



US00D770758S

(12) **United States Design Patent**  
**Chaloux et al.**

(10) **Patent No.:** **US D770,758 S**

(45) **Date of Patent:** **\*\* Nov. 8, 2016**

- (54) **DETACHABLE UMBRELLA MOUNT**
- (71) Applicant: **Shade Cooler LLC**, Milton, GA (US)
- (72) Inventors: **Michael Chaloux**, Milton, GA (US);  
**Leo Mustaki**, Milton, GA (US)
- (73) Assignee: **Shade Cooler LLC**, Milton, GA (US)
- (\*\*) Term: **15 Years**

6,374,839	B2 *	4/2002	Patarra	.....	A45B 3/00	135/16
6,435,469	B1 *	8/2002	Ratcliff	.....	A45F 5/00	248/213.2
D464,190	S *	10/2002	Salahub	.....	D3/10	
6,474,097	B2 *	11/2002	Treppedi	.....	A45C 11/20	280/30
6,536,733	B1 *	3/2003	Sharp	.....	A45B 11/00	248/519
6,554,012	B2 *	4/2003	Patarra	.....	A45B 3/00	135/16
6,708,703	B1 *	3/2004	Rivers	.....	A45B 11/00	135/16

(21) Appl. No.: **29/535,698**

(Continued)

(22) Filed: **Aug. 10, 2015**

**OTHER PUBLICATIONS**

(51) **LOC (10) Cl.** ..... **03-03**

U.S. Appl. No. 14/629,179, Shade Cooler LLC.

(52) **U.S. Cl.**

(Continued)

USPC ..... **D3/10**

(58) **Field of Classification Search**

USPC ..... D3/5, 6, 10, 11, 13, 16; D7/603, 604  
 CPC ..... A47B 65/00; A47B 61/00; A47B 31/06;  
 A47B 5/06; A47B 37/04; A47B 3/12; F16B  
 12/52; A01K 97/10; A47G 33/12; F25D  
 3/08; B60B 35/109; B62B 5/0083  
 See application file for complete search history.

*Primary Examiner* — John Windmuller

*Assistant Examiner* — Steven Czyz

(74) *Attorney, Agent, or Firm* — Sutherland Asbill & Brennan LLP

(57)

**CLAIM**

The ornamental design for a detachable umbrella mount, as shown and described.

(56) **References Cited**

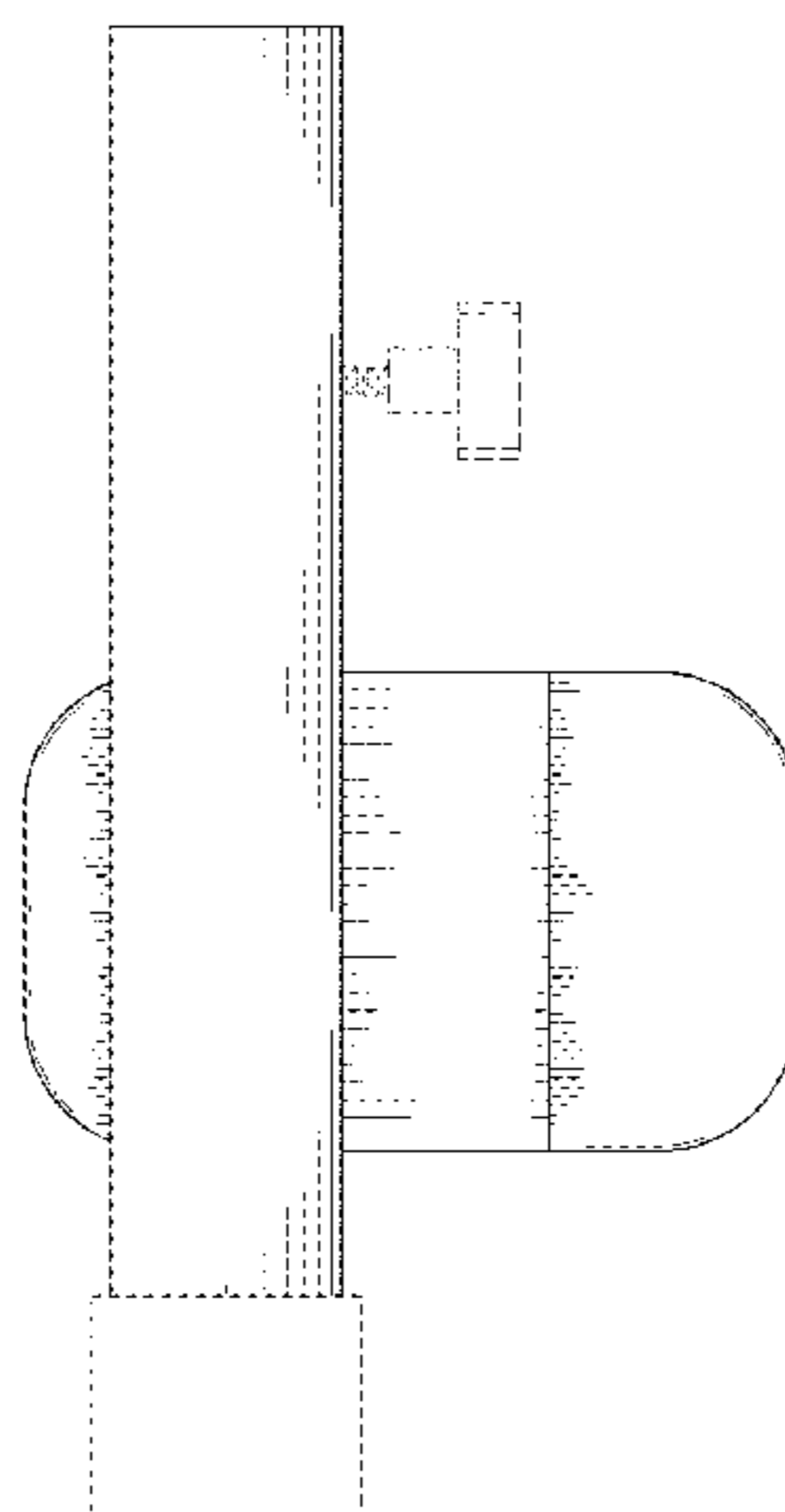
**DESCRIPTION**

**U.S. PATENT DOCUMENTS**

4,296,693	A *	10/1981	Archer	.....	E04H 12/2246	108/28
D283,381	S *	4/1986	Bakker	.....	D3/10	
4,789,200	A *	12/1988	Munguia	.....	A47C 7/66	211/208
5,152,495	A *	10/1992	Jacinto	.....	E04H 12/223	135/98
D352,390	S *	11/1994	Shrum	.....	D3/10	
D361,654	S *	8/1995	Petracco	.....	D29/101.1	
5,480,170	A *	1/1996	Kaiser, II	.....	A47B 31/02	108/80
D389,334	S *	1/1998	Attridge	.....	D3/10	
D413,429	S *	9/1999	Carson	.....	D3/10	
D416,401	S *	11/1999	Taylor	.....	D3/10	
D433,224	S *	11/2000	Cochran, Jr.	.....	D3/10	
6,199,819	B1 *	3/2001	Churillo	.....	A45B 11/00	135/16
D454,682	S *	3/2002	D'Andrea	.....	D3/10	

FIG. 1 is a front view of a detachable umbrella mount according to our new design;  
 FIG. 2 is a top view thereof;  
 FIG. 3 is a bottom view thereof;  
 FIG. 4 is a rear view thereof;  
 FIG. 5 is a left side view thereof;  
 FIG. 6 is a right side view thereof;  
 FIG. 7 is a partial forward top perspective view, shown in use;  
 FIG. 8 is a front view thereof, shown in use;  
 FIG. 9 is a left side view thereof, shown in use; and,  
 FIG. 10 is a right side view thereof, shown in use.  
 The broken lines depict environment and portions of the article that form no part of the claimed design.

**1 Claim, 7 Drawing Sheets**



(56)

References Cited

U.S. PATENT DOCUMENTS

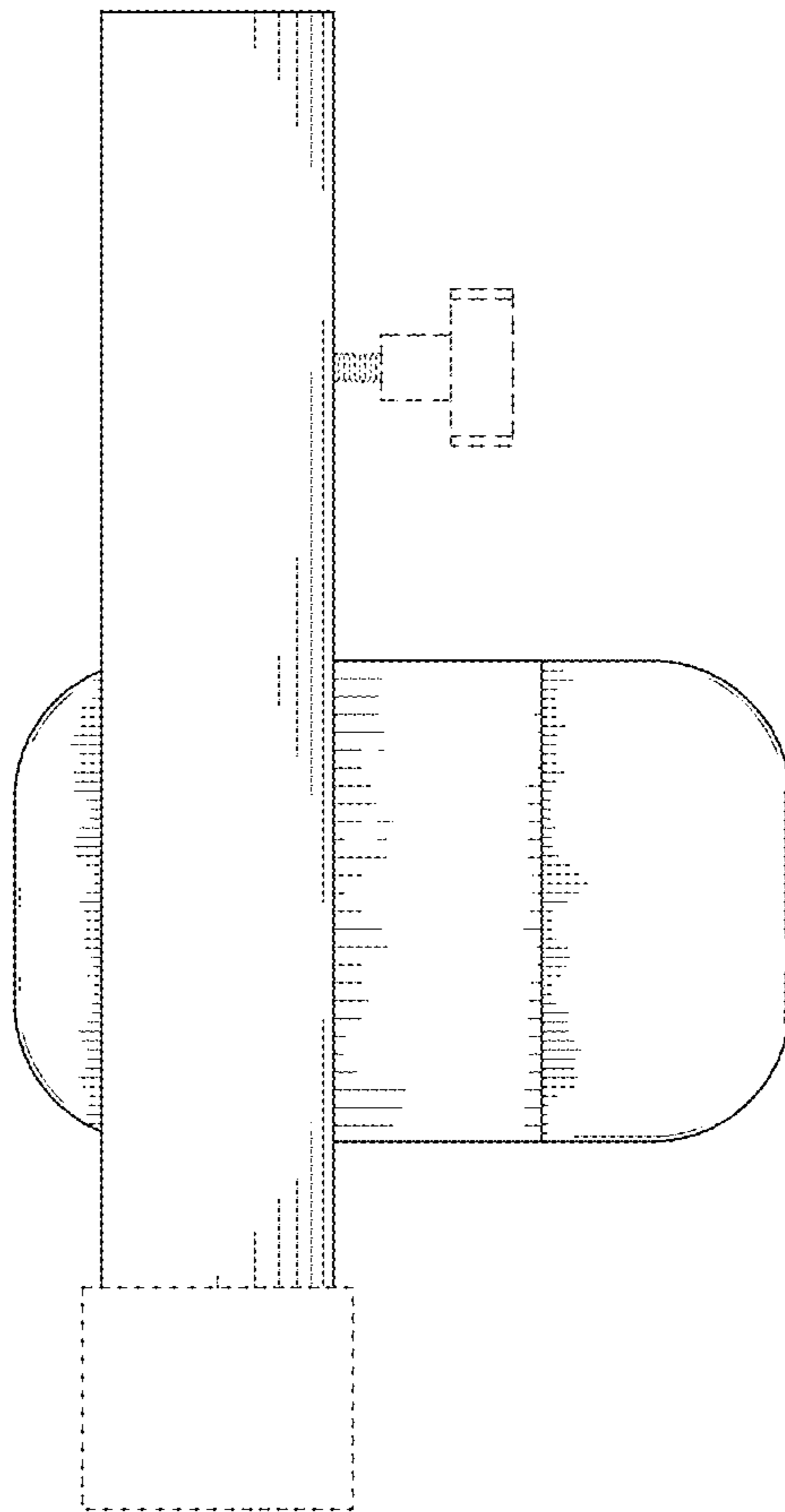
6,796,319 B1 \* 9/2004 Patarra ..... A45B 11/00  
108/138  
D514,891 S \* 2/2006 Garcia ..... D7/605  
6,993,931 B1 \* 2/2006 Hamilton ..... A45B 23/00  
62/371  
7,140,507 B2 \* 11/2006 Maldonado ..... A45C 11/20  
220/23.83  
7,143,601 B1 \* 12/2006 Jimenez ..... F25D 23/12  
135/16  
D609,494 S \* 2/2010 Jenkins, Sr. .... D3/10  
D621,148 S \* 8/2010 Brady ..... D3/10  
D621,149 S \* 8/2010 Brady ..... D3/10  
D623,395 S \* 9/2010 Liao ..... D3/10  
D623,845 S \* 9/2010 Lintott ..... D3/10  
D634,114 S \* 3/2011 Liao ..... D3/10  
D655,531 S \* 3/2012 Gharst ..... D3/10  
D674,245 S \* 1/2013 Williams, Jr. .... D7/605  
8,714,511 B2 \* 5/2014 Zoeteman ..... A45B 23/00  
135/16

D723,262 S \* 3/2015 Macmillan ..... D3/10  
D757,421 S \* 5/2016 Chaloux ..... D3/10  
2001/0013358 A1 \* 8/2001 Patarra ..... A45B 3/00  
135/16  
2007/0096004 A1 \* 5/2007 Quiambao, Jr. .... A45B 11/00  
248/534  
2008/0111046 A1 \* 5/2008 Tung ..... A45B 17/00  
248/521  
2009/0314910 A1 \* 12/2009 Jeanveau ..... A45B 11/00  
248/231.71  
2012/0168598 A1 \* 7/2012 Walker ..... B60R 7/12  
248/539  
2014/0084012 A1 \* 3/2014 LeAnna ..... A45B 3/00  
220/592.16  
2014/0263926 A1 \* 9/2014 LeAnna ..... E04H 12/2284  
248/518

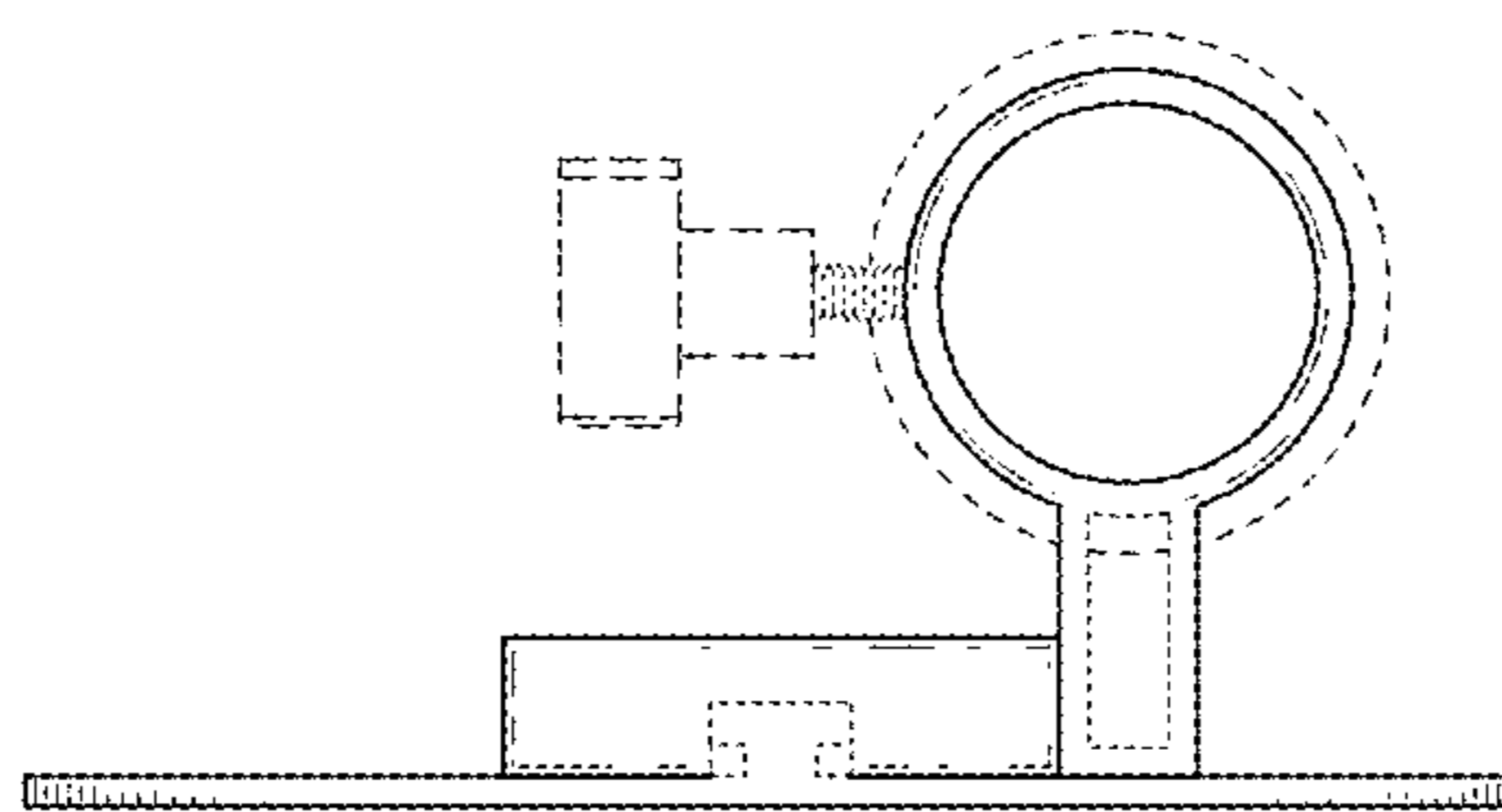
OTHER PUBLICATIONS

U.S. Appl. No. 29/518,385, Shade Cooler LLC.  
U.S. Appl. No. 14/822,097, Shade Cooler LLC.

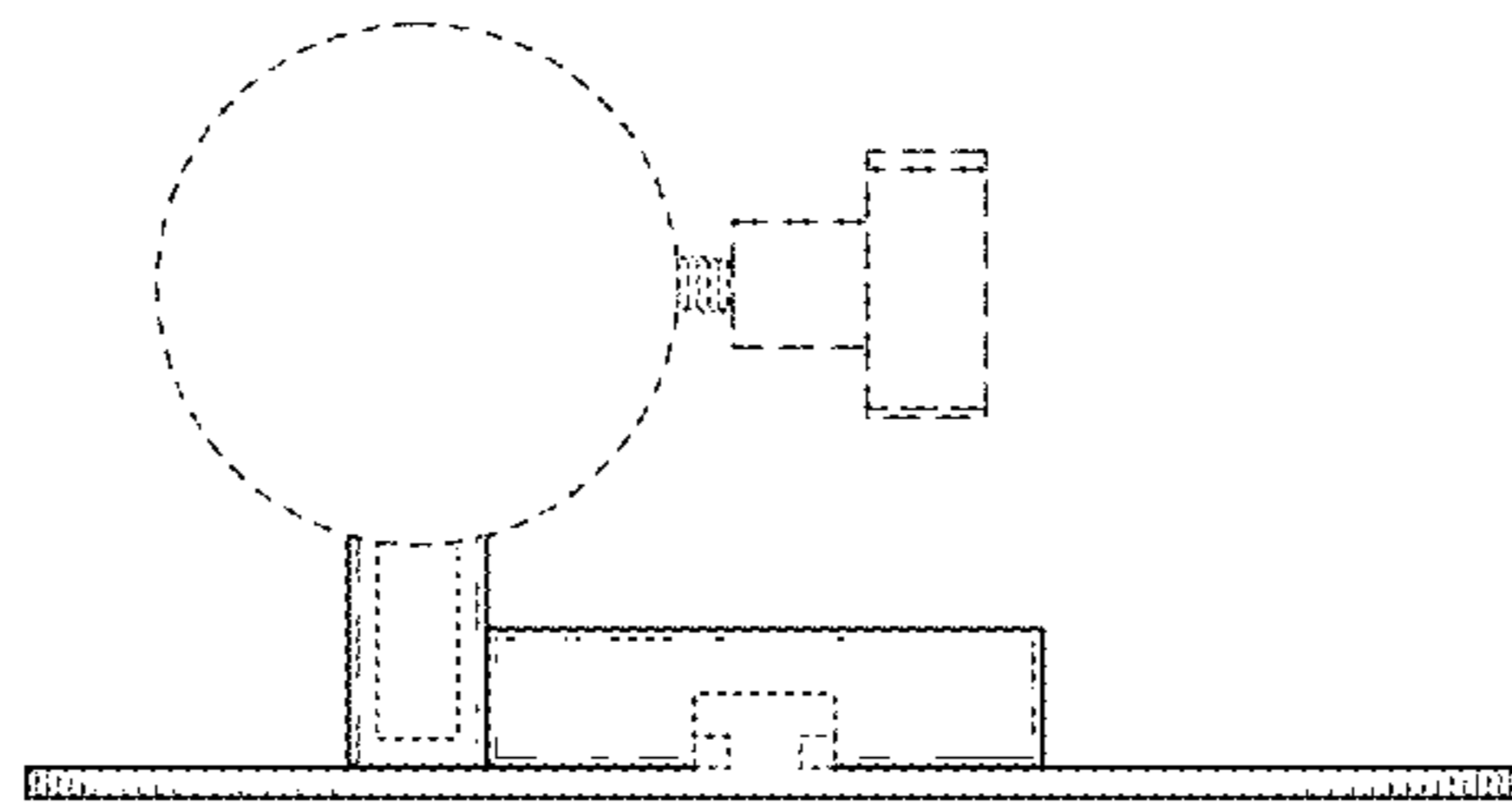
\* cited by examiner



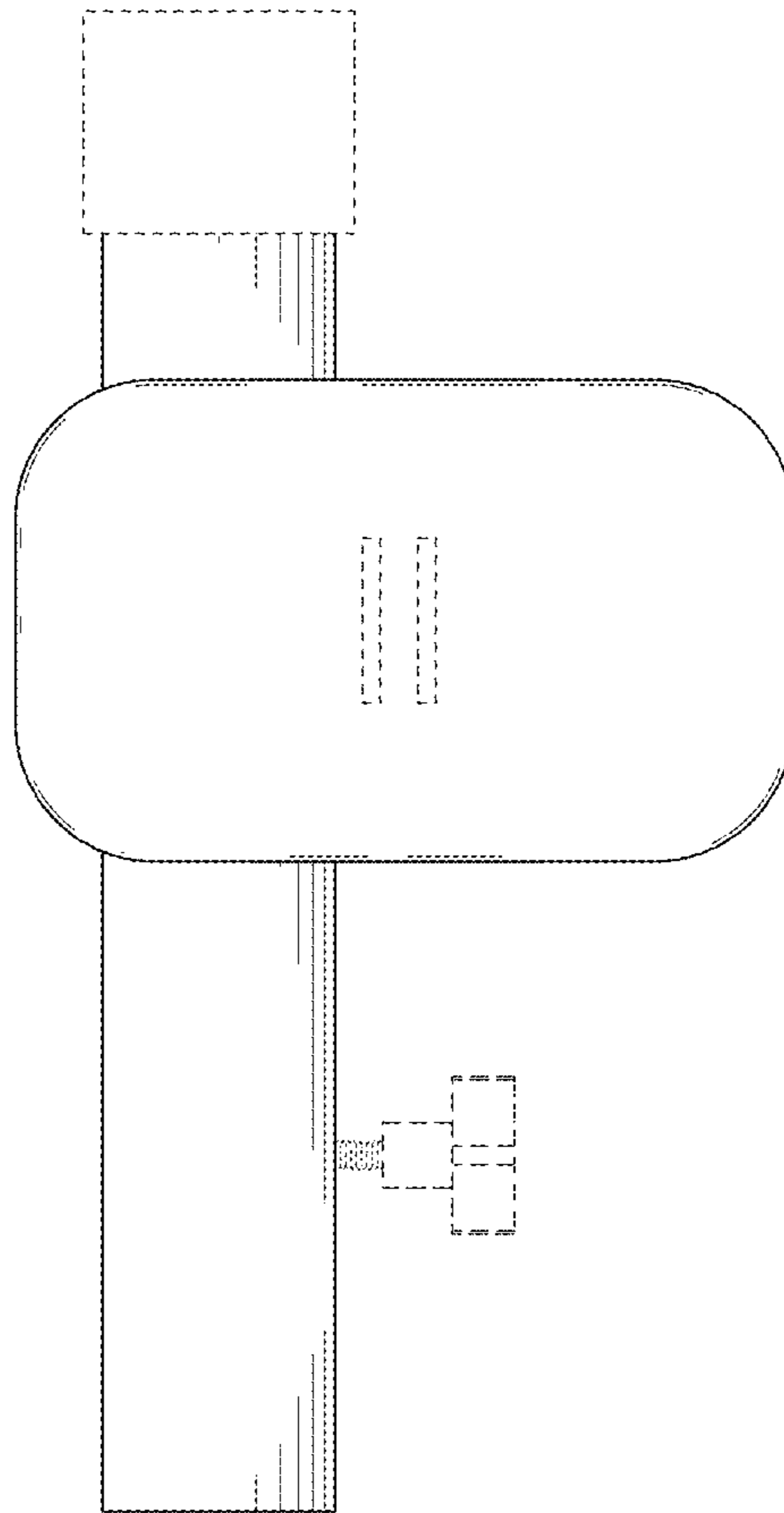
**FIG. 1**



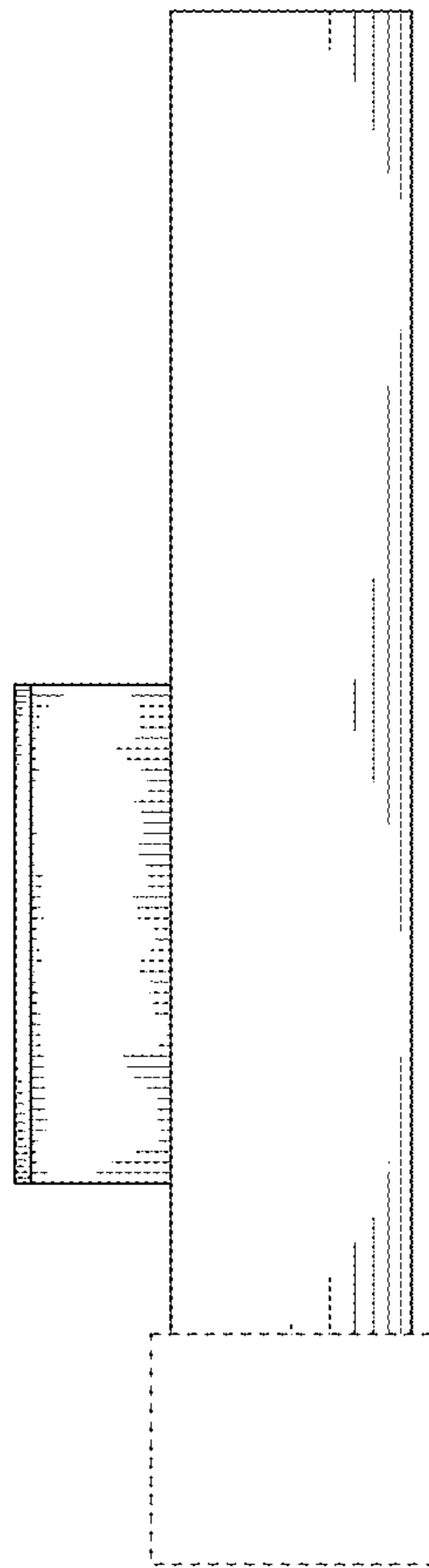
**FIG. 2**



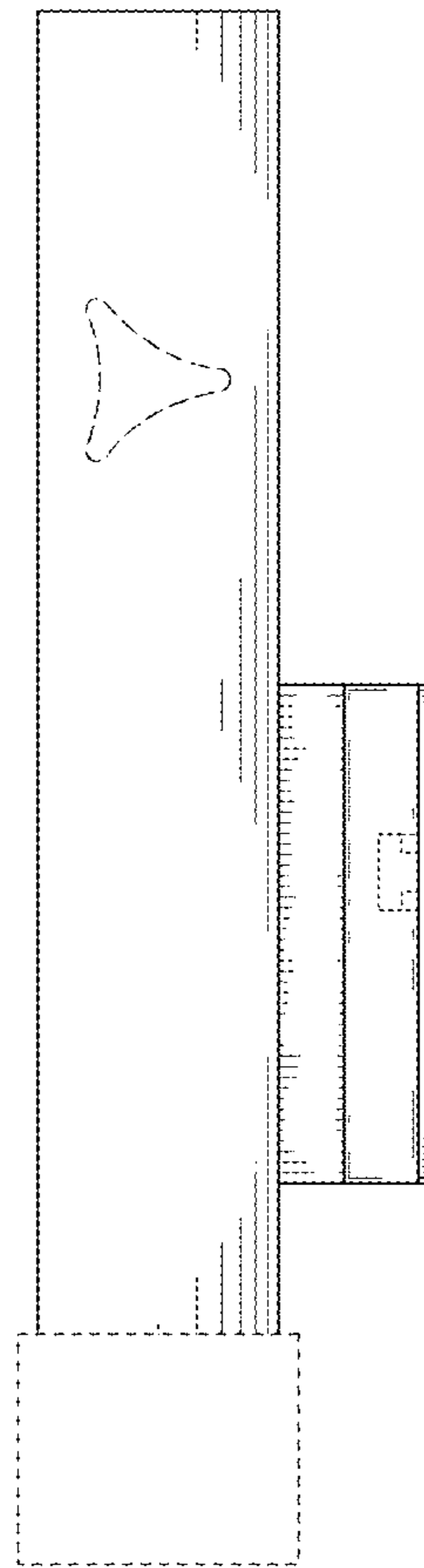
**FIG. 3**



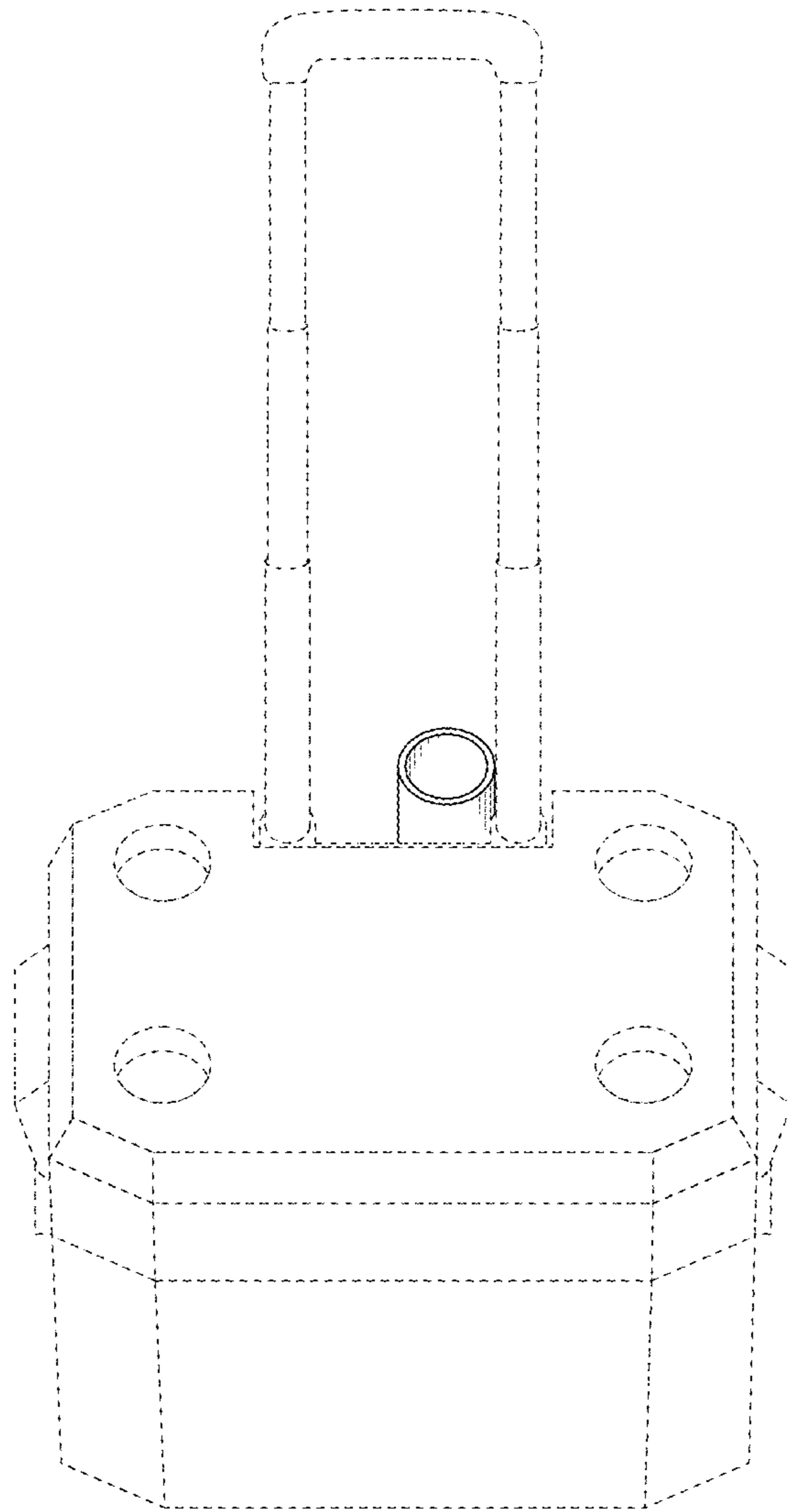
**FIG. 4**



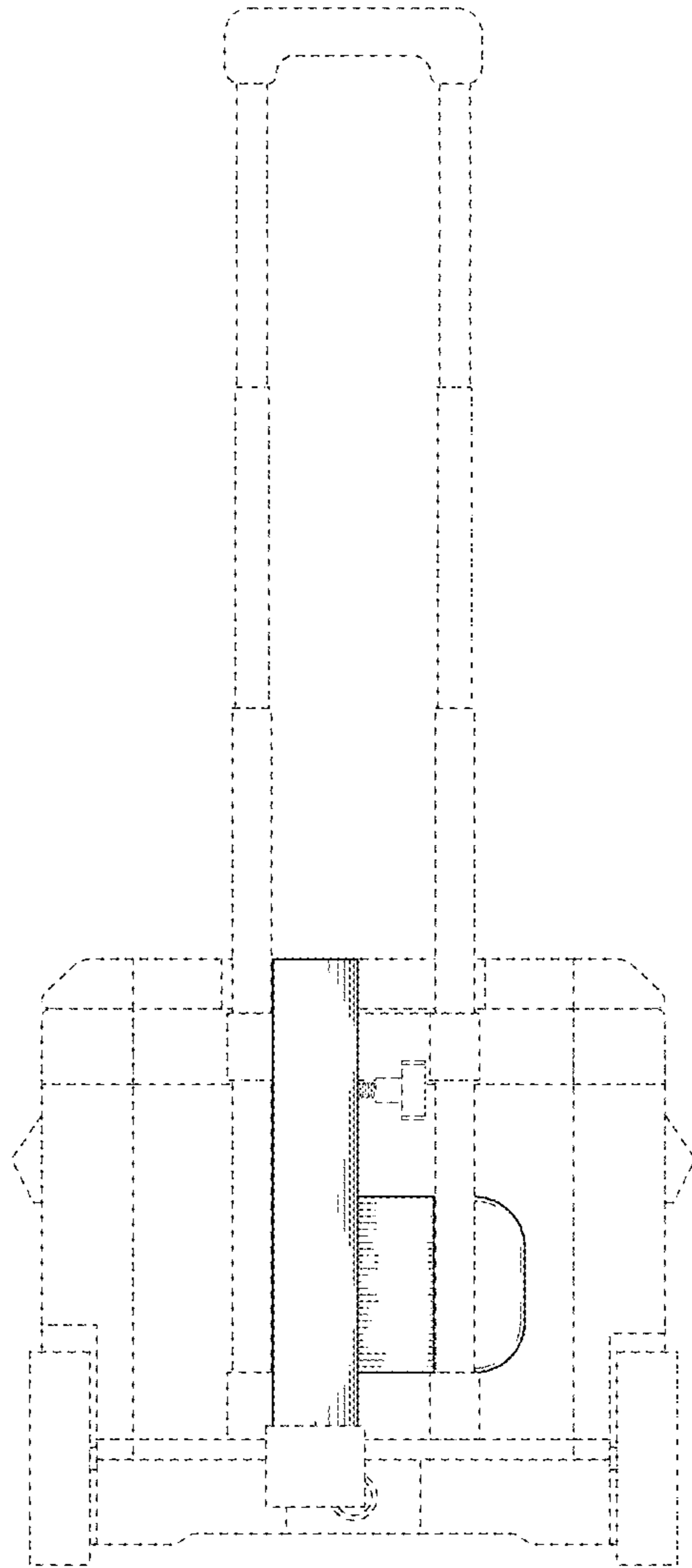
**FIG. 5**



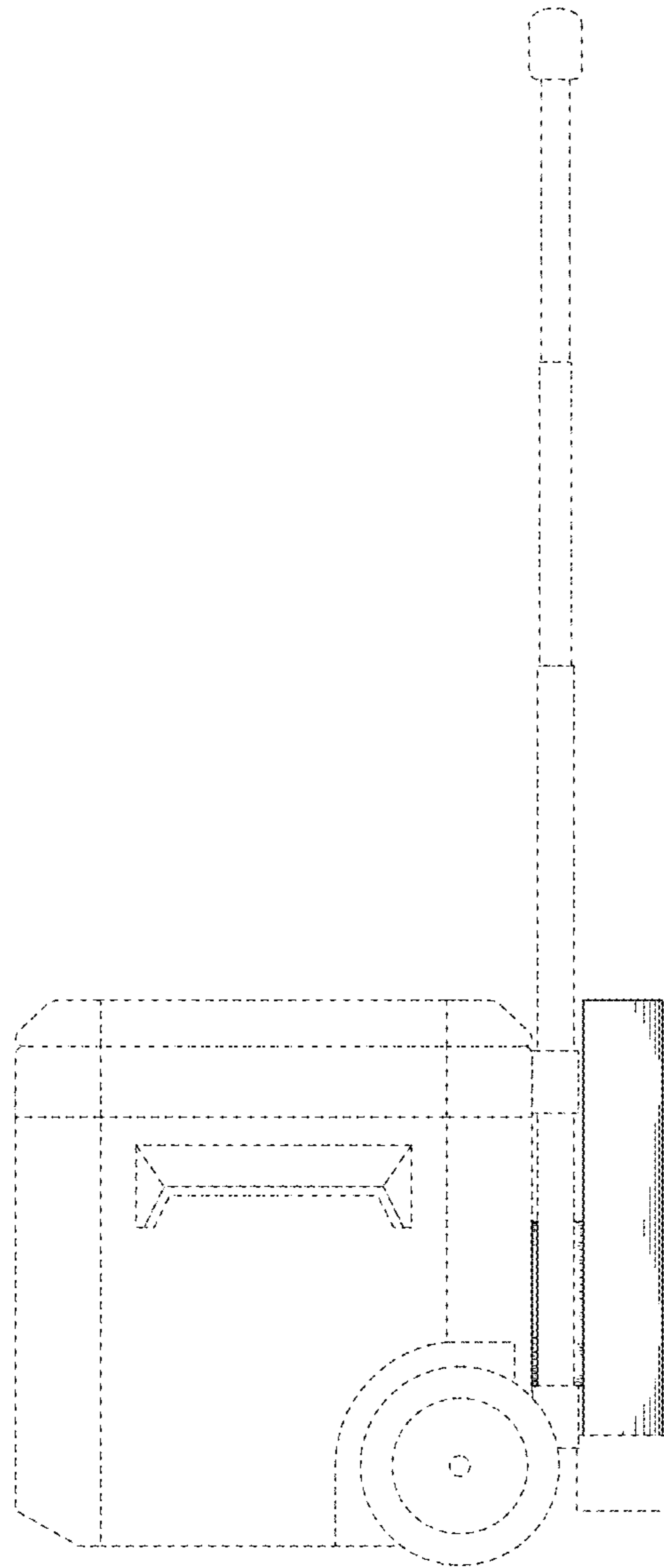
**FIG. 6**



**FIG. 7**

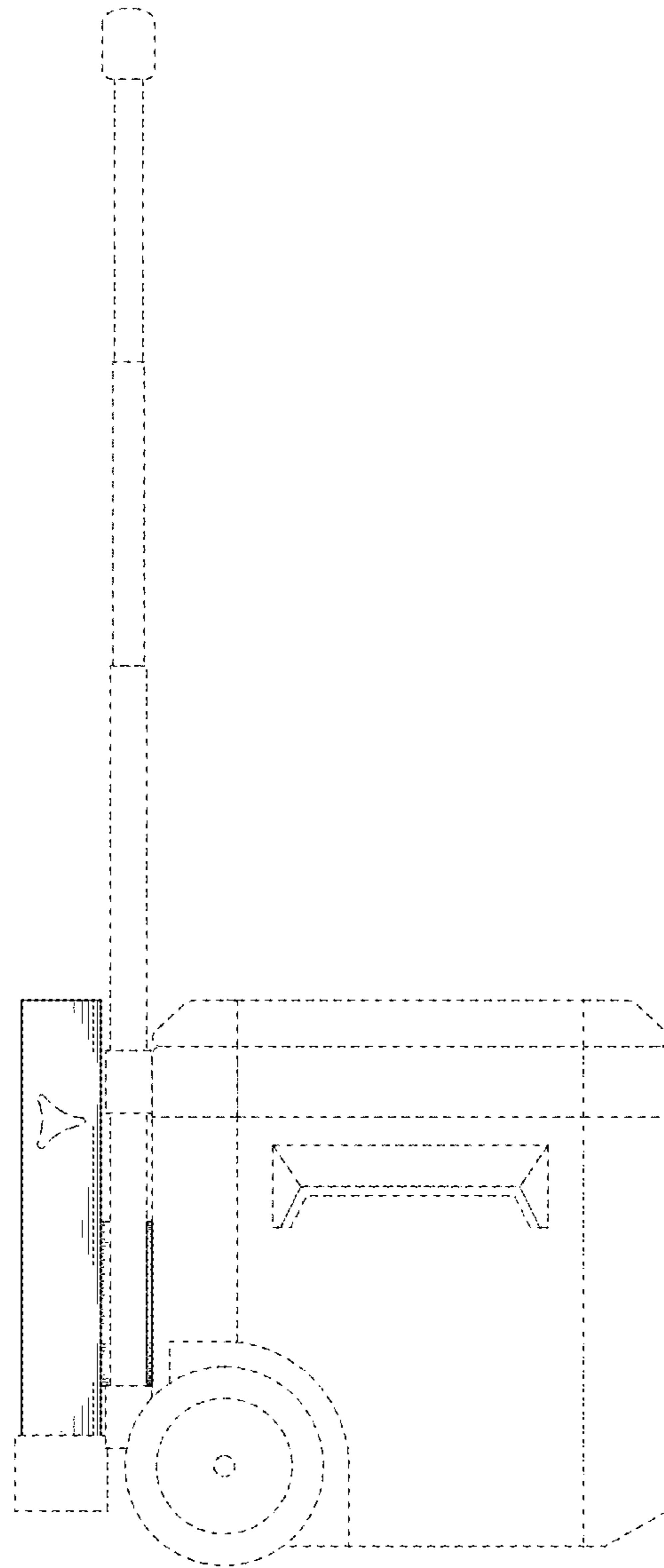


**FIG. 8**



**FIG. 9**





**FIG. 10**