



US00D770757S

(12) **United States Design Patent**
Akin et al.

(10) **Patent No.:** **US D770,757 S**
(45) **Date of Patent:** **** Nov. 8, 2016**

(54) **UMBRELLA WITH SOLAR PANELS**

- (71) Applicant: **ZON**, Manhattan Beach, CA (US)
- (72) Inventors: **Sarah Akin**, Manhattan Beach, CA (US); **David Johnson**, San Francisco, CA (US)
- (73) Assignee: **ZON**, Manhattan Beach, CA (US)
- (**) Term: **14 Years**
- (21) Appl. No.: **29/499,274**
- (22) Filed: **Aug. 13, 2014**

Related U.S. Application Data

- (63) Continuation of application No. 29/487,288, filed on Apr. 7, 2014.
- (51) **LOC (10) Cl.** **03-03**
- (52) **U.S. Cl.**
USPC **D3/10**
- (58) **Field of Classification Search**
USPC D3/10, 6, 5; D25/57; D15/5; D6/548;
D23/411, 413; D13/102; 135/33.2, 16;
101/407.1; 415/119; 416/210 R
CPC B41F 1/26; F04D 29/023; F04D 29/384;
A45B 25/14; A45B 3/04
See application file for complete search history.

(56) **References Cited**

U.S. PATENT DOCUMENTS

- 127,702 A * 6/1872 Nash B41F 1/26
101/407.1
- 1,241,166 A * 9/1917 Swenson F04D 29/023
415/119
- 2,031,466 A * 2/1936 Criqui F04D 29/384
416/210 R
- D151,655 S * 11/1948 Preaus D25/57
- D330,031 S * 10/1992 Bohanon, Sr. D15/5
- D345,645 S * 4/1994 Good D3/5
- D349,397 S * 8/1994 Peng D3/10

(Continued)

FOREIGN PATENT DOCUMENTS

- CN 302500131 * 7/2013
- JP D1442286 * 6/2012
- JP 1469397 * 5/2013

OTHER PUBLICATIONS

SolProX Solar Powered Umbrella, Announced Feb. 28, 2013, [Site Visited Sep. 16, 2013] <http://www.solprox.com/>.*

(Continued)

Primary Examiner — John Windmuller

Assistant Examiner — Luqman McNeil

(74) *Attorney, Agent, or Firm* — Aka Chan LLP

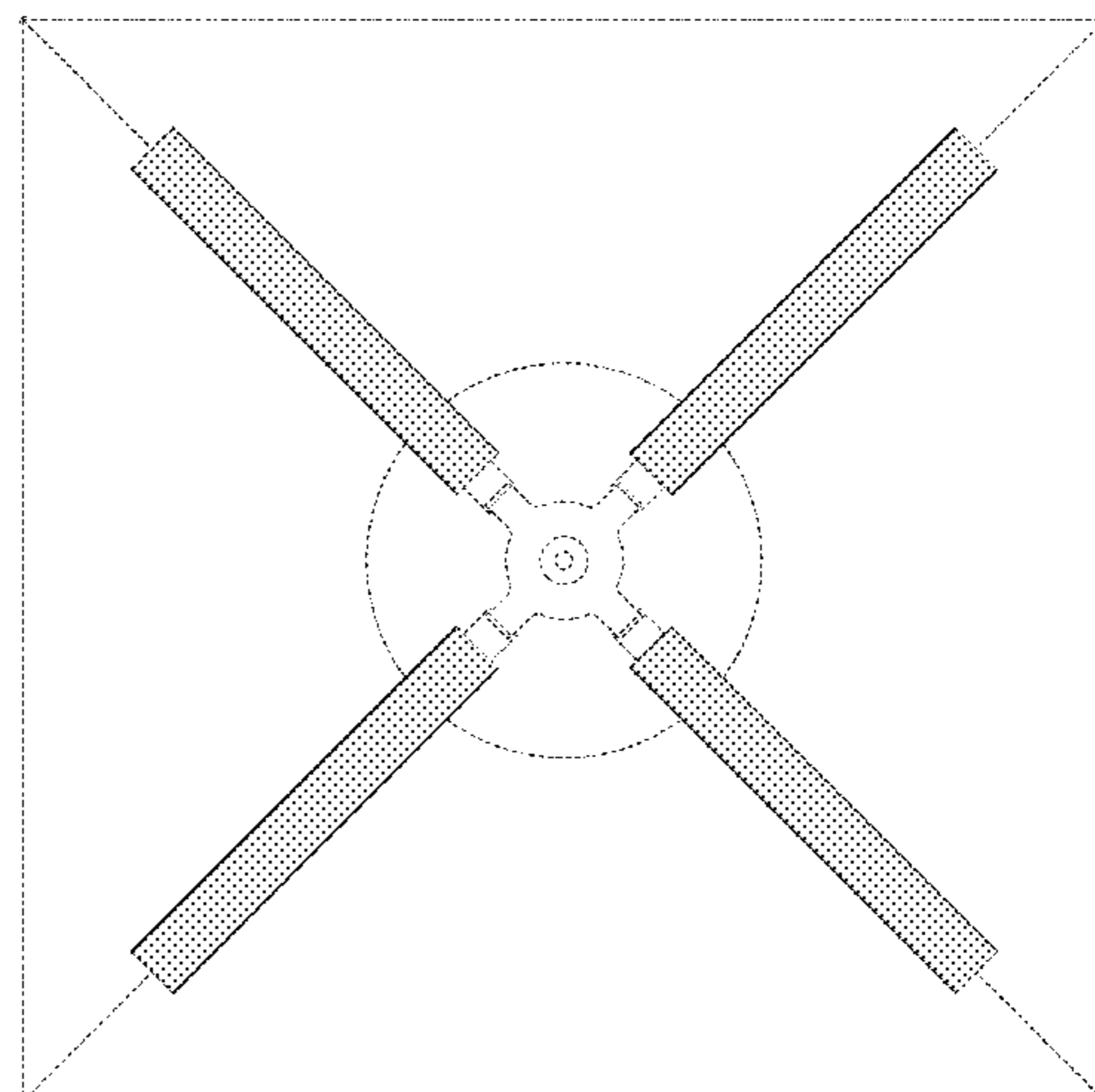
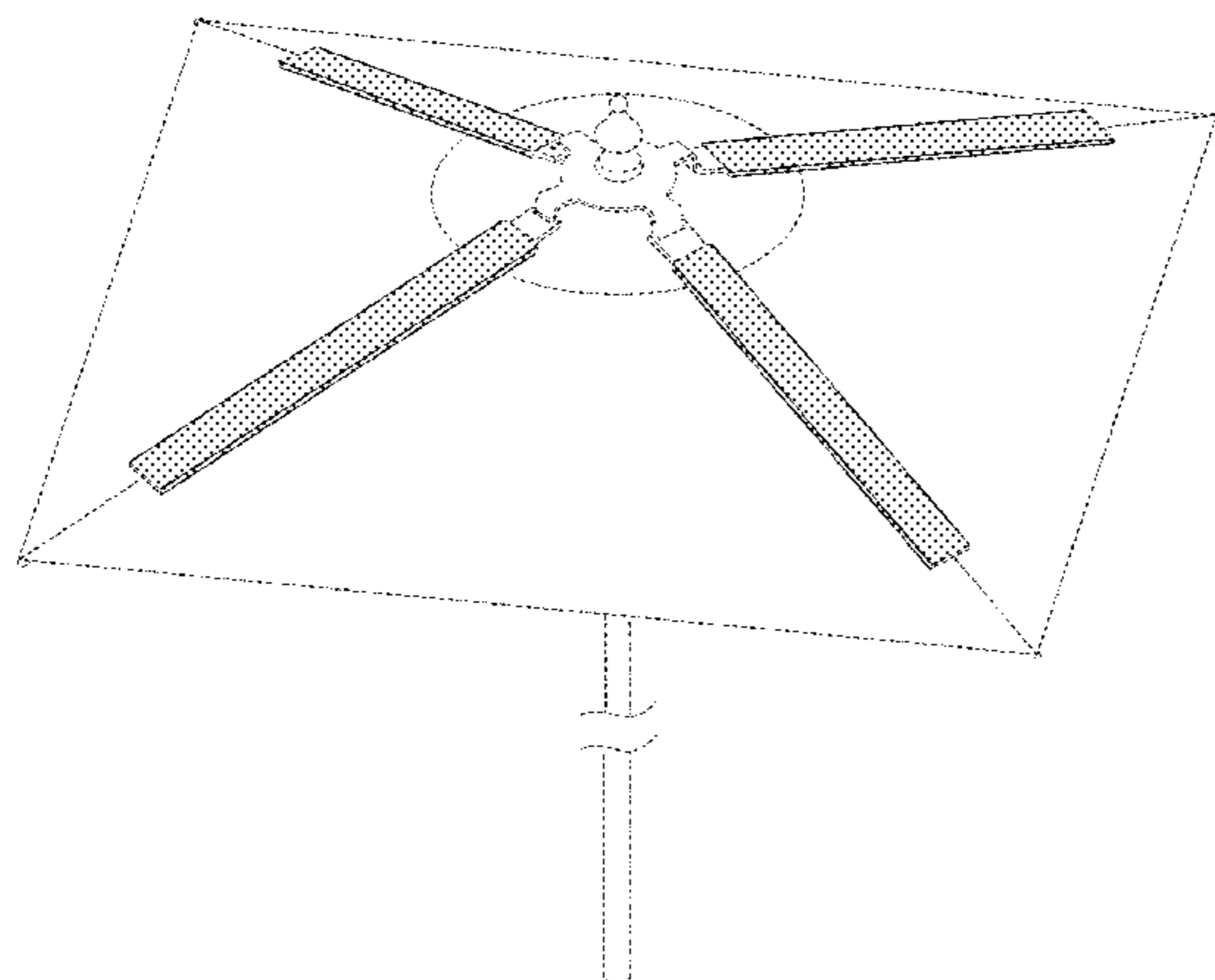
(57) **CLAIM**

The ornamental design for an umbrella with solar panels, as shown and described.

DESCRIPTION

FIG. 1 shows a perspective view of a first embodiment of a design for an umbrella with solar panels.
 FIG. 2 shows a top view of FIG. 1.
 FIG. 3 shows a side view of FIG. 1.
 FIG. 4 shows a perspective view of a second embodiment of a design for an umbrella with solar panels in an open position.
 FIG. 5 shows a top view of FIG. 4.
 FIG. 6 shows a first side view of FIG. 4; and,
 FIG. 7 shows a second side view of FIG. 4, where the umbrella with solar panels is in a closed position.
 The broken line showing is included for the purpose of illustrating environment and forms no part of the claimed design. The gray shading in the figures is surface shading that indicates claimed subject matter. The broken lines and unshaded surfaces form no part of the claimed design.

1 Claim, 6 Drawing Sheets



(56)

References Cited

U.S. PATENT DOCUMENTS

D372,156 S * 7/1996 Botsford D6/548
D373,467 S * 9/1996 Chipman 135/33.2
D418,671 S * 1/2000 Tsai D3/6
D460,549 S * 7/2002 Sonneman D23/411
D485,347 S * 1/2004 Bucher D23/377
D510,426 S * 10/2005 Garcia, Jr. D23/411
D510,624 S * 10/2005 Graham D23/413
D527,097 S * 8/2006 Ertze D23/413
D594,551 S * 6/2009 Parker D23/413
D597,198 S * 7/2009 Parker D23/413
D599,469 S * 9/2009 Yang D23/411
D615,183 S * 5/2010 Parker D23/413
D627,148 S * 11/2010 Quinn D3/5
D649,303 S * 11/2011 Falk D30/146
D655,531 S * 3/2012 Gharst D3/10

8,360,079 B2 * 1/2013 Li A45B 3/04
135/16
D686,980 S * 7/2013 Fallon D13/102
2011/0232704 A1 * 9/2011 Li A45B 25/14
135/16

OTHER PUBLICATIONS

Solar Paneled Umbrella Will Charge Your Gadget While you Hang
in The Sun, Announced May 28, 2009, [Site Visited Sep. 16, 2015
] <http://www.engadget.com/2009/05/28/solar-paneled-umbrella-will-charge-your-gadgets-while-you-hang-i/>.
Wind Energy: Wind Turbines with Solar Panel, Announced Apr. 30,
2013, [Site Visited Sep. 16, 2015]<http://easywindenergy.blogspot.com/2013/04/wind-turbines-with-solar-panel.html>.*

* cited by examiner

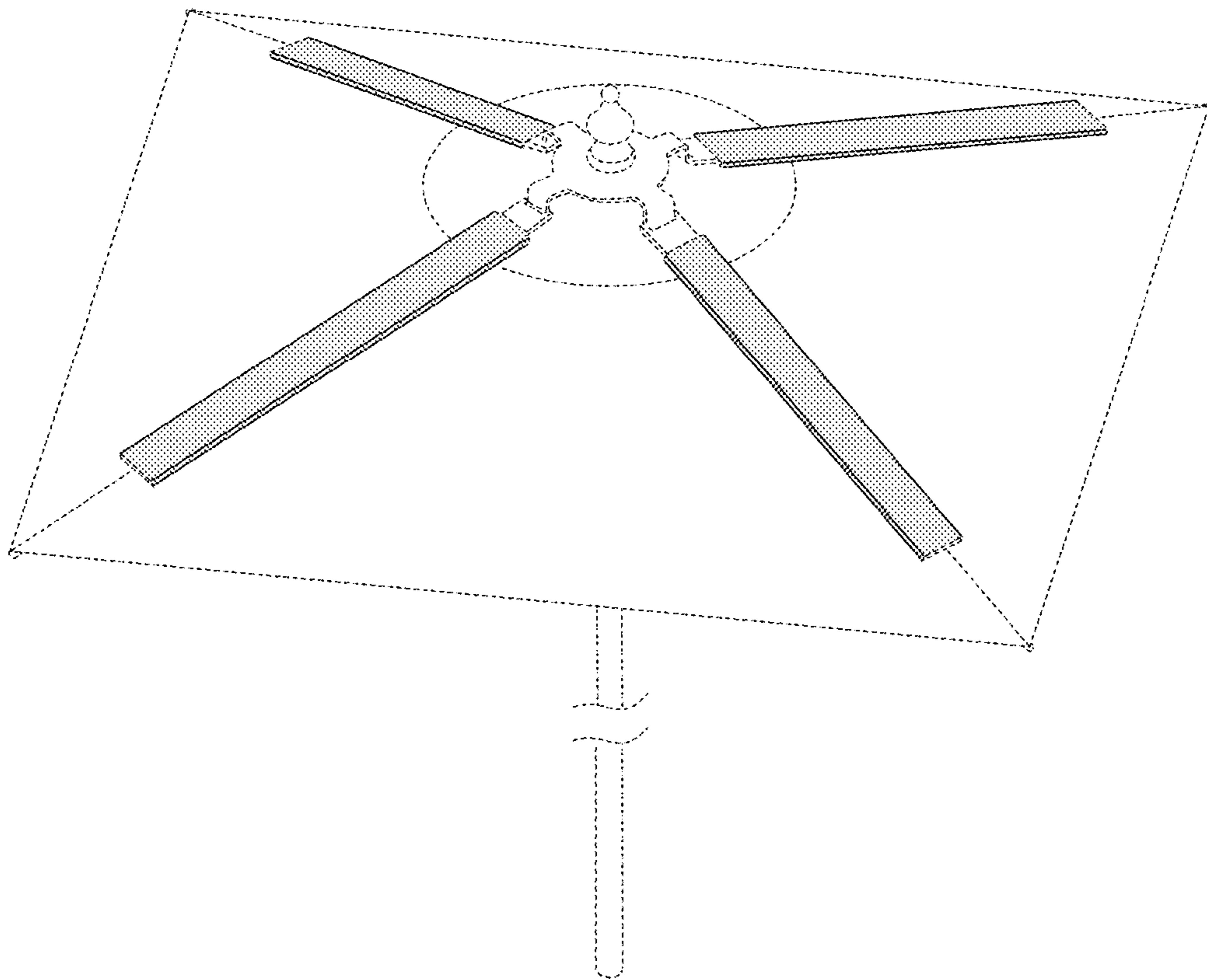


FIG. 1

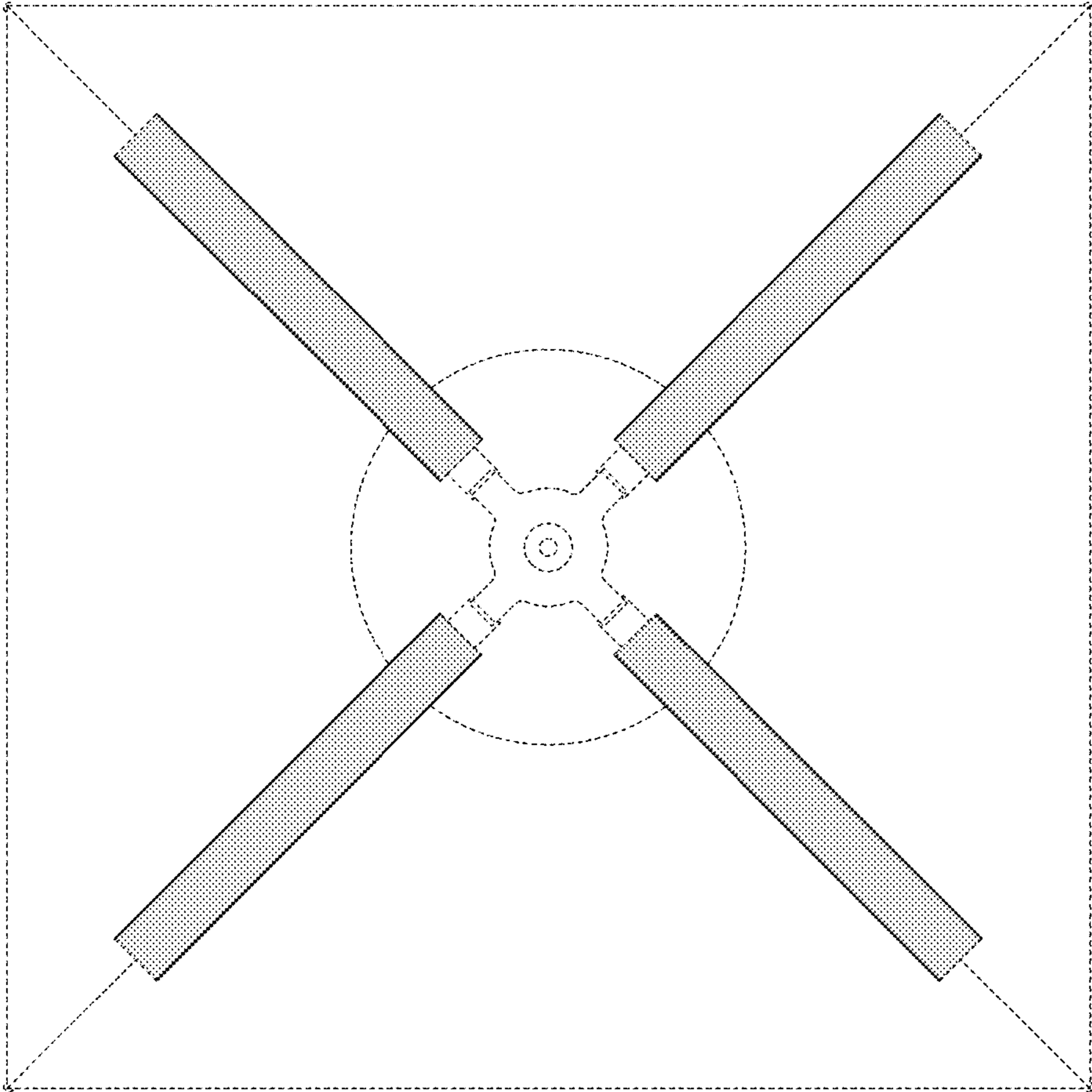


FIG. 2

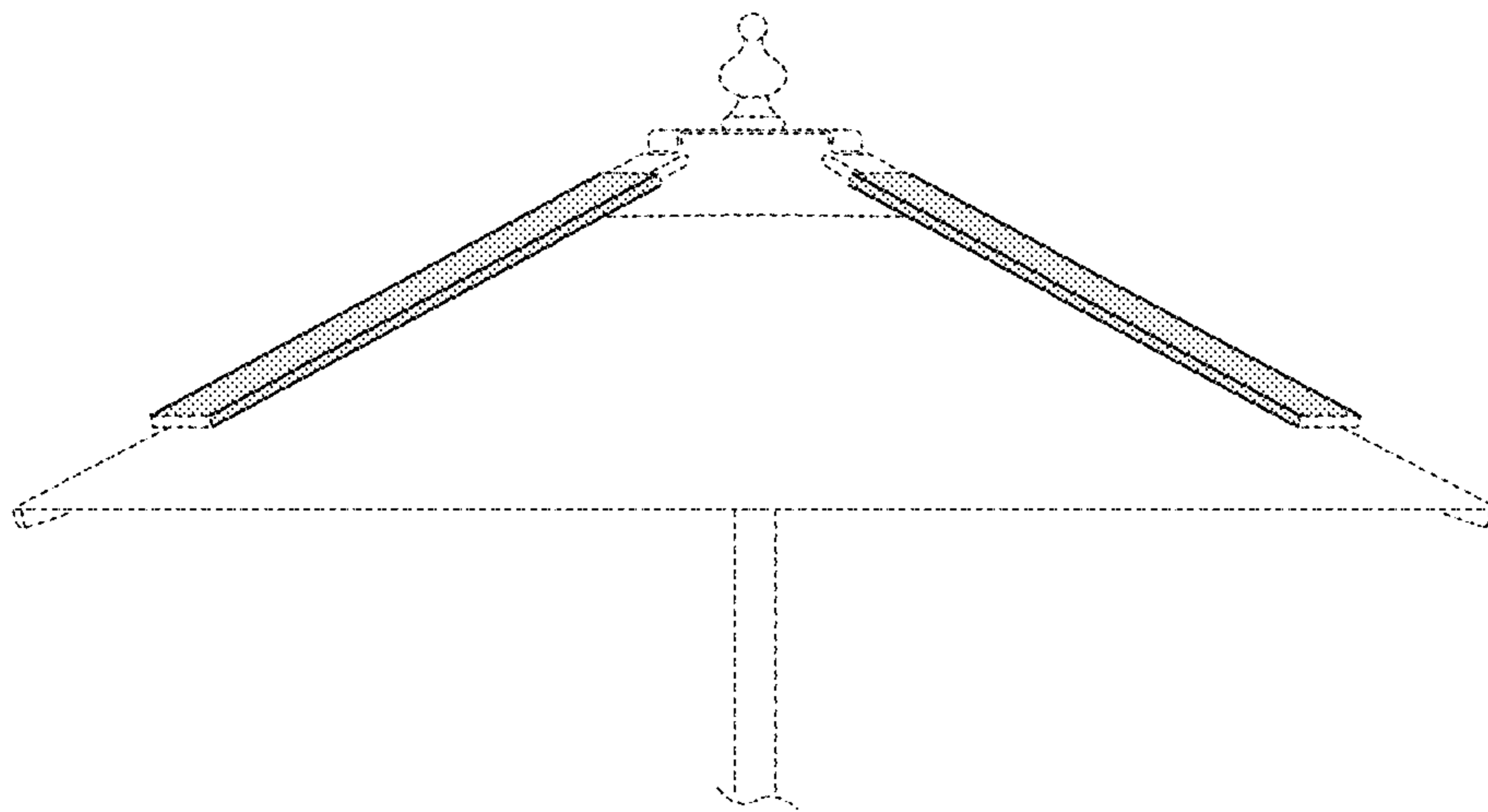


FIG. 3

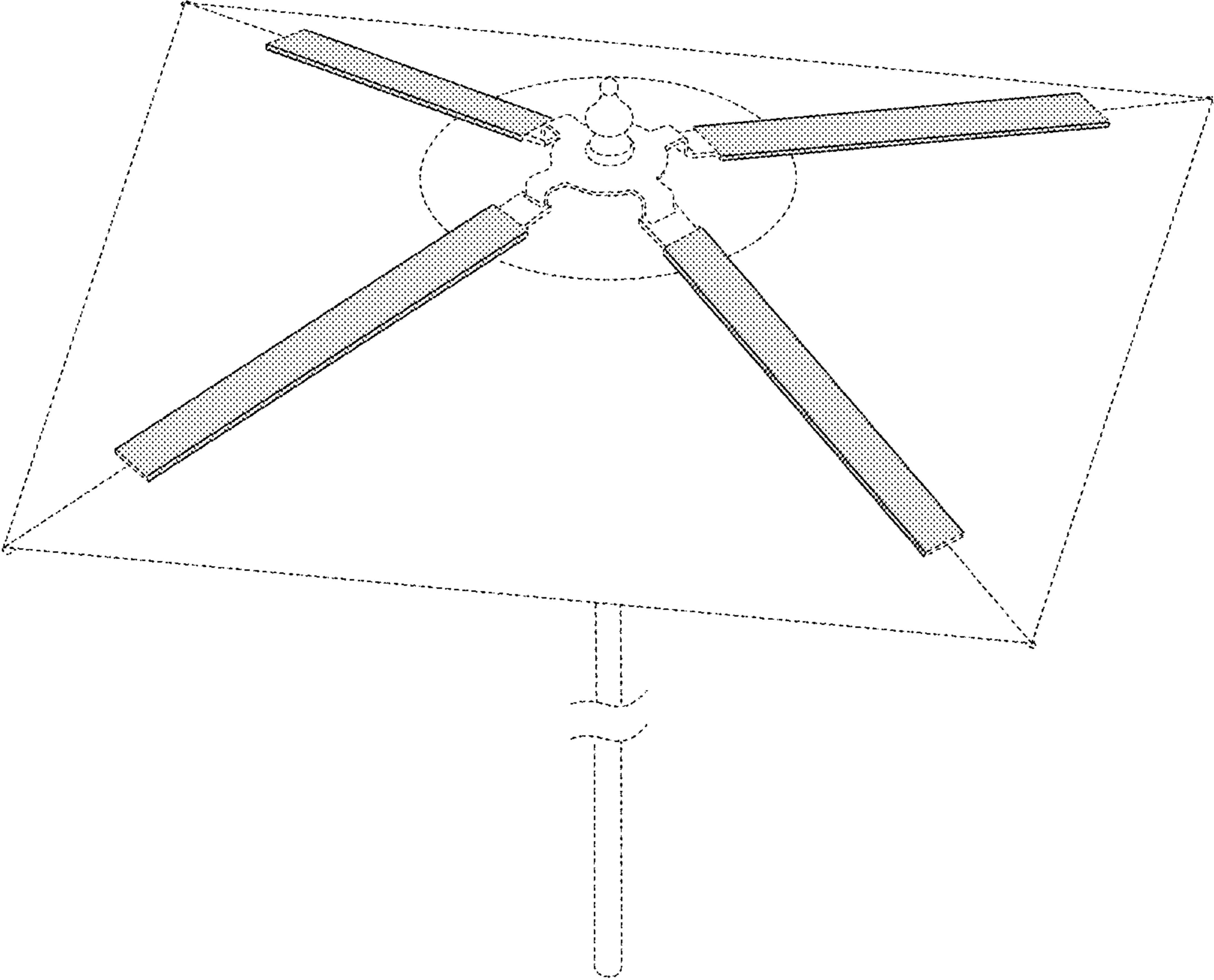


FIG. 4

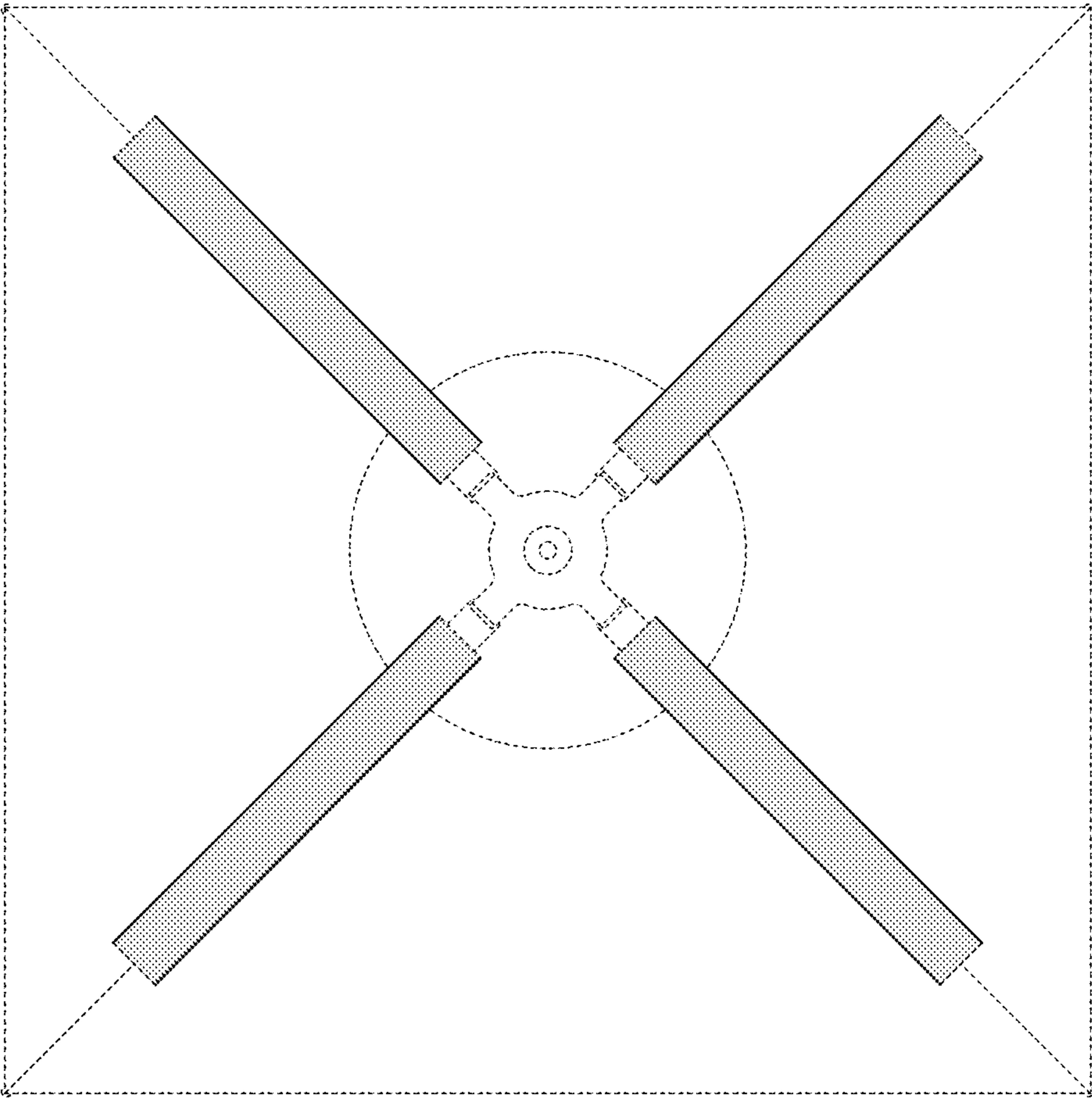


FIG. 5

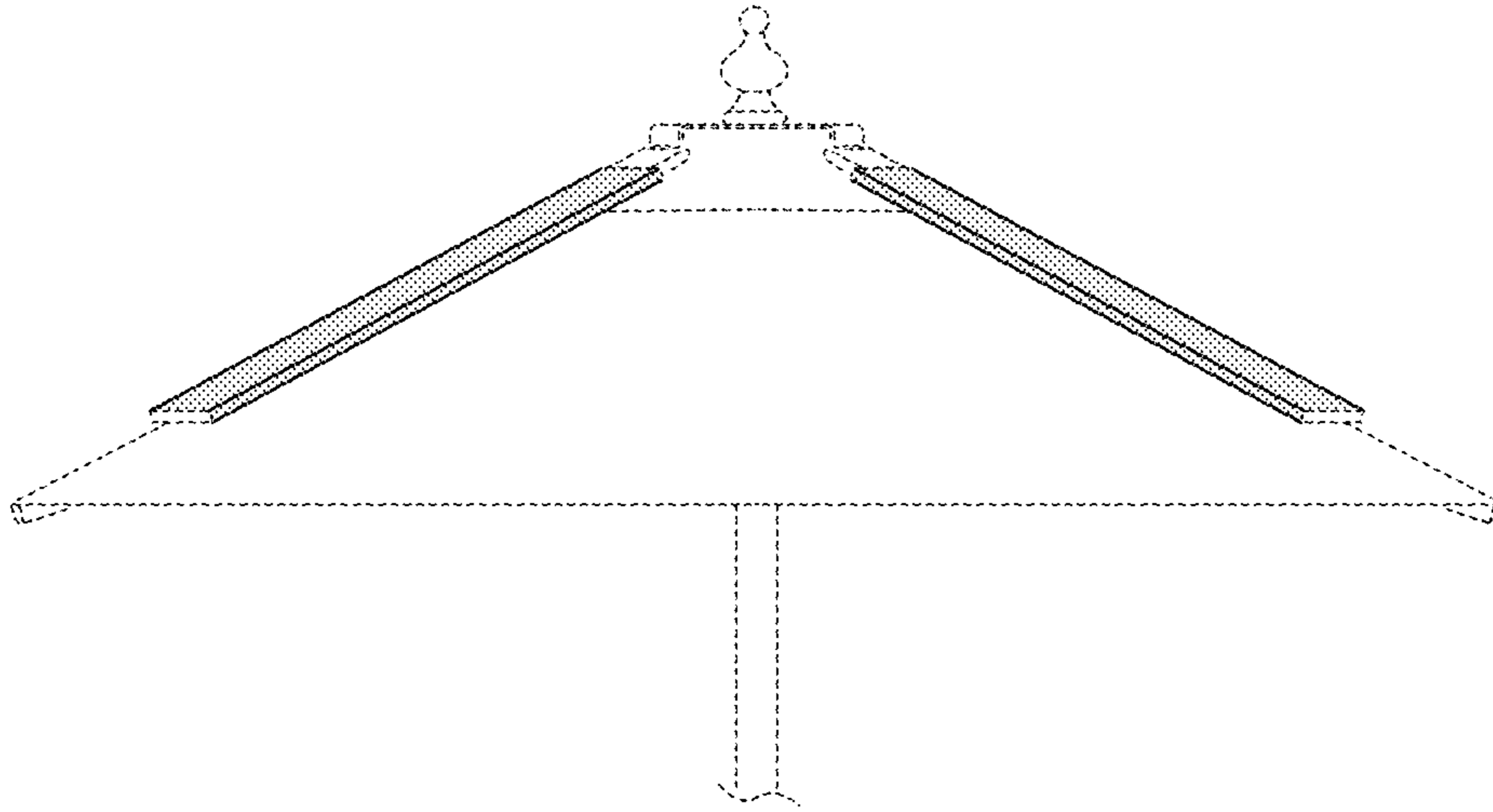


FIG. 6

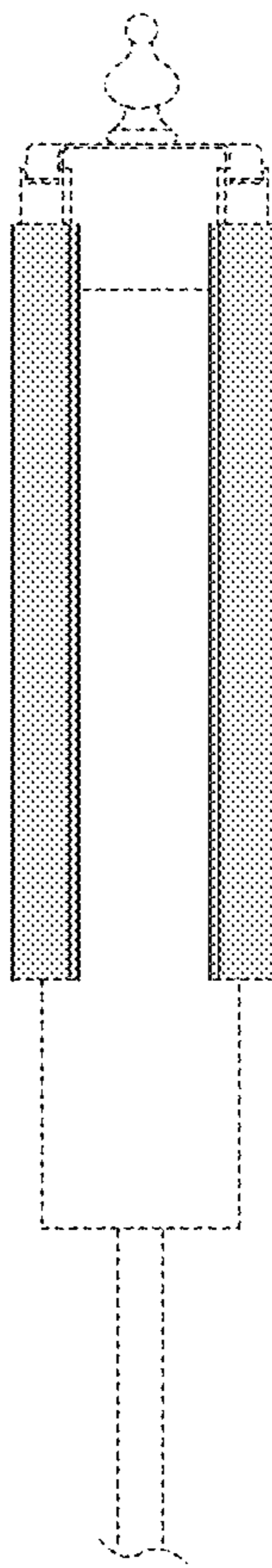


FIG. 7