



US00D770756S

(12) **United States Design Patent**
Akin et al.

(10) **Patent No.:** **US D770,756 S**
(45) **Date of Patent:** **** Nov. 8, 2016**

(54) **UMBRELLA WITH SOLAR PANELS**

(71) Applicant: **ZON**, Manhattan Beach, CA (US)
(72) Inventors: **Sarah Akin**, Manhattan Beach, CA (US); **David Johnson**, San Francisco, CA (US)

(73) Assignee: **ZON**, Manhattan Beach, CA (US)

(**) Term: **14 Years**

(21) Appl. No.: **29/487,288**

(22) Filed: **Apr. 7, 2014**

(51) **LOC (10) Cl.** **03-03**

(52) **U.S. Cl.**
USPC **D3/5**

(58) **Field of Classification Search**
USPC 101/407.1; 415/119; 416/210 R;
D25/57; D15/5; D3/5, 10, 6; D23/377,
D23/411, 413, 385; D6/548; 135/33.2, 16;
320/101; D32/54; D30/146; D13/102
CPC B41F 1/26; F04D 29/23; F04D 29/384;
A45B 23/00; A45B 3/04; A45B 3/00; A45B
25/14; H01M 10/465; A45C 5/03; H05K
7/1432

See application file for complete search history.

(56) **References Cited**

U.S. PATENT DOCUMENTS

- 127,702 A * 6/1872 Nash B41F 1/26
101/407.1
- 1,241,166 A * 9/1917 Swenson F04D 29/023
415/119
- 2,031,466 A * 2/1936 Criqui F04D 29/384
416/210 R
- D151,655 S * 11/1948 Preaus D25/57
- D330,031 S * 10/1992 Bohanon, Sr. D15/5
- D345,645 S * 4/1994 Good D3/5
- D349,336 S * 8/1994 Tsuji D23/377
- D349,397 S * 8/1994 Peng D3/10
- D372,156 S * 7/1996 Botsford D6/548
- D373,467 S * 9/1996 Chipman 135/33.2
- D418,671 S * 1/2000 Tsai D3/6

(Continued)

FOREIGN PATENT DOCUMENTS

CN	302500131	*	7/2013
JP	D1246398	*	8/2005
JP	D1486427	*	12/2013

OTHER PUBLICATIONS

SolProX : Solar Powered Umbrella, Announced Feb. 28, 2013, [Site Visited Apr. 27, 2016] <http://www.solprox.com/>.*

(Continued)

Primary Examiner — John Windmuller

Assistant Examiner — Luqman McNeil

(74) *Attorney, Agent, or Firm* — Aka Chan LLP

(57) **CLAIM**

The ornamental design for umbrella with solar panels, as shown and described.

DESCRIPTION

This application incorporates by reference U.S. patent applications Ser Nos. 29/484,513 and 29/484,514, filed Mar. 10, 2014, which are continuations of U.S. patent application Ser No. 29/467,880, filed Sep. 24, 2013, along with U.S. patent application Ser No. 29/468,004, filed Sep. 25, 2013, which is a continuation of U.S. patent application Ser No. 29/461,658, filed Jul. 26, 2013, issued as U.S. Pat. No. D693,560 on Nov. 19, 2013, which is also incorporated by reference.

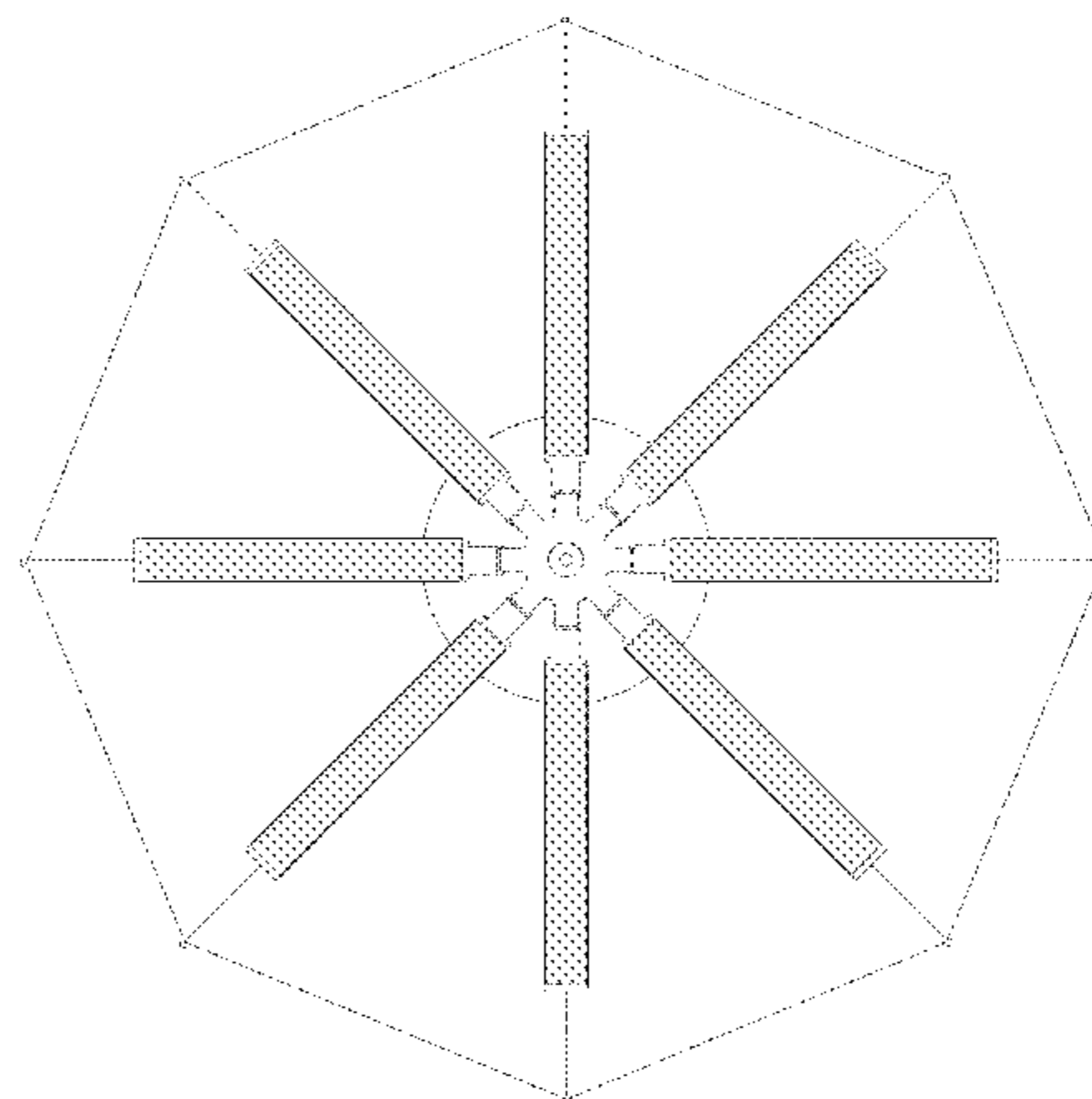
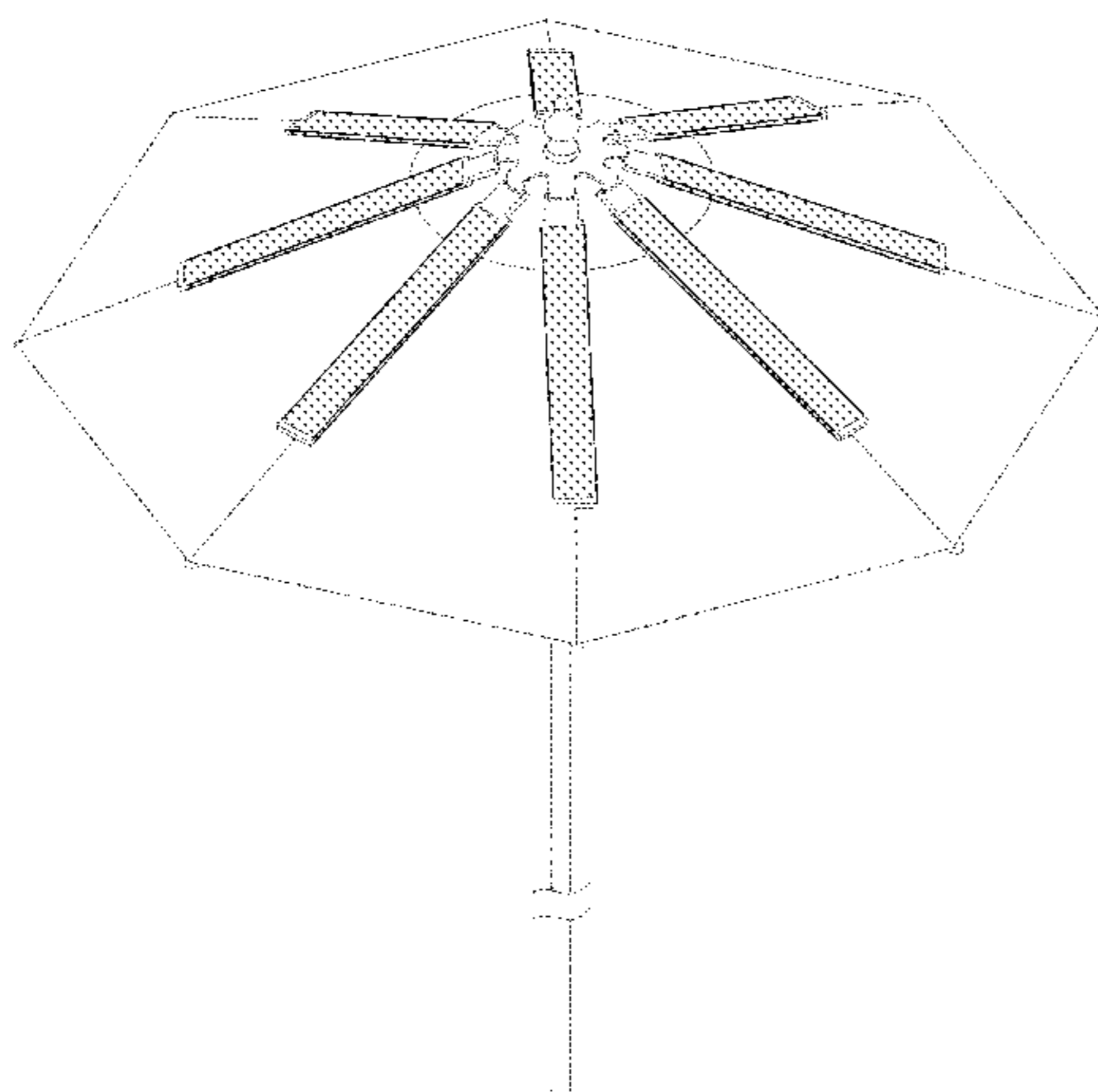
FIG. 1 is a perspective view of a design for an umbrella with solar panels,

FIG. 2 is a top view thereof; and,

FIG. 3 is a side view thereof.

The broken lines in the figures depict portions of the umbrella with solar panels that form no part of the claimed design. The gray shading in the figures is surface shading that indicates claimed subject matter. The broken lines and unshaded surfaces form no part of the claimed design.

1 Claim, 3 Drawing Sheets



(56)

References Cited

U.S. PATENT DOCUMENTS

D460,549 S * 7/2002 Sonneman D23/411
 D482,117 S * 11/2003 Friedes D23/413
 D485,347 S * 1/2004 Bucher D23/377
 D510,426 S * 10/2005 Garcia, Jr. D23/411
 D510,624 S * 10/2005 Graham D23/413
 7,000,624 B2 * 2/2006 Chang A45B 3/04
 135/16
 7,013,903 B2 * 3/2006 Li A45B 3/00
 135/16
 D527,097 S * 8/2006 Ertze D23/413
 D566,258 S * 4/2008 Bucher D23/377
 D592,371 S * 5/2009 Dellinger D32/54
 D594,551 S * 6/2009 Parker D23/413
 D597,198 S * 7/2009 Parker D23/413
 D599,469 S * 9/2009 Yang D23/411
 D615,183 S * 5/2010 Parker D23/413
 D627,148 S * 11/2010 Quinn D3/5
 D628,687 S * 12/2010 Yao D23/377
 D649,303 S * 11/2011 Falk D30/146
 D655,531 S * 3/2012 Gharst D3/10
 D660,953 S * 5/2012 Allen D23/377
 D668,443 S * 10/2012 Sims, II D3/5
 8,360,079 B2 * 1/2013 Li A45B 3/04
 135/16
 D686,980 S * 7/2013 Fallon D13/102
 D701,828 S * 4/2014 Garrett-Schesch D13/102

8,695,614 B2 * 4/2014 Chaimovski A45B 23/00
 135/16
 D712,533 S * 9/2014 Allen D23/385
 D719,252 S * 12/2014 Allen D23/385
 2005/0161067 A1 * 7/2005 Hollins A45B 23/00
 135/16
 2009/0007958 A1 * 1/2009 Ho H01M 10/465
 136/245
 2009/0058354 A1 * 3/2009 Harrison A45B 3/00
 320/101
 2011/0232704 A1 * 9/2011 Li A45B 25/14
 135/16
 2011/0291607 A1 * 12/2011 Rossi A45C 5/03
 320/101
 2012/0162929 A1 * 6/2012 Huang H05K 7/1432
 361/728

OTHER PUBLICATIONS

Solar Paneled Umbrella Will Charge your Gadgets While You hang
 in the Sun, Announced May 28, 2009,[Site Visited Apr. 27, 2016]
<http://www.engadget.com/2009/05/28/solar-paneled-umbrella-will-charge-your-gadgets-while-you-hang-i/>.*
 Wind Turbines with Solar Panel—Wind Energy, Announced Apr.
 20, 2013, [Site Visited Apr. 27, 2016] <http://easywindenergy.blogspot.com/2013/04/wind-turbines-with-solar-panel.html>.*

* cited by examiner

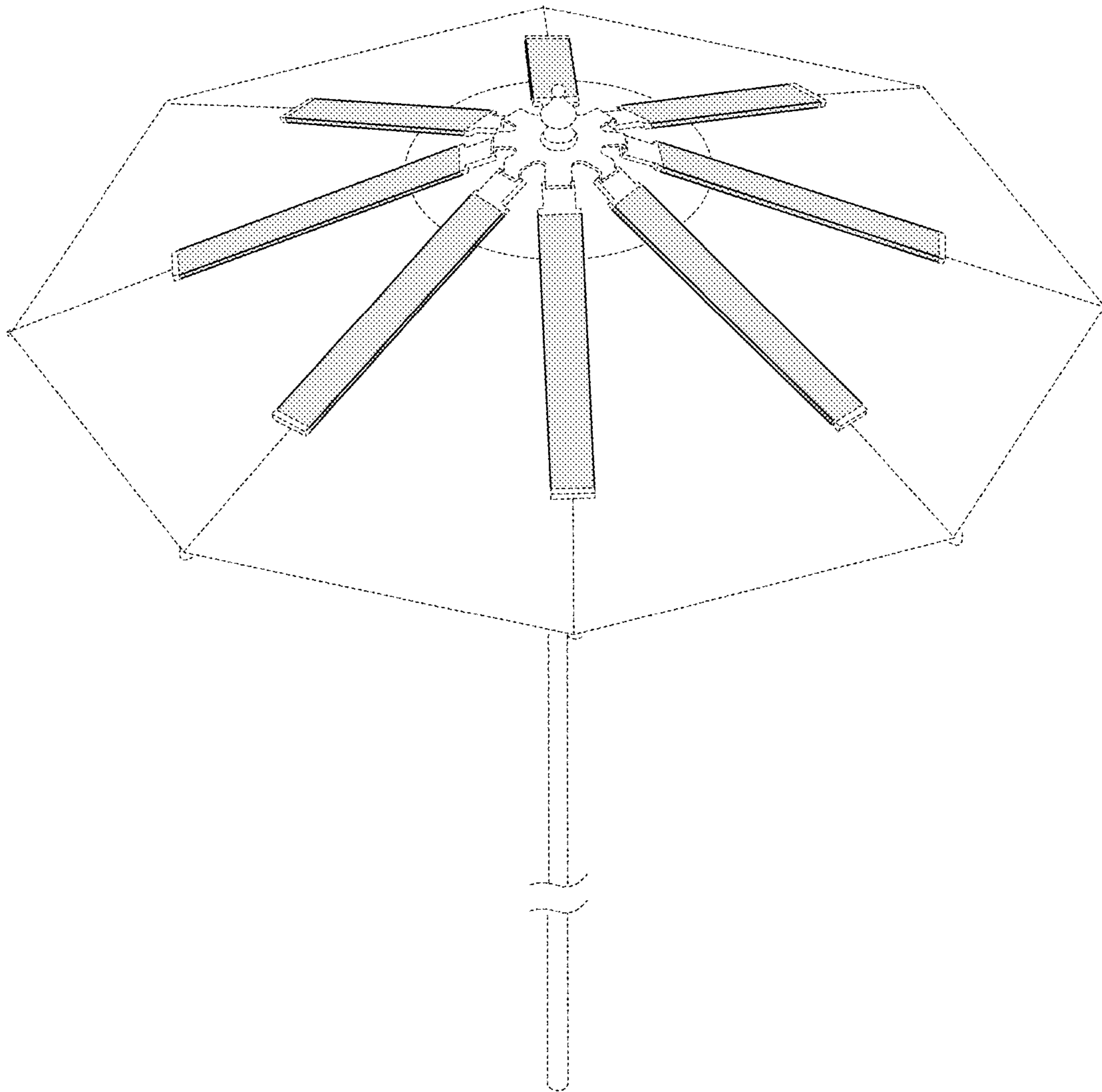


FIG. 1

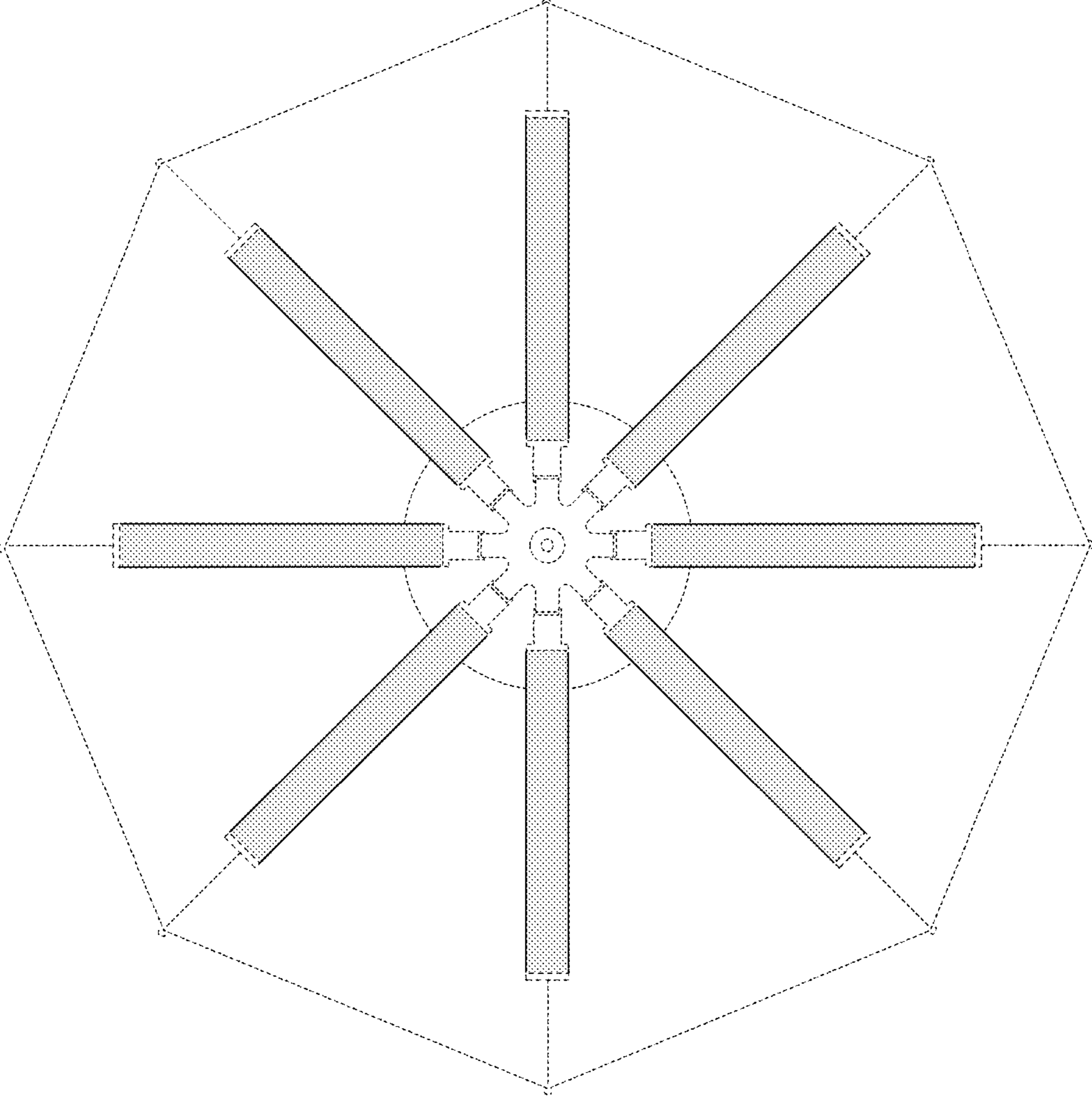


FIG. 2

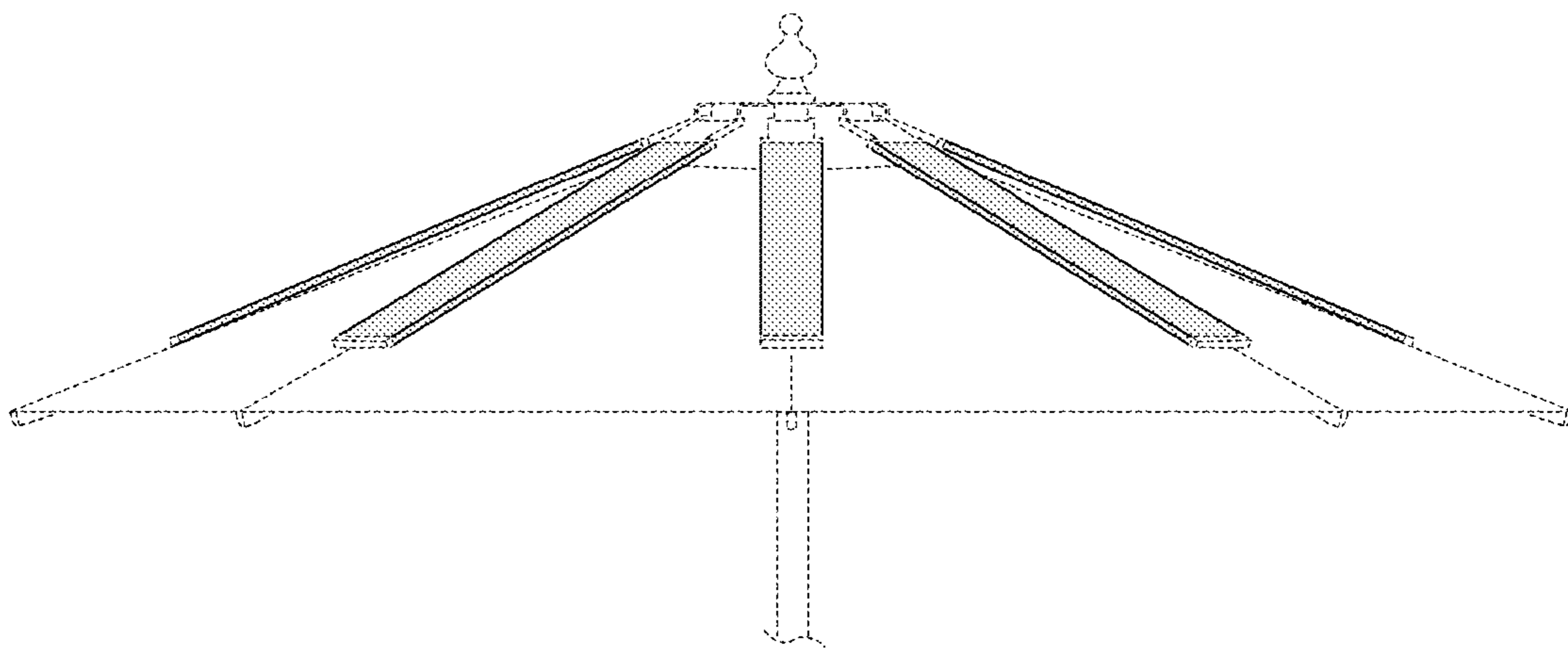


FIG. 3