



US00D770755S

(12) **United States Design Patent** (10) **Patent No.:** **US D770,755 S**
Adinolfi, Sr. (45) **Date of Patent:** **** Nov. 8, 2016**

(54) **DIVE FIN ORGANIZER**

(74) *Attorney, Agent, or Firm* — Quickpatents, LLC;
Kevin Prince

(71) Applicant: **John Adinolfi, Sr.**, Palm Springs, FL
(US)

(72) Inventor: **John Adinolfi, Sr.**, Palm Springs, FL
(US)

(57) **CLAIM**

I claim the ornamental design for a dive fin organizer, as shown and described.

(**) Term: **14 Years**

DESCRIPTION

(21) Appl. No.: **29/501,228**

(22) Filed: **Sep. 2, 2014**

Related U.S. Application Data

(63) Continuation of application No. 29/433,957, filed on Oct. 7, 2012, now Pat. No. Des. 713,643.

(51) **LOC (10) Cl.** **03-01**

(52) **U.S. Cl.**
USPC **D3/3**

(58) **Field of Classification Search**

USPC D3/303, 315, 317, 319, 201, 20, 10, 11,
D3/26; D12/20, 42, 317, 345, 106, 114,
D12/133, 426, 422; D2/860, 861, 863, 864
CPC B60R 7/005; B60R 7/046; B60R 7/043;
A47C 7/62; H01H 9/025; A61G 5/10;
A61G 7/05; A45C 11/26; A45C 11/008

See application file for complete search history.

(56) **References Cited**

U.S. PATENT DOCUMENTS

1,513,514 A * 10/1924 London A45C 3/12
383/39
D140,519 S * 3/1945 Pascal 383/39
D154,993 S * 8/1949 Crothers D6/553
D275,812 S * 10/1984 Deacon D2/864
D354,728 S * 1/1995 Shink D12/422

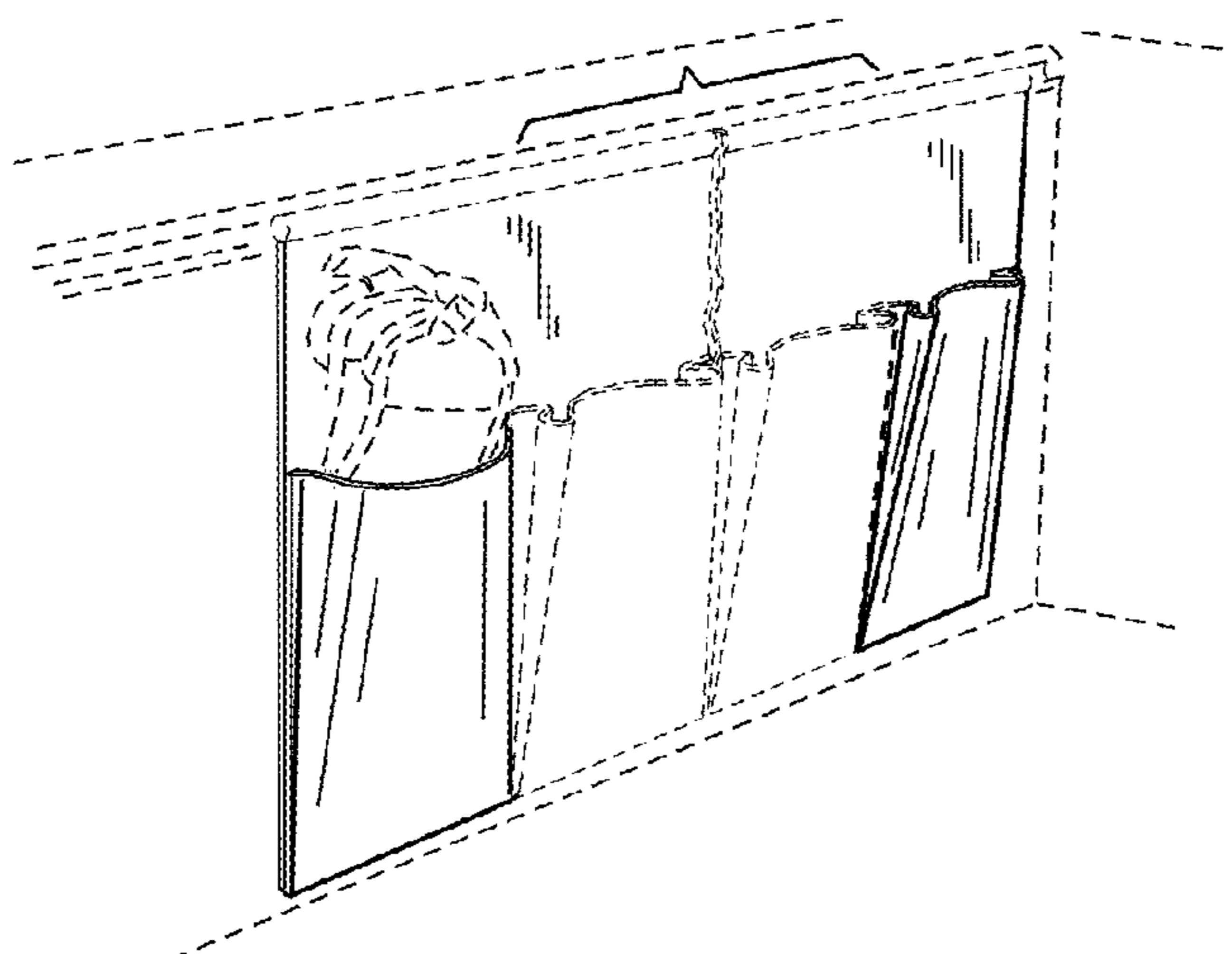
(Continued)

Primary Examiner — Sheryl Lane

Assistant Examiner — Ieisha Price

FIG. 1 is an environmental perspective view of a dive fin organizer, showing a first embodiment of my new design; FIG. 2 is a front elevational view of FIG. 1; FIG. 3 is a top plan view of FIG. 1; FIG. 4 is a bottom plan view of FIG. 1; FIG. 5 is a rear elevational view of FIG. 1; FIG. 6 is a right-side elevational view of FIG. 1, the left-side elevational view being a mirror image thereof; FIG. 7 is a perspective view of a second embodiment thereof; FIG. 8 is a front elevational view of FIG. 7; FIG. 9 is a top plan view of FIG. 7; and FIG. 10 is a rear elevational view of FIG. 7; FIG. 11 is a right-side elevational view of FIG. 7, the left-side elevational view being a mirror image thereof; FIG. 12 is a perspective view of a third embodiment thereof; FIG. 13 is a front elevational view of FIG. 12; FIG. 14 is a top plan view of FIG. 12; FIG. 15 is a bottom plan view of FIG. 12; FIG. 16 is a rear elevational view of FIG. 12; and, FIG. 17 is a right-side elevational view of FIG. 12, the left-side elevational view being a mirror image thereof. The broken line showing of the boat deck in FIG. 1 represents the environment of the claimed design and forms no part thereof. The broken lines in the drawings illustrate portions of the dive fin organizer and form no part of the claimed design. The portions shown between the break lines, rendered in FIGS. 1-5, 7-10 and 12-16, form no part of the claimed design.

1 Claim, 4 Drawing Sheets



US D770,755 S

Page 2

(56)

References Cited

U.S. PATENT DOCUMENTS

D621,151 S *	8/2010	Richardson	D3/203.1
D699,437 S *	2/2014	Del Solar	D3/315
D713,643 S *	9/2014	Adinolfi, Sr.	D3/303
D383,112 S *	9/1997	Patterson	D12/415

* cited by examiner

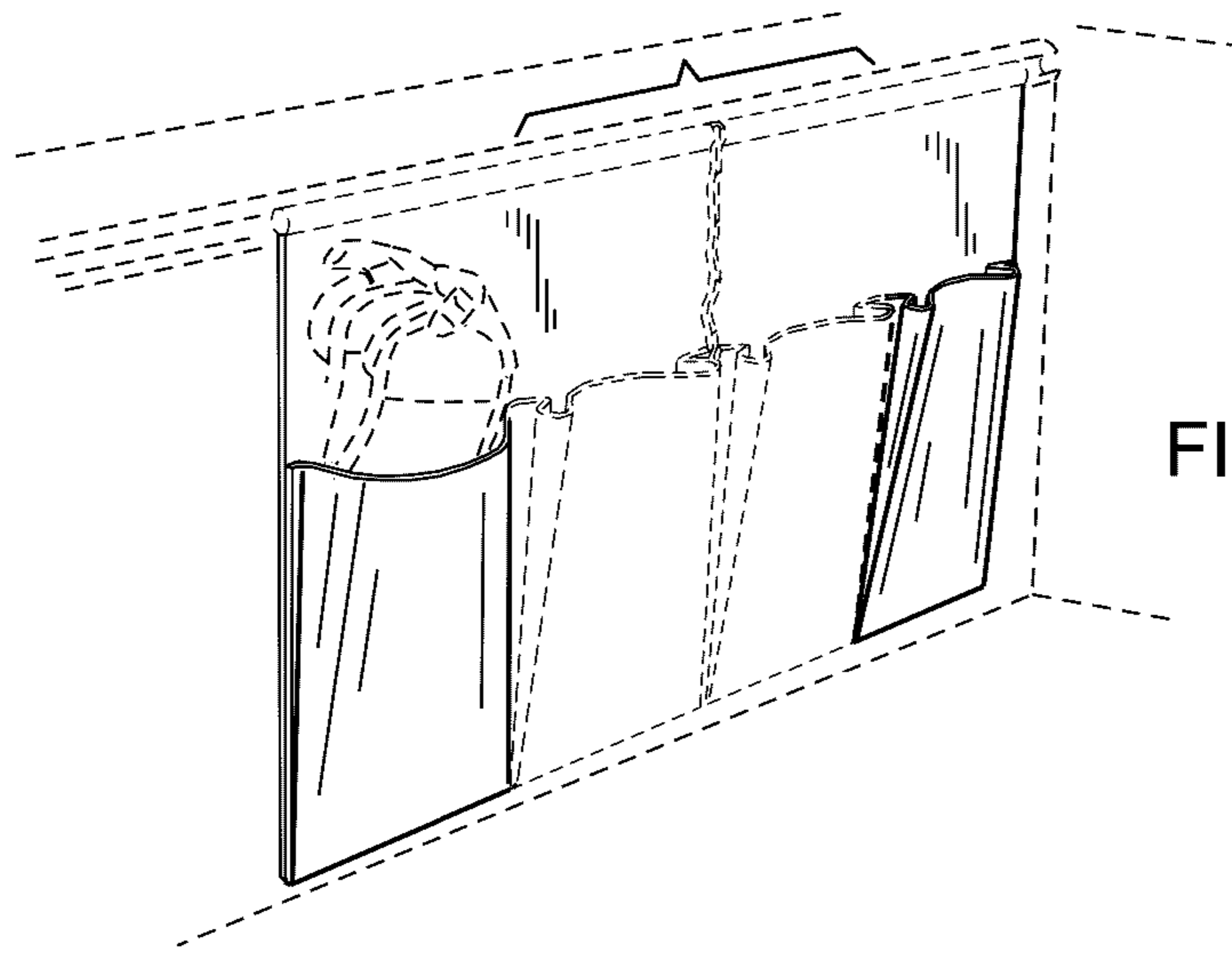


FIG. 1

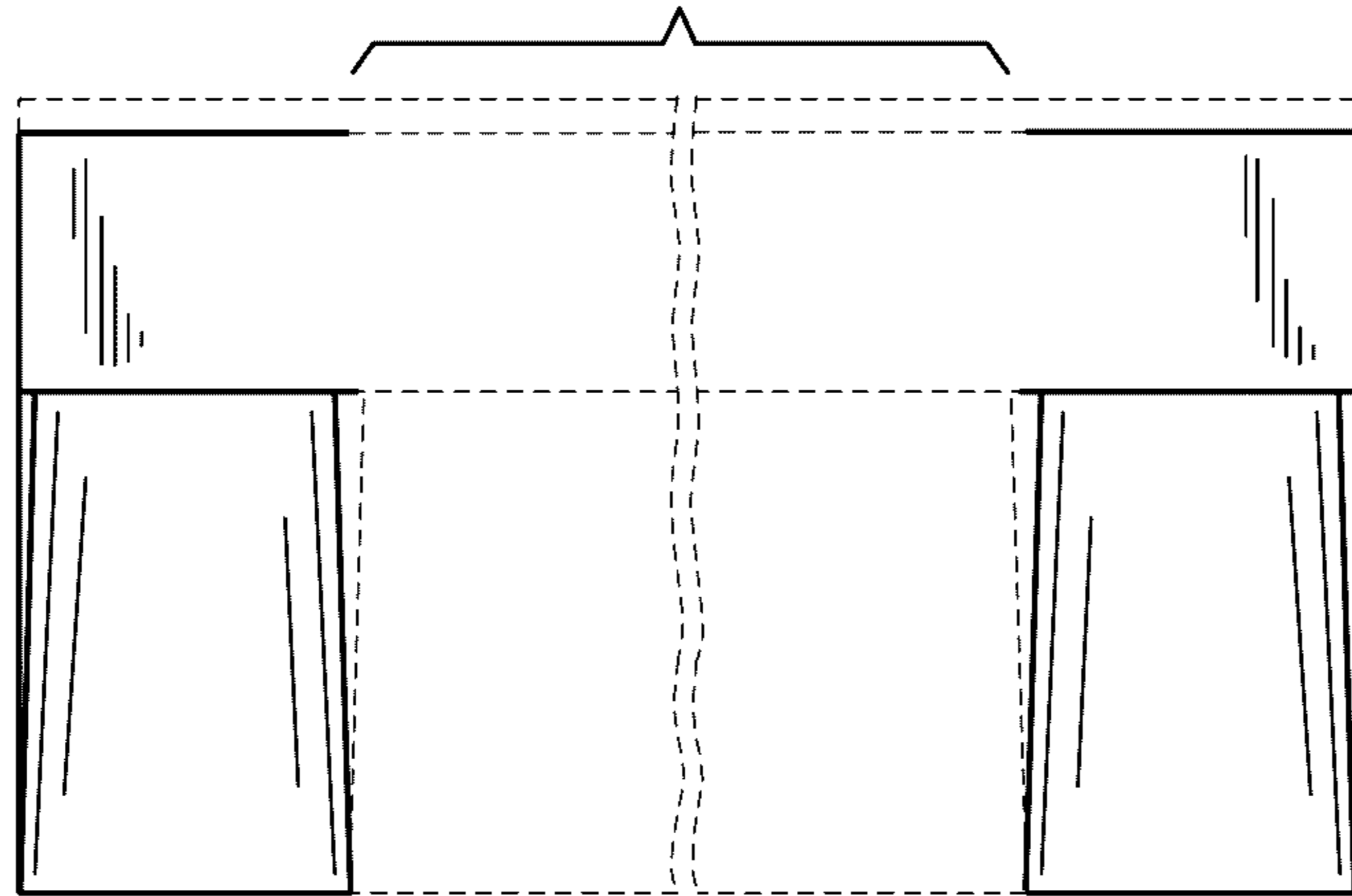


FIG. 2



FIG. 3

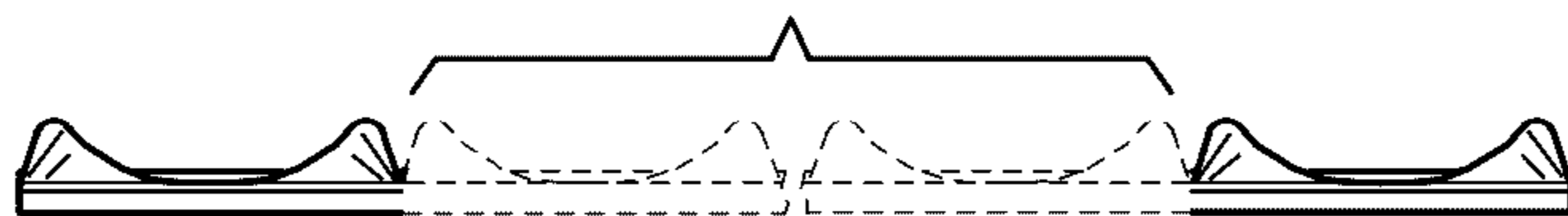


FIG. 4

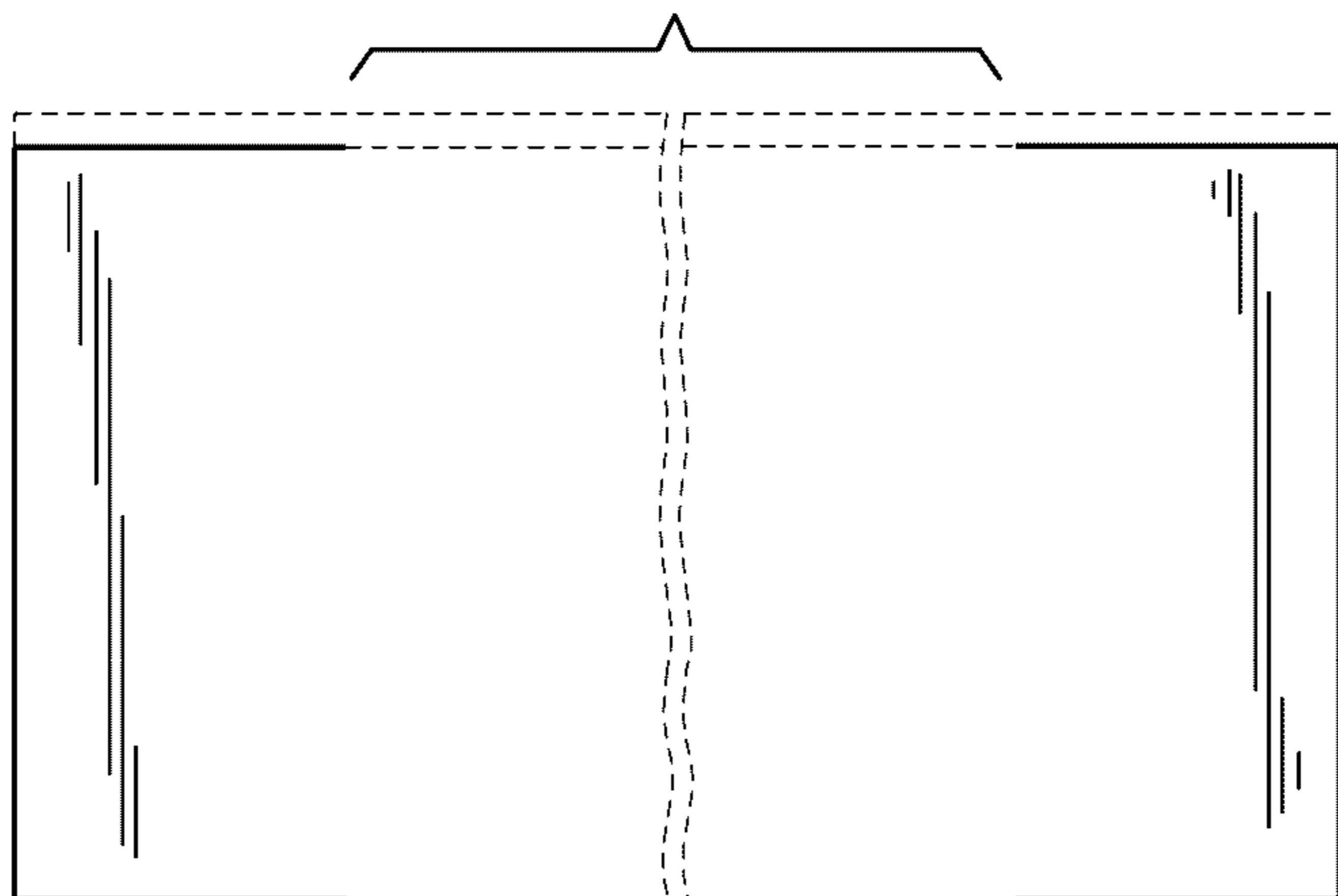


FIG. 5



FIG. 6

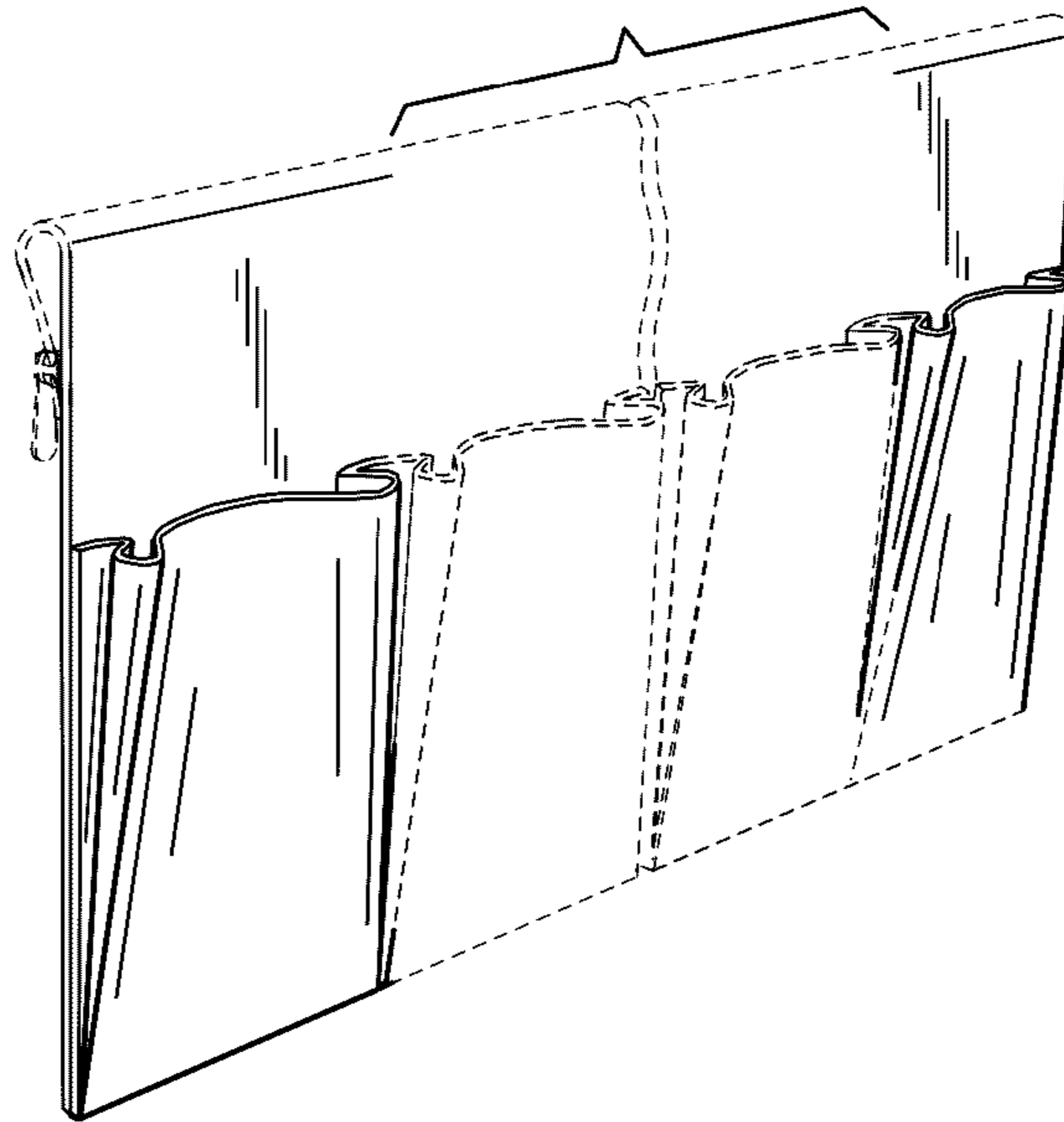


FIG. 7

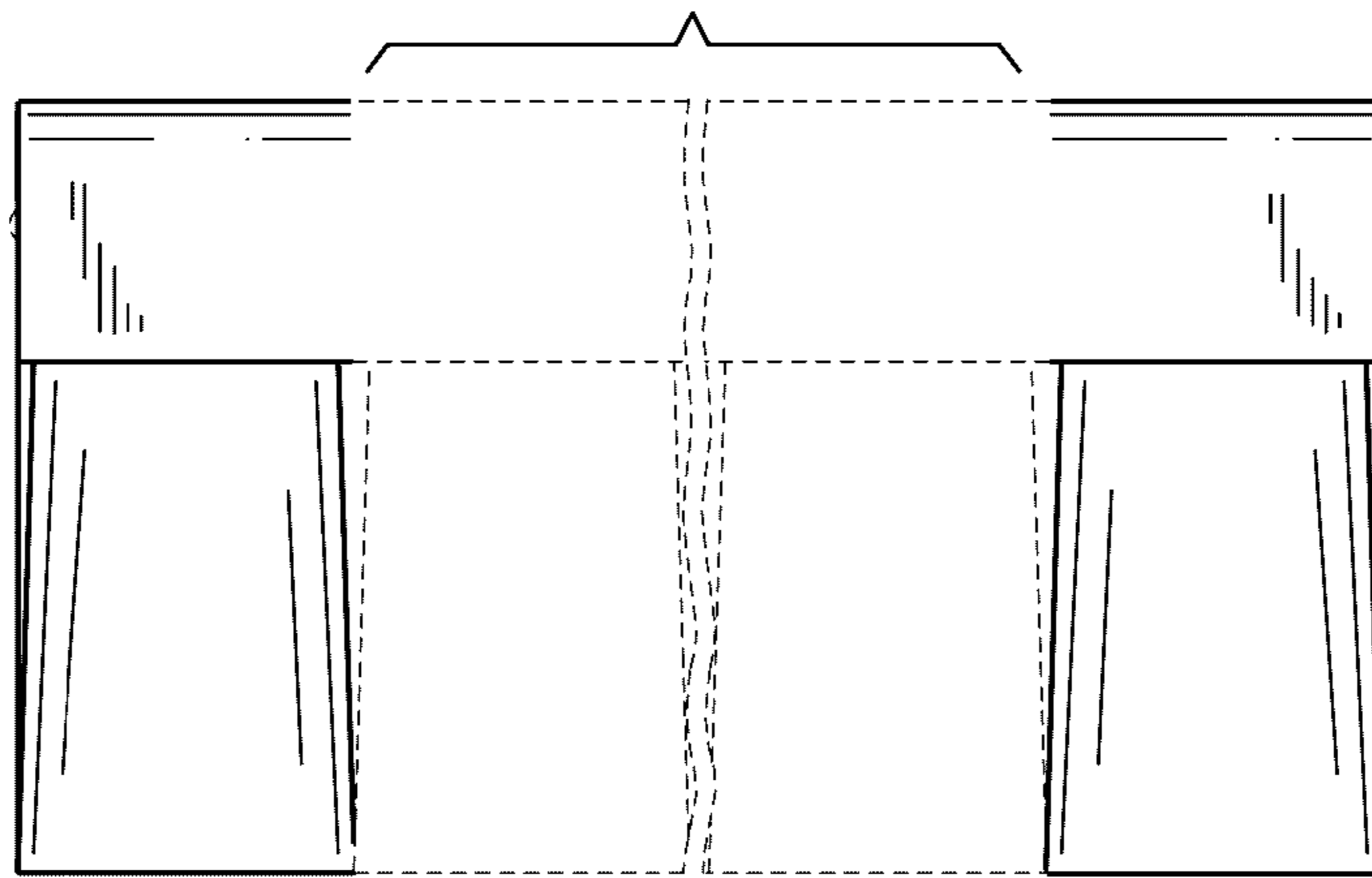


FIG. 8

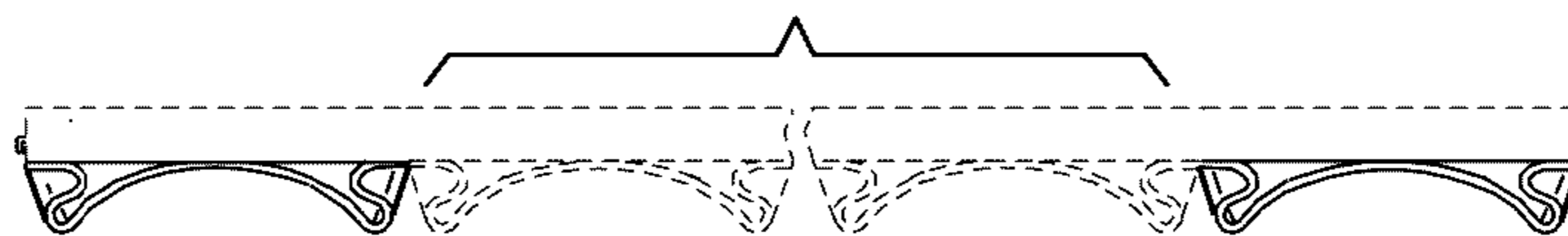


FIG. 9

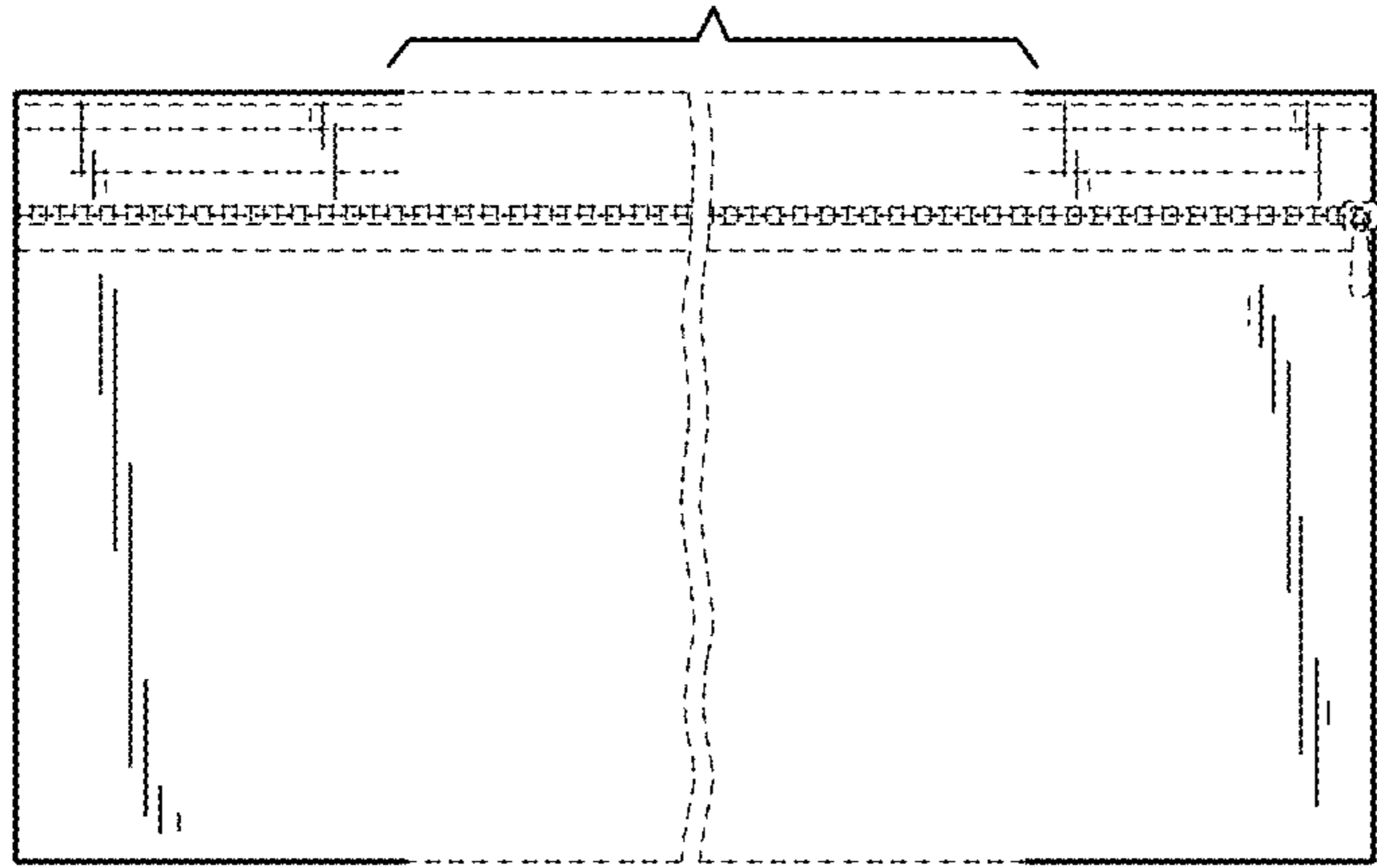


FIG. 10



FIG. 11

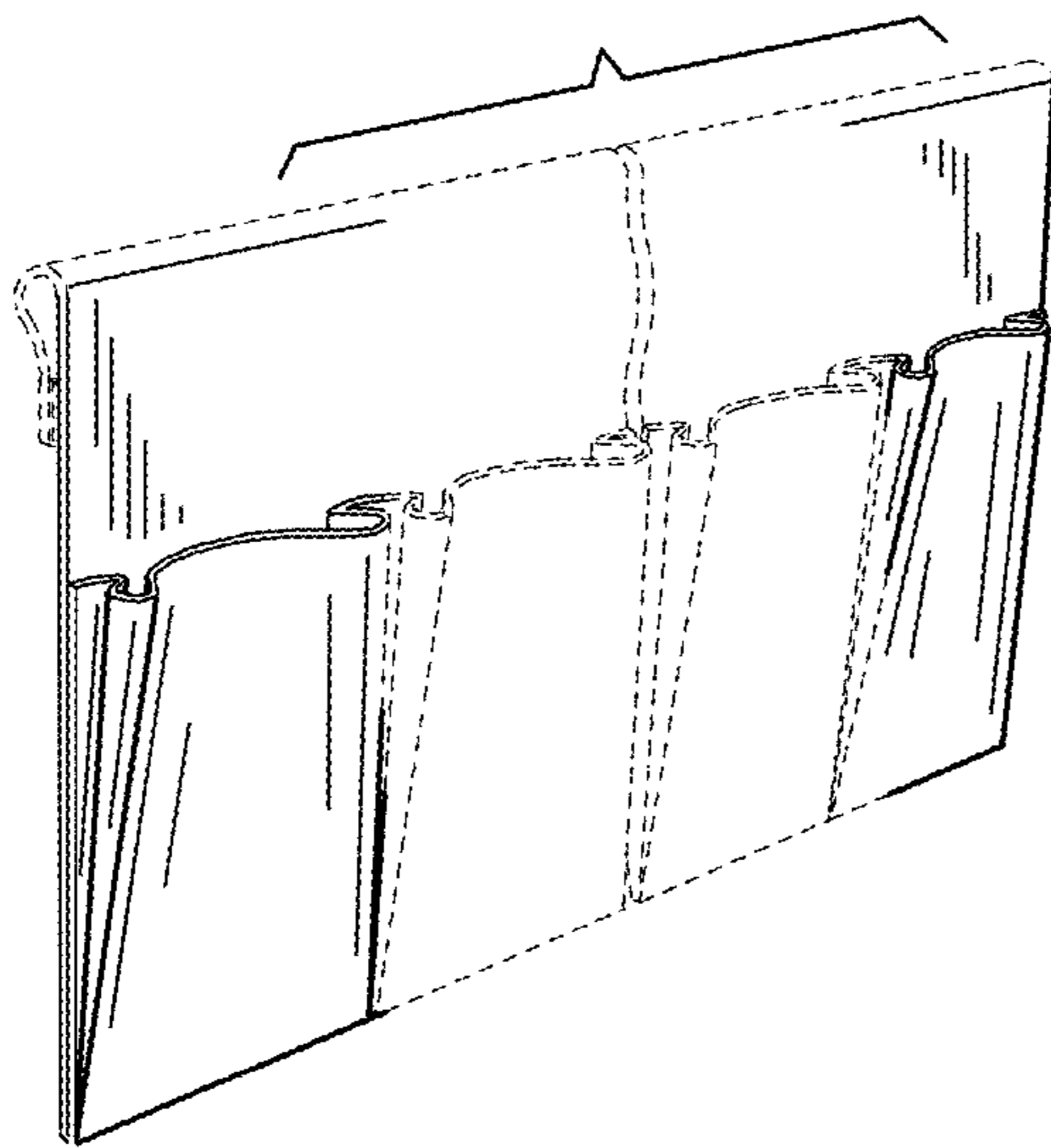


FIG. 12

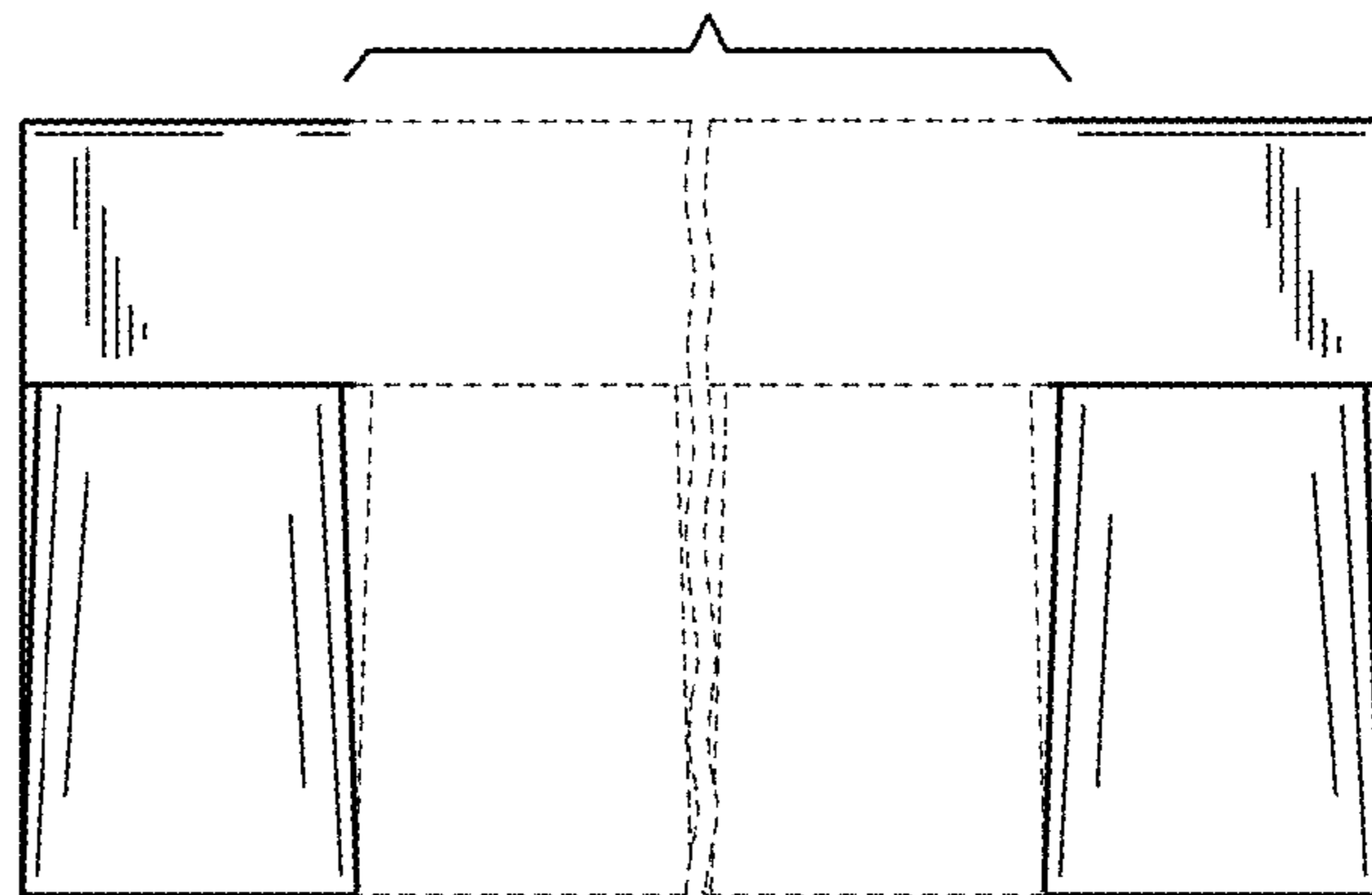


FIG. 13



FIG. 14

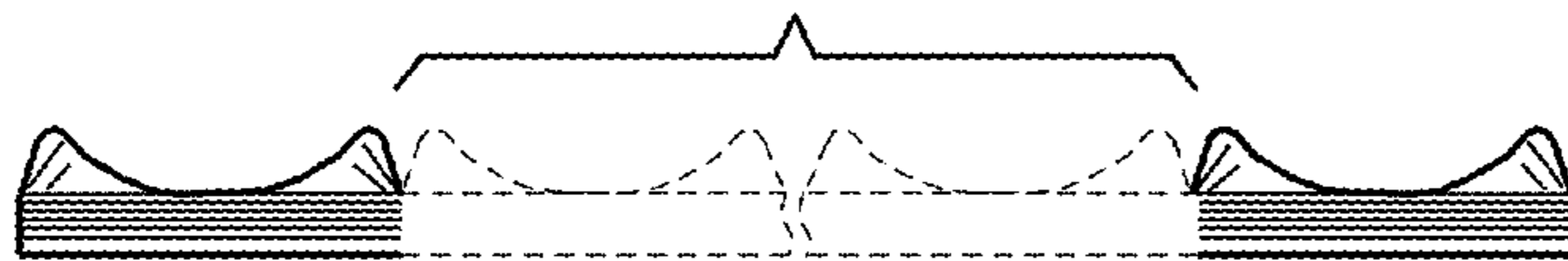


FIG. 15

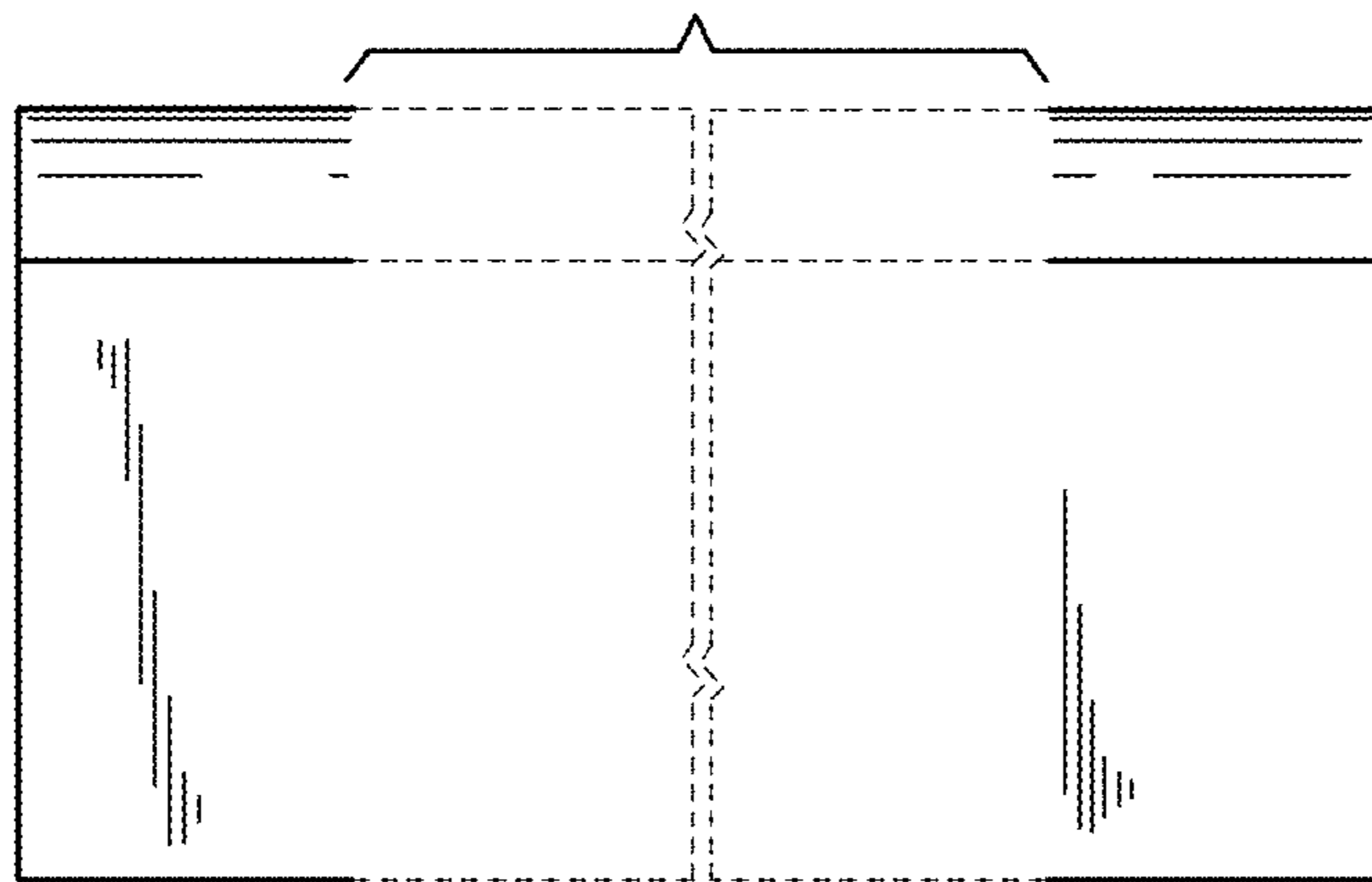


FIG. 16



FIG. 17