



US00D770753S

(12) **United States Design Patent**
Feldman

(10) **Patent No.:** **US D770,753 S**

(45) **Date of Patent:** **** Nov. 8, 2016**

- (54) **SHOE STRETCHER**
- (71) Applicant: **Daniel Feldman**, Brooklyn, NY (US)
- (72) Inventor: **Daniel Feldman**, Brooklyn, NY (US)
- (73) Assignee: **PROFOOT, INC.**, Brooklyn, NY (US)
- (**) Term: **14 Years**
- (21) Appl. No.: **29/526,425**
- (22) Filed: **May 8, 2015**
- (51) **LOC (10) Cl.** **07-99**
- (52) **U.S. Cl.**
USPC **D2/979**
- (58) **Field of Classification Search**
USPC D2/896, 946, 961, 979, 641, 642, 999
CPC A43D 3/14; A43D 3/1416; A43D 3/1425;
A43D 3/1433; A43D 3/1441; A43D 3/145;
A43D 3/1458; A43D 3/1466; A43D 3/1475;
A43D 3/1483; A43D 3/1491; A43D 3/12;
A43D 3/08
See application file for complete search history.

- 3,298,049 A * 1/1967 Coult A43D 3/1425
12/120.5
- 3,412,866 A * 11/1968 Binding A43B 5/0425
12/120.5
- D216,144 S * 11/1969 Gillen D34/31
- D338,323 S * 8/1993 Bramble D2/979
- D360,816 S * 8/1995 Brown D2/979
- D363,831 S * 11/1995 Mueller D8/387
- D402,537 S * 12/1998 Lorenzana D8/355

* cited by examiner

Primary Examiner — Elizabeth J Oswecki

(74) *Attorney, Agent, or Firm* — Fitch, Even, Tabin & Flannery LLP

(57) **CLAIM**

The ornamental design for a shoe stretcher, as shown and described.

DESCRIPTION

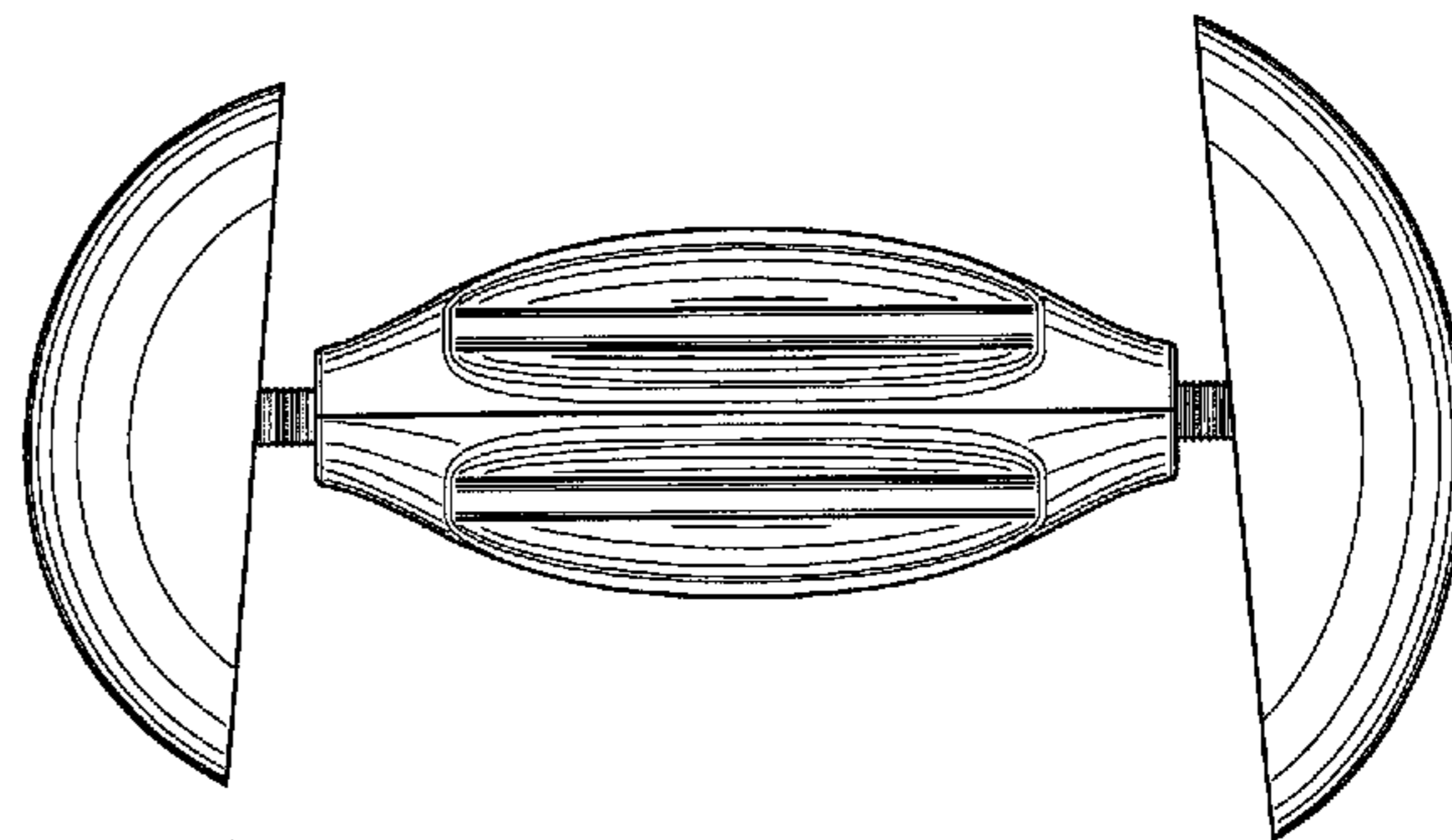
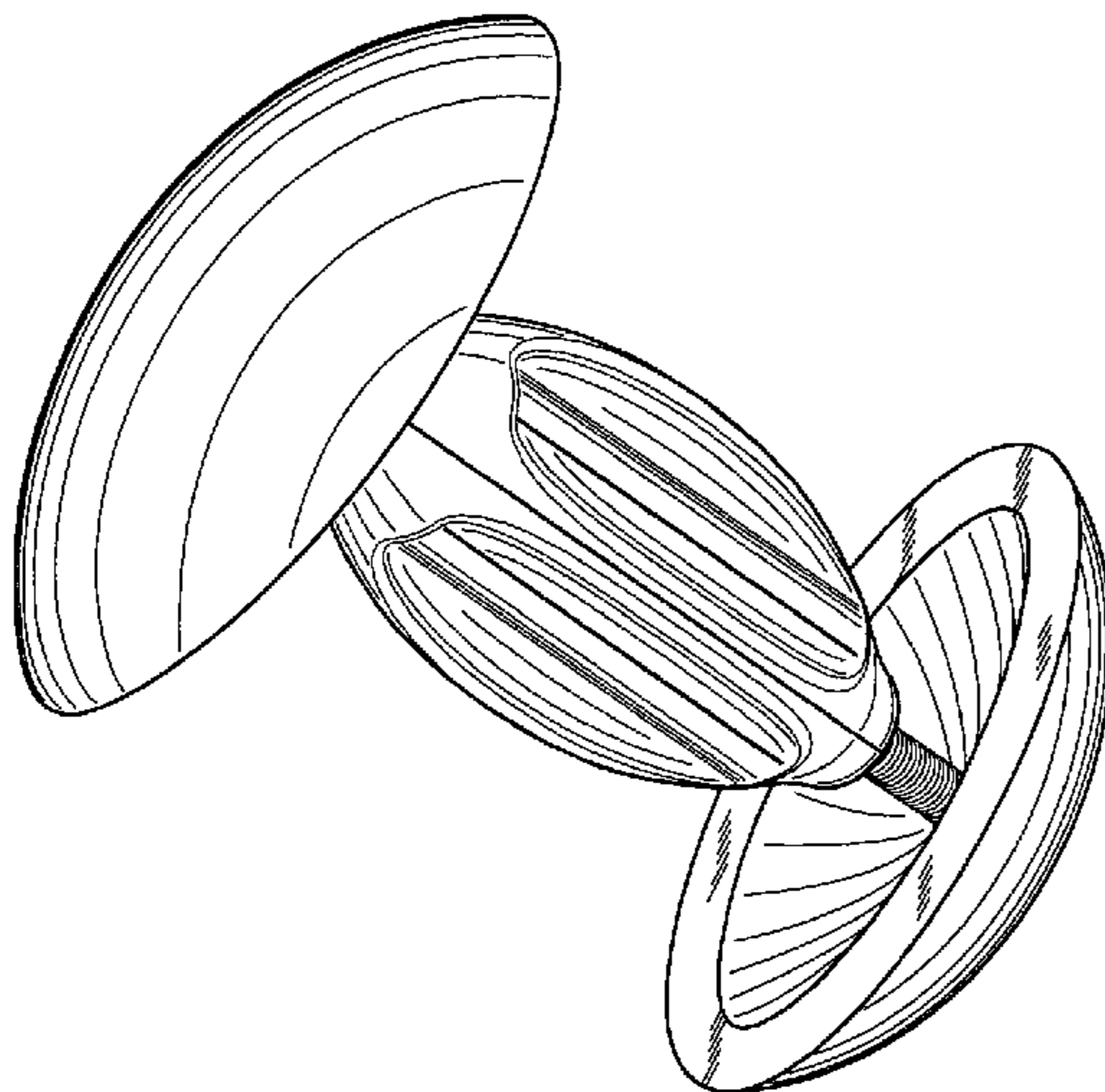
FIG. 1 is a perspective view of a shoe stretcher showing my new design;
 FIG. 2 is a front elevational view thereof, the rear elevational view being a mirror image thereof;
 FIG. 3 is a top plan view thereof;
 FIG. 4 is a bottom plan view thereof;
 FIG. 5 is a left side elevational view thereof;
 FIG. 6 is a right side elevational view thereof; and,
 FIG. 7 is a cross sectional view taken along section line VII-VII in FIG. 3.

1 Claim, 2 Drawing Sheets

(56) **References Cited**

U.S. PATENT DOCUMENTS

- 2,171,924 A * 9/1939 Fissel A43D 3/08
12/117.4
- 3,239,860 A * 3/1966 Iredale A43D 3/1466
12/115.8
- 3,263,252 A * 8/1966 Johnson A43D 3/1475
12/116.6



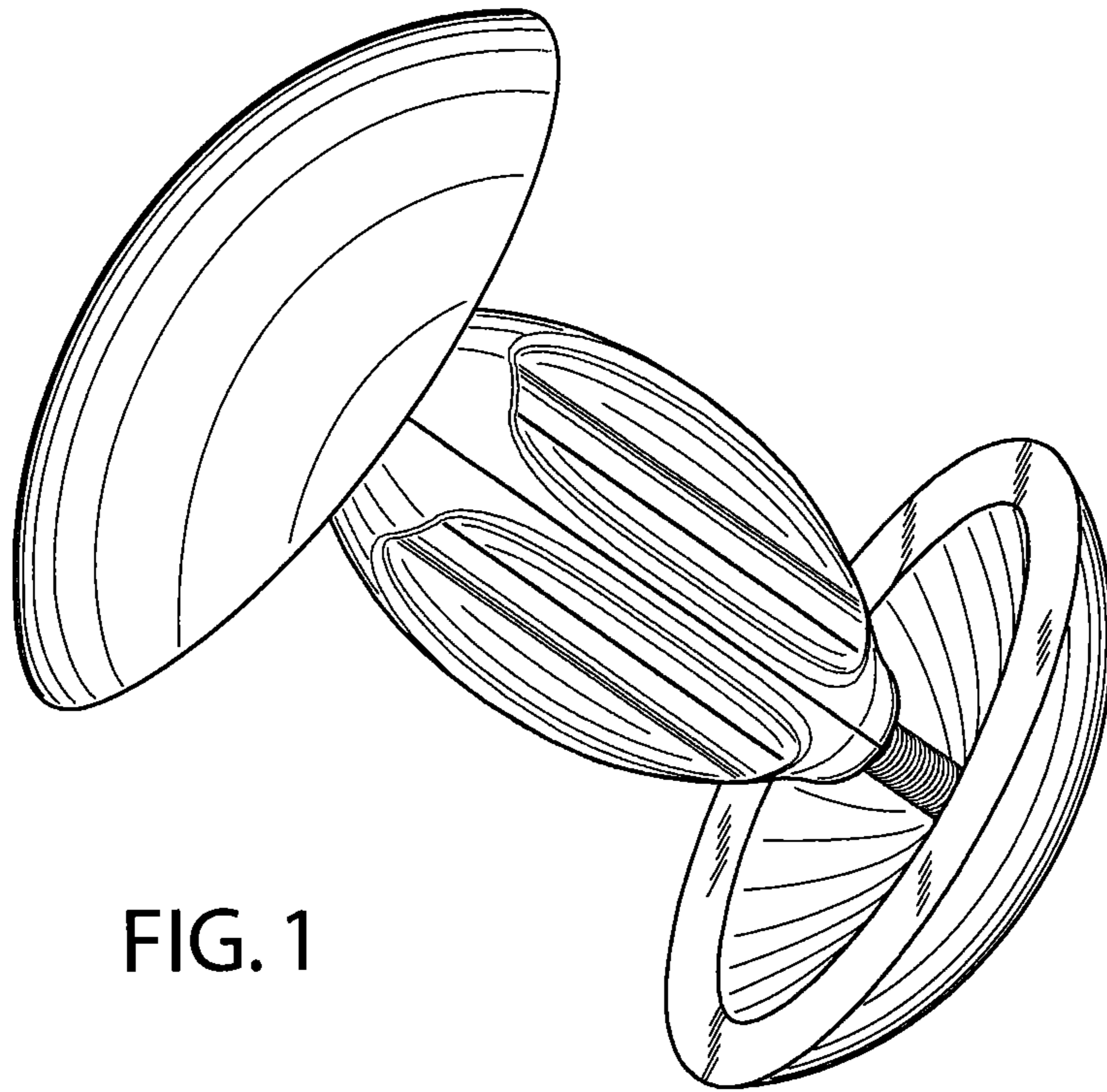


FIG. 1

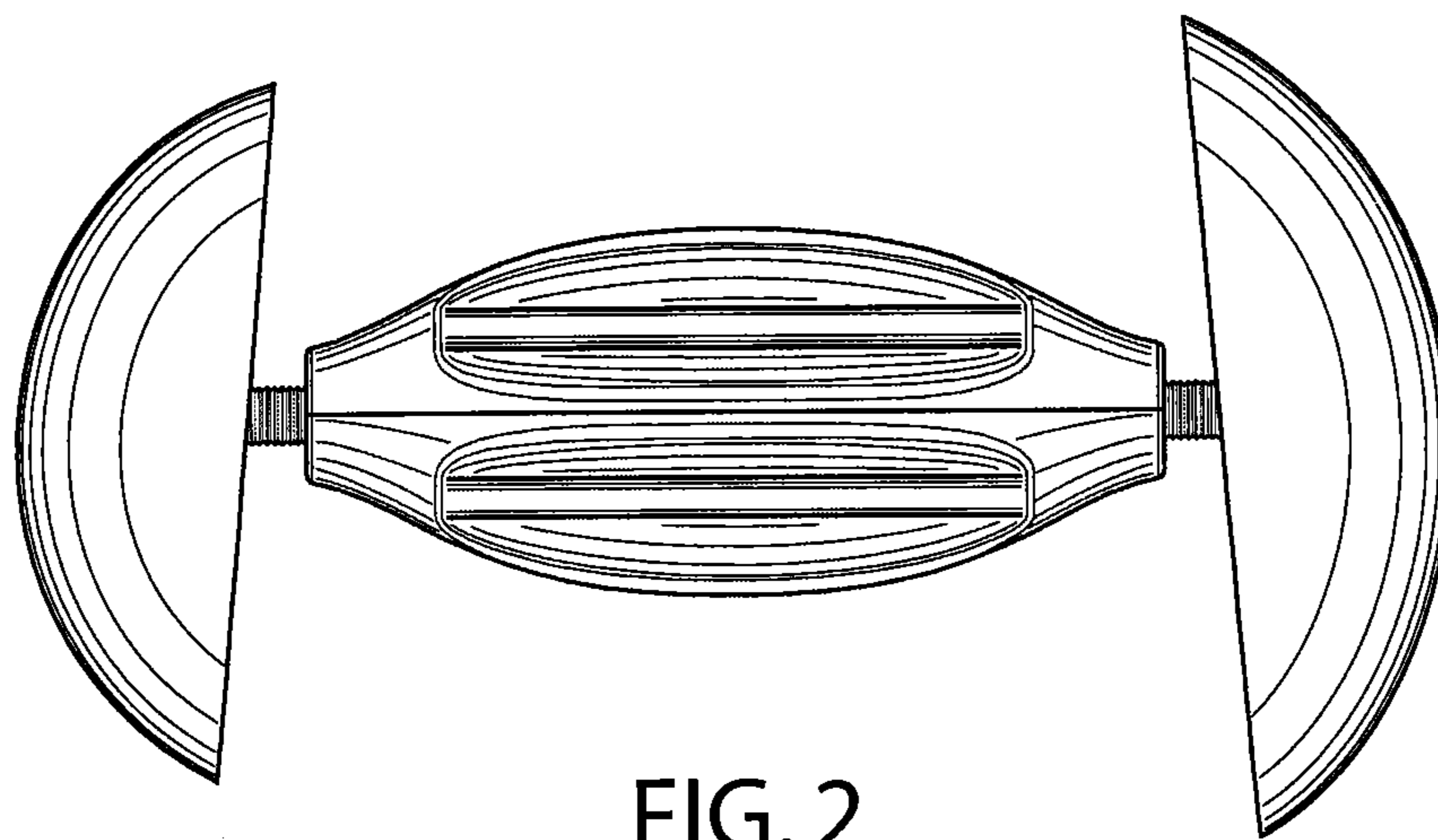


FIG. 2

