



US00D770745S

(12) **United States Design Patent**
Ke

(10) **Patent No.:** **US D770,745 S**

(45) **Date of Patent:** **** Nov. 8, 2016**

- (54) **NON-SLIP SHOE COVER WITH REINFORCED GRIP**
- (71) Applicant: **Meng Yuan Ke**, Changhua County (TW)
- (72) Inventor: **Meng Yuan Ke**, Changhua County (TW)
- (**) Term: **15 Years**
- (21) Appl. No.: **29/539,262**
- (22) Filed: **Sep. 11, 2015**
- (51) **LOC (10) Cl.** **02-04**
- (52) **U.S. Cl.**
USPC **D2/962**
- (58) **Field of Classification Search**
USPC D2/896, 909, 910, 911, 914, 915, 946, D2/962, 963; 36/83, 88, 89, 91, 92, 96, 36/124, 132, 136, 58.5, 58.6, 68, 69, 59 R, 36/61, 62, 64, 65, 66, 67 R, 67 B, 67 D, 36/59 C, 70 R
CPC A43C 15/00; A43C 15/005; A43C 15/02; A43C 15/04; A43C 15/06; A43C 15/061; A43C 15/063; A43C 15/065; A43C 16/066; A43C 15/068; A43C 15/08; A43C 15/09; A43C 15/10; A43C 15/12; A43C 15/14; A43C 13/00; A43C 13/02; A43C 13/06; A43C 13/08; A43C 13/10; A43C 13/12
See application file for complete search history.

2,075,229	A *	3/1937	Rose	A43B 5/08
					15/227
2,166,958	A *	7/1939	Lawson	A43C 15/063
					36/62
2,170,691	A *	8/1939	Mutter	A43C 15/06
					36/59 R
2,685,141	A *	8/1954	Davenport	A43C 15/02
					280/11.3
3,214,850	A *	11/1965	McNair	A43C 15/06
					36/62
3,229,389	A *	1/1966	Adams	A43C 15/06
					36/62
D293,160	S *	12/1987	Le Droit	D2/962
D299,285	S *	1/1989	Watson	D2/962
D313,111	S *	12/1990	McKinstry	D2/962
D368,359	S *	4/1996	O'Grady	D2/910
D376,255	S *	12/1996	Ehmann	D2/962
D559,515	S *	1/2008	Norton	D2/962
D559,516	S *	1/2008	Norton	D2/962
D628,372	S *	12/2010	Bell	D2/906
D670,491	S *	11/2012	Ko	D2/962
D747,597	S *	1/2016	Raisanen	D2/962

* cited by examiner

Primary Examiner — Elizabeth J Oswecki
(74) *Attorney, Agent, or Firm* — Rosenberg, Klein & Lee

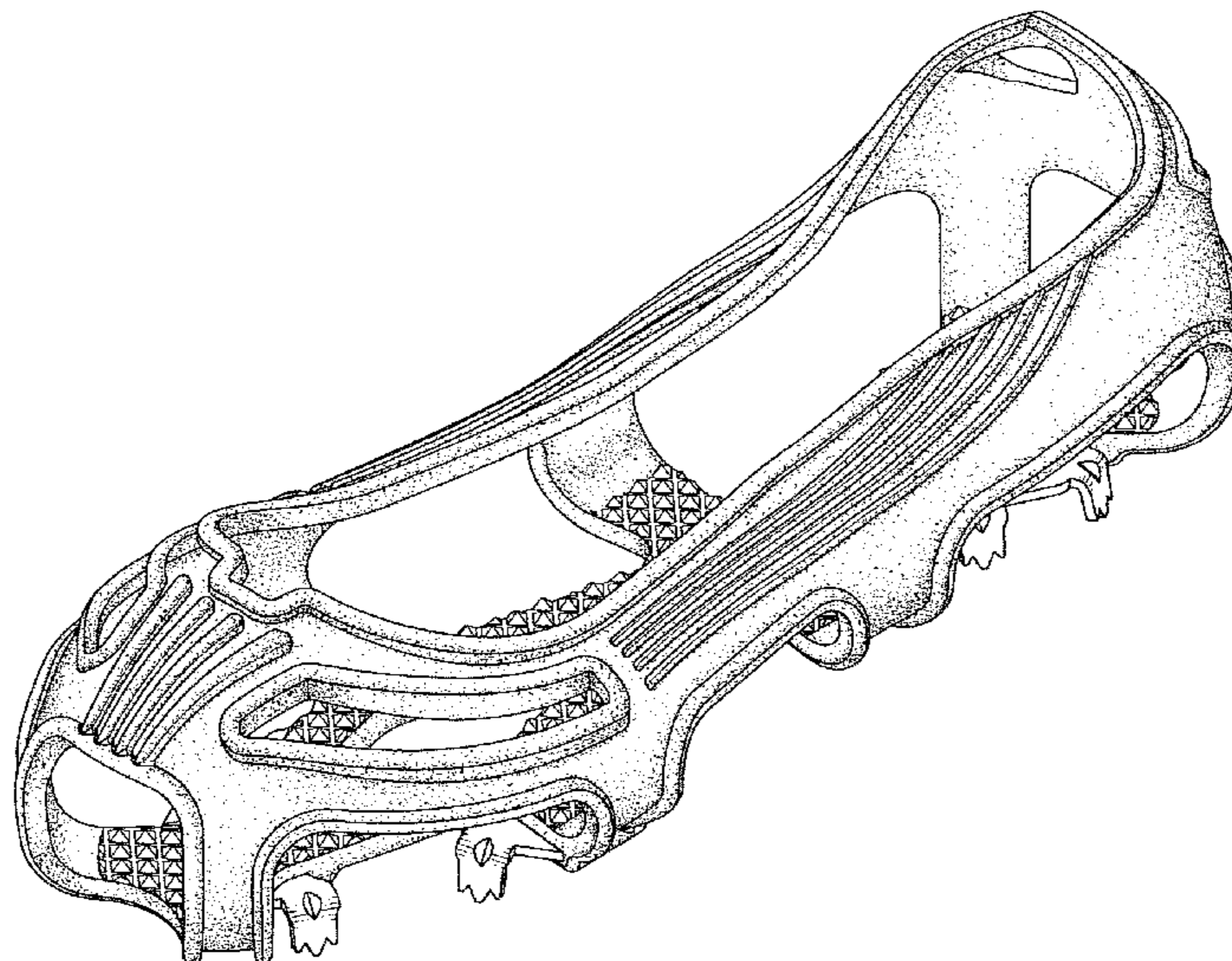
(57) **CLAIM**
The ornamental design for a non-slip shoe cover with reinforced grip, as shown and described.

DESCRIPTION

FIG. 1 is a perspective view of a non-slip shoe cover with reinforced grip showing my new design; FIG. 2 is a front elevation view thereof; FIG. 3 is a rear elevation view thereof; FIG. 4 is a left side elevation view thereof; FIG. 5 is a right side elevation view thereof; FIG. 6 is a top plan view thereof; and, FIG. 7 is a bottom plan view thereof.

1 Claim, 6 Drawing Sheets

- (56) **References Cited**
U.S. PATENT DOCUMENTS
1,386,028 A * 8/1921 Roe A43C 15/06
36/7.6
1,437,376 A * 11/1922 Young E06C 7/18
36/7.5



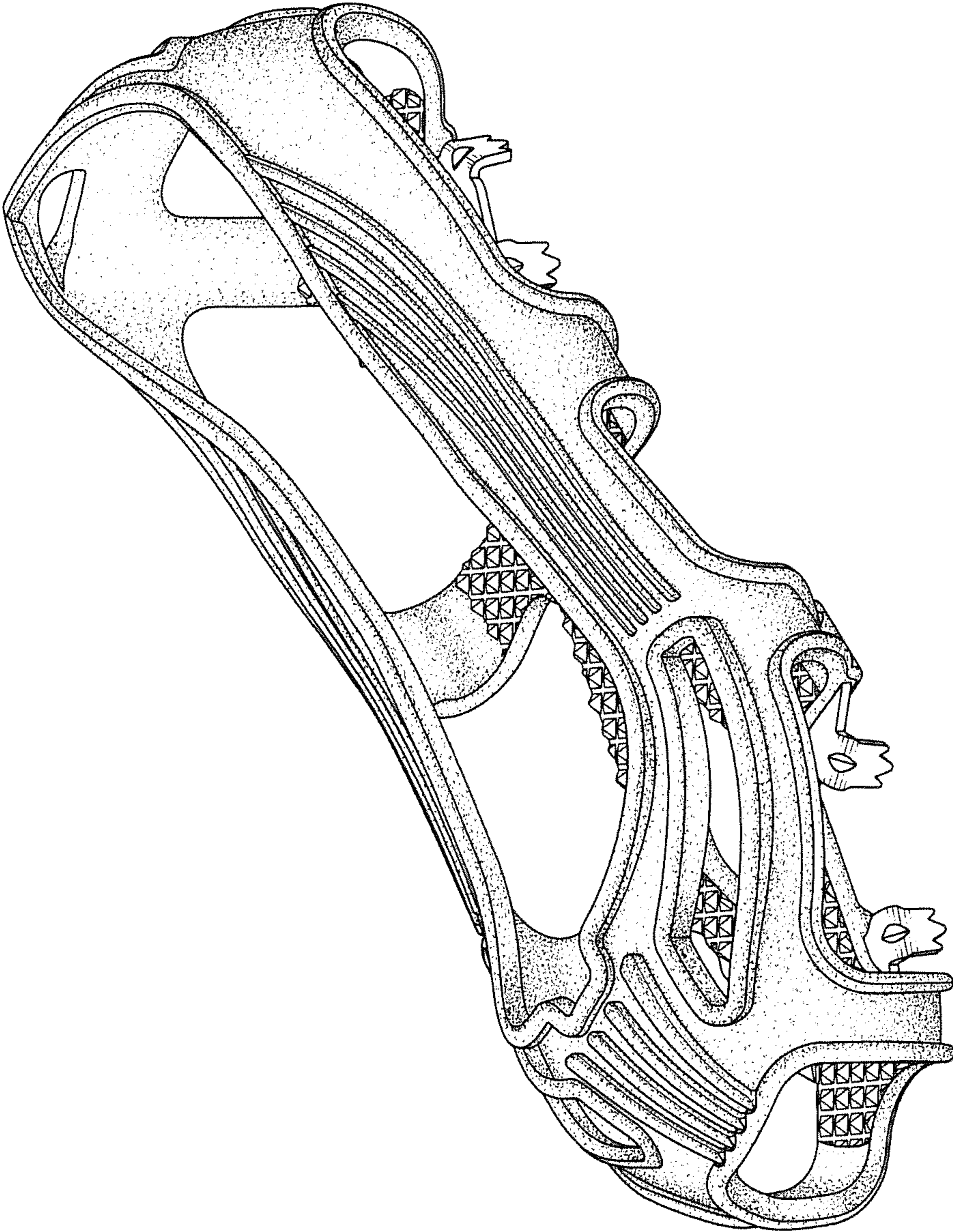


FIG. 1

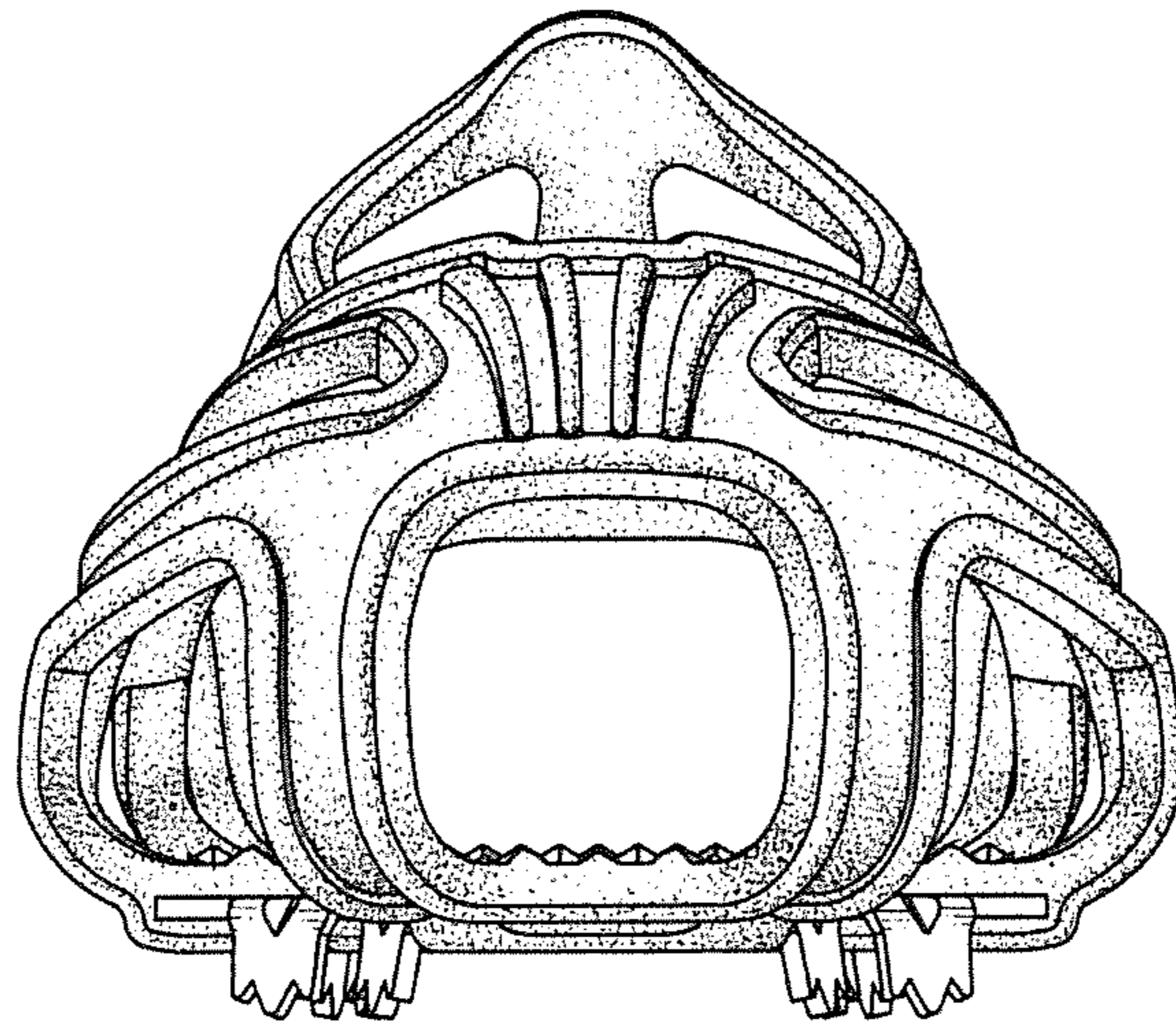


FIG. 2

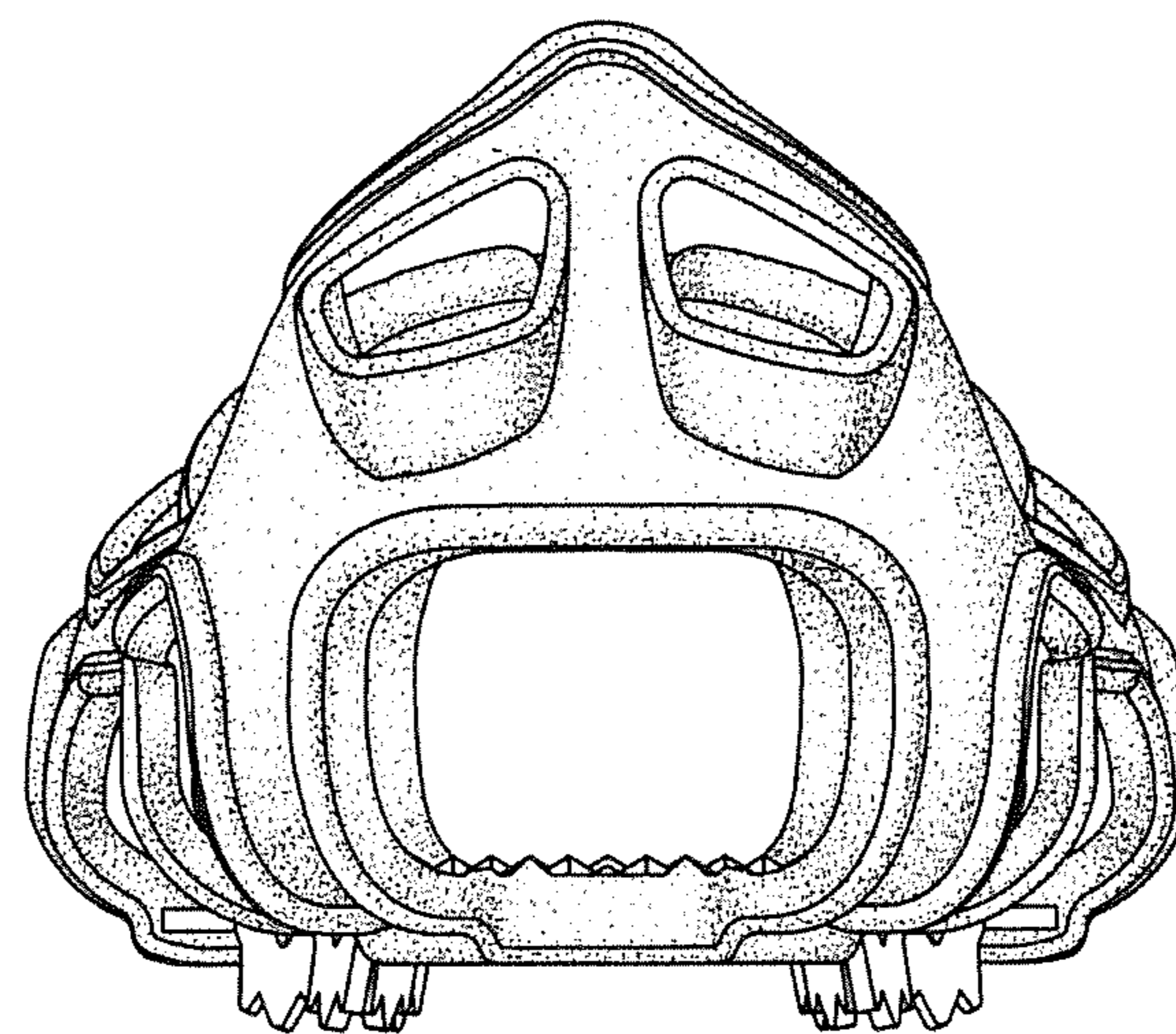


FIG. 3

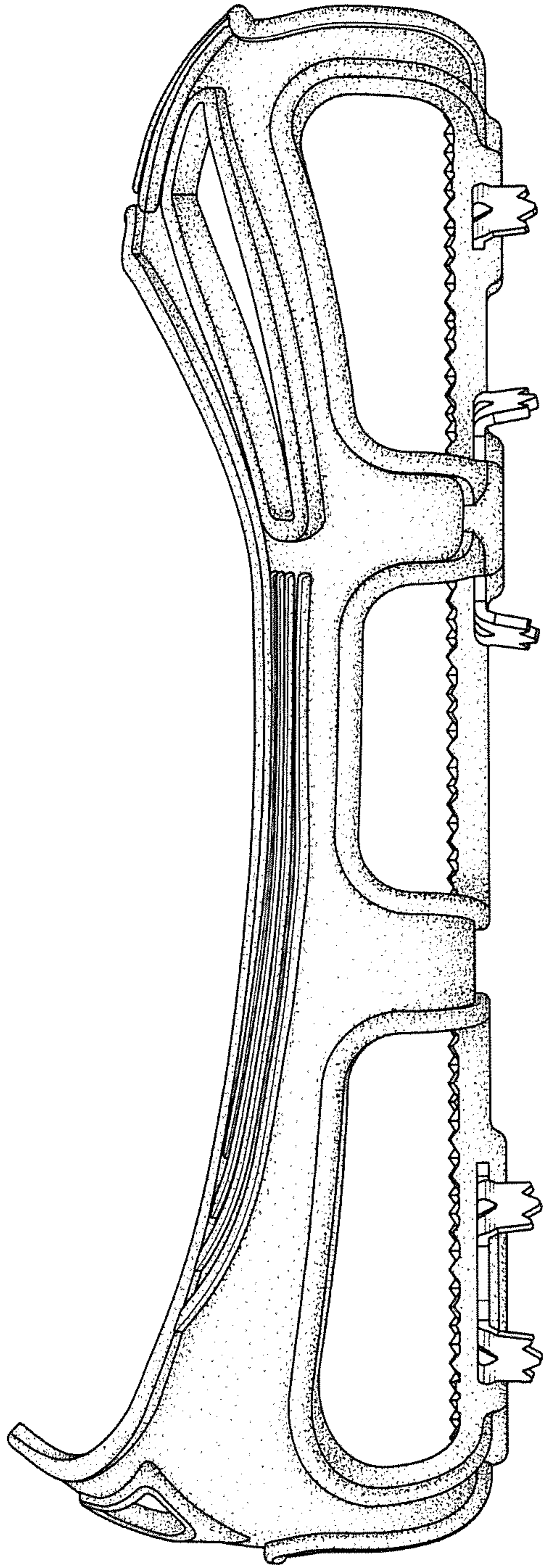


FIG. 4

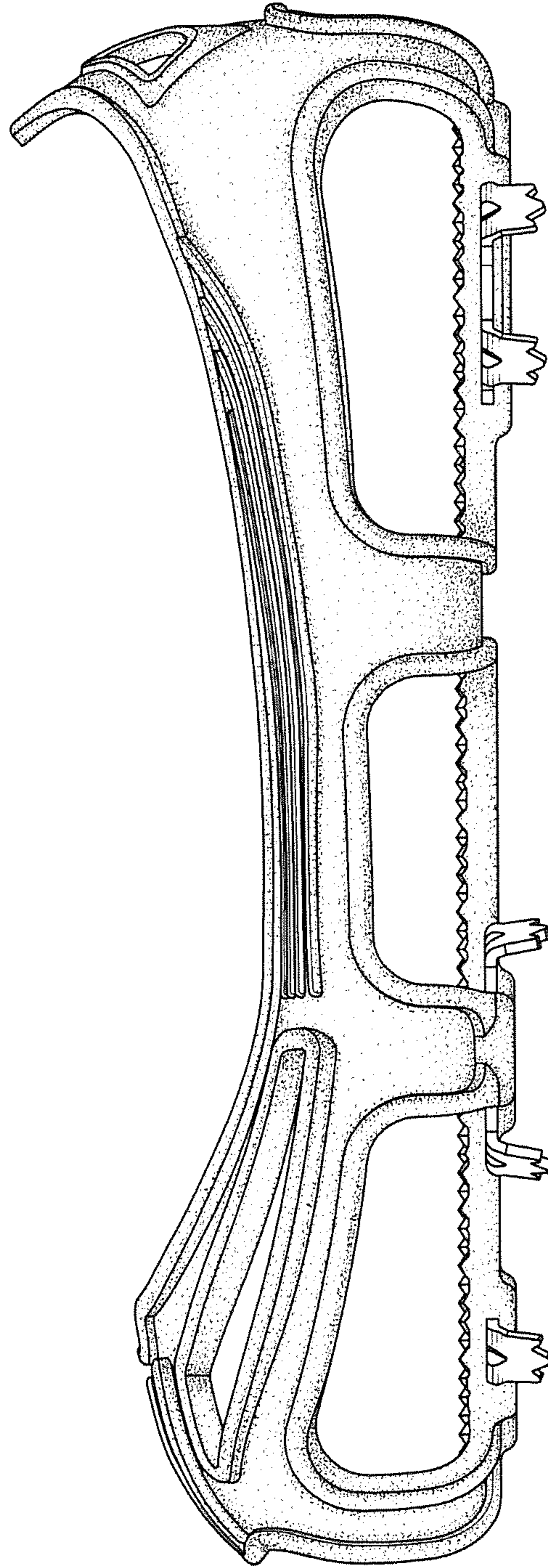


FIG. 5

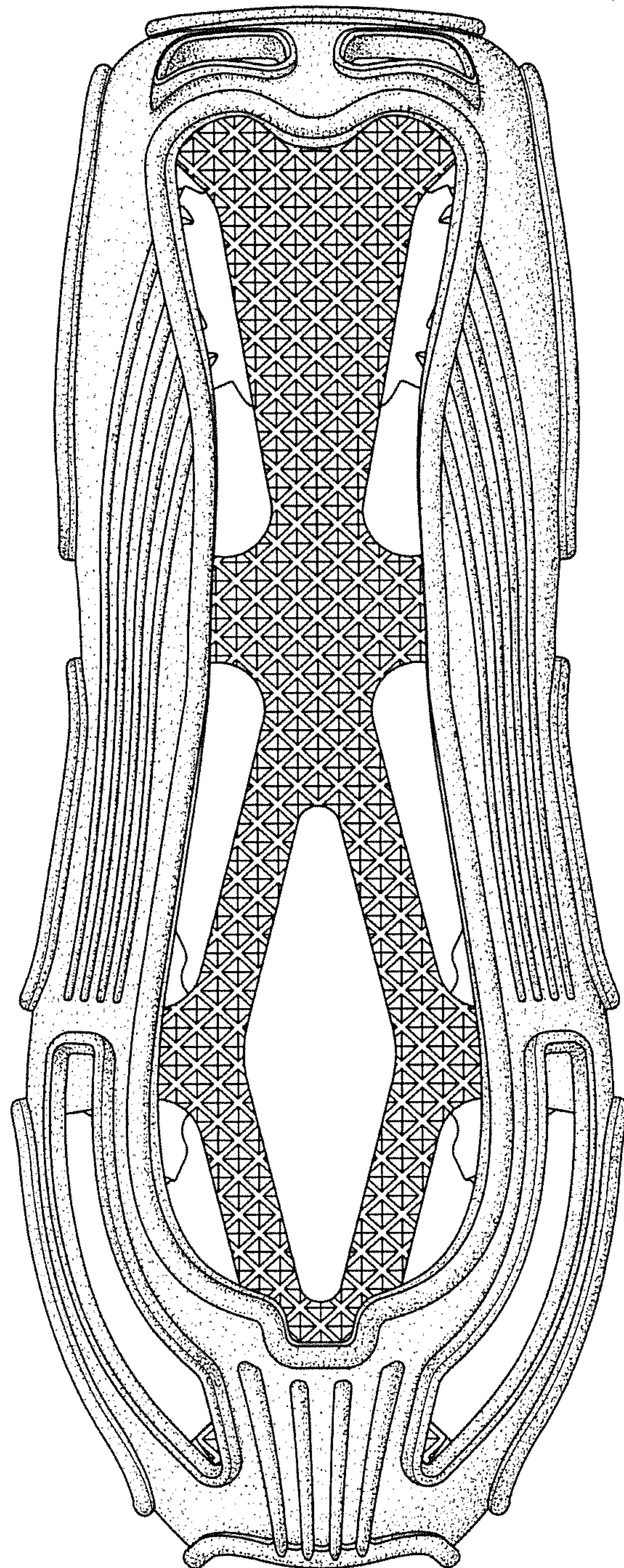


FIG. 6

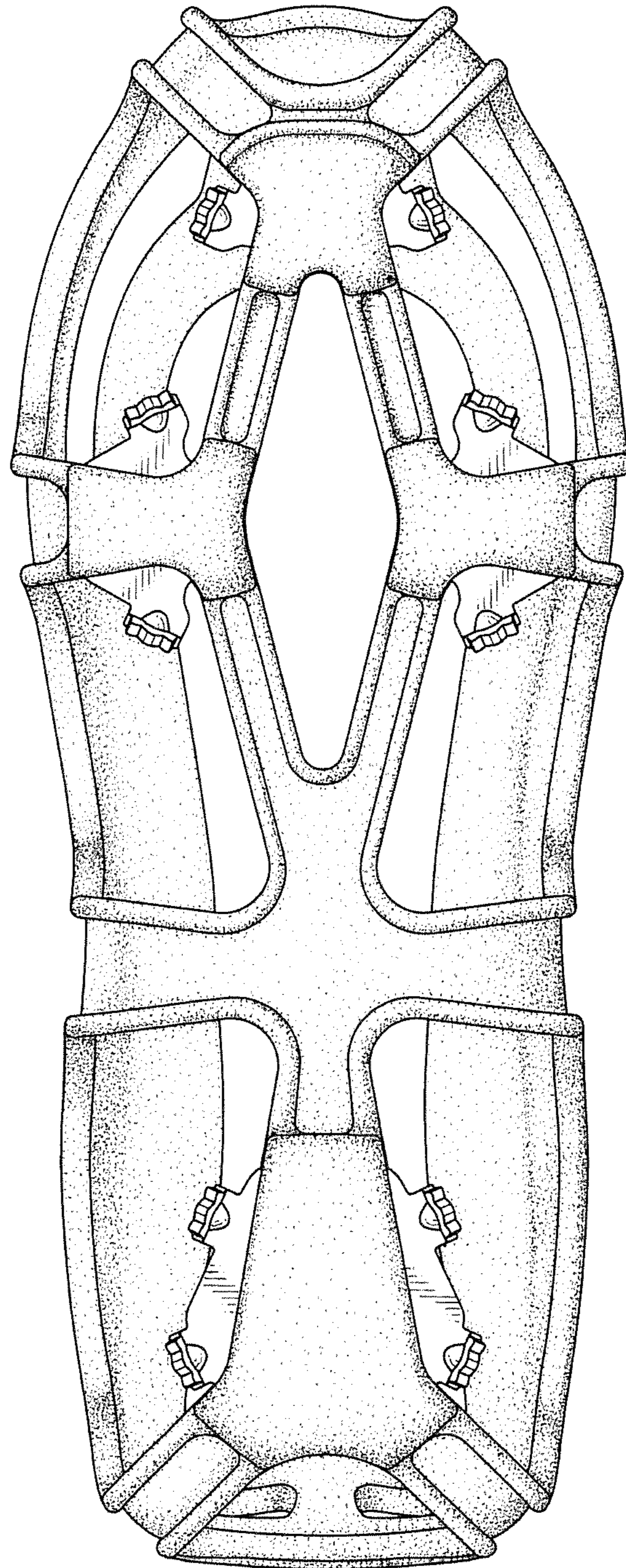


FIG. 7