



US00D770736S

(12) **United States Design Patent**
De Brito

(10) **Patent No.:** **US D770,736 S**

(45) **Date of Patent:** **** Nov. 8, 2016**

(54) **SANDAL**

(71) Applicant: **Grendene S.A.**, Sobral (BR)

(72) Inventor: **Robson Castilho De Brito**, Sobral (BR)

(73) Assignee: **Grendene S.A.**, Farroupilha RS (BR)

(**) Term: **15 Years**

(21) Appl. No.: **29/539,664**

(22) Filed: **Sep. 16, 2015**

(51) **LOC (10) Cl.** **02-04**

(52) **U.S. Cl.**
USPC **D2/917**

(58) **Field of Classification Search**
USPC D02/896-900, 916-925, 940, 943, 946,
D02/947-952, 969; 36/45, 11.5, 3 A, 3 R,
36/7.5, 7.6, 7.7
CPC A43B 3/12; A43B 3/10; A43B 3/122;
A43B 23/25
See application file for complete search history.

(56) **References Cited**

U.S. PATENT DOCUMENTS

D142,506 S * 10/1945 Wolock D2/916
2,590,648 A * 3/1952 Pitz A43B 3/128
36/11.5

D435,335 S * 12/2000 Dean D2/916
D550,937 S * 9/2007 Choi D2/917
D560,344 S * 1/2008 Belley D2/916
D649,750 S * 12/2011 Weitzman D2/917

* cited by examiner

Primary Examiner — Ian Simmons

Assistant Examiner — Rashida C Walshon

(74) *Attorney, Agent, or Firm* — Luedeka Neely, P.C.

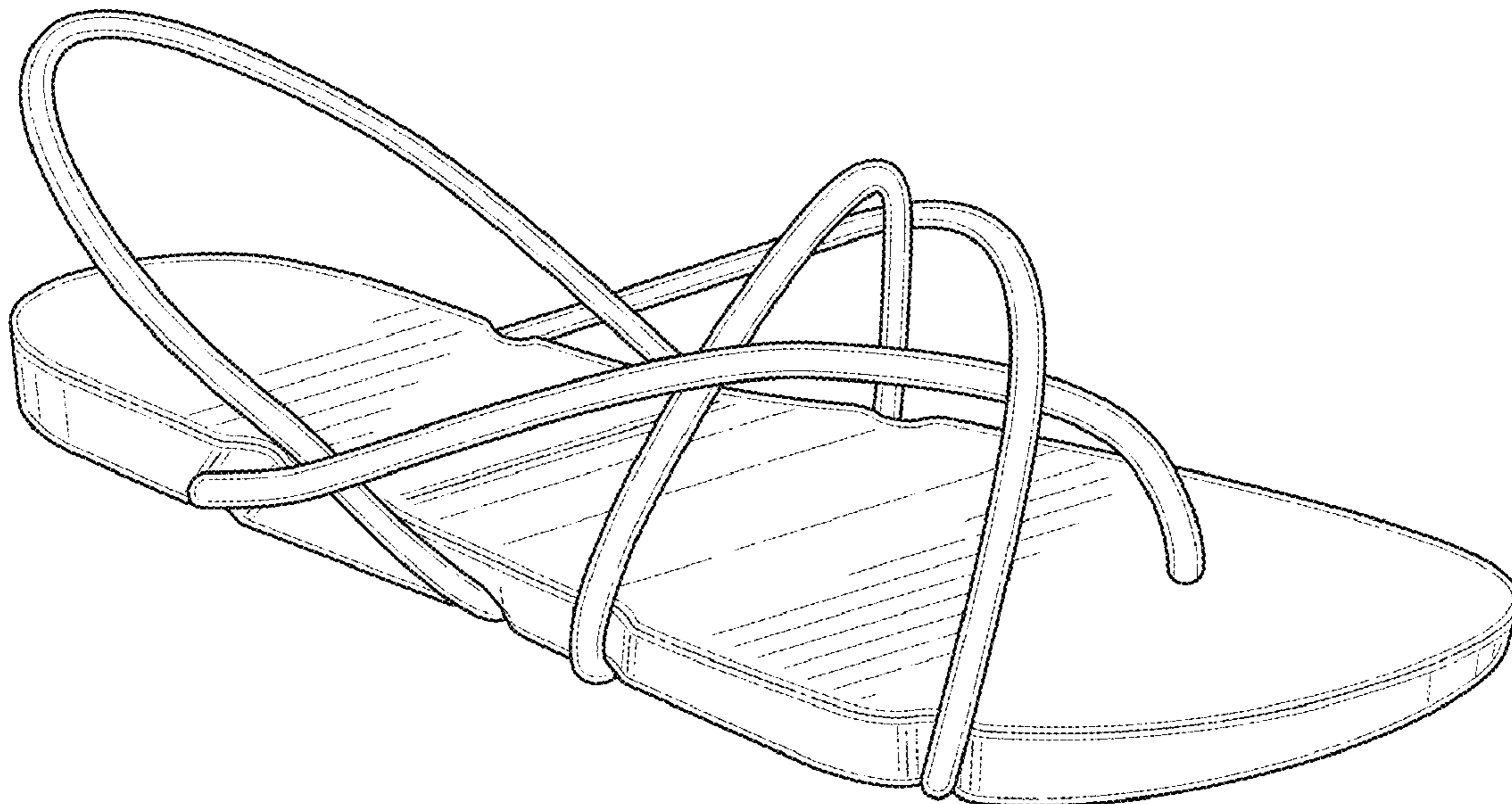
(57) **CLAIM**

The ornamental design for a sandal, as shown and described.

DESCRIPTION

FIG. 1 is a perspective view of a sandal of my new design. FIG. 2 is a top plan view of the sandal of FIG. 1. FIG. 3 is a bottom plan view of the sandal of FIG. 1. FIG. 4 is a left side elevation view of the sandal of FIG. 1. FIG. 5 is a right side elevation view of the sandal of FIG. 1. FIG. 6 is a front end view of the sandal of FIG. 1; and, FIG. 7 is a back end view of the sandal of FIG. 1. The broken lines in the drawings are included for the purpose of illustrating unclaimed features and form no part of the claimed design.

1 Claim, 4 Drawing Sheets



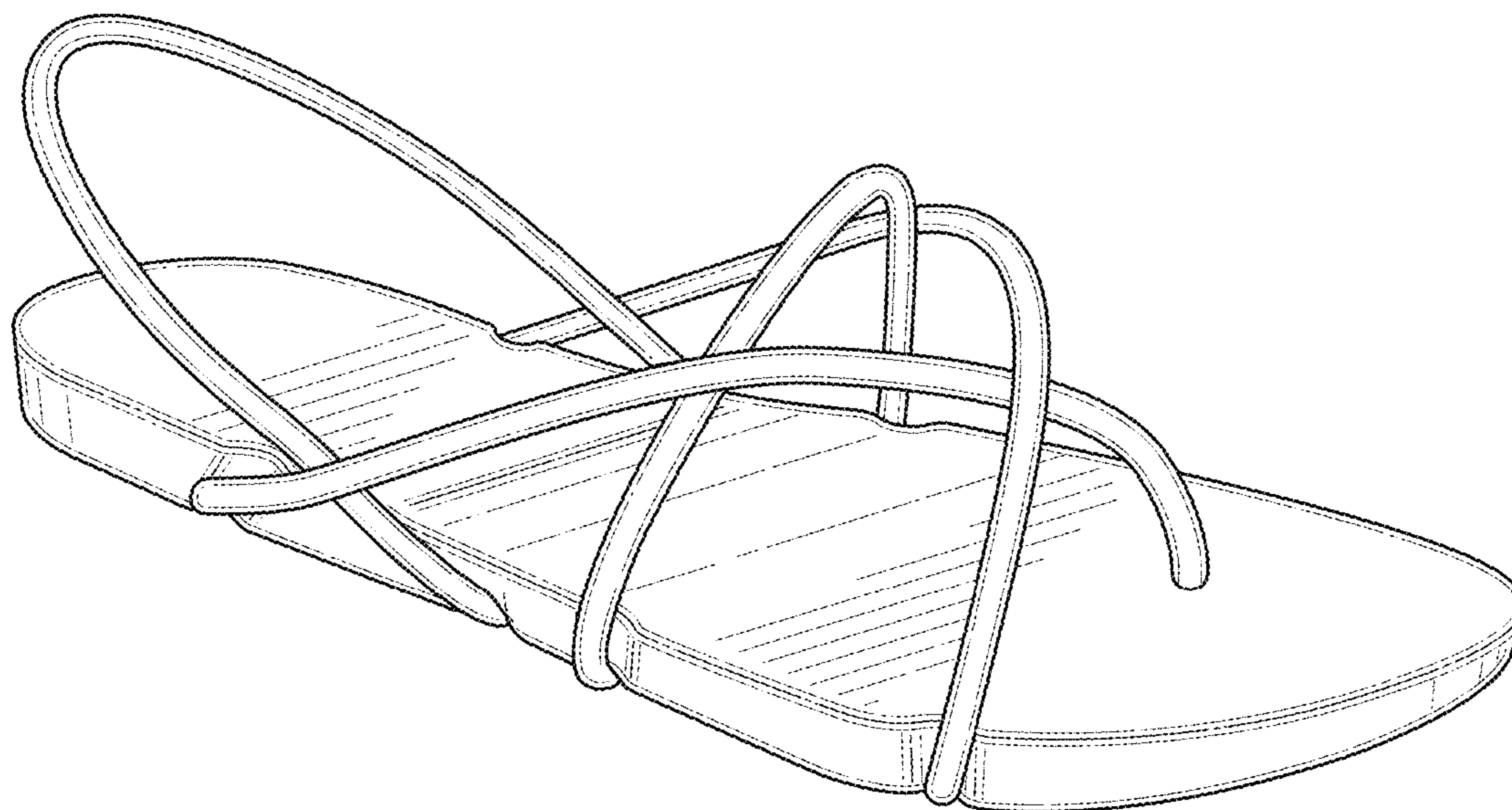


FIG. 1

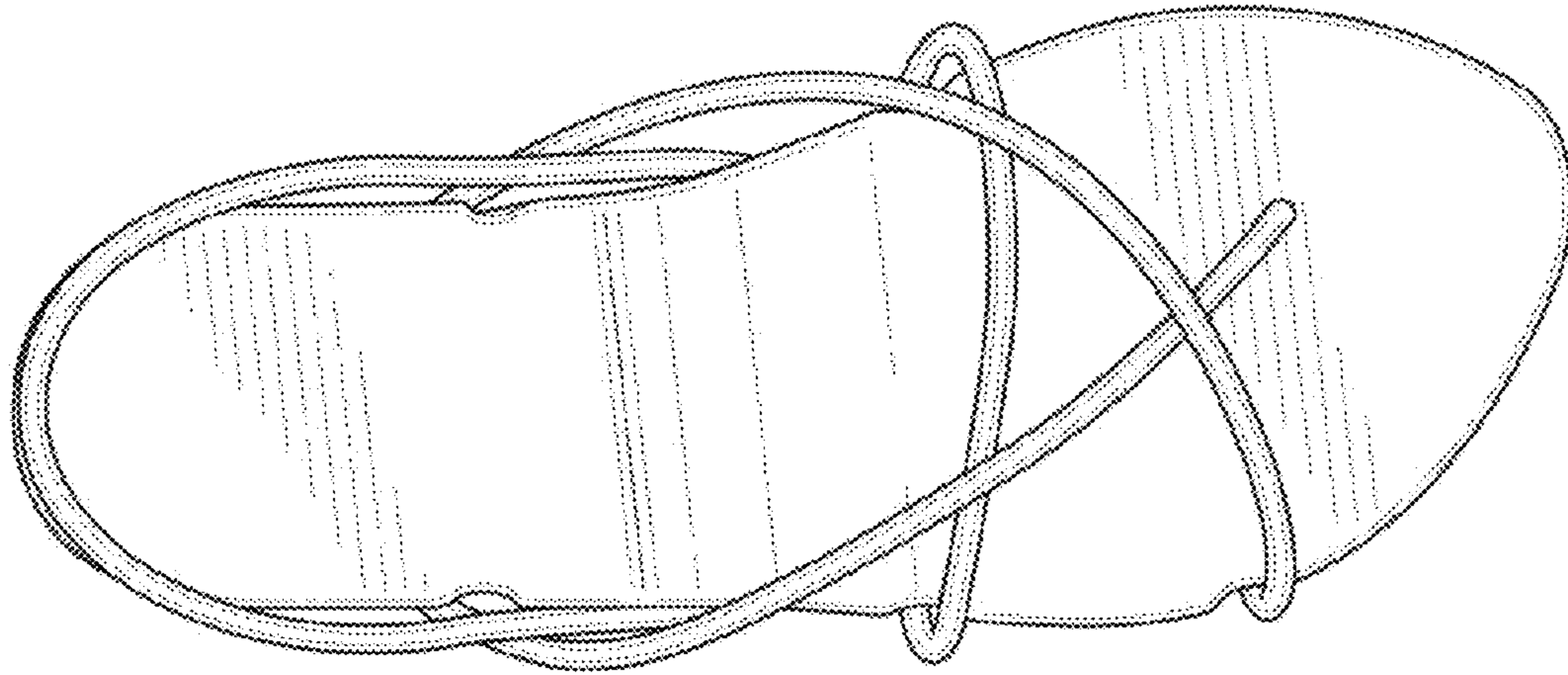


FIG. 2

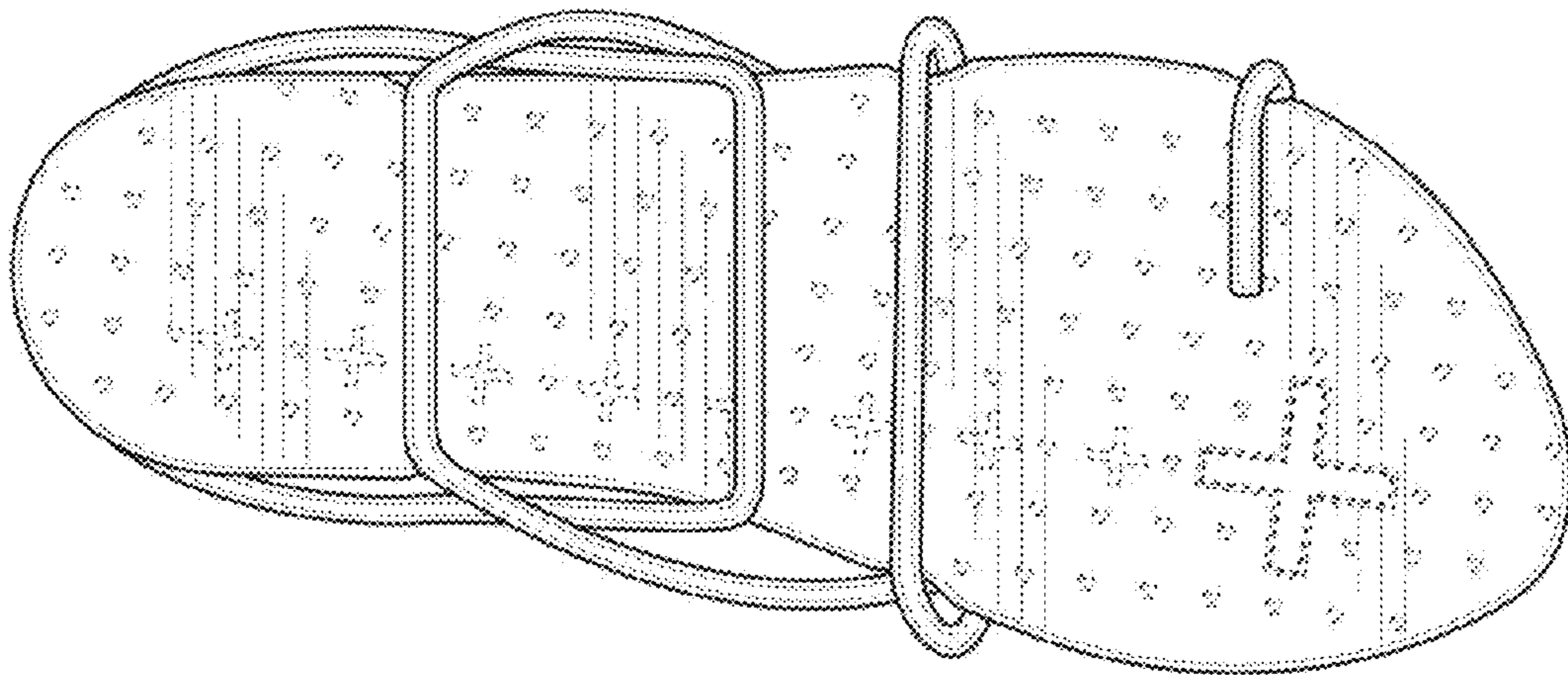


FIG. 3

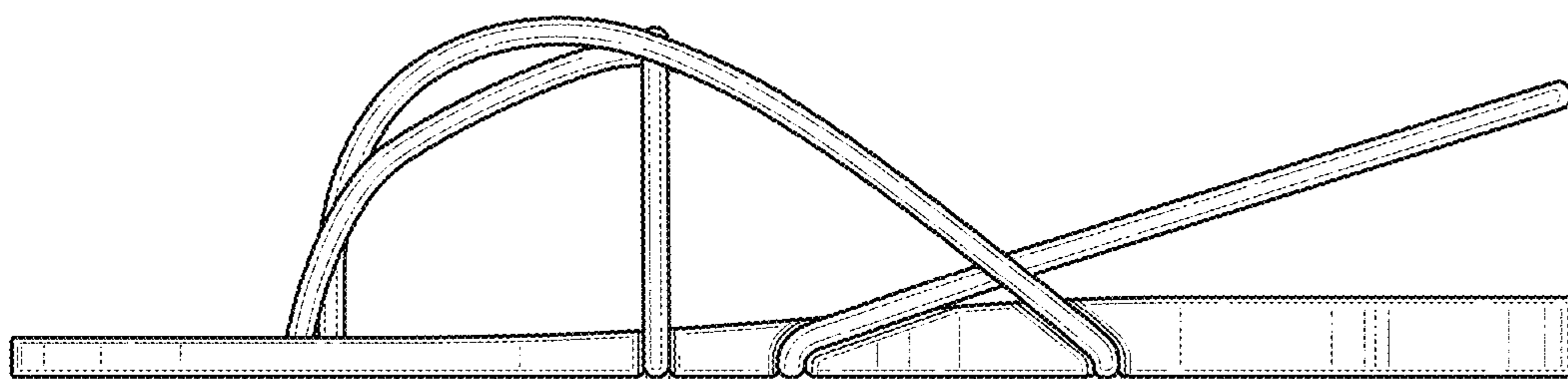


FIG. 4

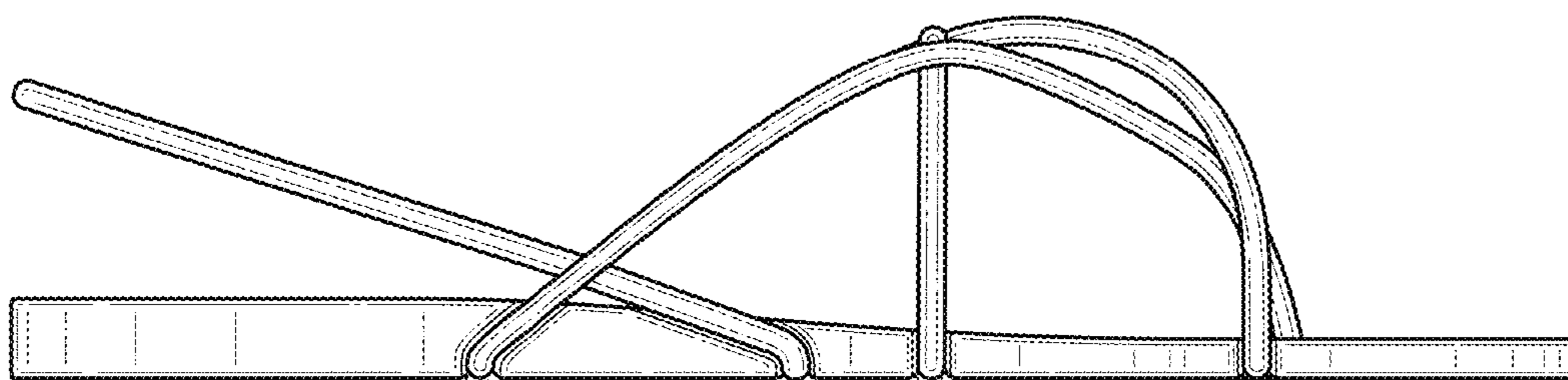


FIG. 5

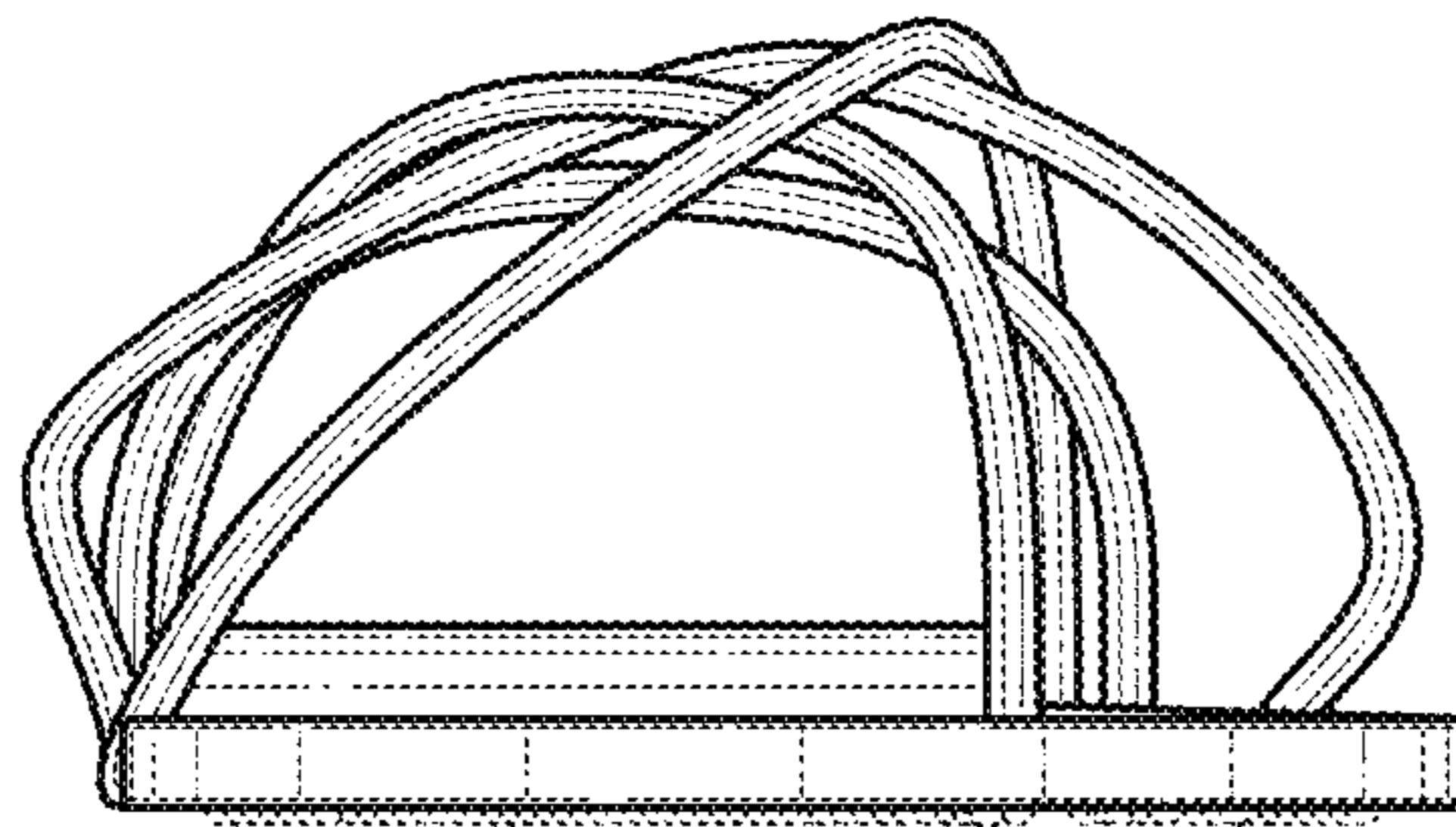


FIG. 6

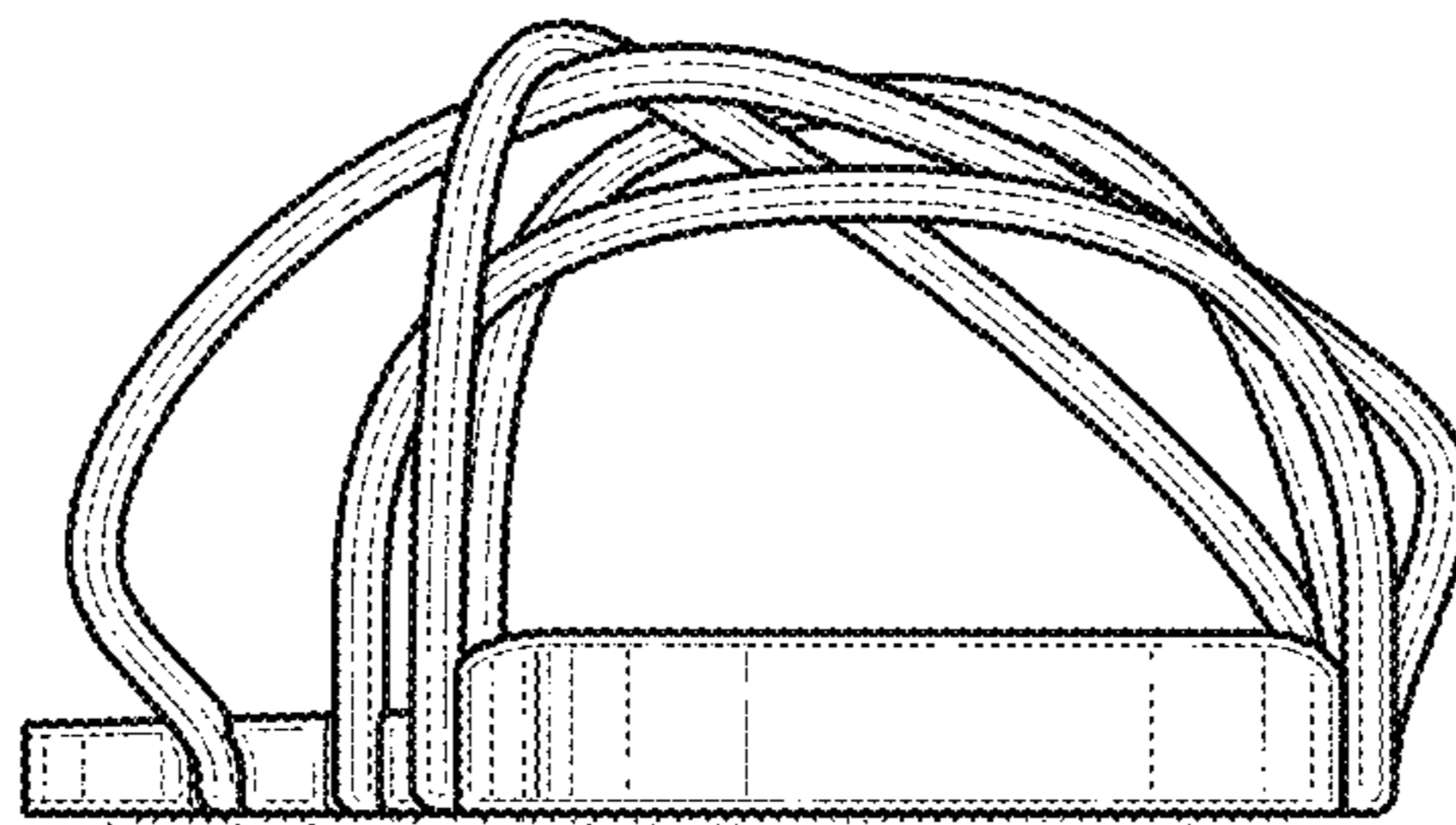


FIG. 7