



US00D770733S

(12) **United States Design Patent** (10) **Patent No.:** **US D770,733 S**
Hwang (45) **Date of Patent:** **** *Nov. 8, 2016**

(54) **HEADWEAR CAP WITH SIZE ADJUSTMENT STRAP**

(71) Applicant: **Yong Hoon Hwang**, Seoul (KR)

(72) Inventor: **Yong Hoon Hwang**, Seoul (KR)

(*) Notice: This patent is subject to a terminal disclaimer.

(**) Term: **14 Years**

(21) Appl. No.: **29/520,756**

(22) Filed: **Mar. 17, 2015**

(30) **Foreign Application Priority Data**

Sep. 17, 2014 (KR) 30-2014-0045023

(51) **LOC (10) Cl.** **02-03**

(52) **U.S. Cl.**
USPC **D2/891**

(58) **Field of Classification Search**
USPC D2/865, 866, 869, 872, 874, 877, 880, D2/881, 882, 884, 891, 895, 999; D5/1, 3, D5/39, 47, 53, 58, 61; D11/3, 6, 12, 19, D11/220, 22
CPC A42B 1/00; A42B 1/002; A42B 1/004; A42B 1/006; A42B 1/02; A42B 1/062; A42B 1/064; A42B 1/205; A42B 1/22; A42B 1/24

See application file for complete search history.

(56) **References Cited**

U.S. PATENT DOCUMENTS

D299,380 S * 1/1989 Wang 168/13
D364,040 S * 11/1995 Suskind D5/1
5,909,803 A * 6/1999 Clark A42B 1/22
2/195.2
D425,688 S * 5/2000 Richlin D2/865
D453,880 S * 2/2002 Cheynet D5/47

D613,948 S * 4/2010 Spitzer D5/37
D675,404 S * 2/2013 Parker D2/882
9,198,483 B2 * 12/2015 Adams A44B 18/0007
2003/0233696 A1 * 12/2003 Lee A42B 1/22
2/195.2
2004/0187191 A1 * 9/2004 Lee A42B 1/24
2/171
2014/0053319 A1 * 2/2014 Cho A42B 1/248
2/209.13
2014/0101820 A1 * 4/2014 Cho A42B 1/22
2/171
2016/0021961 A1 * 1/2016 Lacy A42B 1/02
2/195.4

FOREIGN PATENT DOCUMENTS

KR 30-2015-0012470 * 3/2015

* cited by examiner

Primary Examiner — Karen E. Eldridge Powers

Assistant Examiner — Jasmine Mlinarcik

(74) *Attorney, Agent, or Firm* — Hauptman Ham, LLP

(57) **CLAIM**

The ornamental design for a headwear cap with size adjustment strap, as shown and described.

DESCRIPTION

FIG. 1 is a perspective view of the headwear cap with size adjustment strap according to the invention; FIG. 2 is a front elevation view thereof; FIG. 3 is a rear elevation view thereof; FIG. 4 is a left side elevation view thereof; FIG. 5 is a right side elevation view thereof; FIG. 6 is a top plan view thereof; and, FIG. 7 is a bottom plan view thereof. FIG. 8 is an exploded view thereof; and, FIG. 9 is perspective view thereof, as shown in a condition of use.

The cap shown in broken lines represents environmental structure that forms no part of the claimed design.

1 Claim, 6 Drawing Sheets

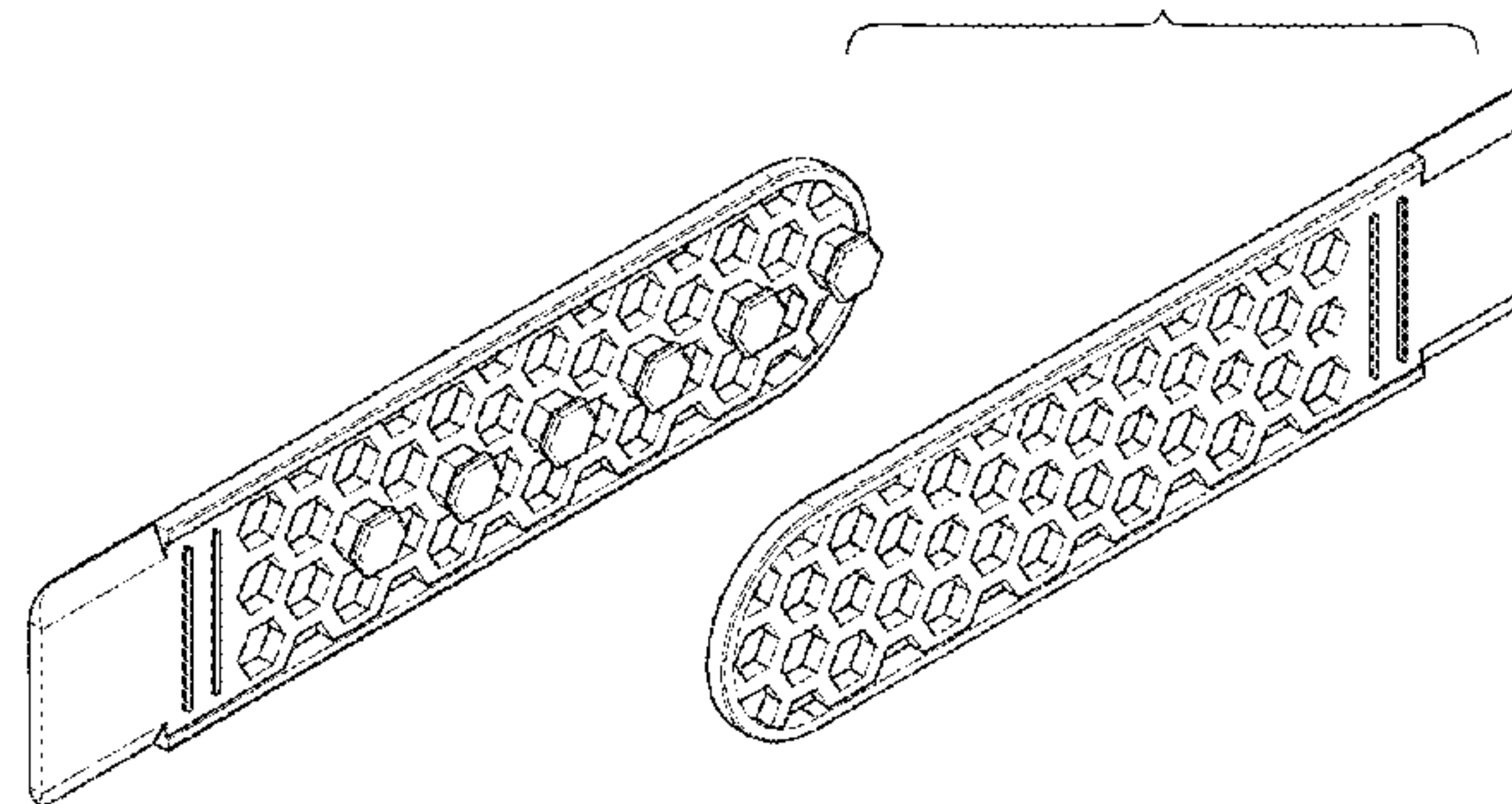
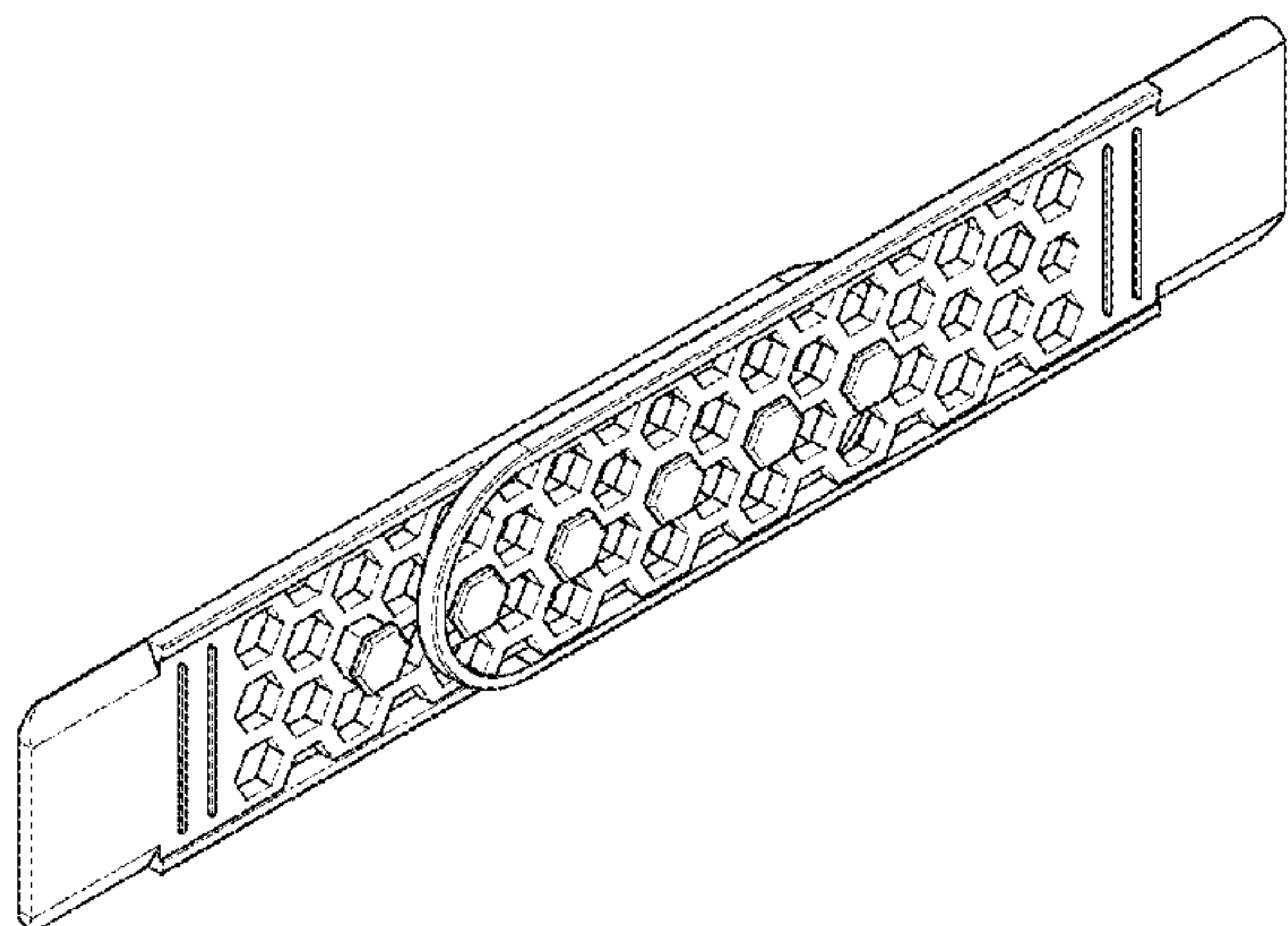


FIG. 1

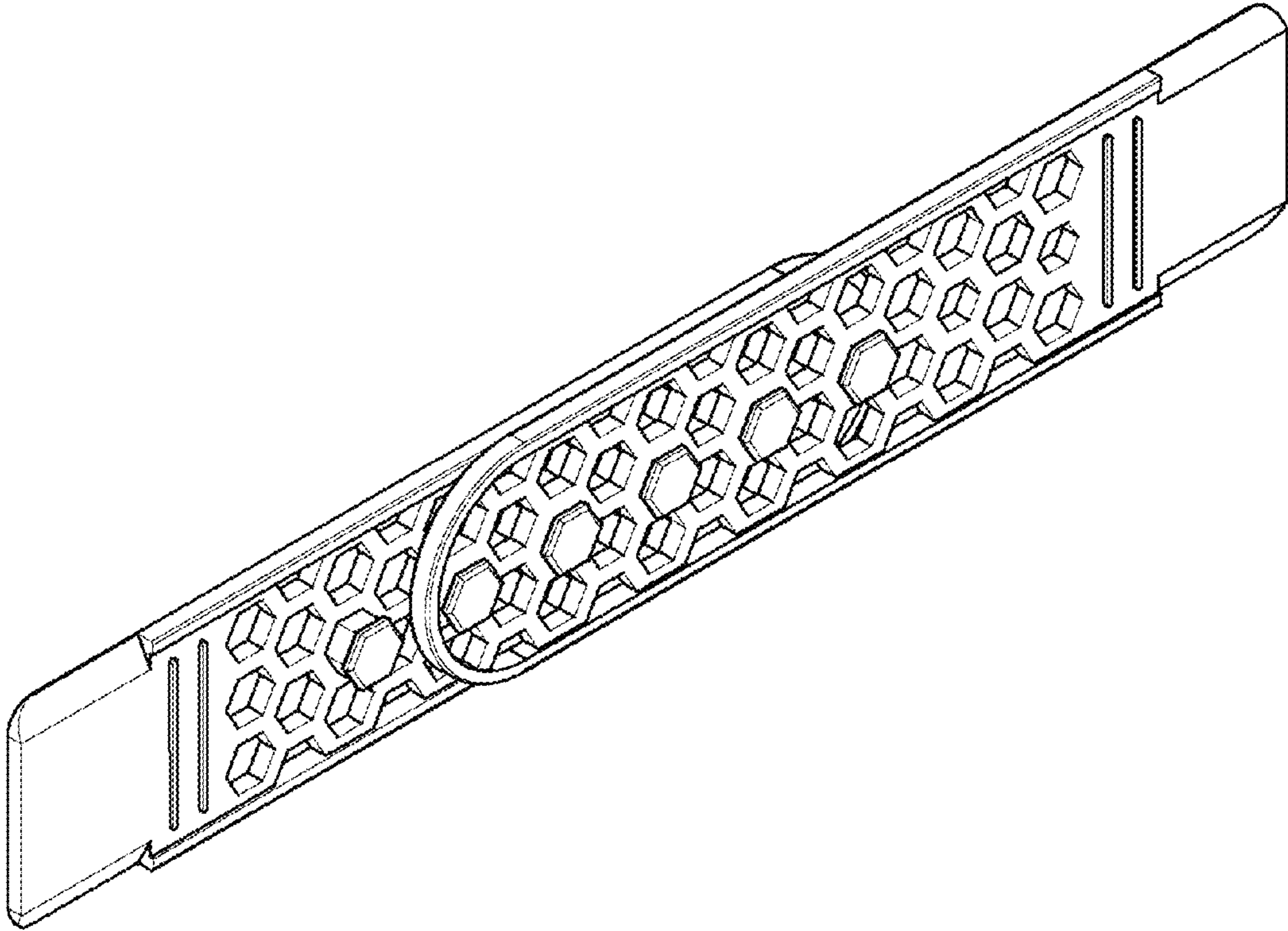


FIG. 2

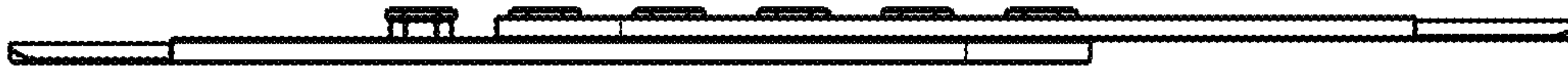


FIG. 3



FIG. 4

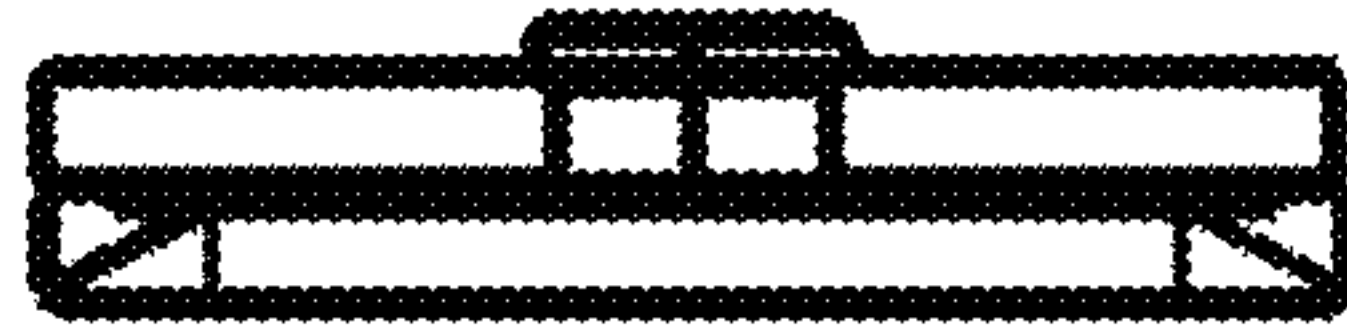


FIG. 5

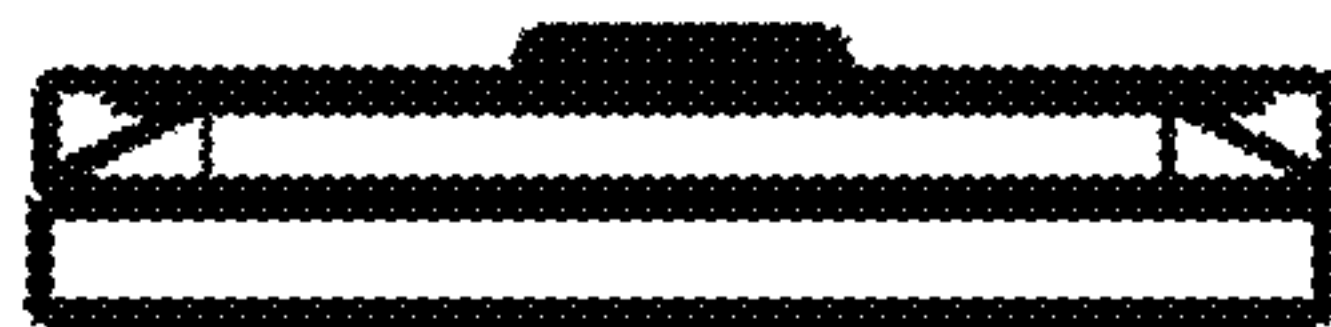


FIG. 6

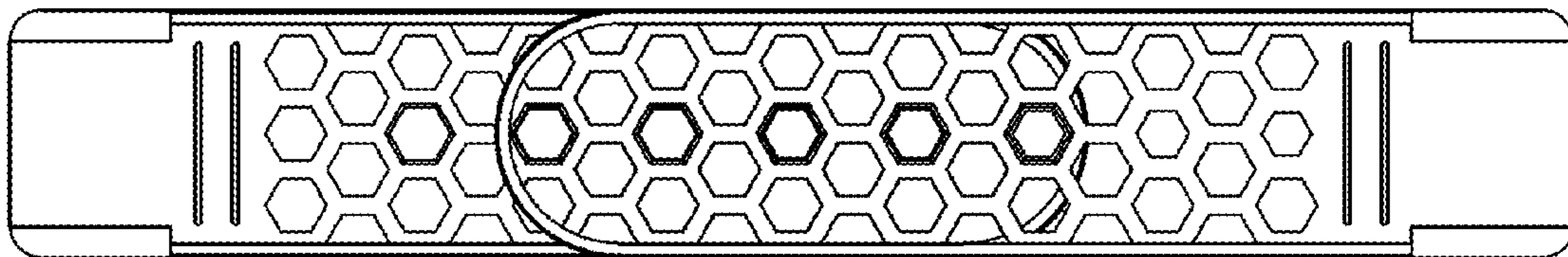


FIG. 7

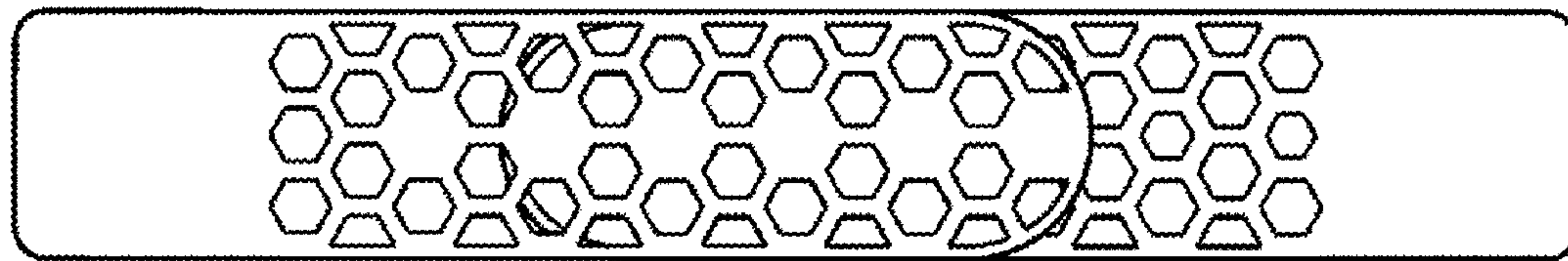


FIG. 8

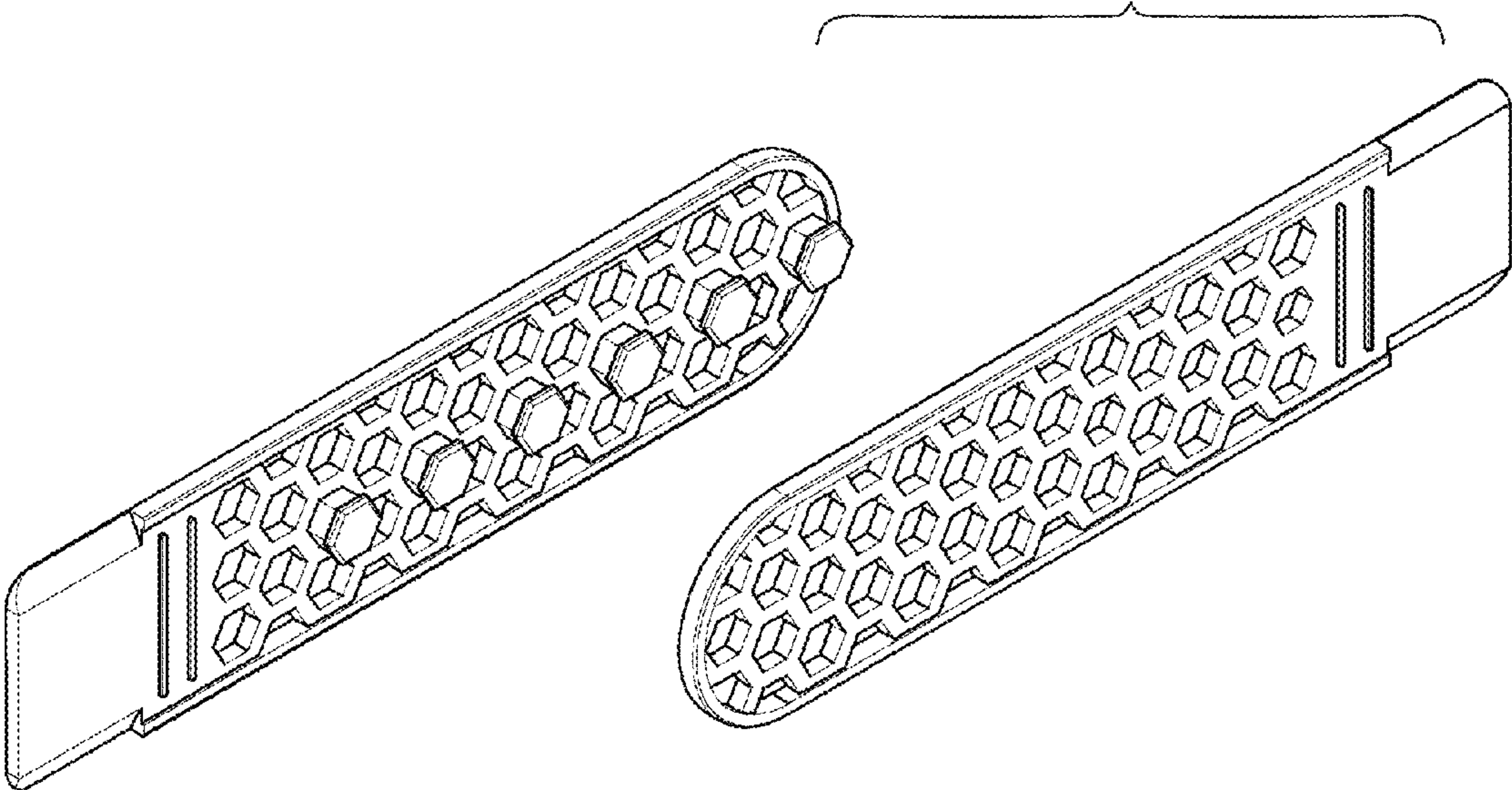


FIG. 9

