



US00D770731S

(12) **United States Design Patent** (10) **Patent No.:** **US D770,731 S**
Norman et al. (45) **Date of Patent:** **** Nov. 8, 2016**

(54) **SUN SHIELD GARMENT**

(71) Applicants: **Zachary Norman**, Venice, CA (US);
Natalie Youn, Venice, CA (US)

(72) Inventors: **Zachary Norman**, Venice, CA (US);
Natalie Youn, Venice, CA (US)

(**) Term: **15 Years**

(21) Appl. No.: **29/536,879**

(22) Filed: **Aug. 20, 2015**

Related U.S. Application Data

(63) Continuation-in-part of application No. 14/827,218,
filed on Aug. 14, 2015.

(51) **LOC (10) Cl.** **02-02**

(52) **U.S. Cl.**
USPC **D2/831**

(58) **Field of Classification Search**
USPC D2/831, 823, 878, 824, 825, 755;
2/108, 93, 69, 119, 46, 410; D29/101.2
CPC A41D 1/205; A41D 15/007; A41D
31/0011; A41D 10/00; A41D 1/22; A41D
1/04; A62B 17/006
See application file for complete search history.

(56) **References Cited**

U.S. PATENT DOCUMENTS

- 2,603,789 A * 7/1952 Straus A41D 10/00
2/108
- D382,091 S * 8/1997 Leahy D2/823
- D398,719 S * 9/1998 Ferguson D29/101.2
- D408,966 S * 5/1999 Lawrence D2/823
- D465,318 S * 11/2002 Guerrero, Jr. D2/878
- 7,028,342 B1 * 4/2006 Nordstrom A41D 1/04
2/119
- D593,282 S * 6/2009 Rogondino D2/831
- D603,139 S * 11/2009 Martin D2/823
- D629,178 S * 12/2010 Lindsay D2/824
- D655,894 S * 3/2012 Crye D2/831
- D672,534 S * 12/2012 Smith D2/878
- D681,918 S * 5/2013 Lopez D2/825

- D693,097 S * 11/2013 Austin D2/878
- D695,999 S * 12/2013 Colburn D2/755
- D709,671 S * 7/2014 Field D2/831
- 8,973,163 B1 * 3/2015 Kuever A41D 1/205
2/46

(Continued)

OTHER PUBLICATIONS

Demona Bear Half-Hoodie by Atobe333 on DeviantArt, Announced
Nov. 1, 2013, [Site Visited Jun. 23, 2016]<http://atobe333.deviantart.com/art/Demona-Bear-Half-Hoodie-410873872>.*

(Continued)

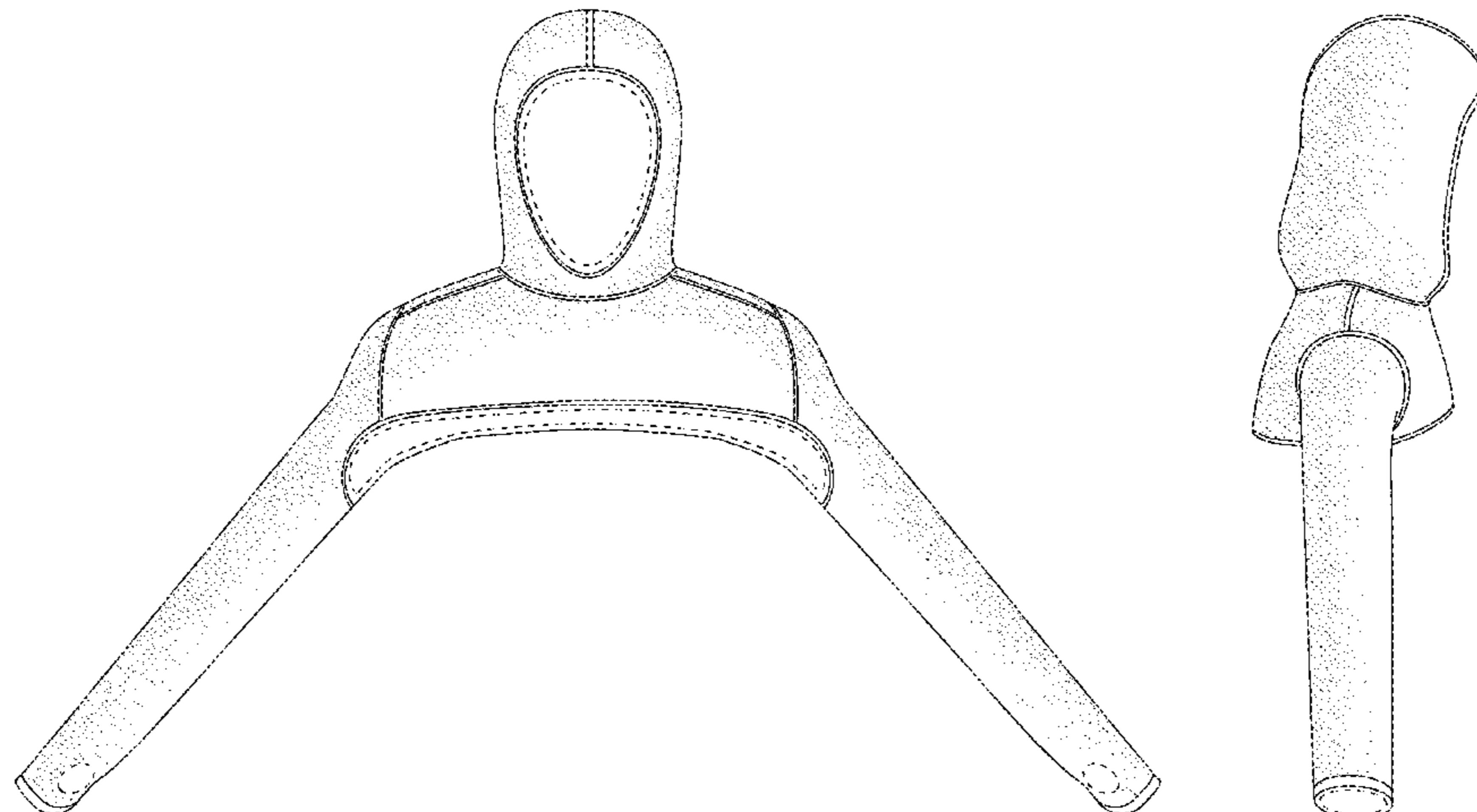
Primary Examiner — John Windmuller
Assistant Examiner — Luqman McNeil
(74) *Attorney, Agent, or Firm* — Pacifica IP

(57) **CLAIM**
The ornamental design for a sun shield garment, as shown
and described.

DESCRIPTION

FIG. 1 shows a front perspective view of a sun shield garment;
FIG. 2 shows a front view of the sun shield garment of FIG. 1;
FIG. 3 shows a rear view of the sun shield garment of FIG. 1;
FIG. 4 shows a right side view of the sun shield garment of FIG. 1;
FIG. 5 shows a left side view of the sun shield garment of FIG. 1;
FIG. 6 shows a bottom plan view of the sun shield garment of FIG. 1; and,
FIG. 7 shows a top plan view of the sun shield garment of FIG. 1.
The broken lines shown in the drawings form no part of the claimed design. The stippling shown in the drawings represents texture.

1 Claim, 5 Drawing Sheets



(56)

References Cited

U.S. PATENT DOCUMENTS

9,060,553 B2 * 6/2015 Crye A41D 15/007
D734,594 S * 7/2015 Phillips D2/880
D746,549 S * 1/2016 Sweeney Amador D2/831
2004/0199976 A1 * 10/2004 Hunt A41D 1/22
2/93
2005/0044605 A1 * 3/2005 Hofmann A62B 17/006
2/69
2016/0044979 A1 * 2/2016 Norman A41D 31/0011
2/410

OTHER PUBLICATIONS

Hip Hop Style Inspiration: How to Dress Like Girls From Honey,
Announced Aug. 26, 2008 [Site Visited Jun. 23, 2016]<http://midorilei.com/hip-hop-style-inspiration/>.
Athlete AH02 Hooded Shrug Top, No Date Available, [Site Visited
Jun. 23, 2016] <https://www.athletebeyond.com/products/athlete-womens-hooded-shrug-top-style-ah02?variant=9605361157>.

* cited by examiner

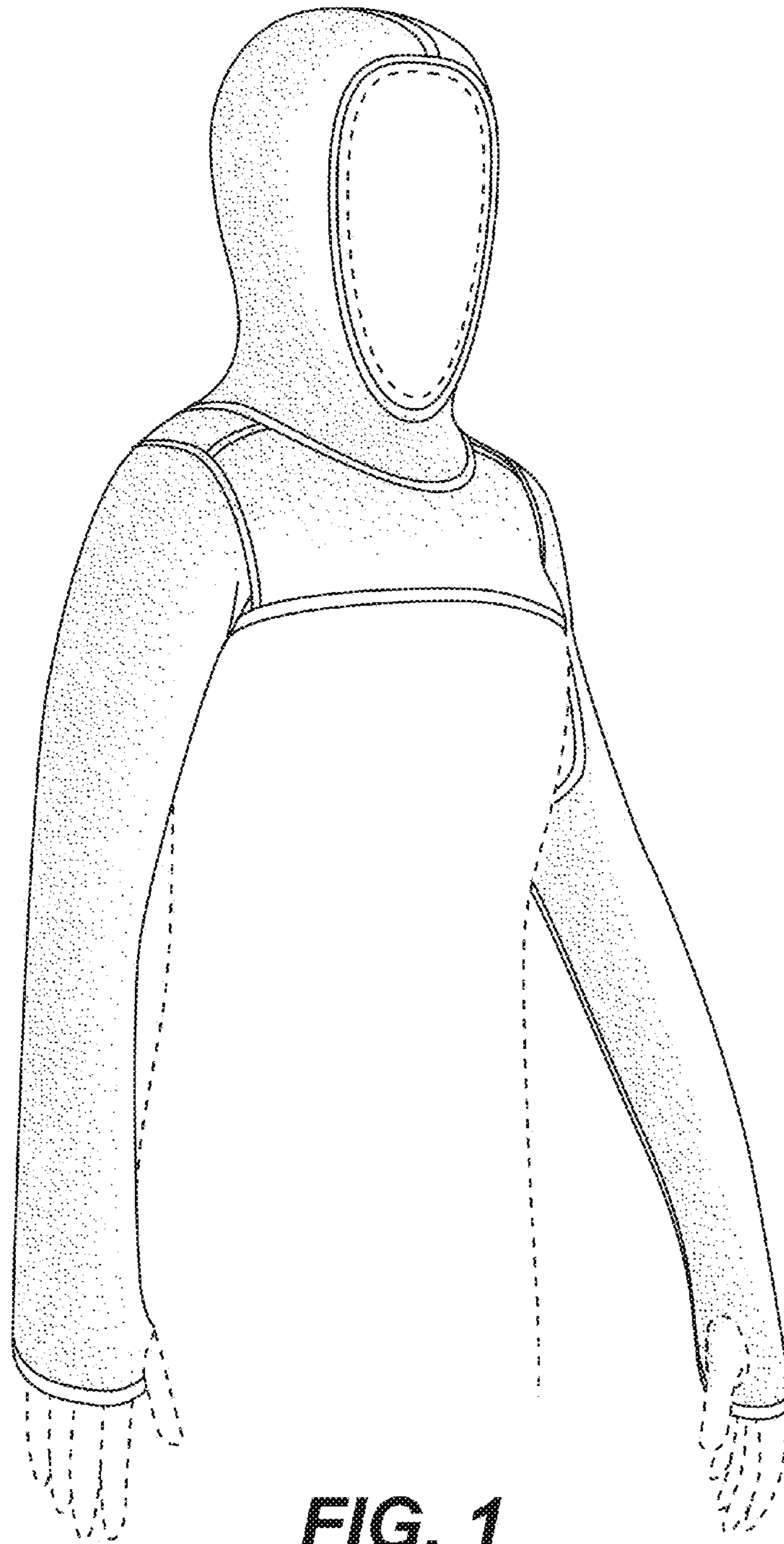


FIG. 1

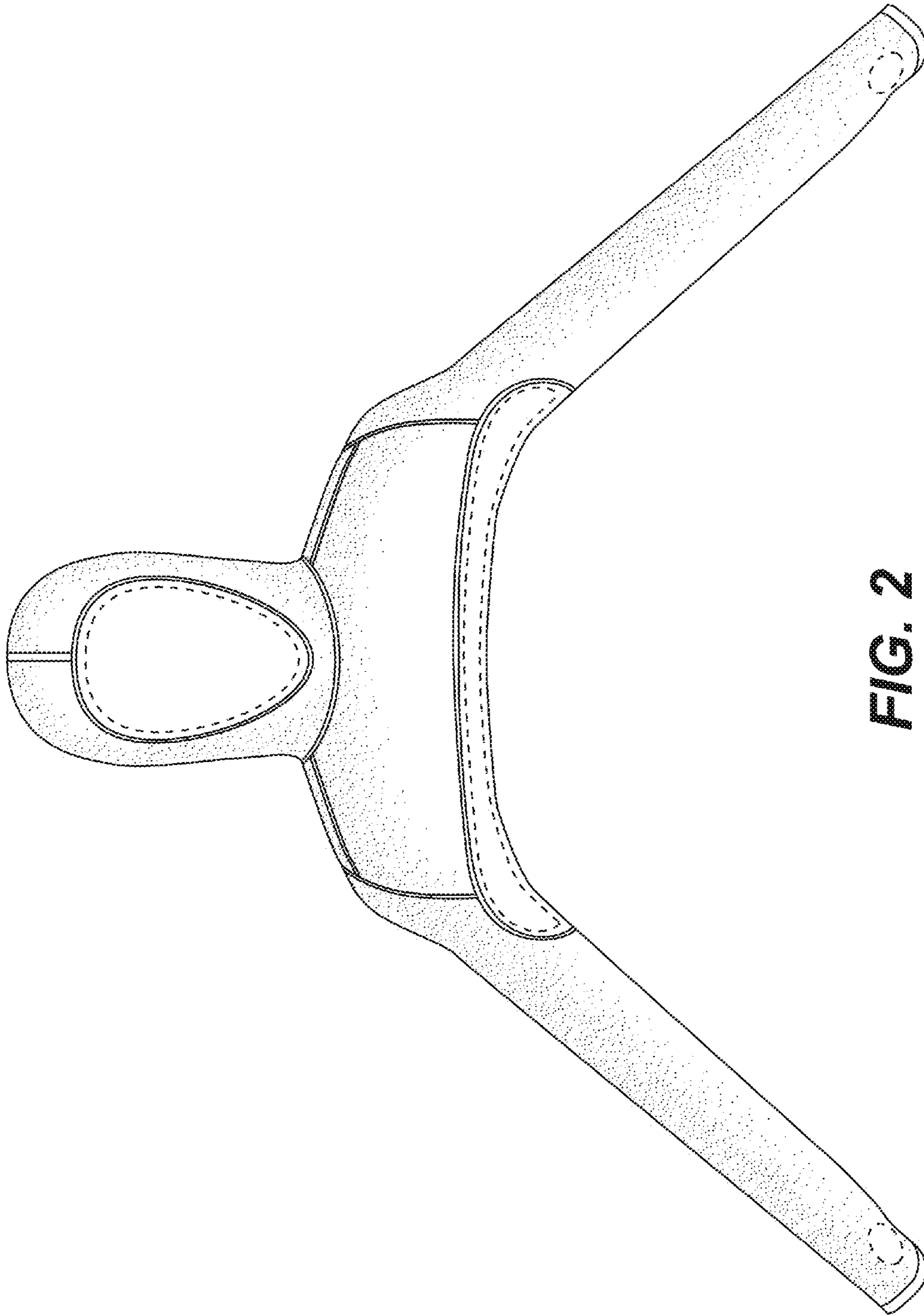


FIG. 2

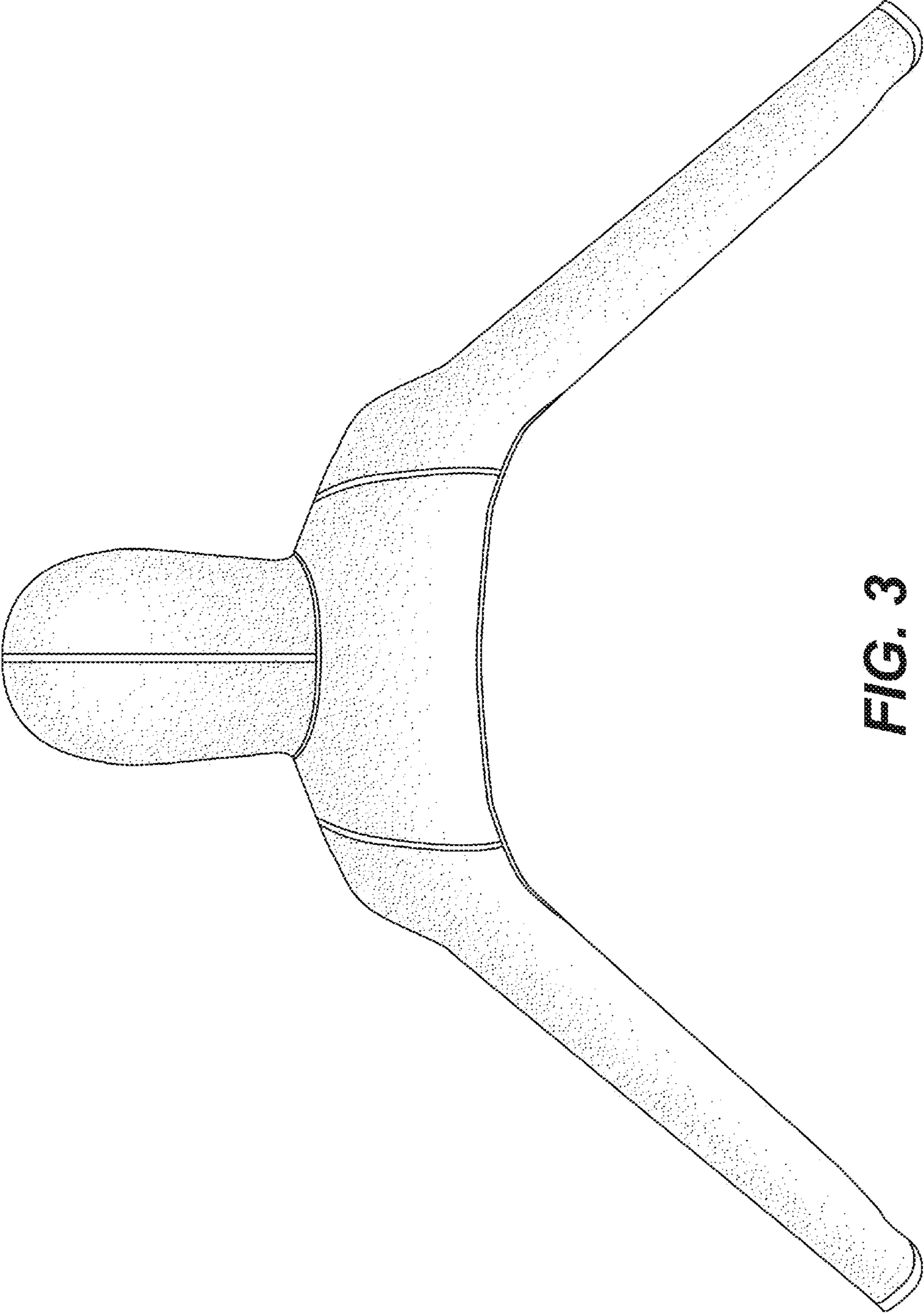


FIG. 3

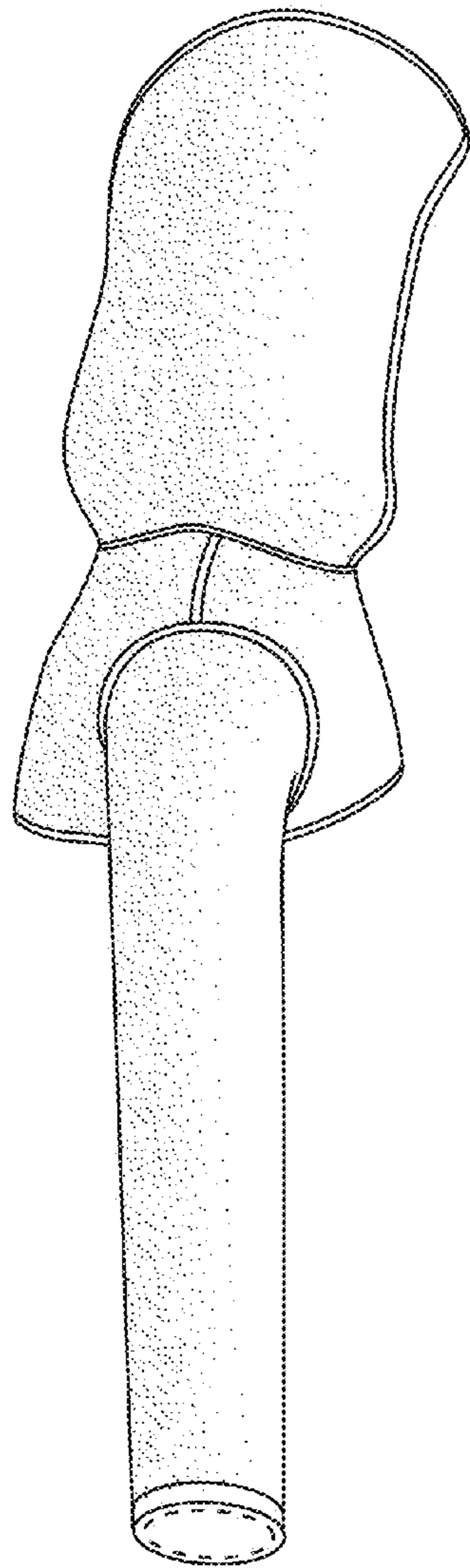


FIG. 4

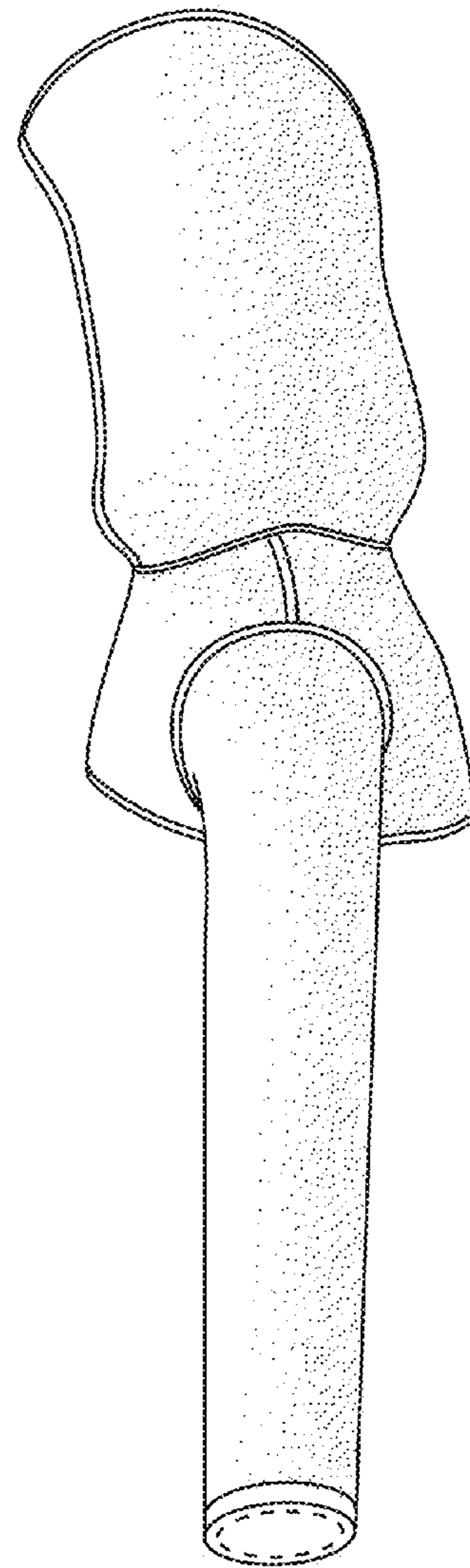


FIG. 5

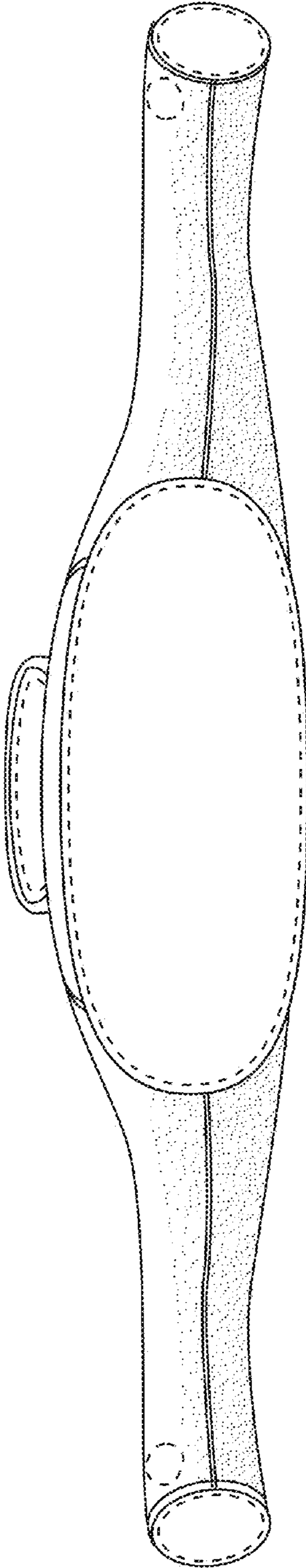


FIG. 6

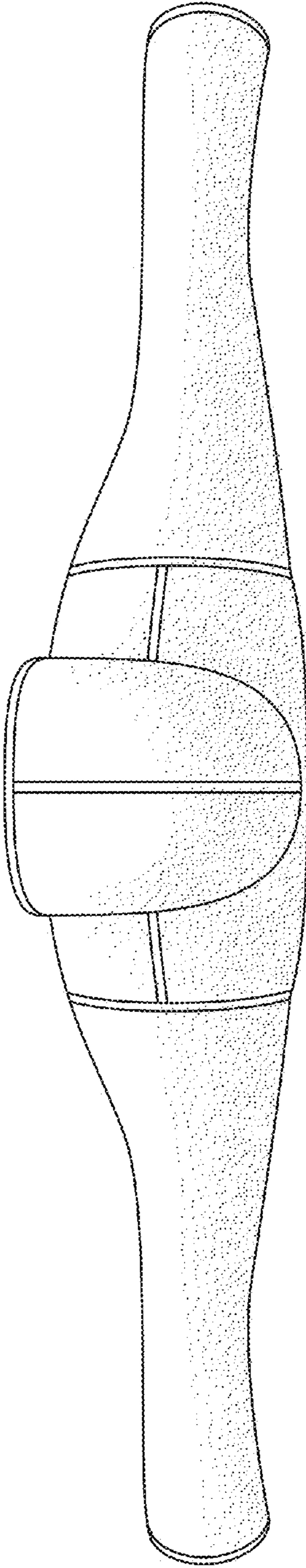


FIG. 7