



US00D770730S

(12) **United States Design Patent** (10) **Patent No.:** **US D770,730 S**  
**Borovicka** (45) **Date of Patent:** **\*\* Nov. 8, 2016**

(54) **GARMENT**

FOREIGN PATENT DOCUMENTS

(71) Applicant: **NIKE, Inc.**, Beaverton, OR (US)

CN 302003508 \* 7/2012  
CN 303052922 \* 12/2014

(72) Inventor: **Vanessa L. Borovicka**, Lake Oswego, OR (US)

(Continued)

(73) Assignee: **NIKE, Inc.**, Beaverton, OR (US)

OTHER PUBLICATIONS

(\*\*) Term: **15 Years**

Official Nike Tech Fleece Thread\*\*—See FAQ on First Page, Announced Oct. 23, 2014 [ Site Visited Jun. 22, 2016 ]http://niketalk.com/t/586410/official-nike-tech-fleece-thread-see-faq-on-first-page/4530.\*

(21) Appl. No.: **29/541,954**

(Continued)

(22) Filed: **Oct. 9, 2015**

(51) **LOC (10) Cl.** ..... **02-02**

(52) **U.S. Cl.**

USPC ..... **D2/828**

(58) **Field of Classification Search**

USPC ..... D2/829, 839, 828; 2/2.5, 102, 69; 601/119; D21/805, 829

CPC .... B63C 9/087; A63B 71/10; A63B 21/065; A41D 13/0153; A41D 13/002; A61H 7/001

See application file for complete search history.

*Primary Examiner* — John Windmuller

*Assistant Examiner* — Luqman McNeil

(74) *Attorney, Agent, or Firm* — Banner & Witcoff, Ltd.

(57) **CLAIM**

The ornamental design for a garment, as shown and described.

**DESCRIPTION**

FIG. 1 is a front perspective view of a garment showing my new design in an in-use configuration; FIG. 2 is a front view thereof; FIG. 3 is a rear view thereof; FIG. 4 is a side view thereof; FIG. 5 is a second side view thereof; FIG. 6 is a top view thereof; and, FIG. 7 is a bottom view thereof.

The broken lines immediately adjacent to the shaded area represent unclaimed boundaries of the design. The unshaded regions, demarcated by broken lines, represent unclaimed portions of the garment and form no part of the claimed design. The broken lines showing the remainder of the garment are for environmental purposes only and form no part of the claimed design. The contrast shading represents a contrast in appearance only and does not represent any particular color, material, texture or finish.

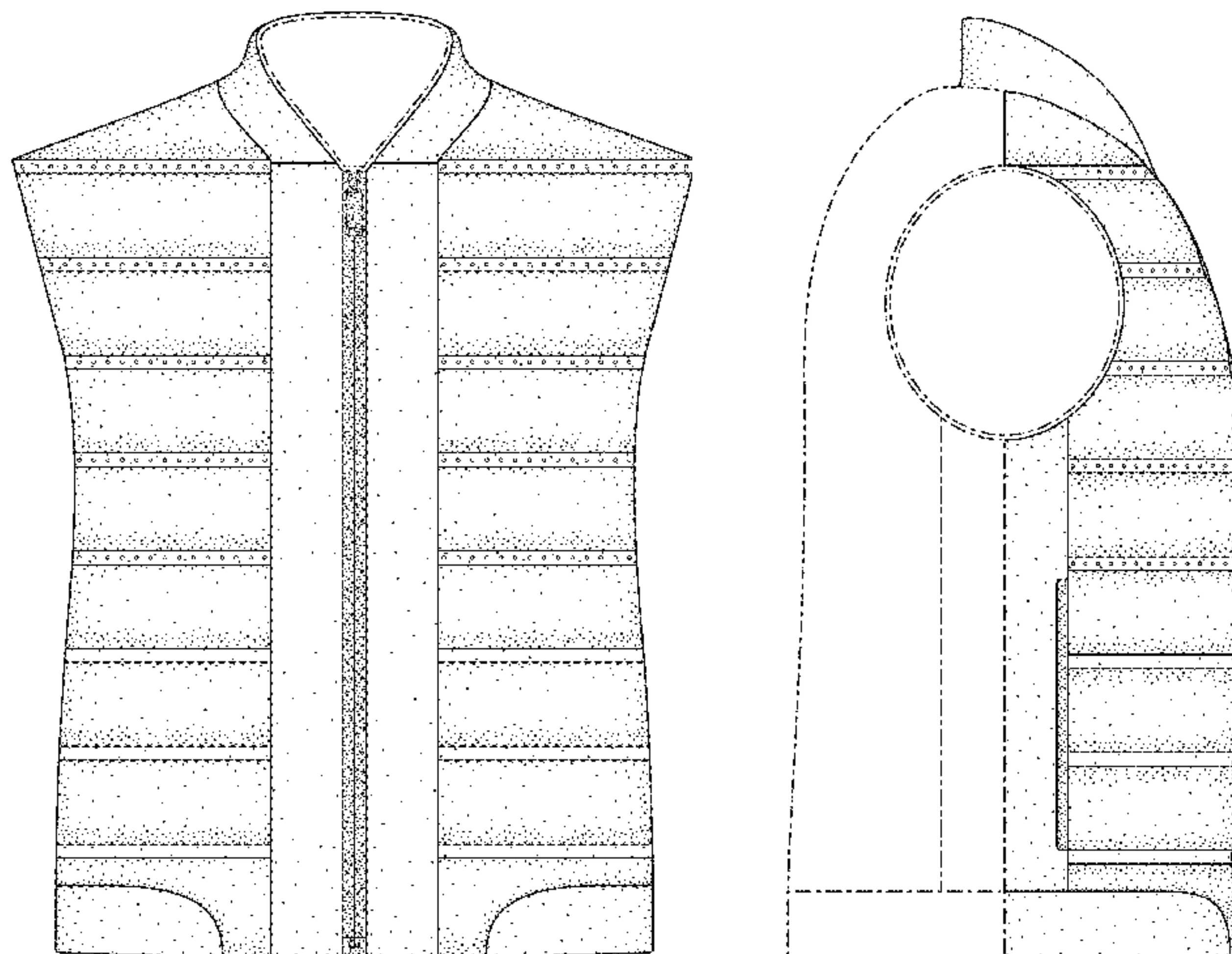
(56) **References Cited**

U.S. PATENT DOCUMENTS

339,920 A	4/1886	Patjme	
1,657,866 A	1/1928	Mooney	
D113,203 S	1/1939	Feigenbaum	
D113,204 S	1/1939	Zucker et al.	
D115,592 S	7/1939	Shapiro et al.	
D118,524 S	1/1940	Zelinka	
D139,535 S	11/1944	Bauer	
D157,696 S	3/1950	Paque	
2,669,721 A	2/1954	Koch Max	
D194,967 S	4/1963	Bauer	
3,116,489 A	1/1964	Weiss	
3,398,406 A *	8/1968	Waterbury	..... B63C 9/087 2/2.5
3,883,914 A	5/1975	Blair	
3,988,780 A	11/1976	Armellino	
4,084,264 A	4/1978	Marion	
4,149,272 A	4/1979	Maeshima	

(Continued)

**1 Claim, 7 Drawing Sheets**





(56)

References Cited

U.S. PATENT DOCUMENTS

D255,056 S 5/1980 Parsons  
 4,322,858 A \* 4/1982 Douglas ..... A63B 71/10  
 2/2.5  
 4,602,387 A \* 7/1986 Zakrzewski ..... A63B 21/065  
 2/102  
 4,619,622 A 10/1986 McDonald et al.  
 D298,474 S 11/1988 Twede  
 D309,665 S \* 8/1990 Moseley ..... D2/829  
 D330,106 S \* 10/1992 Aubuchon ..... D2/828  
 5,465,424 A \* 11/1995 Cudney ..... A41D 13/0153  
 2/102  
 D367,551 S 3/1996 Chalbeck et al.  
 D374,329 S 10/1996 Wilde  
 D385,088 S 10/1997 Handysides  
 D402,788 S \* 12/1998 Blankenship, Jr. .... D2/829  
 D414,913 S \* 10/1999 Katz ..... D2/829  
 D478,708 S 8/2003 Miros et al.  
 D479,902 S 9/2003 Brown  
 6,654,963 B2 12/2003 Fayle et al.  
 D508,601 S \* 8/2005 Hoyt ..... D2/839  
 D516,777 S 3/2006 Beck  
 D541,010 S \* 4/2007 Boucher ..... D2/829  
 D580,632 S 11/2008 Adams et al.  
 D588,783 S 3/2009 Olstorn  
 D618,440 S 6/2010 Parker  
 D620,231 S 7/2010 Parker  
 D621,132 S 8/2010 Crisp  
 D622,032 S 8/2010 Lambertz  
 D622,033 S 8/2010 Lambertz  
 D622,034 S 8/2010 Lambertz  
 D622,035 S 8/2010 Lambertz  
 D625,078 S 10/2010 Scott-Curran  
 D626,725 S 11/2010 Snyder et al.  
 D631,230 S 1/2011 Ruffini  
 D633,690 S 3/2011 Tronvold  
 D633,691 S 3/2011 Tronvold  
 D636,973 S 5/2011 Smith et al.  
 D637,794 S 5/2011 Gosse  
 D638,200 S 5/2011 Gorson  
 D638,201 S 5/2011 Gosse  
 D638,202 S 5/2011 Gosse  
 D639,023 S 6/2011 Iamartino et al.  
 D641,137 S 7/2011 Evans et al.  
 D642,770 S 8/2011 Bengyak  
 D643,577 S 8/2011 Bulan et al.  
 D653,430 S \* 2/2012 Pouches ..... D2/829  
 D654,659 S 2/2012 Scott-Curran  
 D654,664 S 2/2012 Evans et al.  
 D656,301 S 3/2012 Randall  
 D662,282 S 6/2012 Meunier-Bouchard  
 D662,285 S 6/2012 Rushworth  
 D675,400 S \* 2/2013 Mertes ..... D2/839  
 D679,072 S 4/2013 Abbevik et al.  
 D685,158 S 7/2013 Lambertz  
 D685,159 S \* 7/2013 Lambertz ..... D2/829  
 D685,160 S 7/2013 Savage  
 D687,619 S 8/2013 Savage  
 D689,262 S 9/2013 Passman  
 D689,263 S 9/2013 Passman  
 D692,082 S \* 10/2013 Lee ..... D21/805  
 D693,095 S 11/2013 Grant  
 D695,491 S 12/2013 Hawkins et al.  
 D698,123 S 1/2014 Yu et al.  
 D698,525 S 2/2014 Roberts et al.  
 D698,526 S 2/2014 Roberts et al.  
 D698,528 S \* 2/2014 Roberts ..... D2/839  
 D702,419 S 4/2014 Mertes  
 D702,920 S 4/2014 Chaney  
 D703,922 S \* 5/2014 Roberts ..... D2/829  
 D704,418 S 5/2014 Holmes  
 D704,419 S 5/2014 Holmes  
 D704,924 S 5/2014 Roberts et al.  
 D707,423 S \* 6/2014 Pezzimenti ..... D2/829  
 D707,424 S \* 6/2014 Pezzimenti ..... D2/829  
 D710,573 S \* 8/2014 Pezzimenti ..... D2/829

D713,128 S \* 9/2014 Pezzimenti ..... D2/828  
 D713,620 S \* 9/2014 Pezzimenti ..... D2/828  
 D713,621 S \* 9/2014 Pezzimenti ..... D2/828  
 D714,022 S \* 9/2014 Mong ..... D2/828  
 D714,526 S 10/2014 Ingram  
 D714,527 S 10/2014 Borovicka  
 D716,022 S 10/2014 Judge et al.  
 D719,722 S 12/2014 Bublak  
 D734,922 S \* 7/2015 Docker ..... D2/829  
 D736,497 S 8/2015 Harris  
 D746,548 S 1/2016 Ingram  
 D746,551 S 1/2016 Ingram  
 D755,478 S \* 5/2016 Grosbol ..... D2/828  
 2004/0153012 A1 \* 8/2004 Schroeder ..... A61H 7/001  
 601/19  
 2013/0276201 A1 \* 10/2013 Pezzimenti ..... A41D 13/002  
 2/69

FOREIGN PATENT DOCUMENTS

GB 000796879 A 6/1958  
 NO 20090182-0010 \* 11/2009  
 WO 0011979 A1 3/2000

OTHER PUBLICATIONS

Nike Golf Introduces New Aeroloft Jackets, Announced Sep. 16, 2015 [ Site Visited Jun. 22, 2016 ] <http://ngnation.com/2015/09/15/nike-golf-introduces-aeroloft-jackets/>.\*

Nike Areoloft Poly Filled Vest, Announced Jul. 31, 2015 [ Site Visited Jun. 22, 2016 ] <http://www.midlandsgolfonline.com/nike-golf/product/nike-aeroloft-poly-filled-vest/>.\*

Fashion Sense: The Bubble Vest Explosion, Announced Nov. 12, 2012 [ Site Visited Jun. 22, 2016 ] <http://www.thekongblog.com/2012/11/fashion-sense-bubble-vest-explosion.html>.\*

Nike Apparel Catalog, 2010 Fall ACG, p. 15, published date unknown, but prior to the filing date of the present application, NIKE, Inc., USA.

Nike Apparel Catalog, 2010 Fall ACG, p. 16, published date unknown, but prior to the filing date of the present application, NIKE, Inc., USA.

Nike Apparel Catalog, 2010 Fall Apparel, p. 17, published 2010, NIKE, Inc., USA.

Nike Apparel Catalog, 2010 Fall Apparel, p. 20, published date unknown, but prior to the filing date of the present application, NIKE, Inc., USA.

Nike Apparel Catalog, 2010 Holiday Women's Athletic Department Classics, p. 9, published 2010, NIKE, Inc., USA.

Nike Apparel Catalog, 2010 Holiday Young Athletes, p. 47, published date unknown, but prior to the filing date of the present application, NIKE, Inc., USA.

Nike Apparel Catalog, 2010 Holiday Young Athletes, p. 62, published date unknown, but prior to the filing date of the present application, NIKE, Inc., USA.

Nike Apparel Catalog, 2011 Fall Boys' Apparel, p. 22, published 2011, NIKE, Inc., USA.

Nike Apparel Catalog, 2011 Fall Girls' Apparel, p. 8, published 2011, NIKE, Inc., USA.

Nike Apparel Catalog, 2011 Fall Men's Athletic Department Classics, p. 57, published 2011, NIKE, Inc., USA.

Nike Apparel Catalog, 2011 Holiday Boys, p. 25, published date unknown, but prior to the filing date of the present application, NIKE, Inc., USA.

Nike Apparel Catalog, 2011 Holiday Girls, p. 12, published date unknown, but prior to the filing date of the present application, NIKE, Inc., USA.

Nike Apparel Catalog, 2011 Holiday Men's Athletic Dept Classic, p. 1, published date unknown, but prior to the filing date of the present application, NIKE, Inc., USA.

Nike Apparel Catalog, 2011 Holiday Women's Performance, p. 51, published date unknown, but prior to the filing date of the present application, NIKE, Inc., USA.

(56)

**References Cited**

OTHER PUBLICATIONS

London Cyclist, "Waterproof cycling jacket guide," <http://www.londoncyclist.co.uk/waterproof-cycling-jacket/>, retrieved from Internet Jan. 22, 2016, published Oct. 21, 2010, pp. 3-4.  
Bike Lights Review, "Altura Night Vision Evo Jacket Review," <http://www.bikelightsreview.com/jackets/altura-night-vision-evo/>, retrieved from internet Jan. 22, 2016, published Sep. 11, 2011, p. 2.  
The Greatcaster, "Columbia Sportswear TurboDown Insulation," [http://www.thegearcaster.com/2013/11/columbia-sportswear-](http://www.thegearcaster.com/2013/11/columbia-sportswear-turbo-down-insulation.html)

[turbo-down-insulation.html](http://www.thegearcaster.com/2013/11/columbia-sportswear-turbo-down-insulation.html), retrieved from internet Jan. 22, 2016, published Nov. 13, 2013, p. 2.

Blurgh the Thinkgeek Blog, "Top Ten List: Top 10 Fictional Uniforms We Want to Wear to Work," <http://www.thinkgeek.com/blog/2015/03/tldr-top-ten-list-top-10-ficti-2.html>, retrieved from internet Jan. 22, 2016, published date unknown, but prior to the filing date of the present application, pp. 1-4.

Nike Apparel Catalog, 2010 Fall ACG, p. 4, published date unknown, but prior to the filing date of the present application, NIKE, Inc., USA.

\* cited by examiner



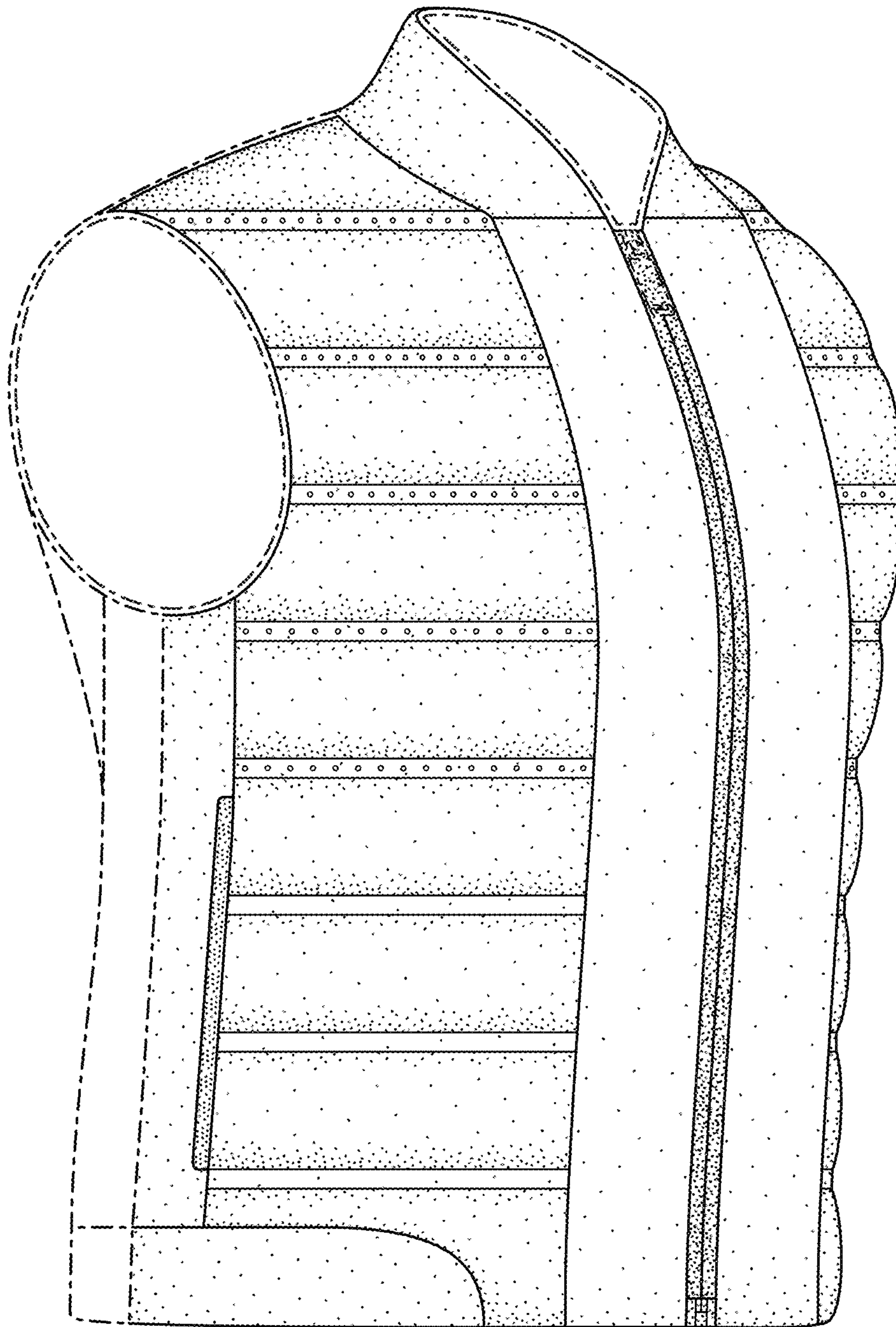


FIG. 1

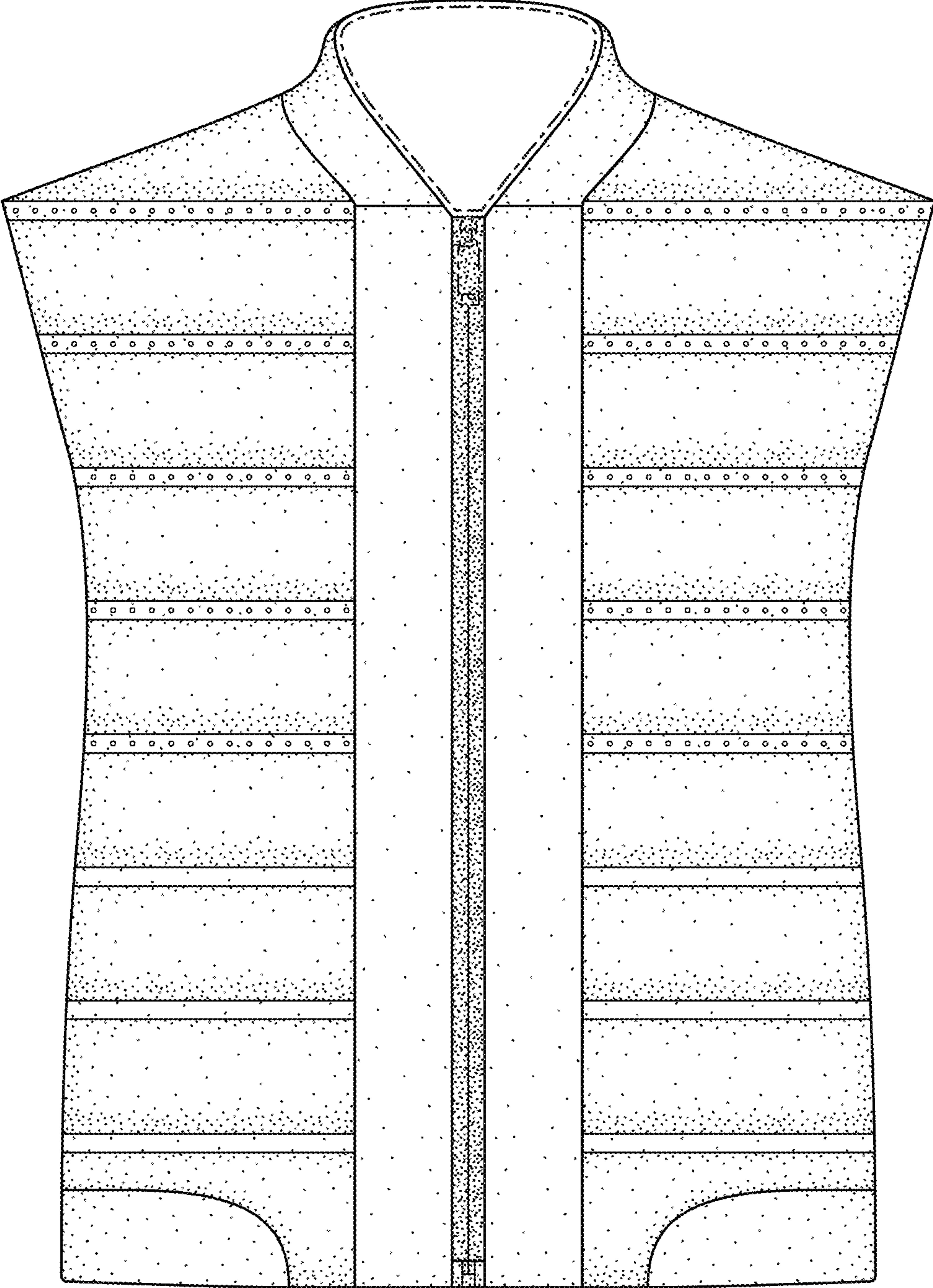


FIG. 2

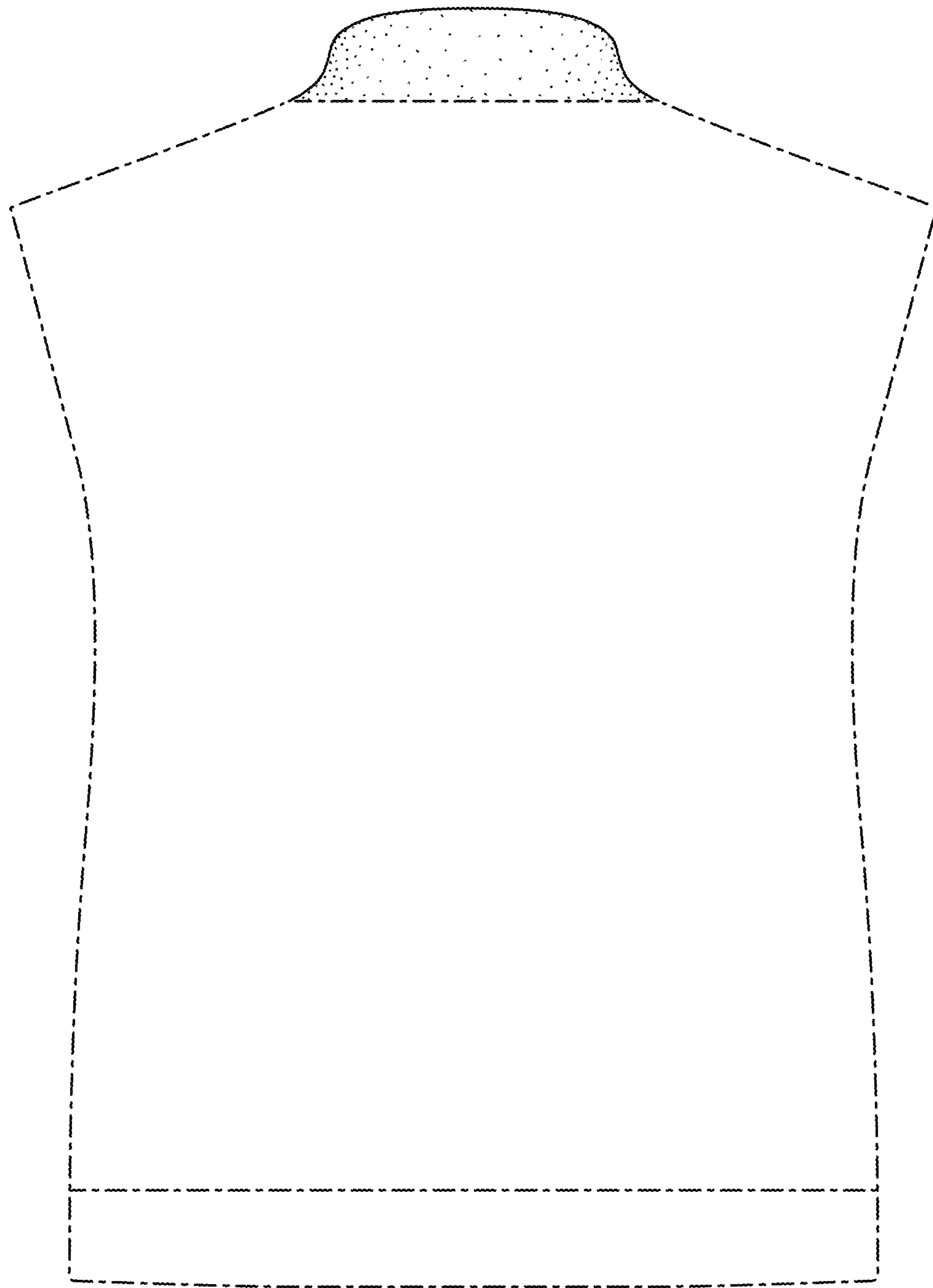


FIG. 3

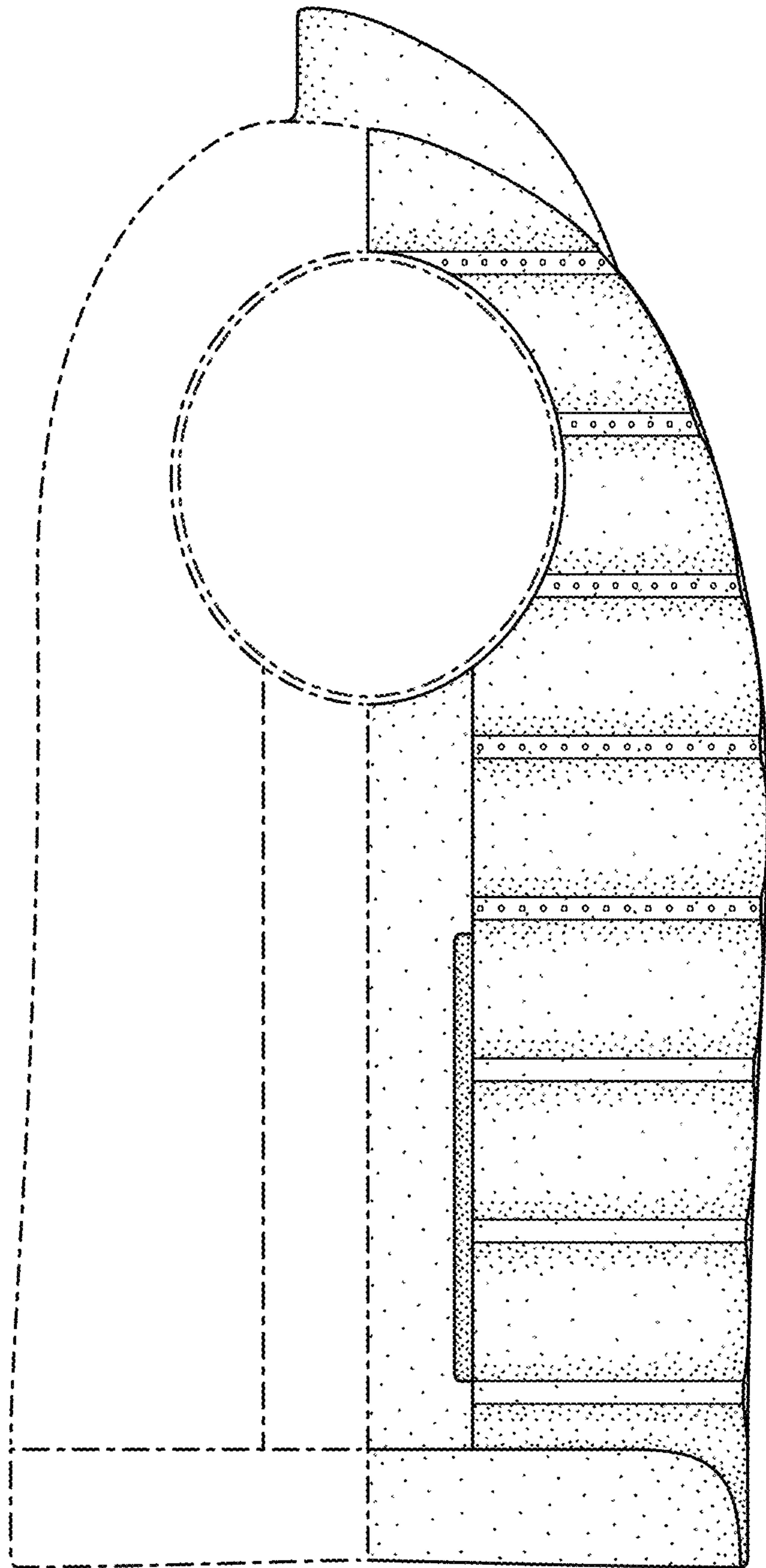


FIG. 4

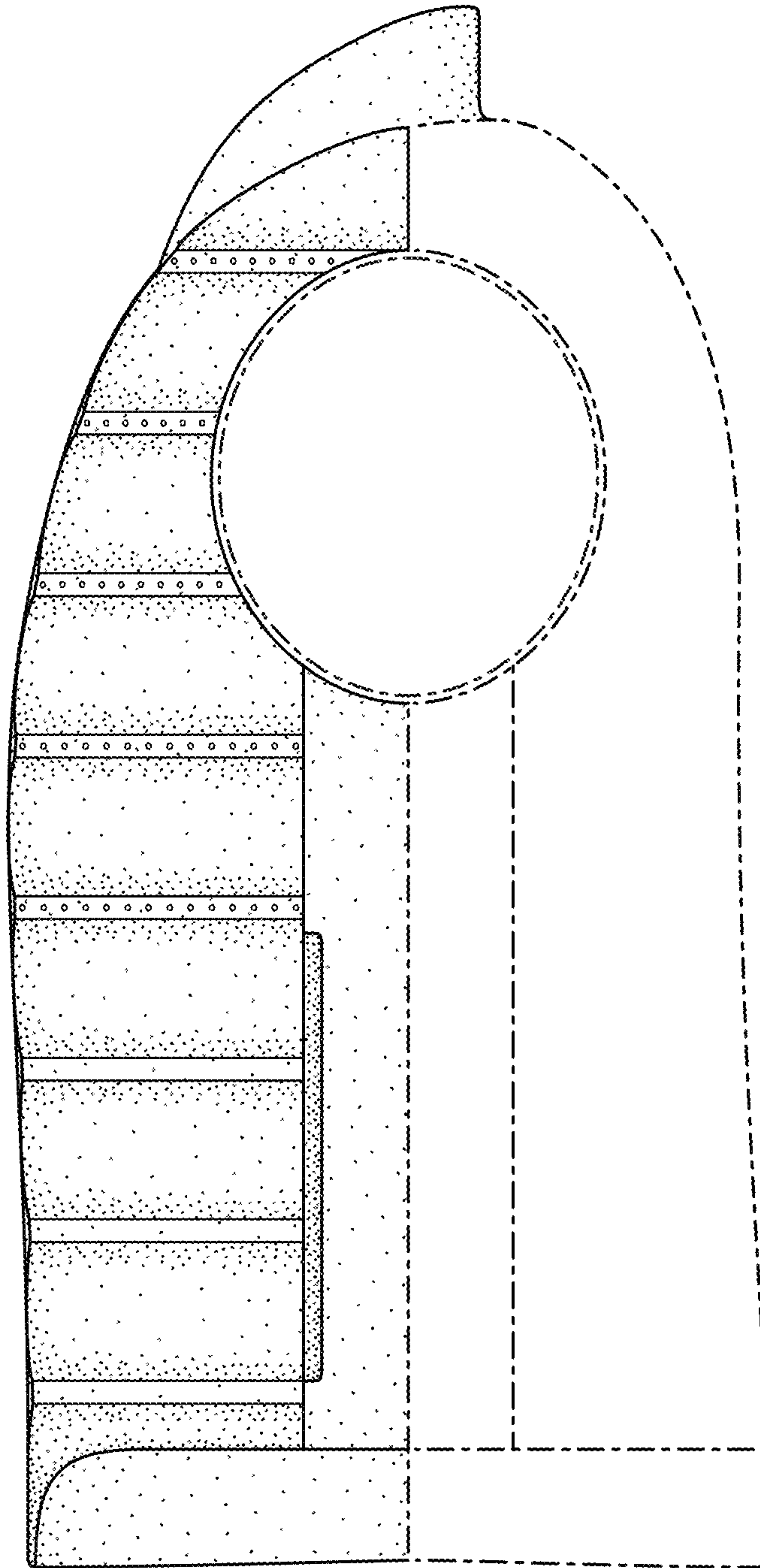


FIG. 5



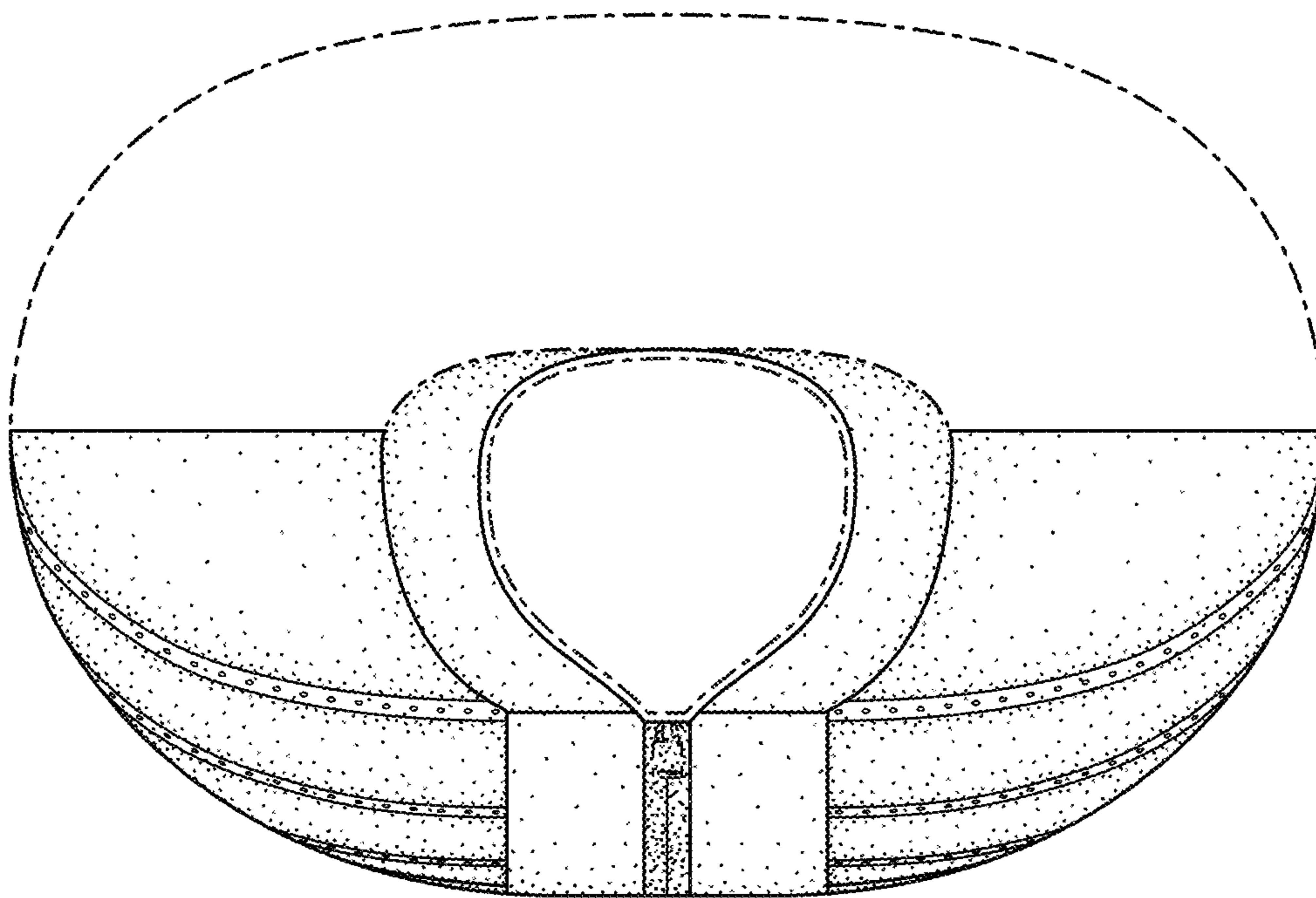


FIG. 6

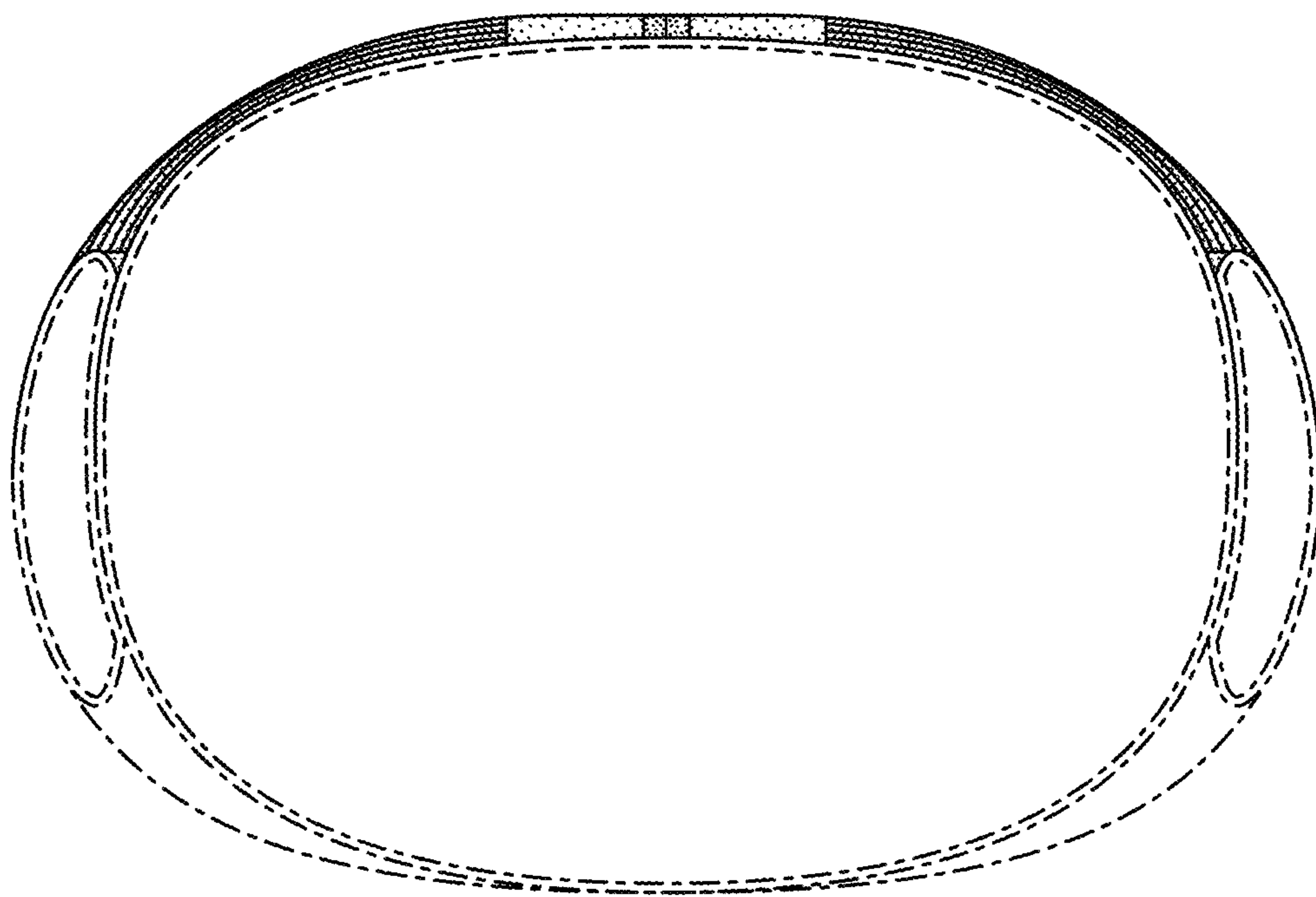


FIG. 7