



US00D770728S

(12) **United States Design Patent**
Jaklinski

(10) **Patent No.:** **US D770,728 S**

(45) **Date of Patent:** **** Nov. 8, 2016**

(54) **BACKWARD PANTS**

(71) Applicant: **Jeffrey Peter Jaklinski**, Wyoming, MI (US)

(72) Inventor: **Jeffrey Peter Jaklinski**, Wyoming, MI (US)

(**) Term: **15 Years**

(21) Appl. No.: **29/540,246**

(22) Filed: **Sep. 22, 2015**

Related U.S. Application Data

(63) Continuation-in-part of application No. 29/442,091, filed on Dec. 6, 2012, now abandoned.

(51) **LOC (10) Cl.** **02-02**

(52) **U.S. Cl.**
USPC **D2/742**

(58) **Field of Classification Search**
USPC D2/742, 857; 2/93, 70, 227, 108, 234
CPC A41D 1/06; A41D 15/002; A41D 15/005;
A41D 27/00
See application file for complete search history.

(56) **References Cited**

U.S. PATENT DOCUMENTS

D261,323 S	*	10/1981	Catron	D2/742
D483,924 S	*	12/2003	Morisset	D2/742
D527,169 S	*	8/2006	Kubler	D2/742
D565,280 S	*	4/2008	Nikolayev	D2/742
D613,038 S	*	4/2010	Viola	D2/742
D613,039 S	*	4/2010	Viola	D2/742
D614,378 S	*	4/2010	Viola	D2/742

(Continued)

FOREIGN PATENT DOCUMENTS

CN	3179599	*	3/2001
EM	000807417-0003	*	12/2007
KR	300258379.0000	*	6/2000

OTHER PUBLICATIONS

Complex: 50 Men's Fashion Trends That Never Should Have Happened, Announced Jul. 26, 2011, [Site Visited May 20, 2016] <http://www.complex.com/style/2011/07/50-mens-fashion-trends-that-never-should-have-happened/>.*

(Continued)

Primary Examiner — John Windmuller

Assistant Examiner — Luqman McNeil

(74) *Attorney, Agent, or Firm* — Hanrahan Law Firm, P.A.; Benjamin M. Hanrahan

(57) **CLAIM**

The ornamental design for backward pants, as shown and described.

DESCRIPTION

FIG. 1 is a front view illustrating my design for backward pants.

FIG. 2 is a rear view thereof, with two slits disposed in an open position, thereby at least partially exposing an interior portion of the backward pants.

FIG. 3 is another rear view thereof, with the two slits disposed in a closed position.

FIG. 4 is a left side view thereof, with at least one slit disposed in an open position.

FIG. 5 is another left side view thereof, with the at least one slit disposed in a closed position.

FIG. 6 is a right side view thereof, with at least one slit disposed in an open position.

FIG. 7 is another right side view thereof, with the at least one slit disposed in a closed position.

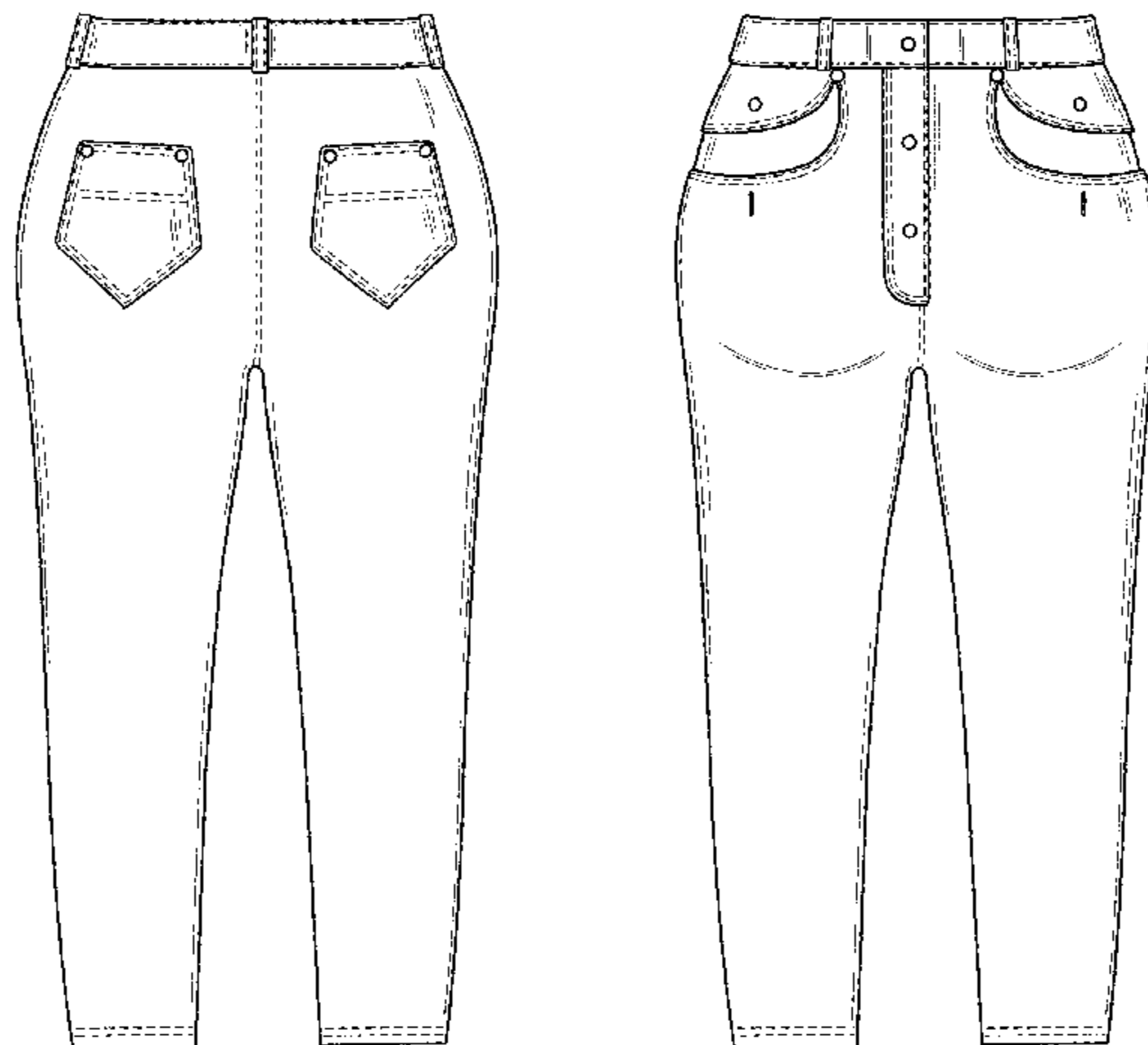
FIG. 8 is a front perspective view thereof.

FIG. 9 is a rear perspective view thereof, with the two slits disposed in an open position; and,

FIG. 10 is another rear perspective view thereof, with the two slits disposed in a closed position.

The broken lines are included for the purpose of illustrating portions of the backward pants that form no part of the claimed design.

1 Claim, 10 Drawing Sheets



(56)

References Cited

U.S. PATENT DOCUMENTS

D647,689 S * 11/2011 Girbaud D2/742
D649,746 S * 12/2011 Girbaud D2/742
D656,712 S * 4/2012 Jones D2/742
D663,923 S * 7/2012 Karik D2/742
D665,559 S * 8/2012 Ridge D2/742
D668,024 S * 10/2012 Gonzales D2/742
D668,433 S * 10/2012 Boyle D2/742
D669,250 S * 10/2012 Girbaud D2/857
D686,390 S * 7/2013 Downs D2/742
D686,800 S * 7/2013 Kelly D2/742
D690,079 S * 9/2013 Grosbol D2/738
D696,487 S * 12/2013 Kurmanow D2/742
2010/0299804 A1* 12/2010 Huang A41D 1/06
2/93

2013/0125287 A1* 5/2013 Boyle A41D 15/002
2/70
2013/0219589 A1* 8/2013 Jones A41D 15/005
2/227
2013/0254969 A1* 10/2013 Getzen A41D 27/00
2/108
2014/0150166 A1* 6/2014 Hall A41D 1/06
2/227
2014/0165265 A1* 6/2014 Tulin A41D 1/06
2/234

OTHER PUBLICATIONS

Denim Guide Fall 2013, Announced Aug. 14, 2013, [Site Visited
May 20, 2016]<http://www.elle.com/fashion/trend-reports/news/g8061/fall-2013-denim/?slide=1>.*

* cited by examiner

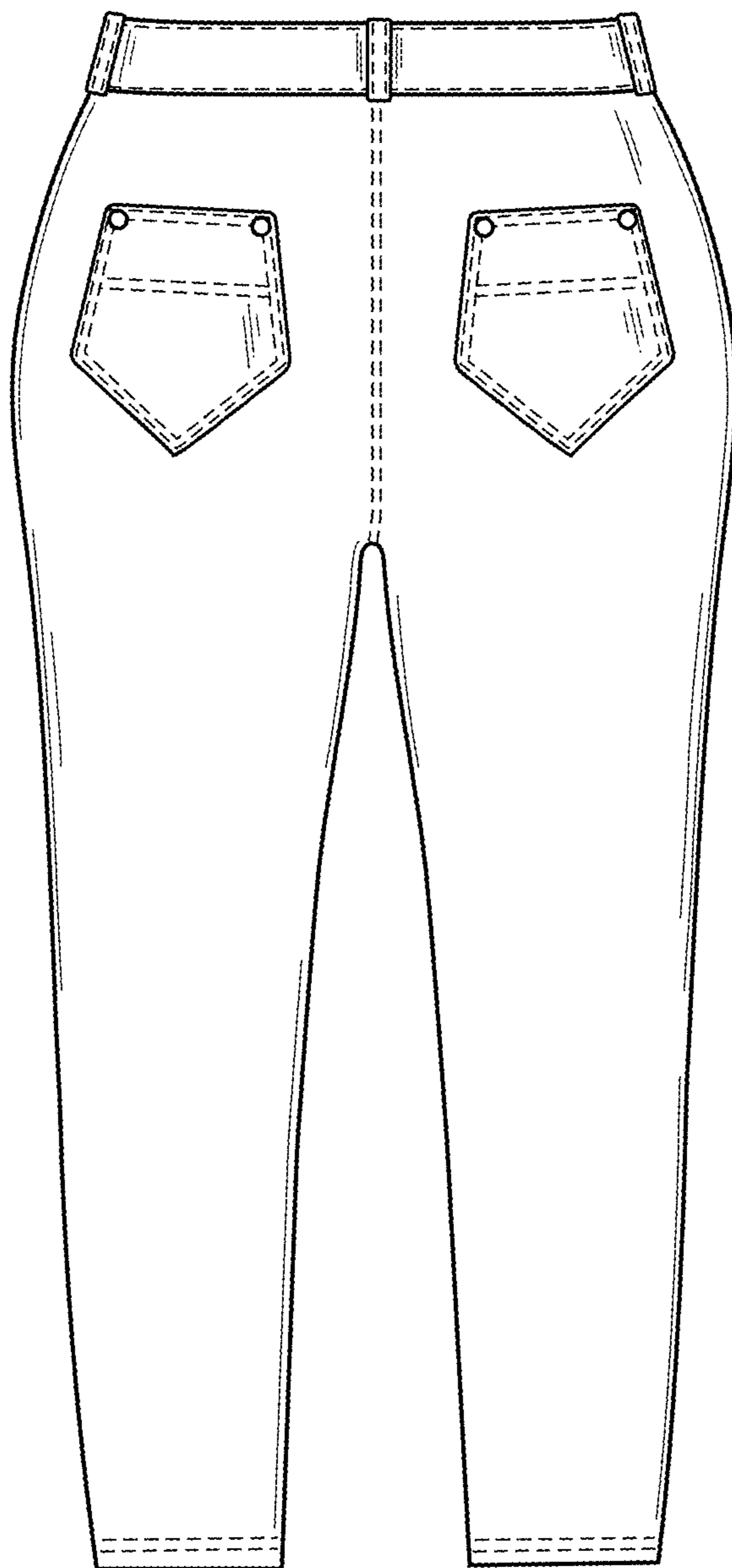


FIG. 1

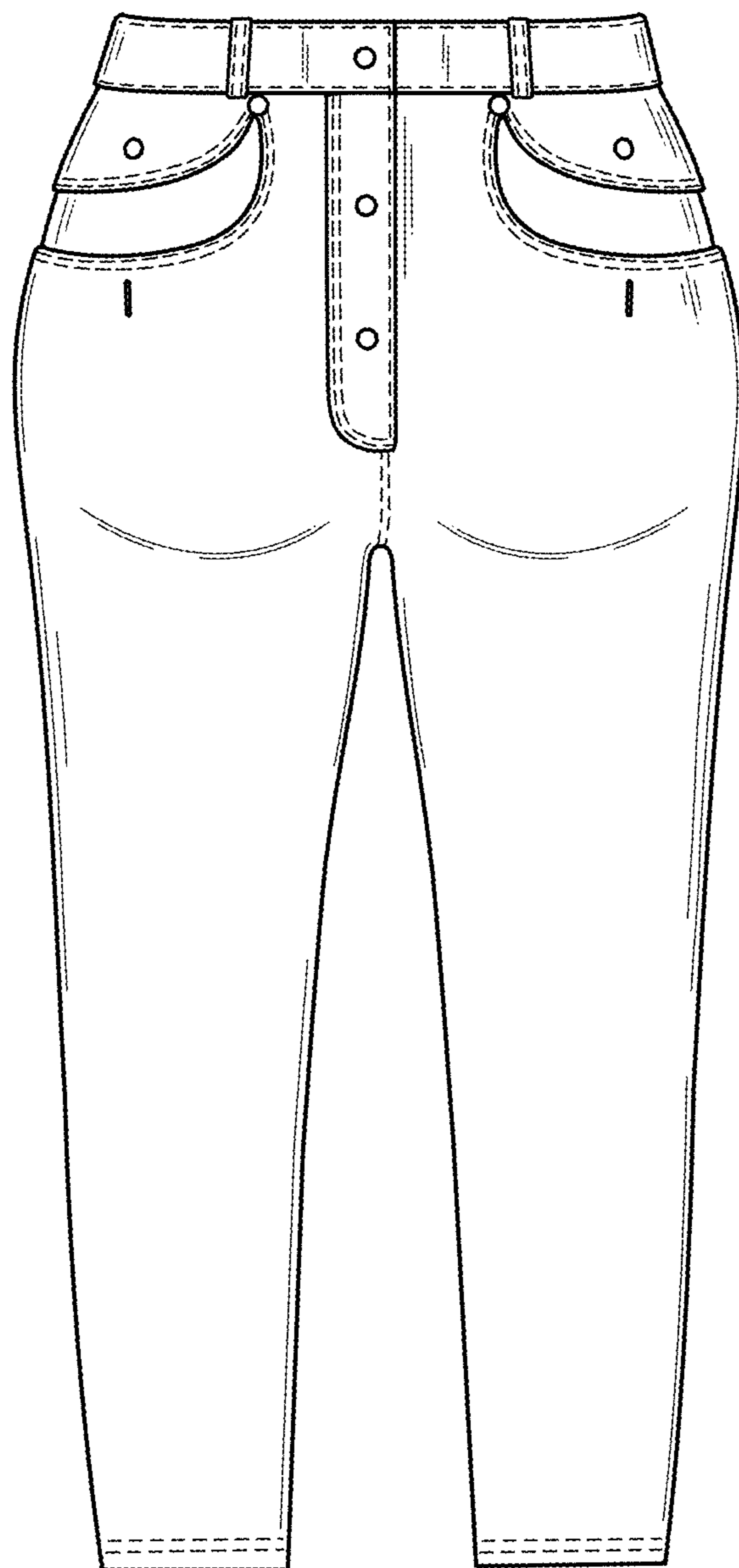


FIG. 2

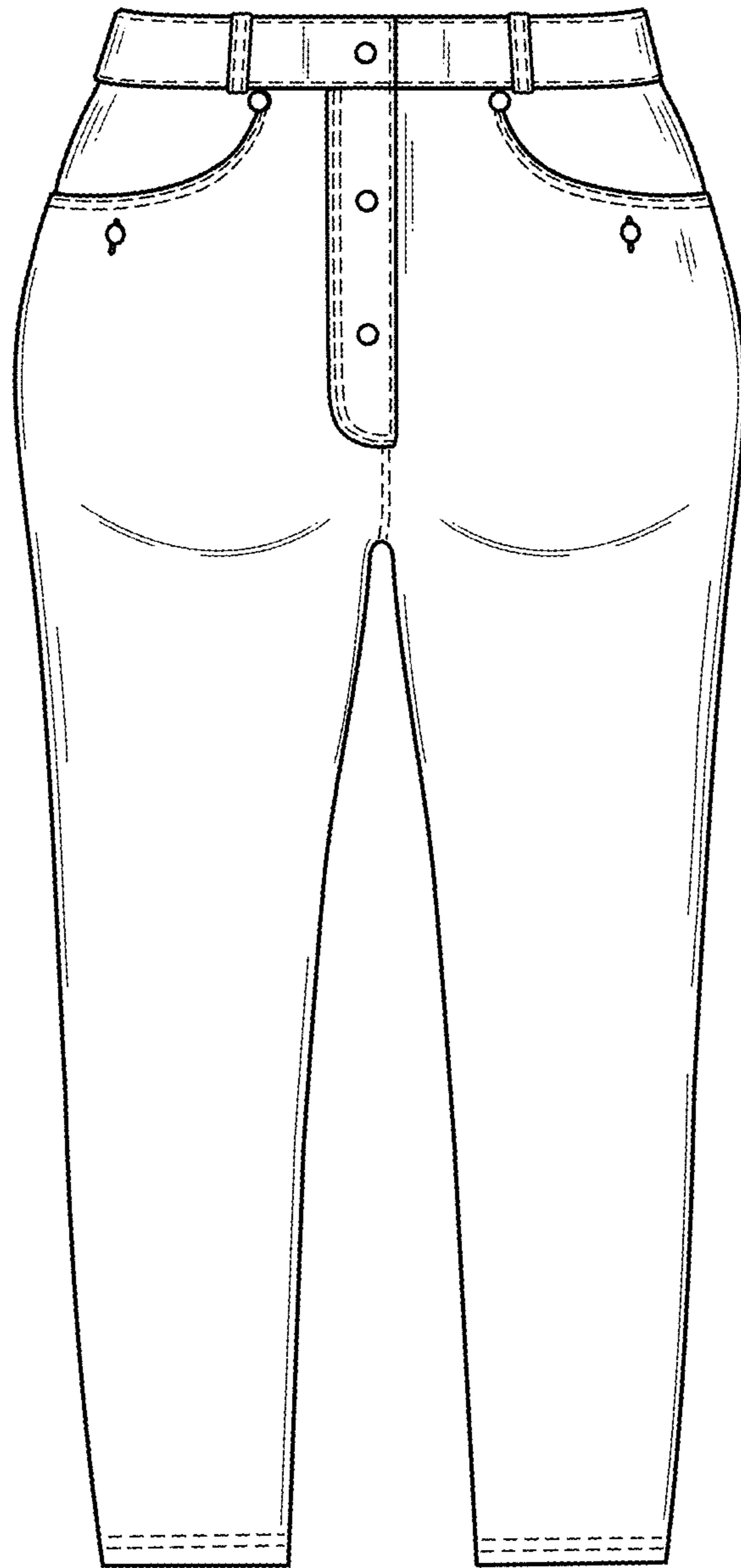


FIG. 3

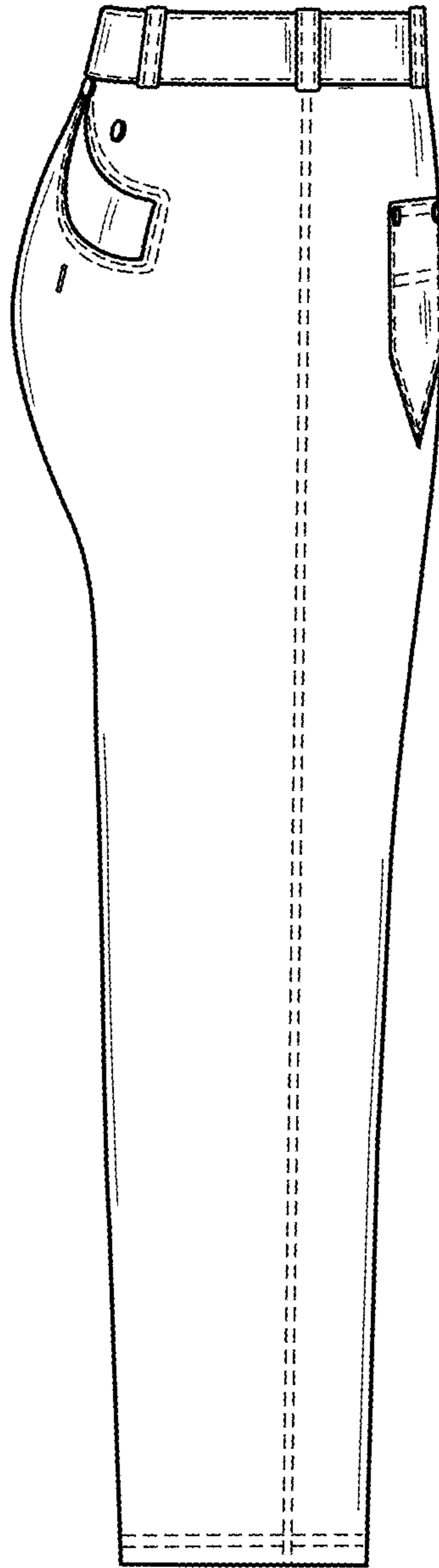


FIG. 4

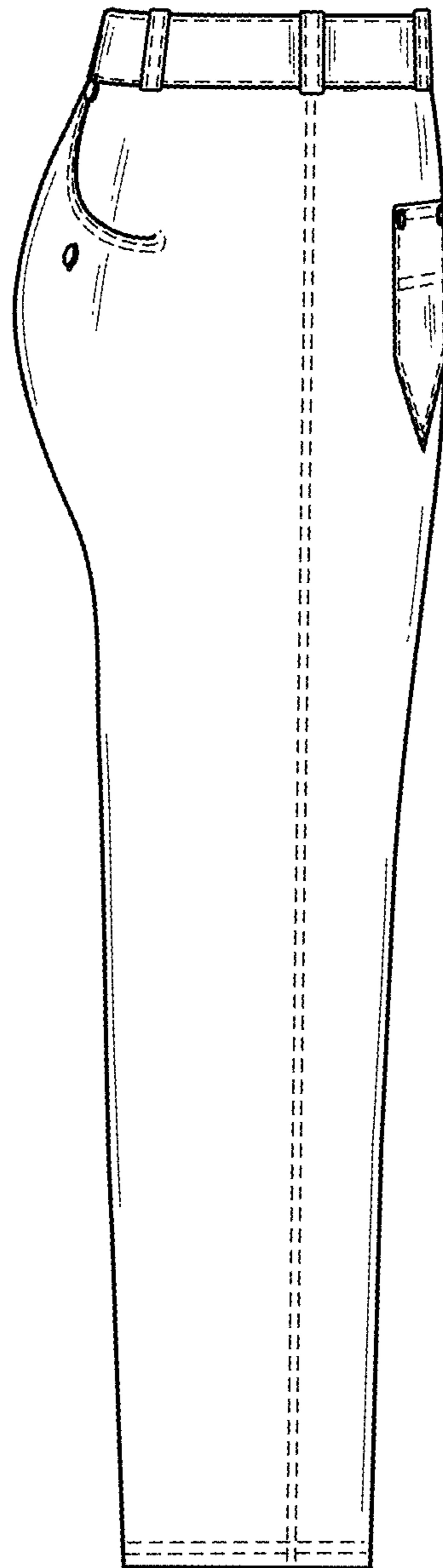


FIG. 5

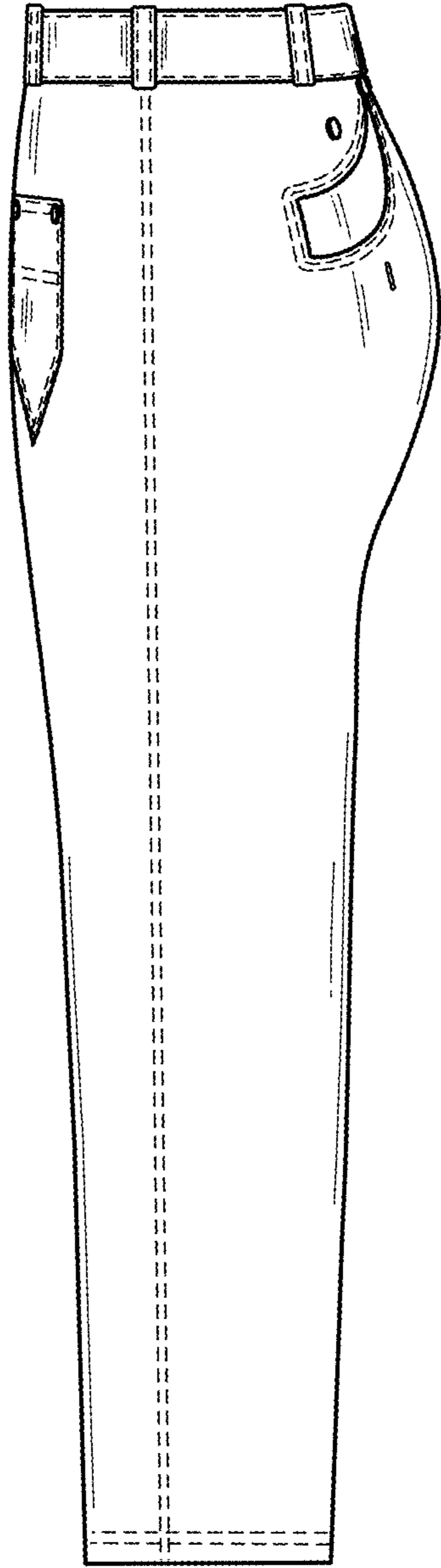


FIG. 6

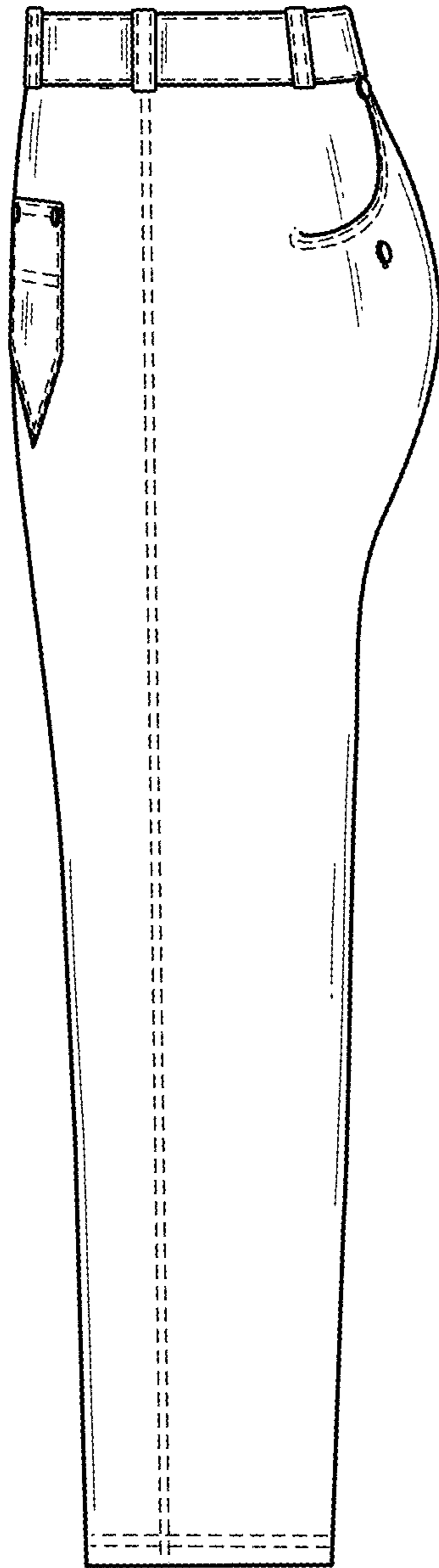


FIG. 7

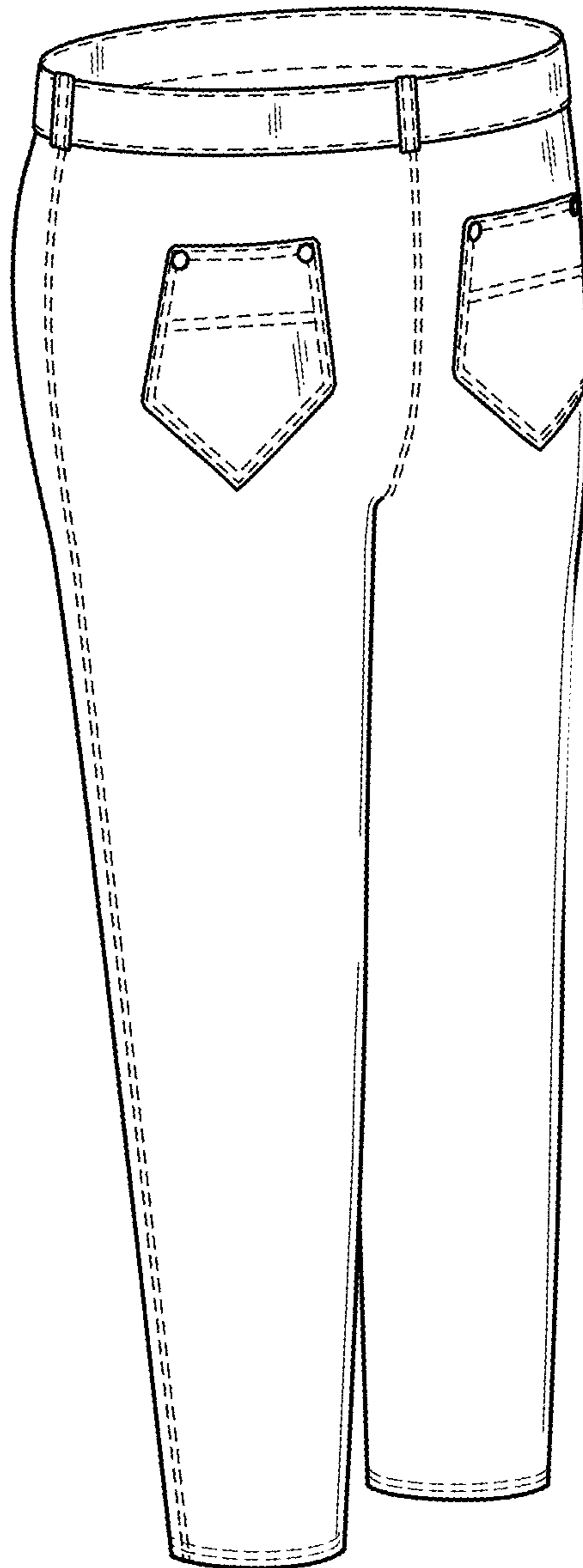


FIG. 8

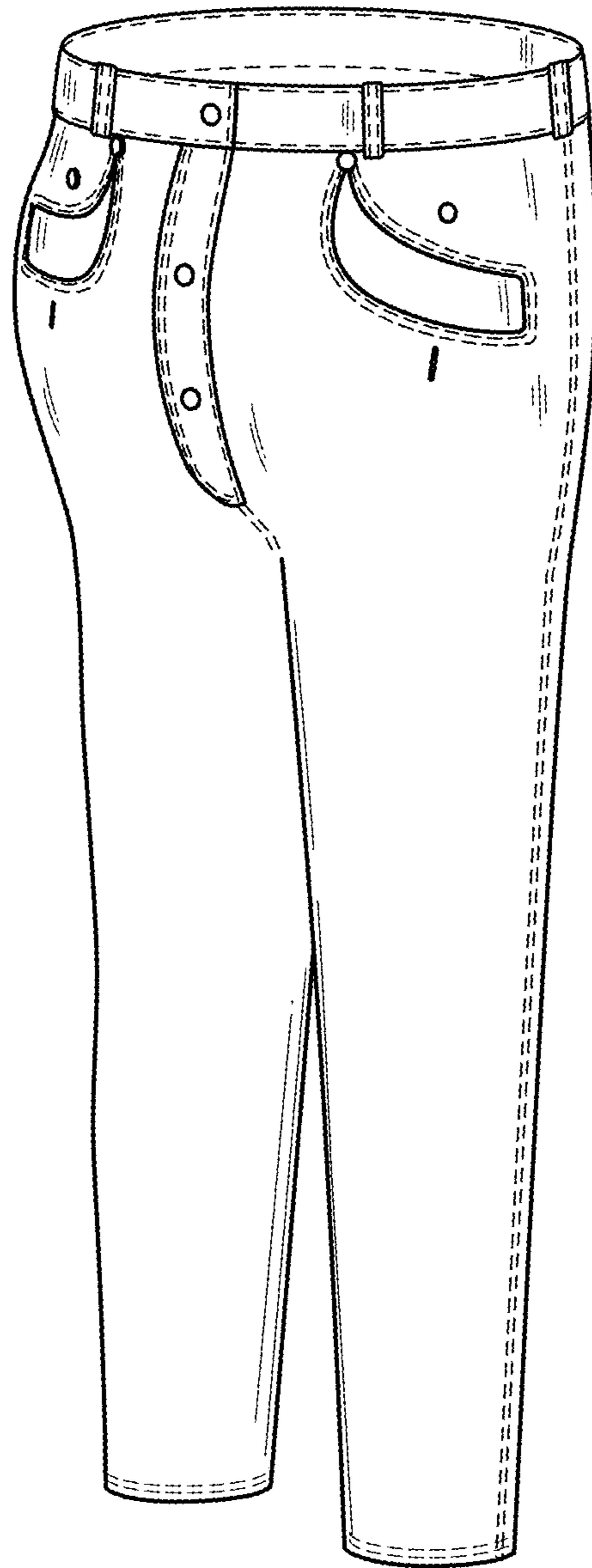


FIG. 9

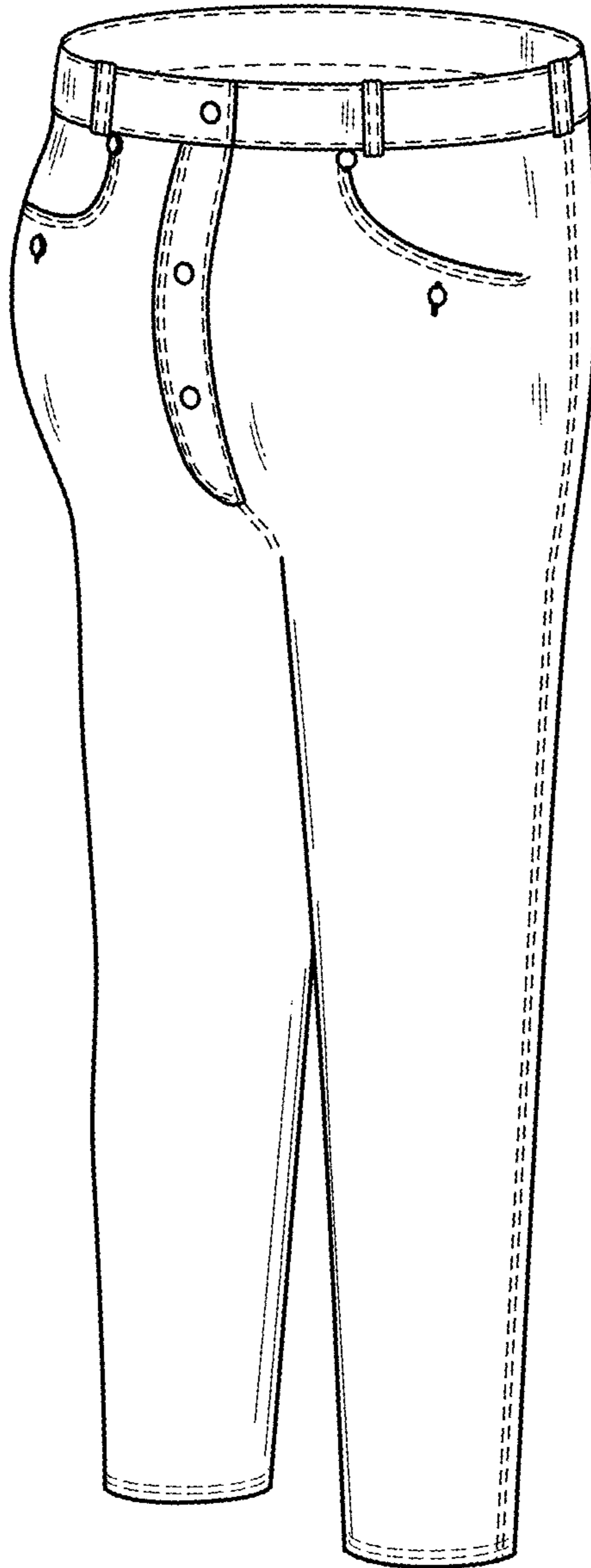


FIG. 10