



US00D770725S

(12) **United States Design Patent** (10) **Patent No.:** **US D770,725 S**  
**Warner** (45) **Date of Patent:** **\*\* Nov. 8, 2016**

(54) **BELT ATTACHMENT**  
(71) Applicant: **Josh Warner**, Los Angeles, CA (US)  
(72) Inventor: **Josh Warner**, Los Angeles, CA (US)  
(\*\*) Term: **15 Years**  
(21) Appl. No.: **29/526,929**  
(22) Filed: **May 14, 2015**

4,306,434 A \* 12/1981 Drake ..... A45F 5/02  
224/269  
D415,343 S \* 10/1999 Maddox ..... D3/207  
6,065,563 A \* 5/2000 Stowers ..... A45F 5/02  
181/131  
D523,237 S \* 6/2006 Kiriakides ..... D3/211  
D641,153 S \* 7/2011 van den Hurk ..... D3/215  
D709,283 S \* 7/2014 Adelman ..... D3/210  
D710,594 S \* 8/2014 Vasquez ..... D3/207  
9,255,724 B2 \* 2/2016 Martinez Sanz ..... F24J 2/05  
2006/0237498 A1 \* 10/2006 Piatt ..... A45F 5/02  
224/269

(51) **LOC (10) Cl.** ..... **03-01**  
(52) **U.S. Cl.**  
USPC ..... **D2/639; D3/207**  
(58) **Field of Classification Search**  
USPC ..... D2/624-629, 634-640; D11/214,  
D11/216-219, 231, 232, 238; D24/190;  
D29/101.3; D3/207, 215, 228  
CPC ..... A41F 11/00; A41F 11/02; A41F 11/06;  
A41F 11/08; A41F 11/12; A41F 11/14;  
A41F 11/16; A41F 17/00; A41F 3/02;  
A41F 9/00; A41F 9/002; A41F 9/007;  
A44B 11/20; A44B 17/00; B60R 2022/006;  
B60R 22/00; A61B 5/6893; A61B 5/028;  
A45F 5/021  
See application file for complete search history.

**OTHER PUBLICATIONS**

Good Art Hlywd, Belt Loop Buddy from Facebook.com. Jun. 23, 2015. <<http://www.facebook.com/>> Jun. 23, 2016.\*

\* cited by examiner

*Primary Examiner* — Celia Murphy  
*Assistant Examiner* — Clare Ann Gannon  
(74) *Attorney, Agent, or Firm* — Keene IP Law, LLC

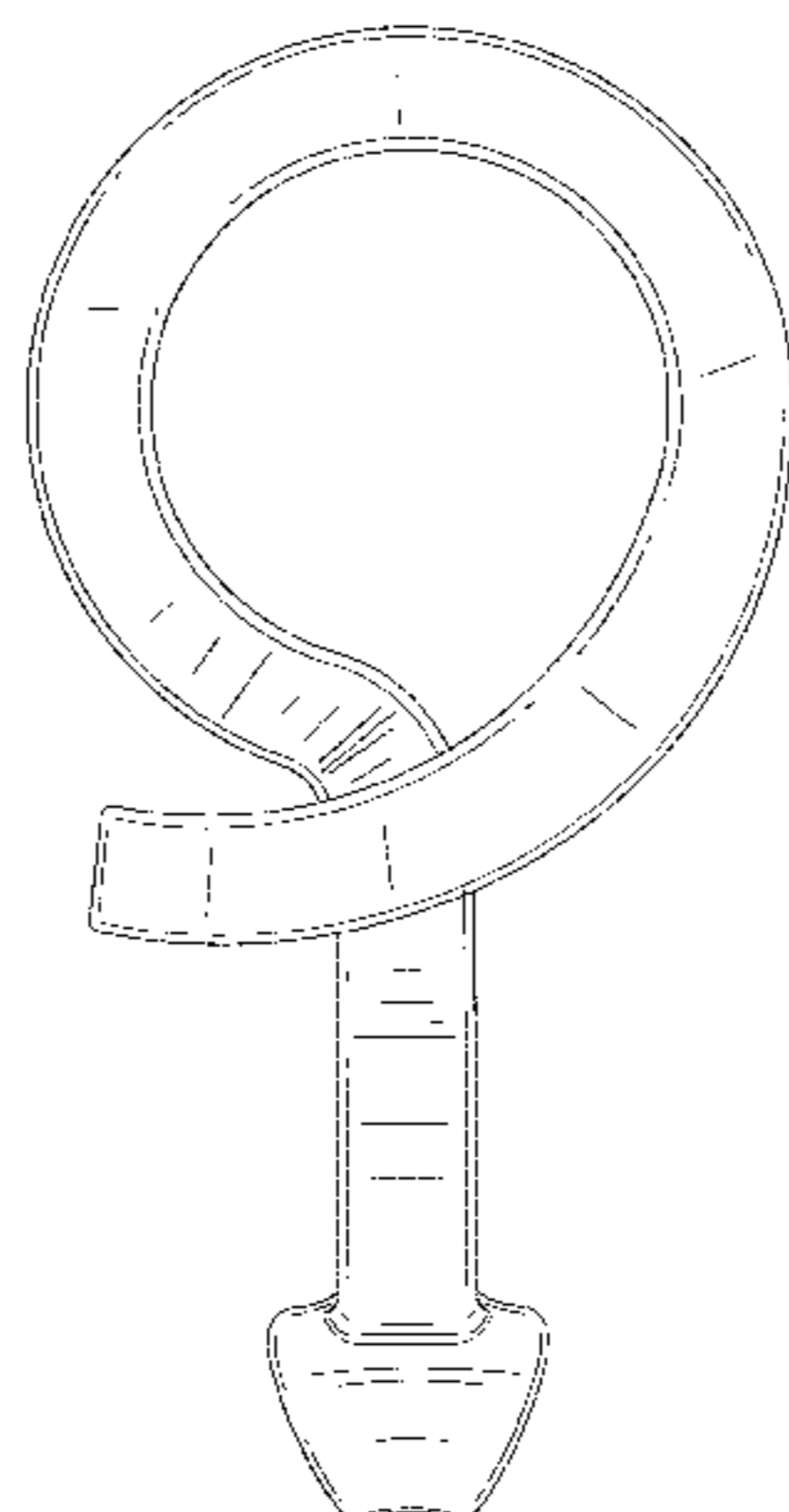
(57) **CLAIM**  
The ornamental design for a belt attachment, as shown and described.

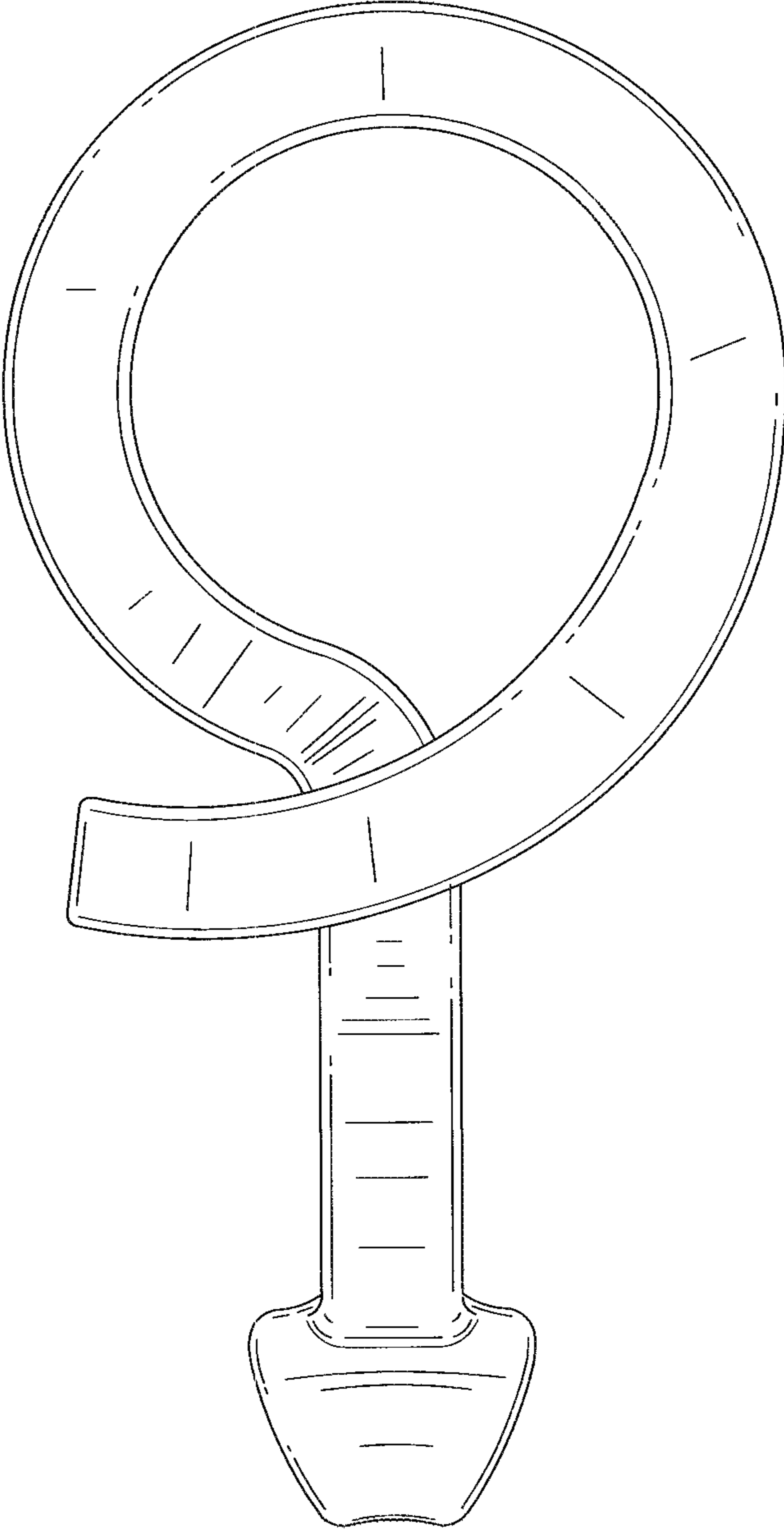
**DESCRIPTION**

A portion of the disclosure of this patent document contains material which is subject to copyright protection. This patent document may show and/or describe matter which is or may become trade dress of the owner. The copyright and trade dress owner has no objection to the facsimile reproduction by anyone of the patent disclosure as it appears in the Patent and Trademark Office patent files or records, but otherwise reserves all copyright and trade dress rights whatsoever. FIG. 1 is a top plan view of a belt attachment showing my new design; FIG. 2 is a bottom plan view thereof; FIG. 3 is a right side elevational view thereof; FIG. 4 is a left side elevational view thereof; FIG. 5 is a front elevational view thereof; and, FIG. 6 is a rear elevational view thereof.

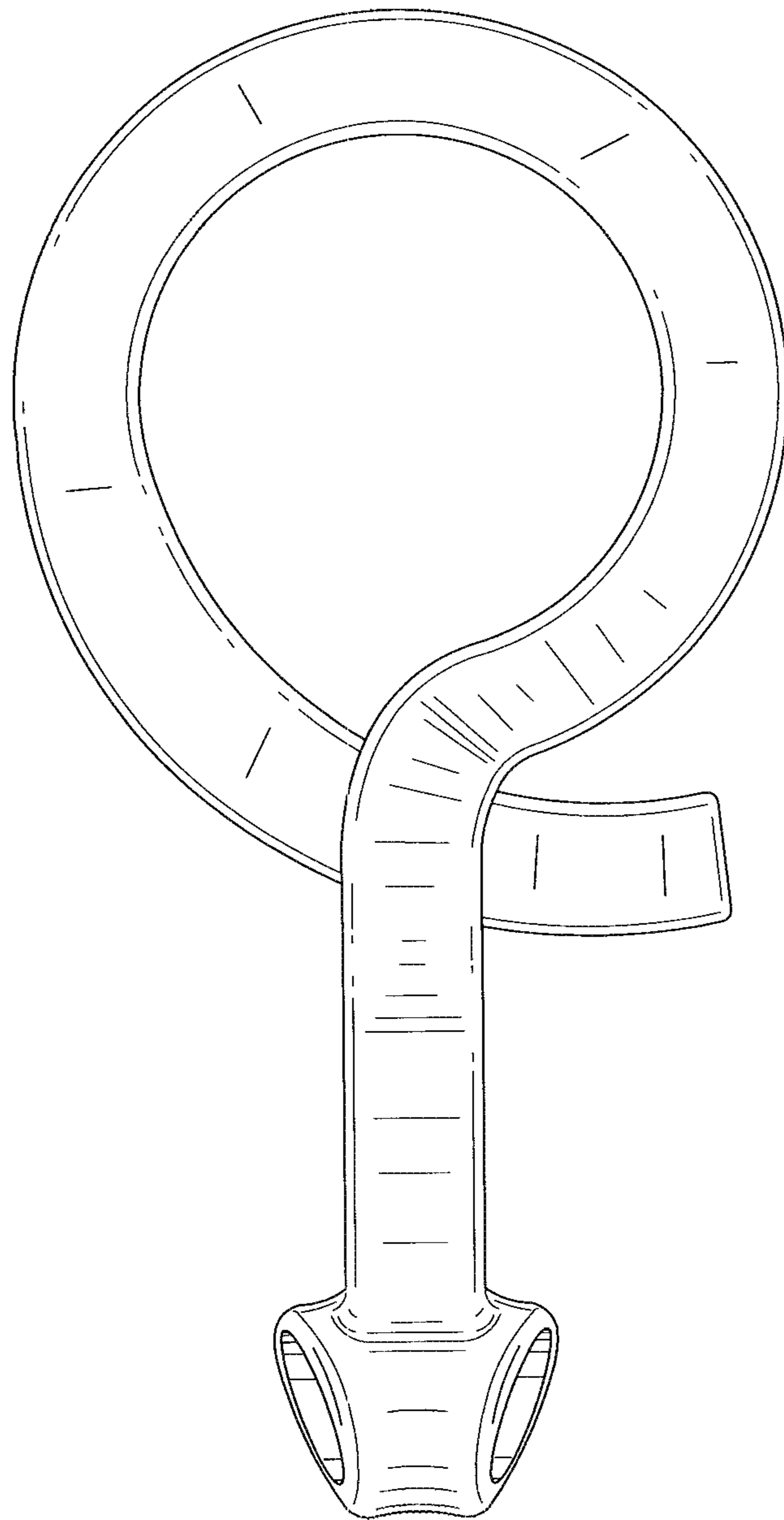
**1 Claim, 6 Drawing Sheets**

(56) **References Cited**  
U.S. PATENT DOCUMENTS  
1,095,247 A \* 5/1914 Toge ..... A45F 5/02  
24/3.12  
D46,019 S \* 6/1914 Cantrell ..... D3/207  
1,206,074 A \* 11/1916 Zwiener ..... A44B 15/002  
224/666  
1,341,811 A \* 6/1920 Lutz ..... A45F 5/02  
24/3.12  
1,432,016 A \* 10/1922 Crawford ..... A45F 5/02  
24/3.12  
1,489,244 A \* 4/1924 Gnegy ..... A45F 5/02  
24/3.12  
1,608,563 A \* 11/1926 Morin ..... A44B 15/00  
70/459  
2,775,804 A \* 1/1957 Ayoub ..... A45F 5/02  
24/3.12  
3,970,228 A \* 7/1976 Keller ..... A45F 5/02  
224/251

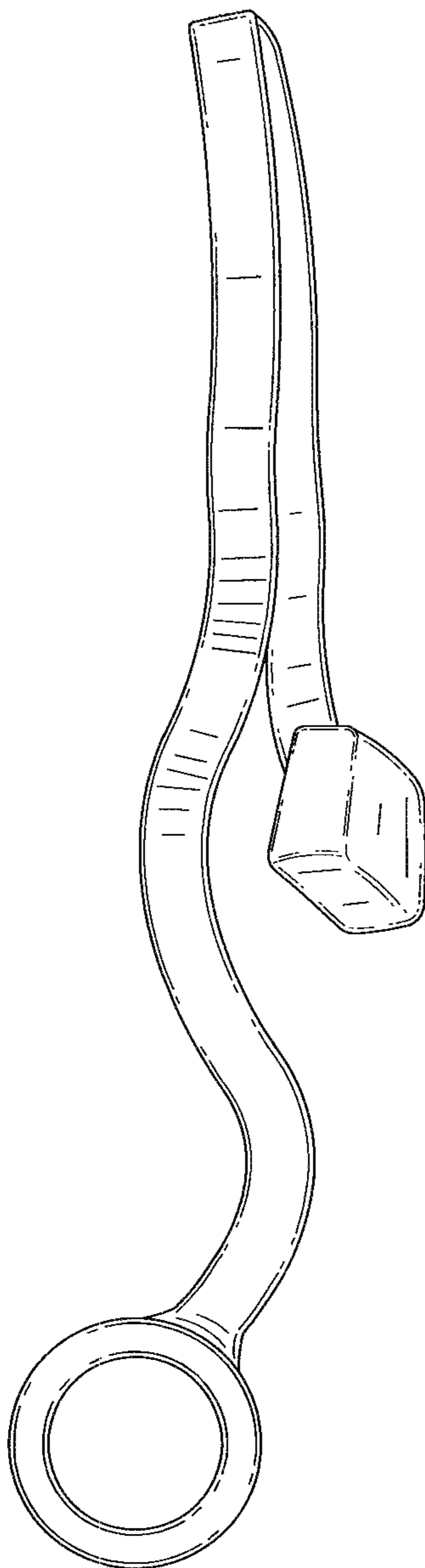




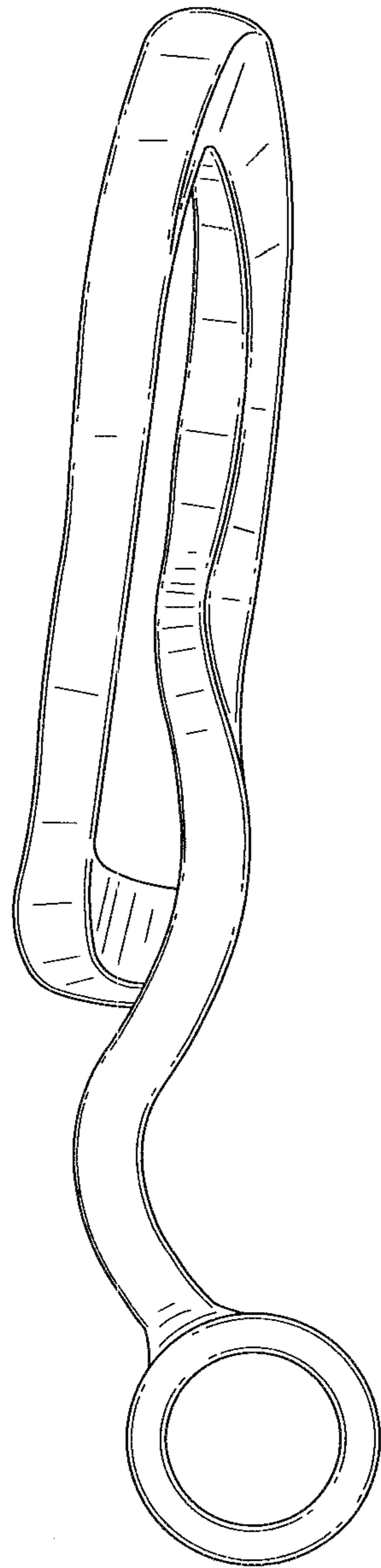
**FIG. 1**



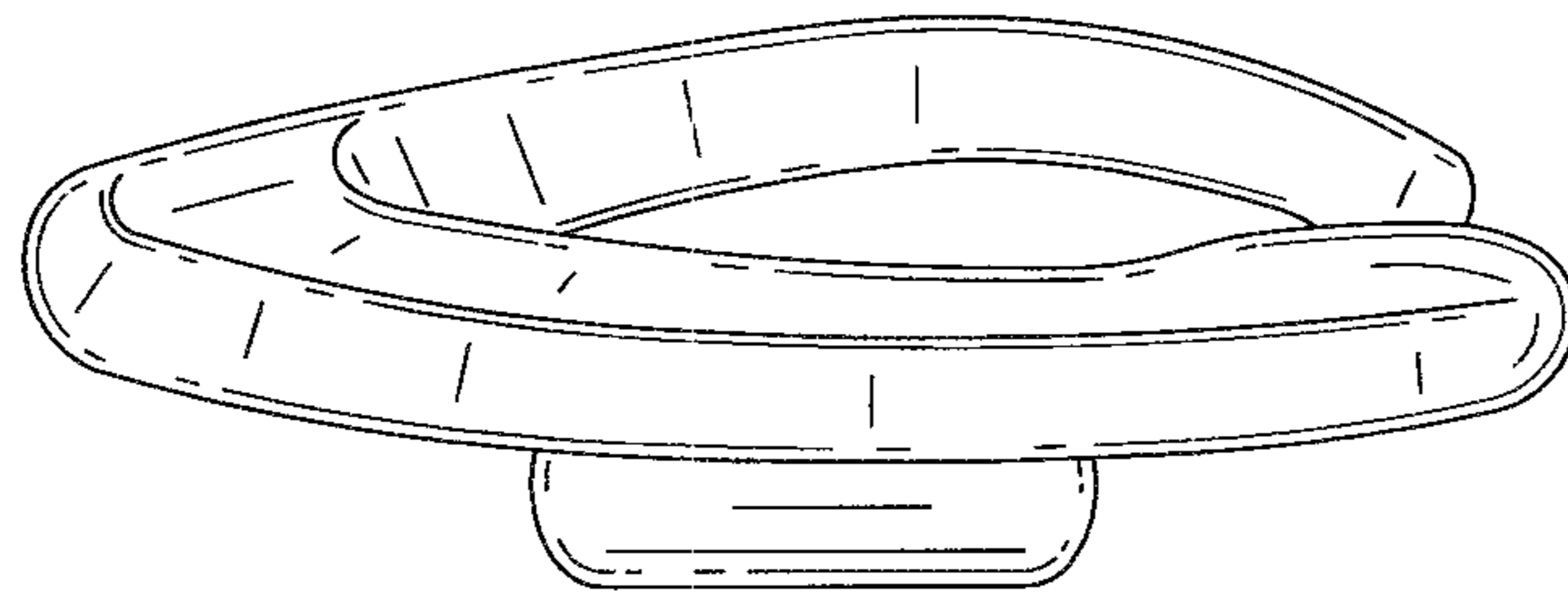
**FIG. 2**



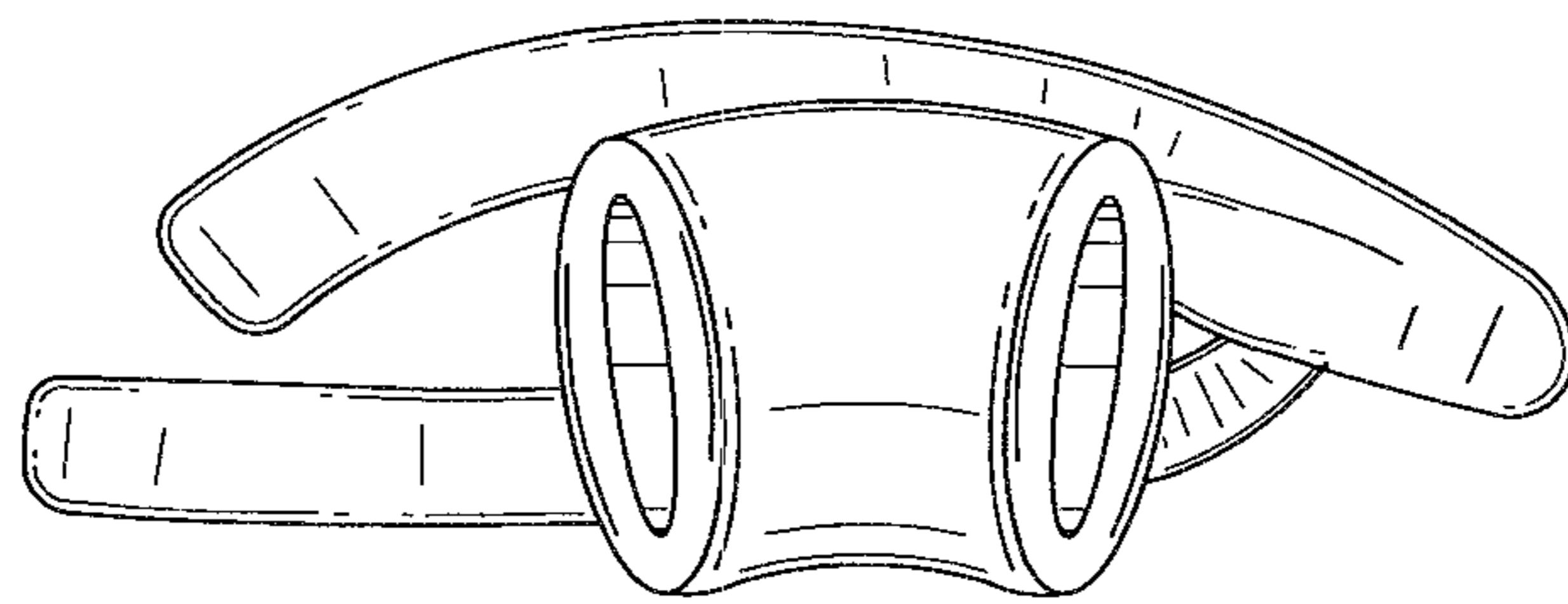
**FIG. 3**



**FIG. 4**



**FIG. 5**



**FIG. 6**