



US00D770722S

(12) **United States Design Patent** (10) **Patent No.:** **US D770,722 S**
Mohberg (45) **Date of Patent:** **** Nov. 1, 2016**

(54) **BANK BOX FOR HOLDING MONEY**
(71) Applicant: **Russell Mohberg**, El Segundo, CA (US)
(72) Inventor: **Russell Mohberg**, El Segundo, CA (US)
(**) Term: **15 Years**

2,532,857 A * 12/1950 Ricciardi B65D 25/54
206/0.815
2,904,899 A 9/1959 Lloyd
3,992,805 A 11/1976 Arkin
D256,511 S * 8/1980 Atkin D99/35
D285,858 S * 9/1986 Ooki D99/28
4,775,321 A 10/1988 Comeaux
D327,793 S * 7/1992 McGrory 232/43.2
(Continued)

(21) Appl. No.: **29/541,110**
(22) Filed: **Sep. 30, 2015**
(51) **LOC (10) Cl.** **99-00**
(52) **U.S. Cl.**
USPC **D99/35**
(58) **Field of Classification Search**
USPC D99/28, 34, 35, 36, 37, 43, 99
CPC A45C 1/12; A45C 2001/125; A45C
2001/102; A45C 2001/104; A45C 2001/006;
A45C 2001/003; A45C 2001/105; A45C
2001/107; E05G 1/00; E05G 1/005; E05G
1/024; E05G 1/026; E05G 5/00; E05G 7/00;
E05G 7/001; E05G 2700/00; E05G 2700/02;
B63C 7/30; G07D 9/00; G07D 9/002;
G07D 9/004; G07D 9/006; G07D 9/008;
G07D 9/02; G07D 9/04; G07D 9/06; G07D
9/065; G07D 11/00; G07D 11/0021; G07D
13/00; G07D 2201/00; G07D 2211/00;
G07F 9/06; G07F 9/08
See application file for complete search history.

FOREIGN PATENT DOCUMENTS

CA 2357079 A 3/2002

OTHER PUBLICATIONS

Moonjar, "Moonjar Money Box", Sep. 16, 2015.
(Continued)

Primary Examiner — Elizabeth J Oswecki
(74) *Attorney, Agent, or Firm* — Risso & Associates

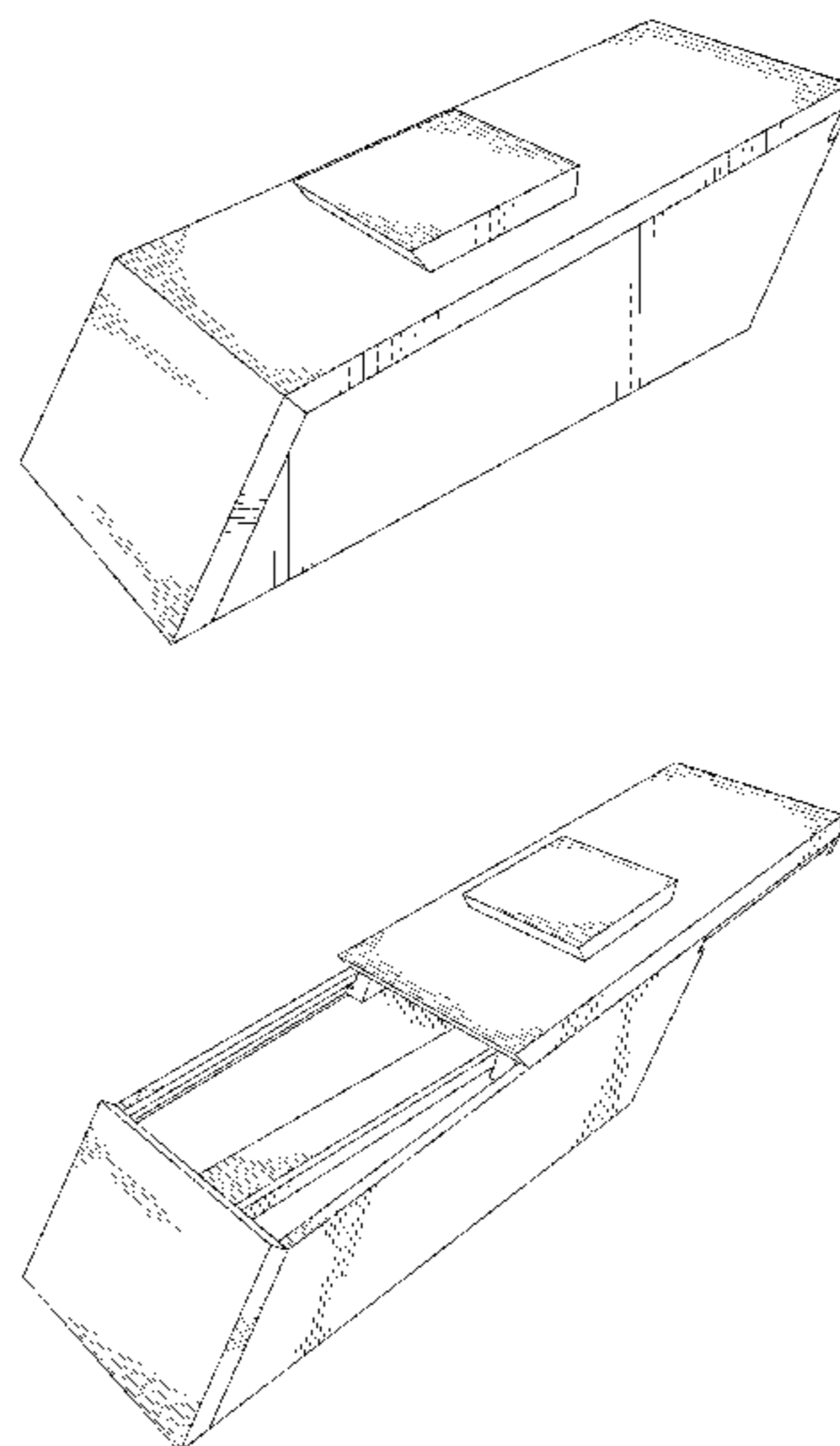
(57) **CLAIM**
The ornamental design for a bank box for holding money, as shown and described.

DESCRIPTION

FIG. 1 is a front, perspective view of a bank box for holding money showing my new design;
FIG. 2 is a left side view thereof;
FIG. 3 is a right side view thereof;
FIG. 4 is a front view thereof;
FIG. 5 is a rear view thereof;
FIG. 6 is a top plan view thereof;
FIG. 7 is a bottom plan view thereof;
FIG. 8 is another front, perspective view thereof, with the lid of the bank box being partially removed for ease of illustration; and,
FIG. 9 is another front, perspective view thereof, with the lid of the bank box fully removed for ease of illustration.

(56) **References Cited**
U.S. PATENT DOCUMENTS
928,483 A * 7/1909 Wakeman E05B 47/0002
109/45
1,781,920 A * 11/1930 Fisher A45C 1/12
232/4 R
1,909,214 A * 5/1933 Nagle A45C 1/12
206/0.815

1 Claim, 8 Drawing Sheets



(56)

References Cited

U.S. PATENT DOCUMENTS

D328,399 S * 8/1992 McGrory 232/4 R
 5,377,514 A * 1/1995 Robbins E05G 1/024
 109/75
 5,482,487 A 1/1996 Harris
 D376,246 S * 12/1996 Sugawara D99/28
 5,716,211 A 2/1998 Vetter
 6,106,300 A 8/2000 Kiyosaki et al.
 D432,755 S * 10/2000 Perkitny D99/34
 D436,427 S * 1/2001 Grendahl D99/35
 D484,669 S * 12/2003 Robinson D99/35
 6,976,619 B2 12/2005 Beacham et al.
 D516,768 S * 3/2006 Walker D99/28
 D516,769 S * 3/2006 Walker D99/28
 D541,045 S * 4/2007 Peart D3/291
 D542,529 S * 5/2007 Peart D3/276
 D558,977 S * 1/2008 Peart D3/294
 D560,875 S * 1/2008 Decarlo D3/273
 D561,994 S * 2/2008 Peart D3/291
 D571,524 S * 6/2008 Kang D99/28
 D574,124 S * 7/2008 Huber D99/28
 D623,825 S * 9/2010 Hacker D99/34

D624,275 S * 9/2010 Min D99/28
 D644,815 S * 9/2011 Helm D99/34
 D668,835 S * 10/2012 Brown D99/34
 D685,155 S * 6/2013 Budde D99/28
 D691,344 S * 10/2013 Hacker D99/35
 D693,085 S * 11/2013 Hacker D99/35
 8,882,509 B1 11/2014 Nunamaker
 2008/0293019 A1 11/2008 Dooley et al.
 2012/0264089 A1 10/2012 Hoang
 2014/0356818 A1 12/2014 Elgin

OTHER PUBLICATIONS

Moonjar, "Moonjar Lesson Plan", Sep. 16, 2015.
 Pioneer Plus, "Girl's 3-Slot Tin Bank for Tithing, Savings Fund, and Fun Money", Sep. 16, 2015.
 Faith Kids, "My Giving Bank", Feb. 1, 2001.
 Money Savvy Generation "Money Savvy Pig" Sep. 24, 2014.
 Money-Smart Kids, "Budget Bank System", Sep. 24, 2014.
 4M, "Paint Your Own Piggy Bank", Sep. 24, 2014.
 Ideas for a Better Tomorrow, "My Better World Savings Bank", Sep. 24, 2014.

* cited by examiner

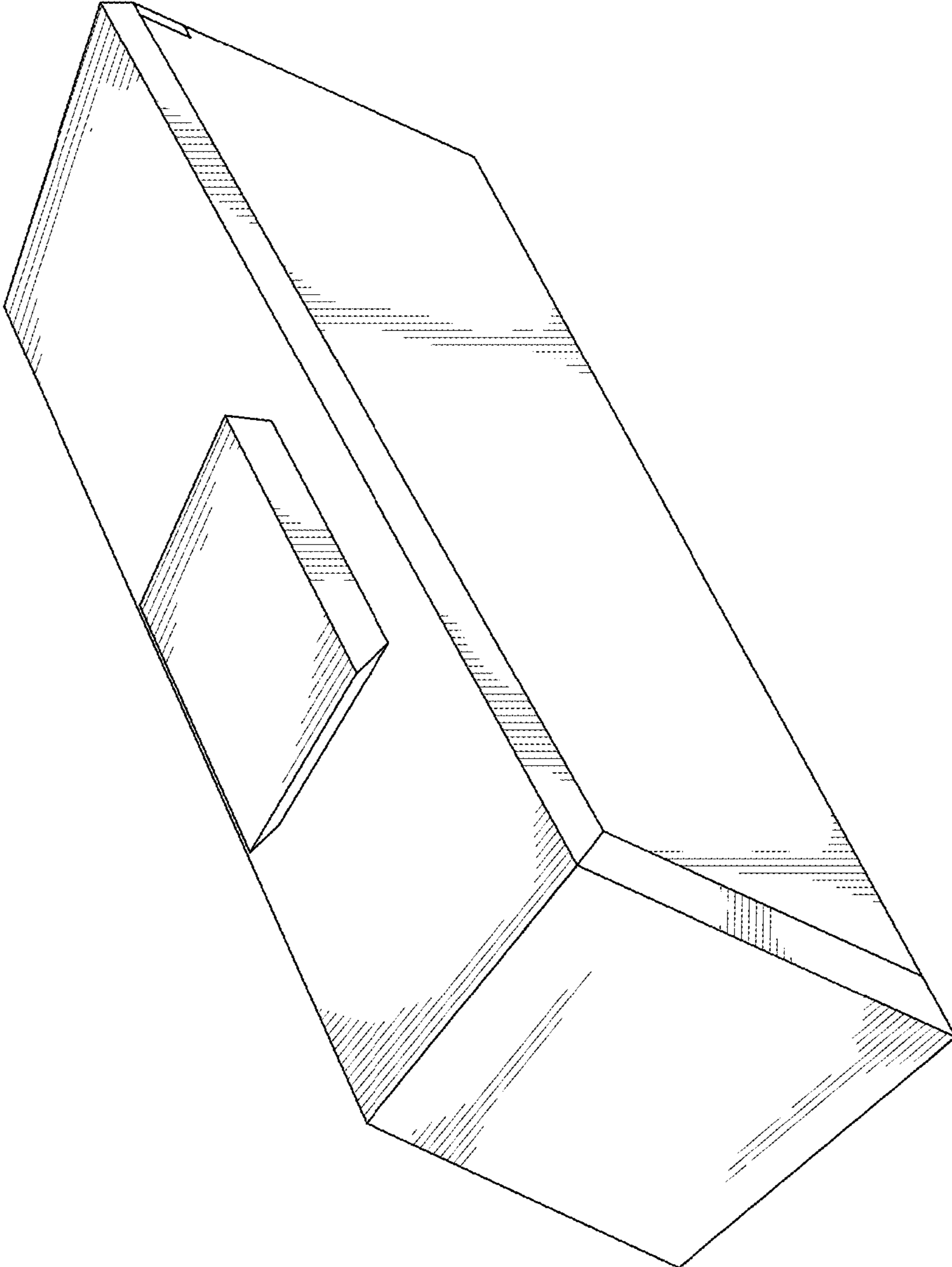


FIG. 1

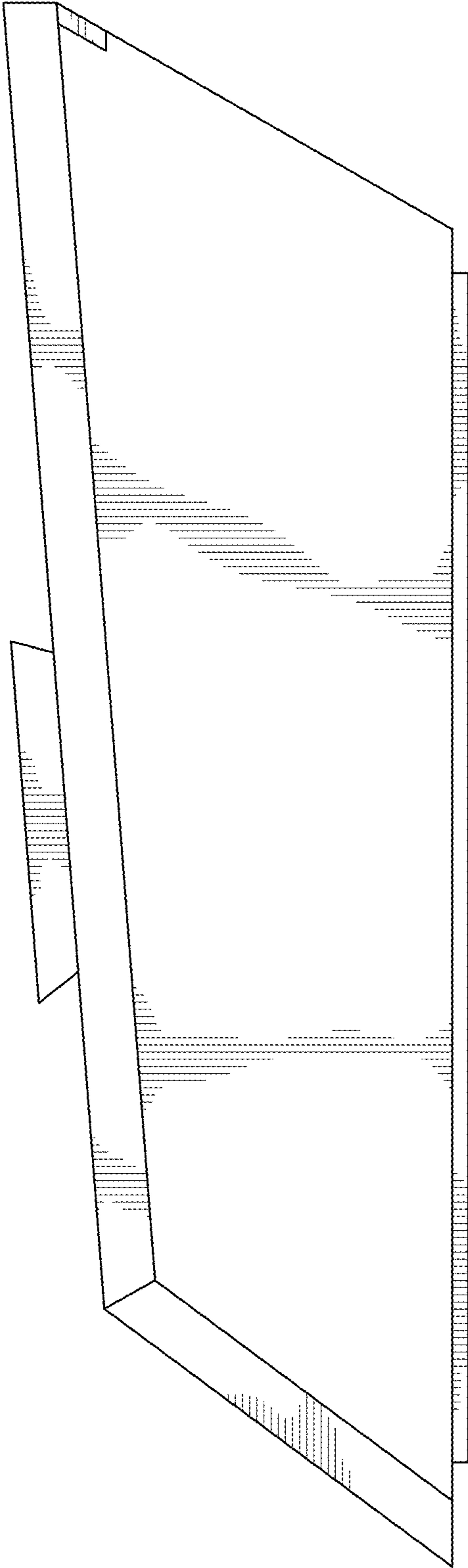


FIG. 2

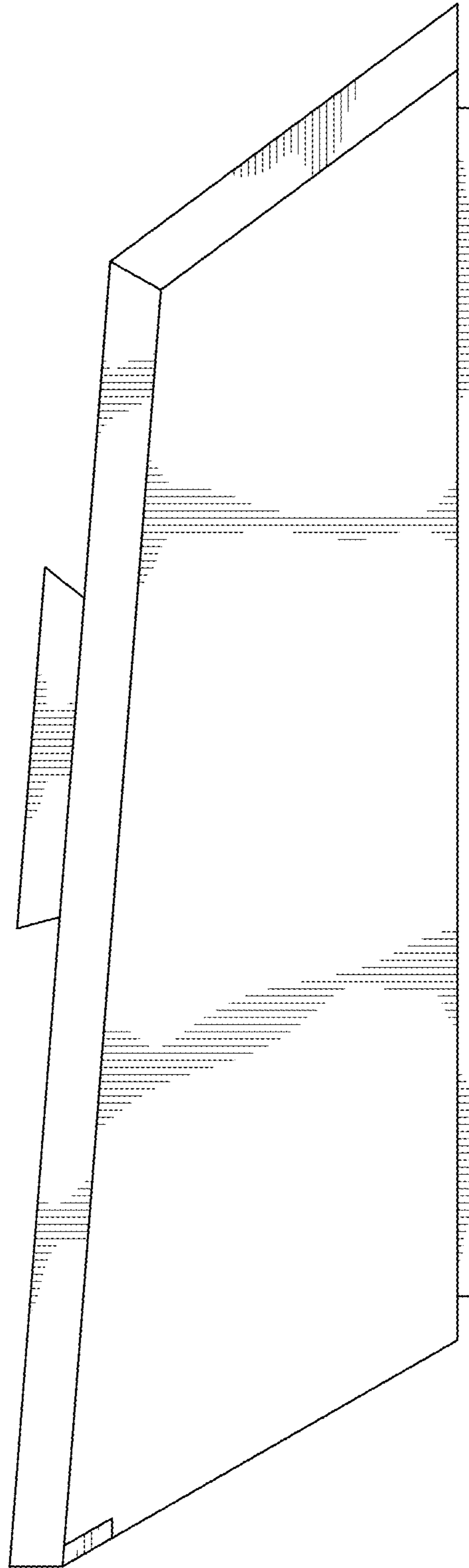


FIG. 3

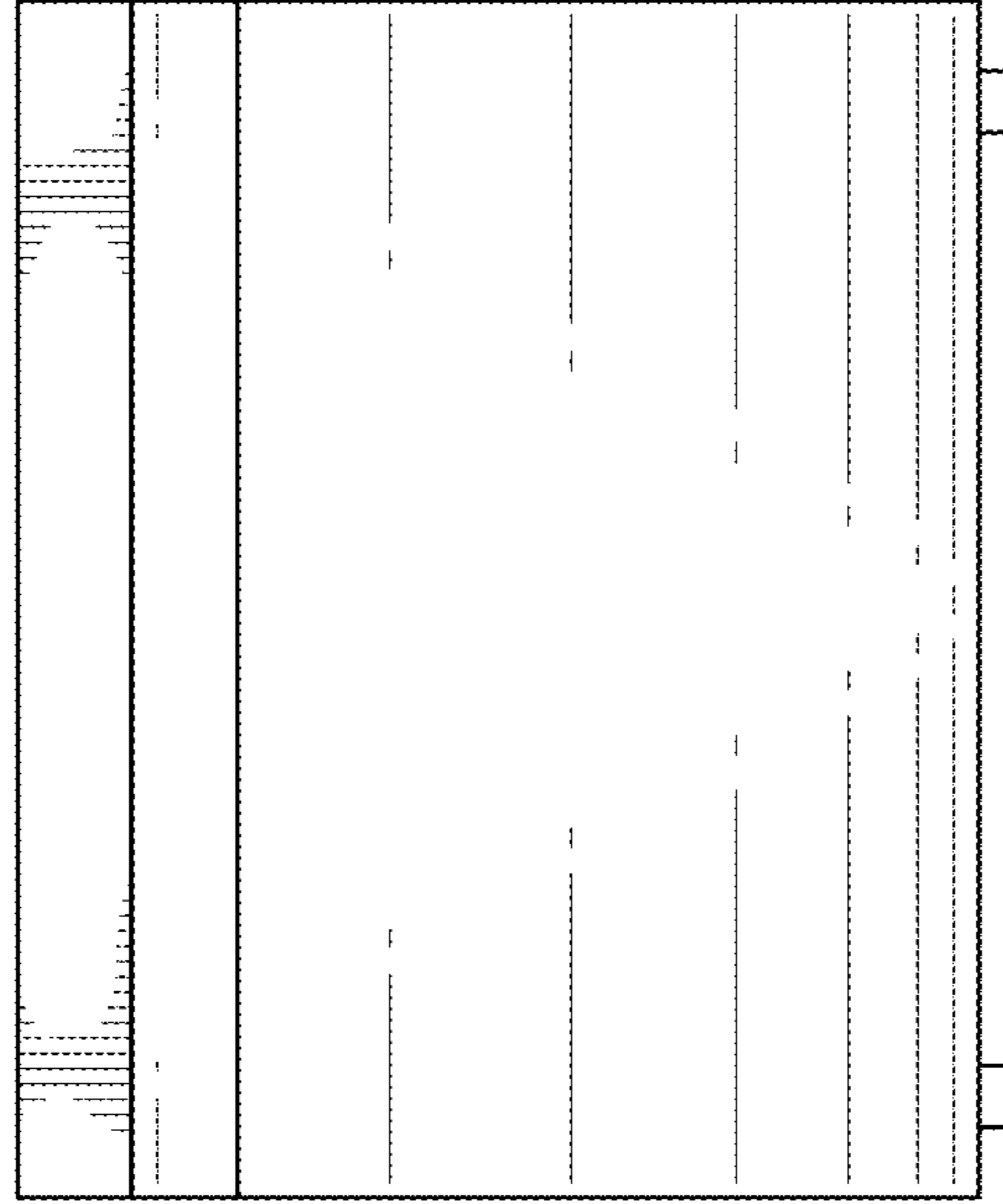


FIG. 5

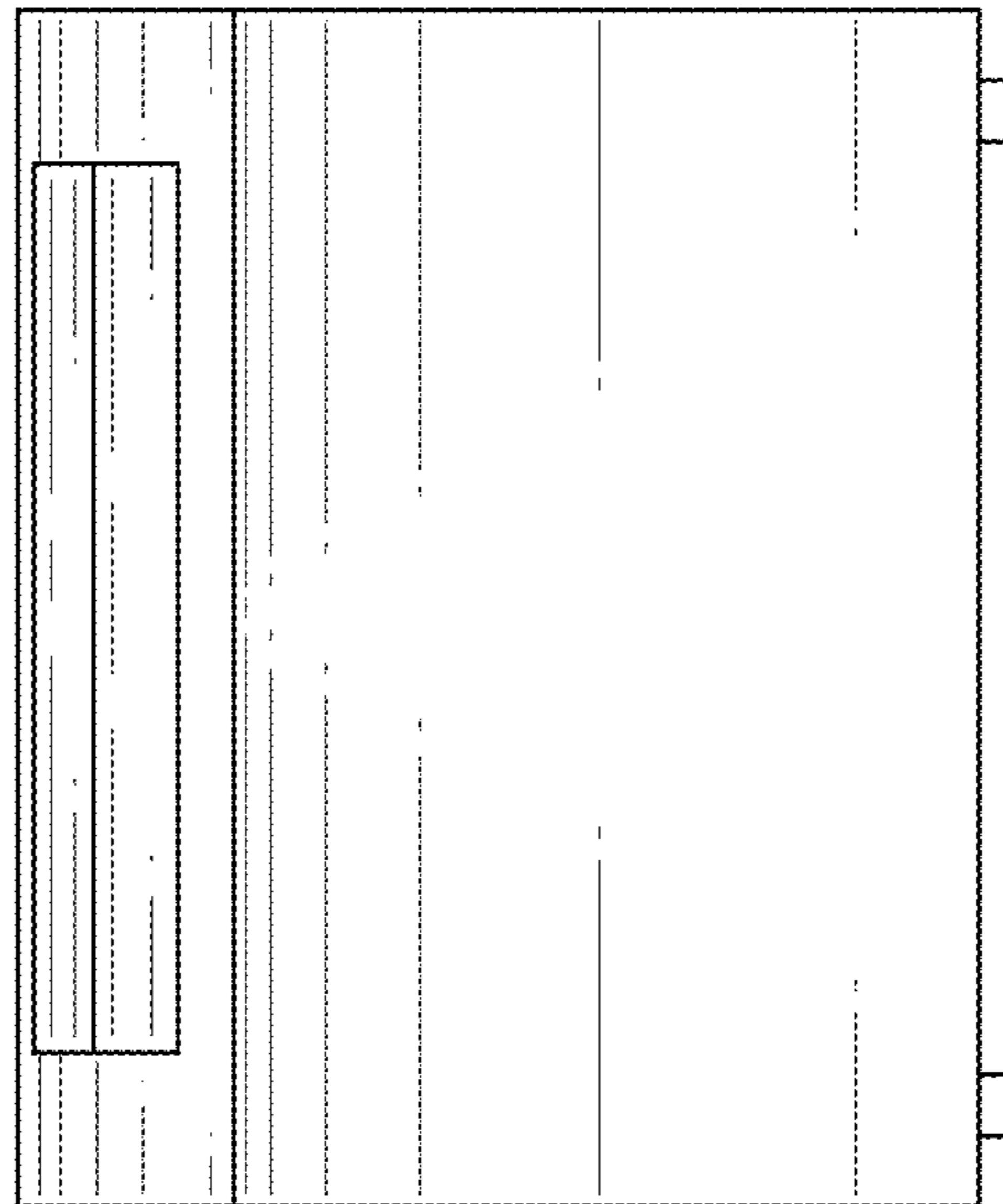


FIG. 4

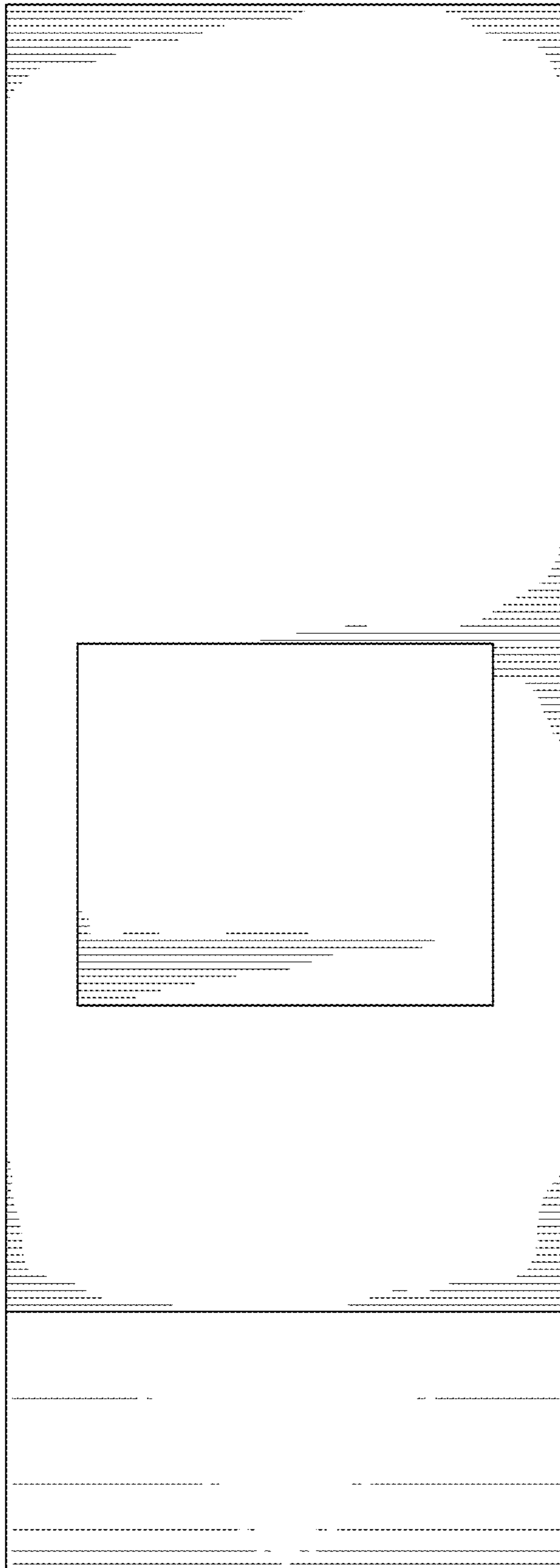


FIG. 6

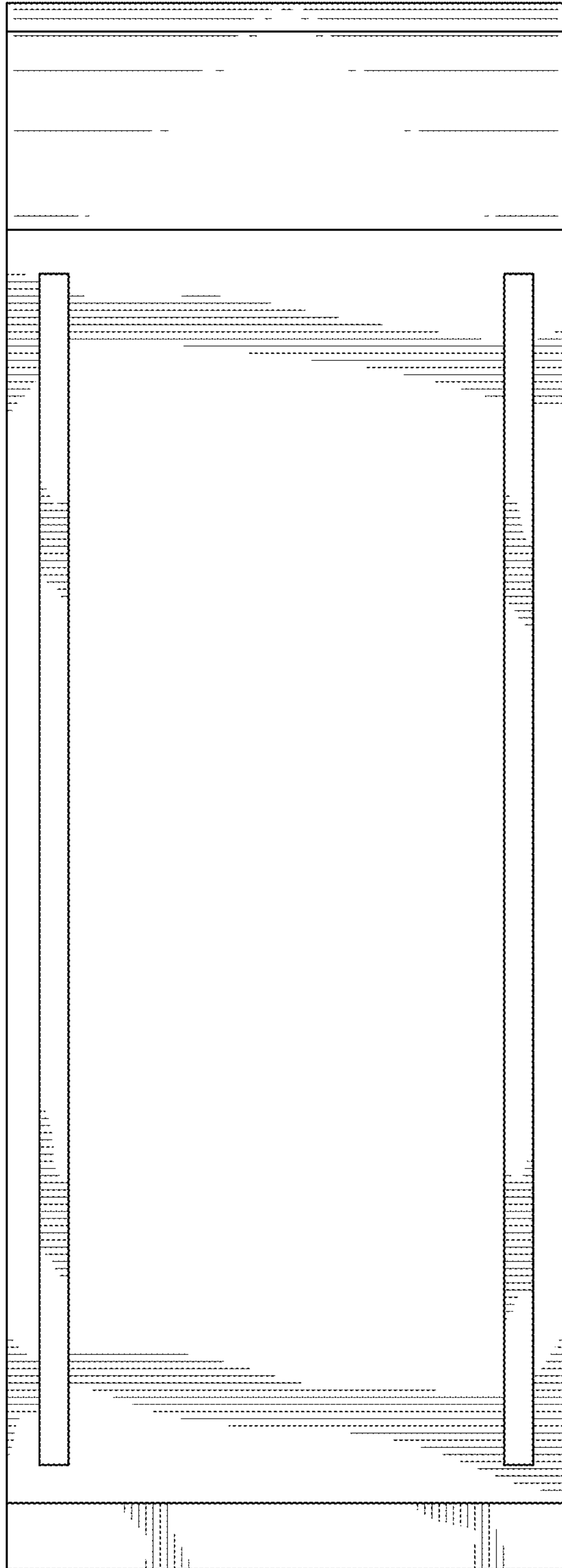


FIG. 7

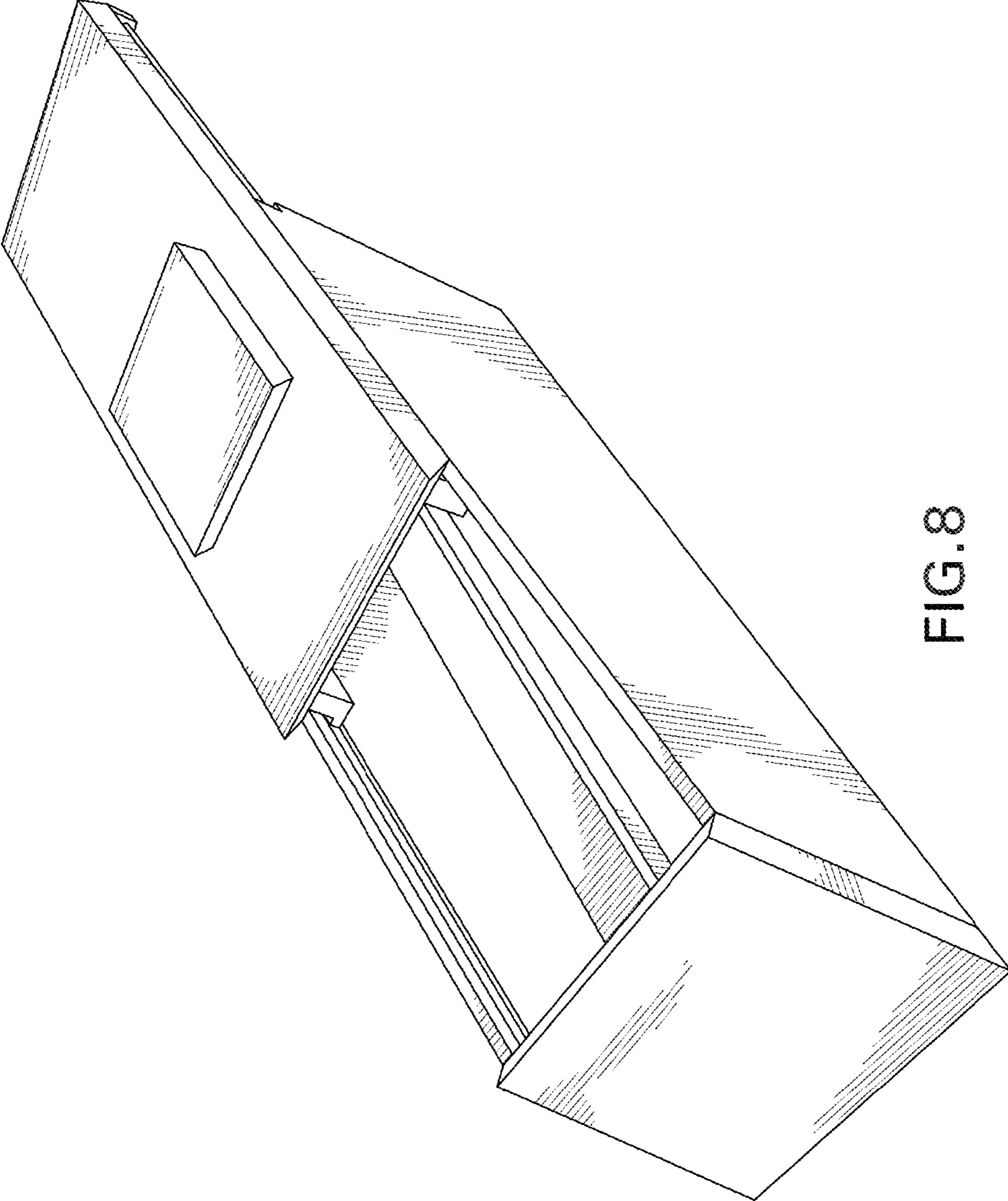


FIG. 8

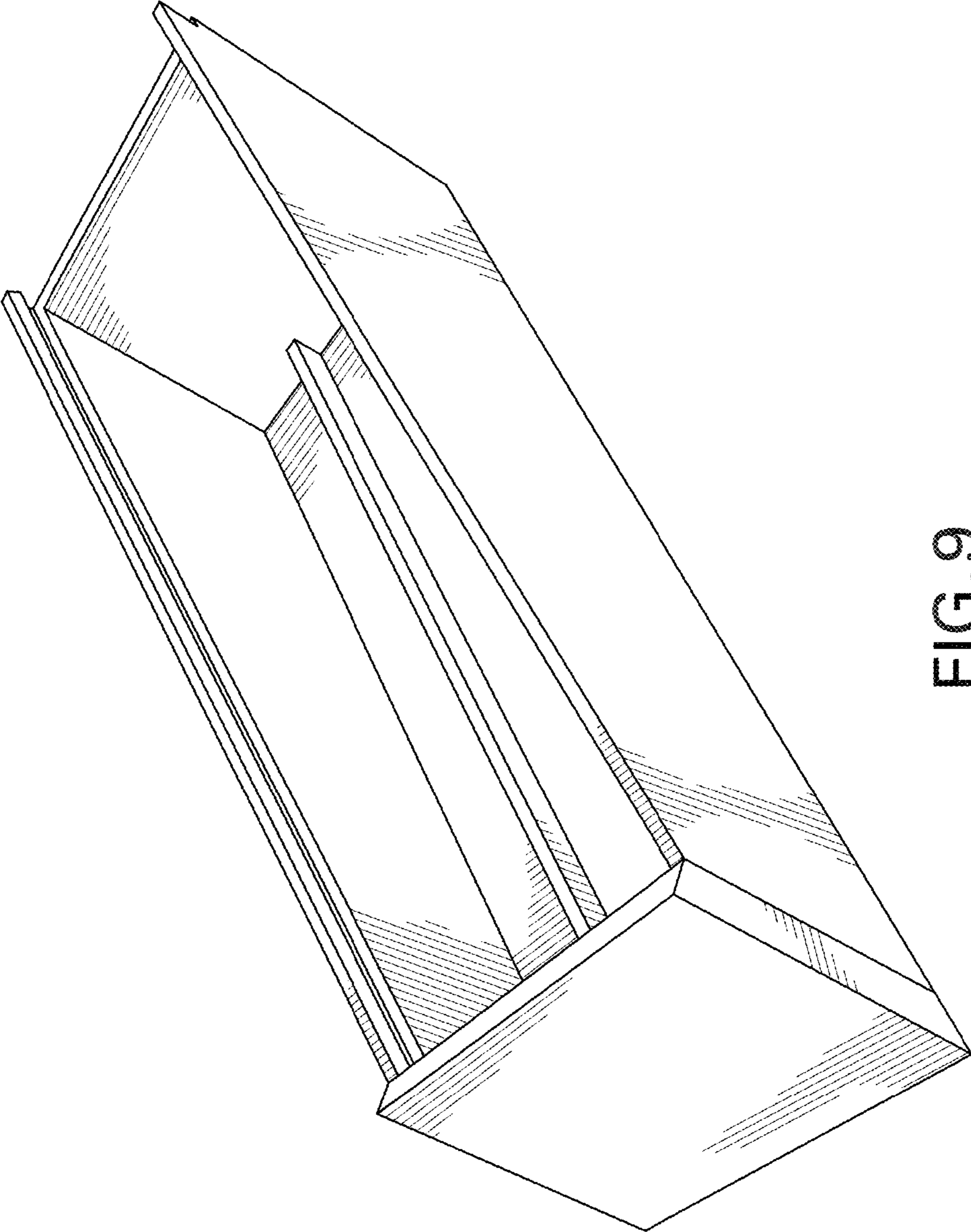


FIG. 9