



US00D770720S

(12) **United States Design Patent**  
**He et al.**

(10) **Patent No.:** **US D770,720 S**

(45) **Date of Patent:** **\*\* Nov. 1, 2016**

(54) **POWERED PALLET TRUCK**

(71) Applicant: **BIG LIFT, LLC**, Lombard, IL (US)

(72) Inventors: **Jinhui He**, Hangzhou (CN); **Lili Wu**, Hangzhou (CN); **Zhoujie Zhu**, Hangzhou (CN); **Linjie Xu**, Hangzhou (CN); **Qichen Ma**, Hangzhou (CN)

(73) Assignee: **BIG LIFT, LLC**, Lombard, IL (US)

(\*\*) Term: **15 Years**

(21) Appl. No.: **29/534,502**

(22) Filed: **Jul. 29, 2015**

**Related U.S. Application Data**

(62) Division of application No. 29/469,969, filed on Oct. 16, 2013, now Pat. No. Des. 739,112.

(51) **LOC (10) Cl.** ..... **12-05**

(52) **U.S. Cl.**  
USPC ..... **D34/34**

(58) **Field of Classification Search**  
USPC ..... D34/28-39; 187/231, 222, 414, 224, 187/237, 238; 180/89.12, 299, 325, 315; 414/574, 592, 685, 679; 280/43.12, 280/638

CPC ... B62B 3/0612; B62B 5/063; B62B 3/0618; B66F 9/065; B66F 9/085; B66F 9/12; B66F 9/22

See application file for complete search history.

(56) **References Cited**

**U.S. PATENT DOCUMENTS**

D136,279 S	8/1943	Holland et al.
2,592,091 A	4/1952	Weaver
3,043,388 A	7/1962	Hansen
3,249,170 A	5/1966	Quayle
3,295,881 A	1/1967	Worthington
3,601,423 A	8/1971	Goodacre

D222,670 S	11/1971	Goodacre
3,854,748 A	12/1974	Goodacre
D239,165 S	3/1976	Mono
4,047,698 A	9/1977	Ellis
4,065,012 A	12/1977	Rocco
4,096,961 A	6/1978	Rocco
4,103,795 A	8/1978	Miller
4,287,959 A	9/1981	Inman
4,577,463 A	3/1986	Kedem
4,589,669 A	5/1986	Kedem
4,615,533 A	10/1986	Sewell
5,113,960 A	5/1992	Prinz
D343,935 S	2/1994	Drobeck et al.

(Continued)

**OTHER PUBLICATIONS**

Brochure for "PDS Power Drive Straddle Trucks" issued by Blue Giant®, Sep. 1, 2010 (2 pages).

(Continued)

*Primary Examiner* — Daniel Bui

*Assistant Examiner* — Gino Colan

(74) *Attorney, Agent, or Firm* — Cook Alex Ltd.

(57) **CLAIM**

The ornamental design for a powered pallet truck, as shown and described.

**DESCRIPTION**

FIG. 1 is a rear perspective view of a powered pallet truck according to our new design;

FIG. 2 is a front perspective view thereof;

FIG. 3 is a rear elevational view thereof;

FIG. 4 is a left side elevational view thereof;

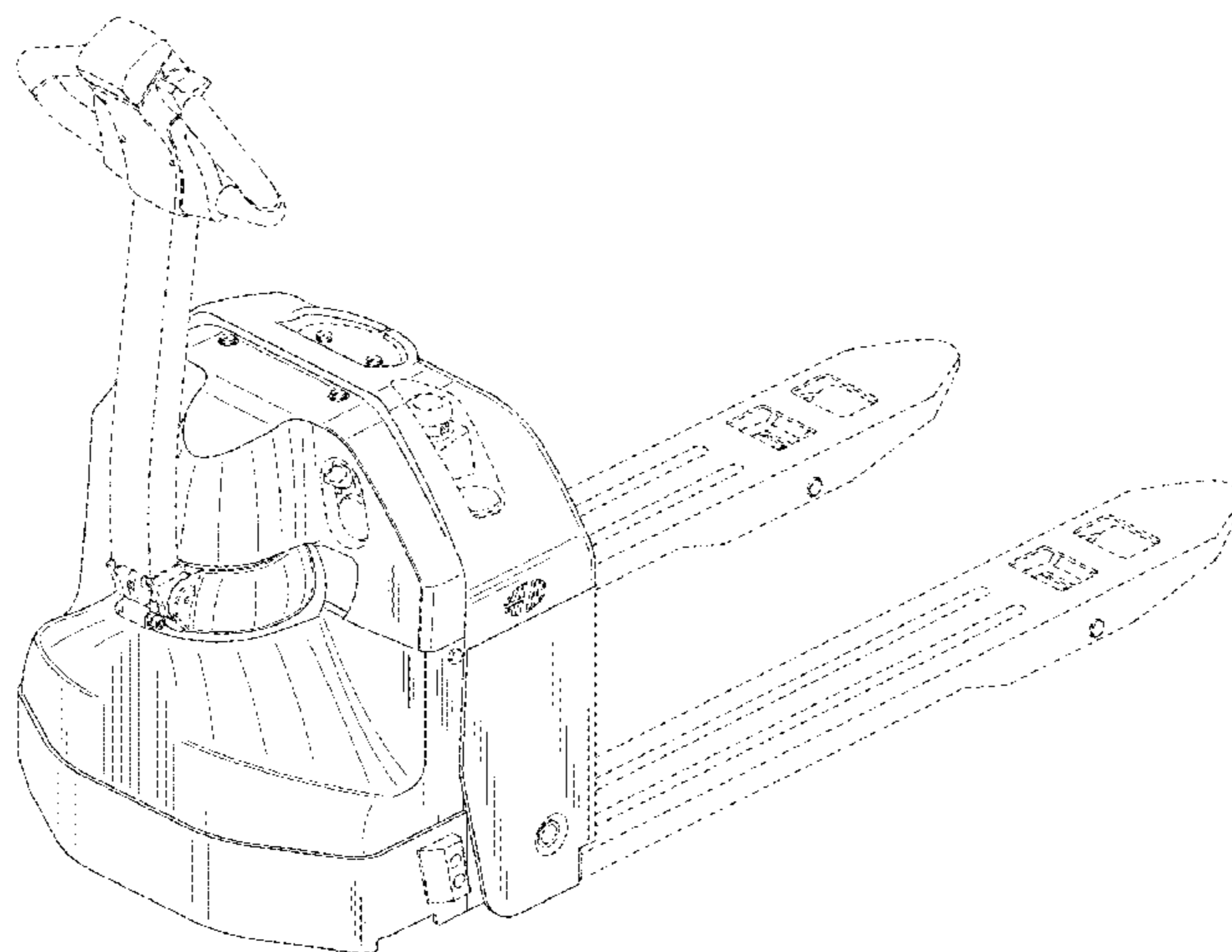
FIG. 5 is a right side elevational view thereof;

FIG. 6 is a front elevational view thereof; and,

FIG. 7 is a top plan view thereof.

The broken lines in the drawings are included for the purpose of illustrating portions of the powered pallet truck and form no part of the claimed design.

**1 Claim, 5 Drawing Sheets**



(56)

References Cited

U.S. PATENT DOCUMENTS

5,618,154 A 4/1997 Irons et al.  
 5,752,584 A 5/1998 Magoto et al.  
 D408,958 S 4/1999 Schneider  
 D419,741 S 1/2000 Johansson  
 6,125,971 A 10/2000 Niebuhr et al.  
 D440,373 S 4/2001 Meinhardt  
 6,260,646 B1 7/2001 Fernandez et al.  
 D447,612 S 9/2001 Niebuhr  
 D464,785 S 10/2002 Gallagher  
 7,040,427 B2 5/2006 Toomey  
 D530,878 S 10/2006 Ruppert et al.  
 D542,004 S 5/2007 Righi  
 D559,497 S 1/2008 Ruppert et al.  
 D559,498 S 1/2008 Ruppert et al.  
 D562,525 S 2/2008 Graf et al.  
 D565,270 S 3/2008 Ruppert et al.  
 D583,124 S 12/2008 Stark  
 D601,324 S 9/2009 Knie et al.  
 D608,521 S 1/2010 Berger et al.  
 D608,522 S 1/2010 Berger et al.  
 7,744,335 B1 6/2010 Cleary  
 D650,959 S 12/2011 Gilbride et al.  
 8,075,244 B2 12/2011 Ellington  
 D655,064 S 2/2012 Knie  
 8,230,976 B2 7/2012 Baldini  
 8,246,008 B2 8/2012 De Jong et al.  
 D674,982 S 1/2013 Babel et al.

8,360,443 B2 1/2013 Ellington  
 8,540,213 B2 9/2013 Feiquan et al.  
 D692,202 S 10/2013 Feiquan et al.  
 D692,203 S 10/2013 Feiquan et al.  
 D692,204 S 10/2013 Feiquan et al.  
 D739,112 S \* 9/2015 He ..... D34/34  
 2005/0036880 A1 2/2005 Magolo et al.  
 2006/0181039 A1 8/2006 Fridlington, Jr.  
 2009/0260923 A1 10/2009 Baldini  
 2015/0102274 A1\* 4/2015 He ..... B62B 3/0618  
 254/2 C

OTHER PUBLICATIONS

Website for Shanghai Noblelift Co. Ltd. Guangzhou Subsidiary  
 “Semi-electric Pallet Truck Spt” <http://gdnobliften.en.busytrade.com/products/info/1904267/Semi-electric-Pallet-Truck-Spt.html>,  
 accessed Jan. 13, 2012, (4 pages).  
 Website for Stars for “Electric Vehicle—Electric Pallet Truck,”  
<http://www.starstw.com/news/stars-electric-pallet-truck.html>,  
 accessed Jan. 13, 2012 (1 page).  
 Website for Cherry’s Industrial Equipment for “SPT15-Semi Elec-  
 tric Pallet Truck” <http://www.pallettruck.com/spt15.html>, accessed  
 Jan. 17, 2012 (1 Page).  
 E-P Equipment Co., Ltd.—Maximin Electric Pallet Truck EPT20-  
 15ET photographs (1 page).

\* cited by examiner

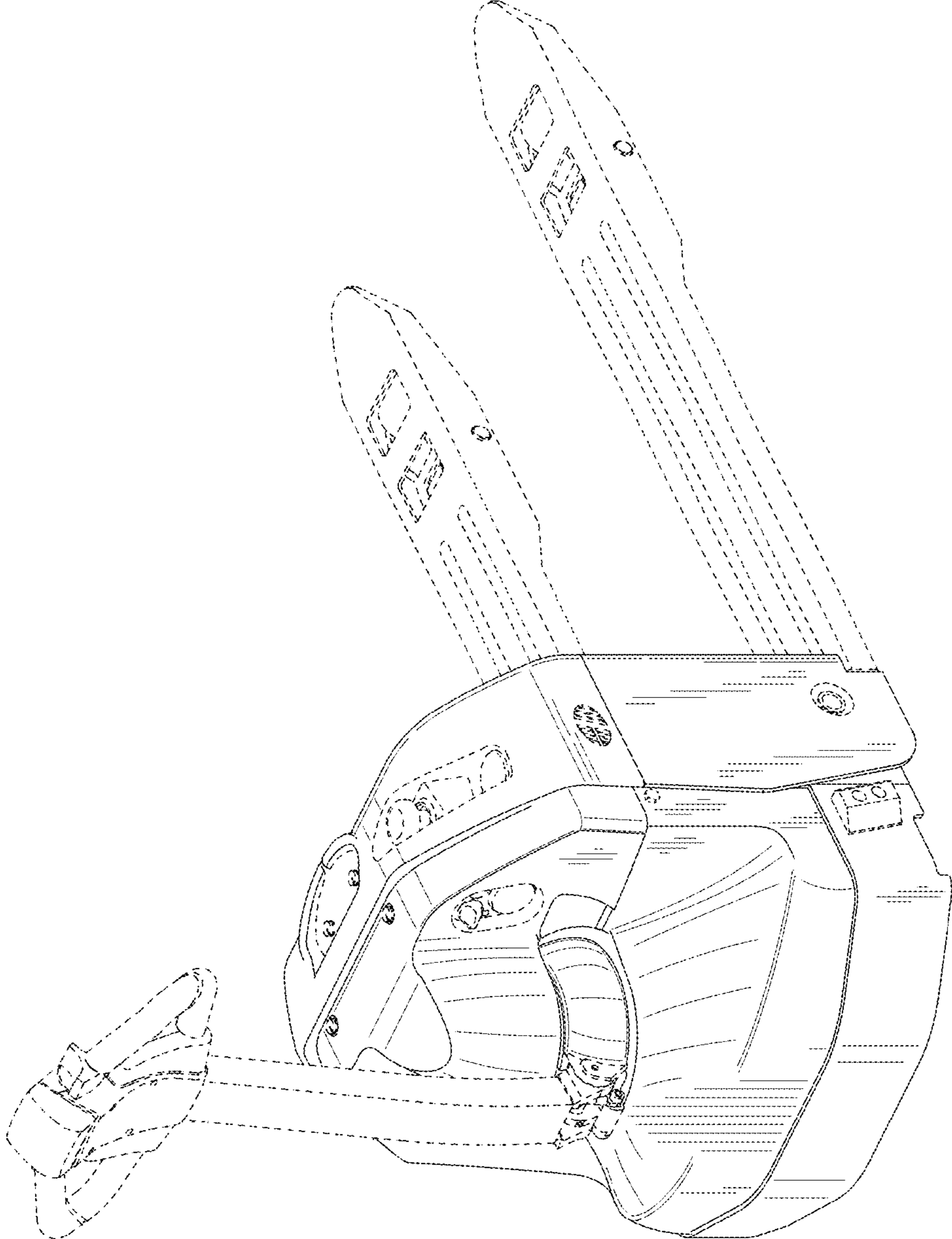


FIG. 1

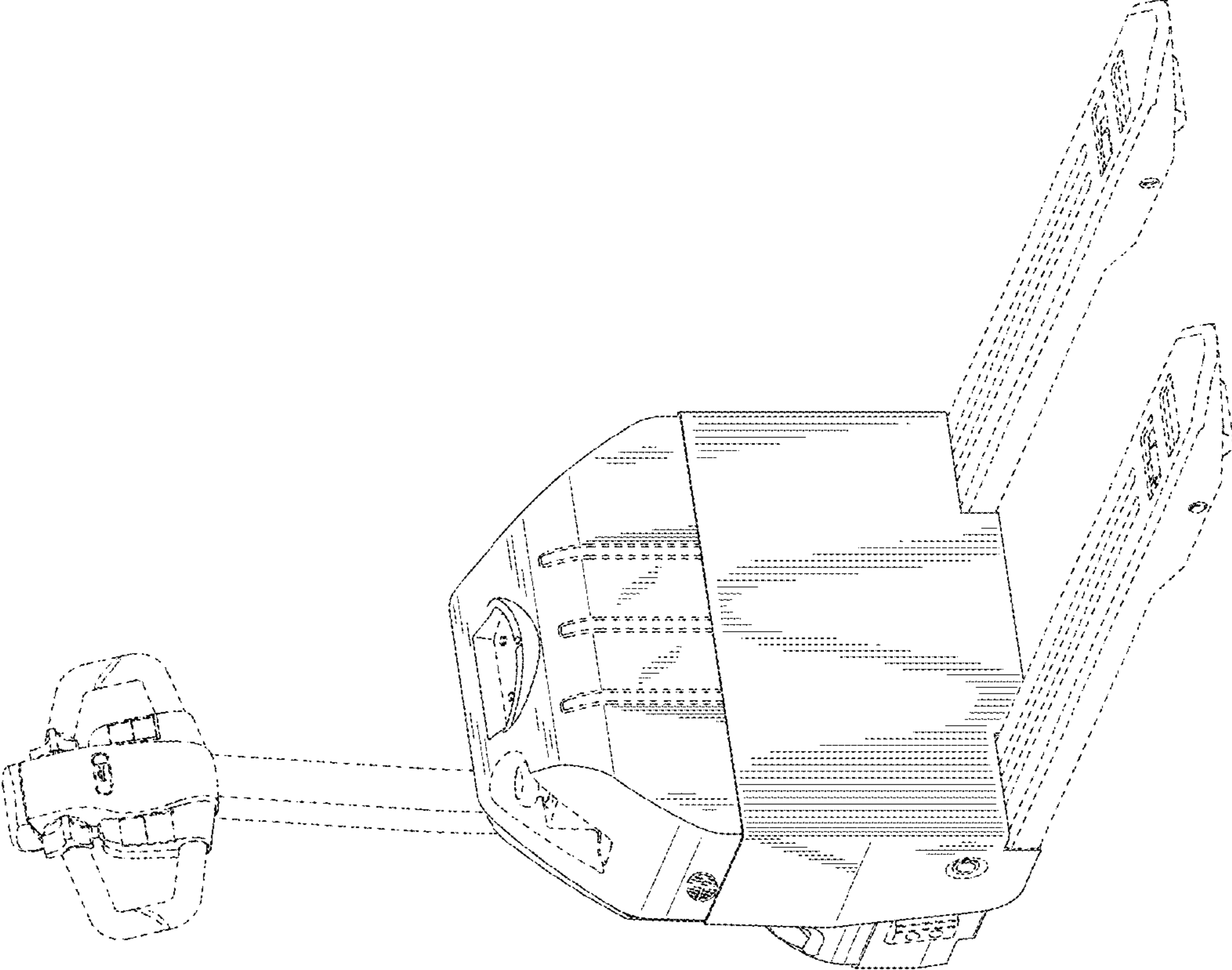


FIG. 2

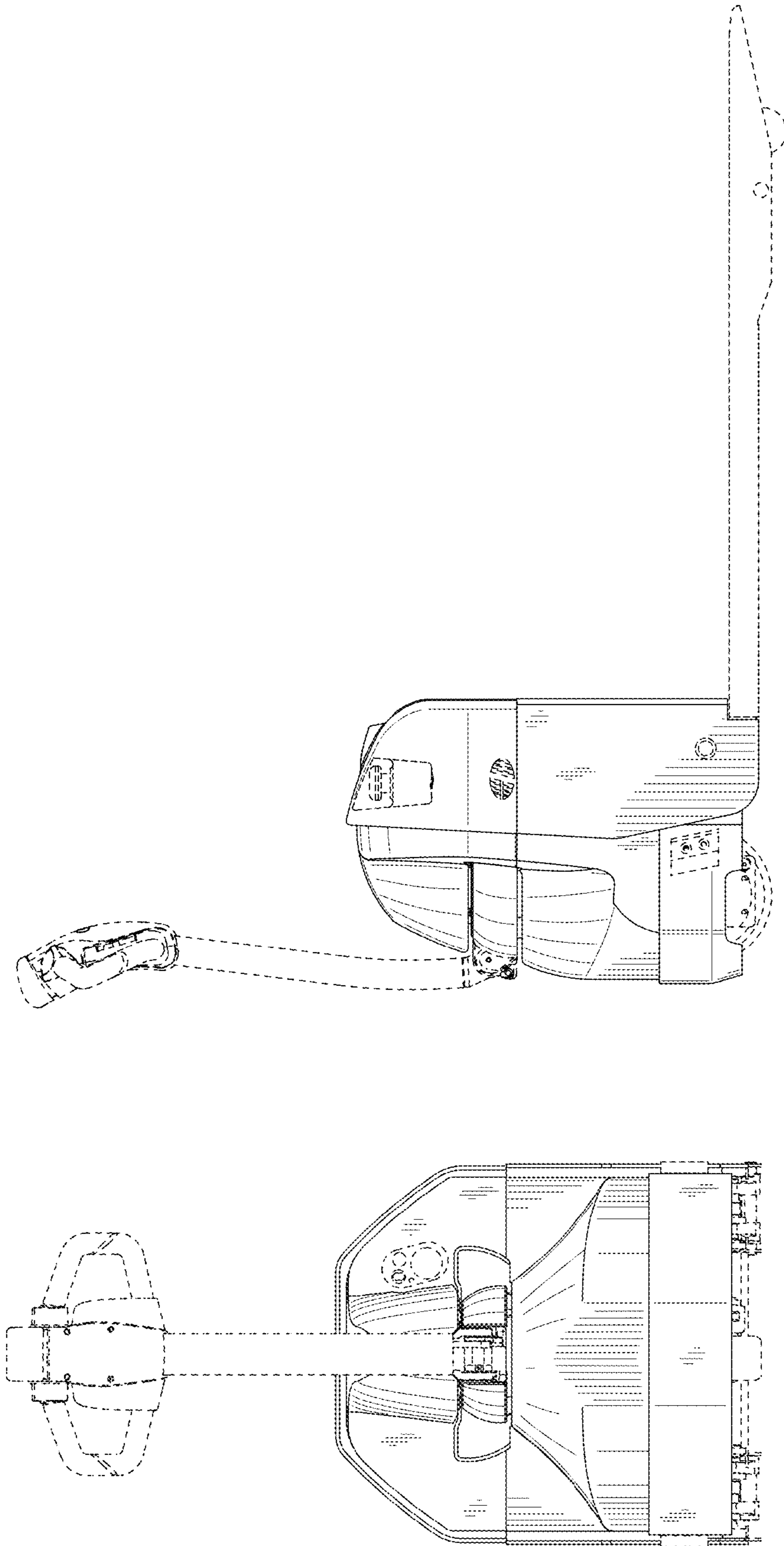


FIG. 4

FIG. 3

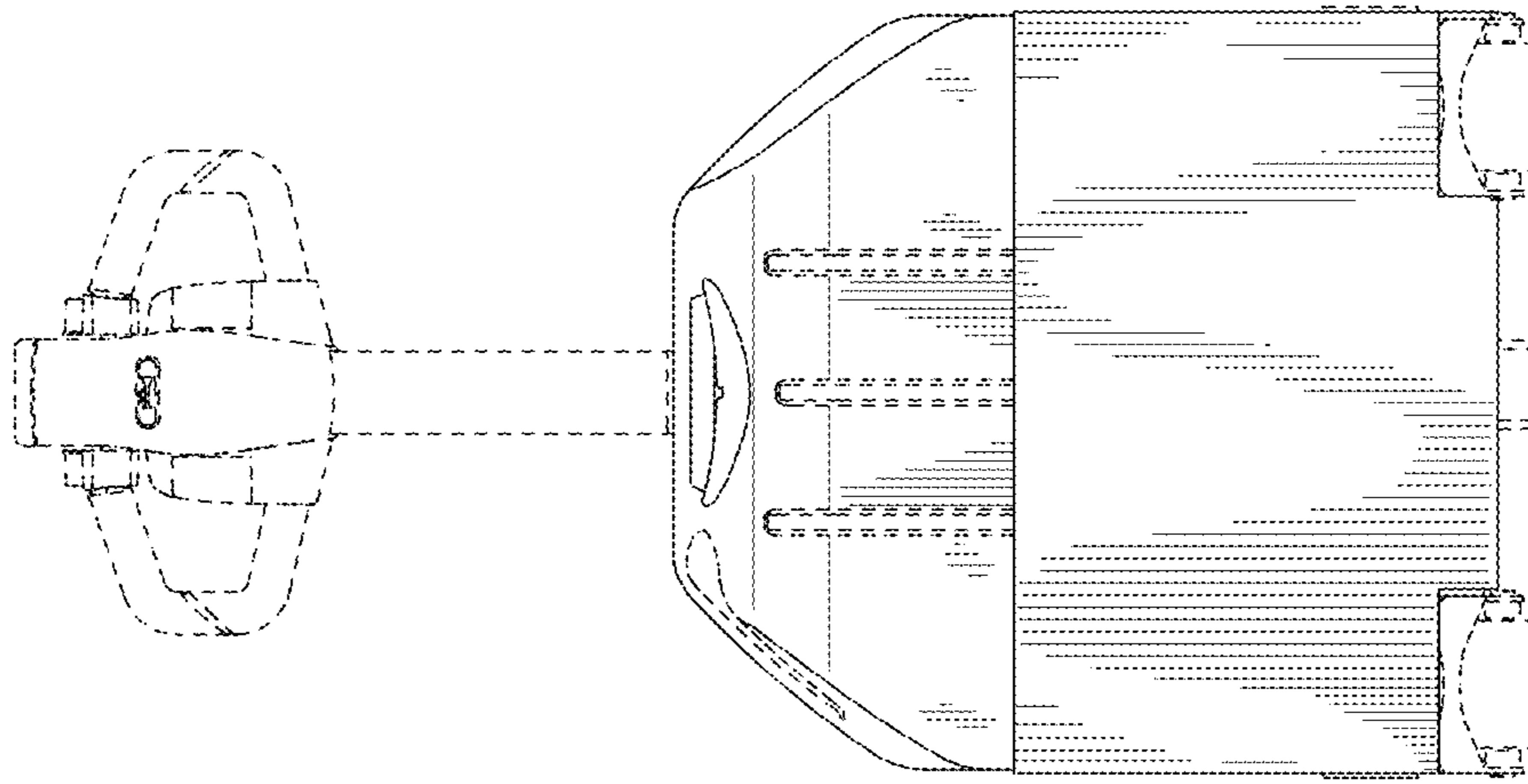


FIG. 6

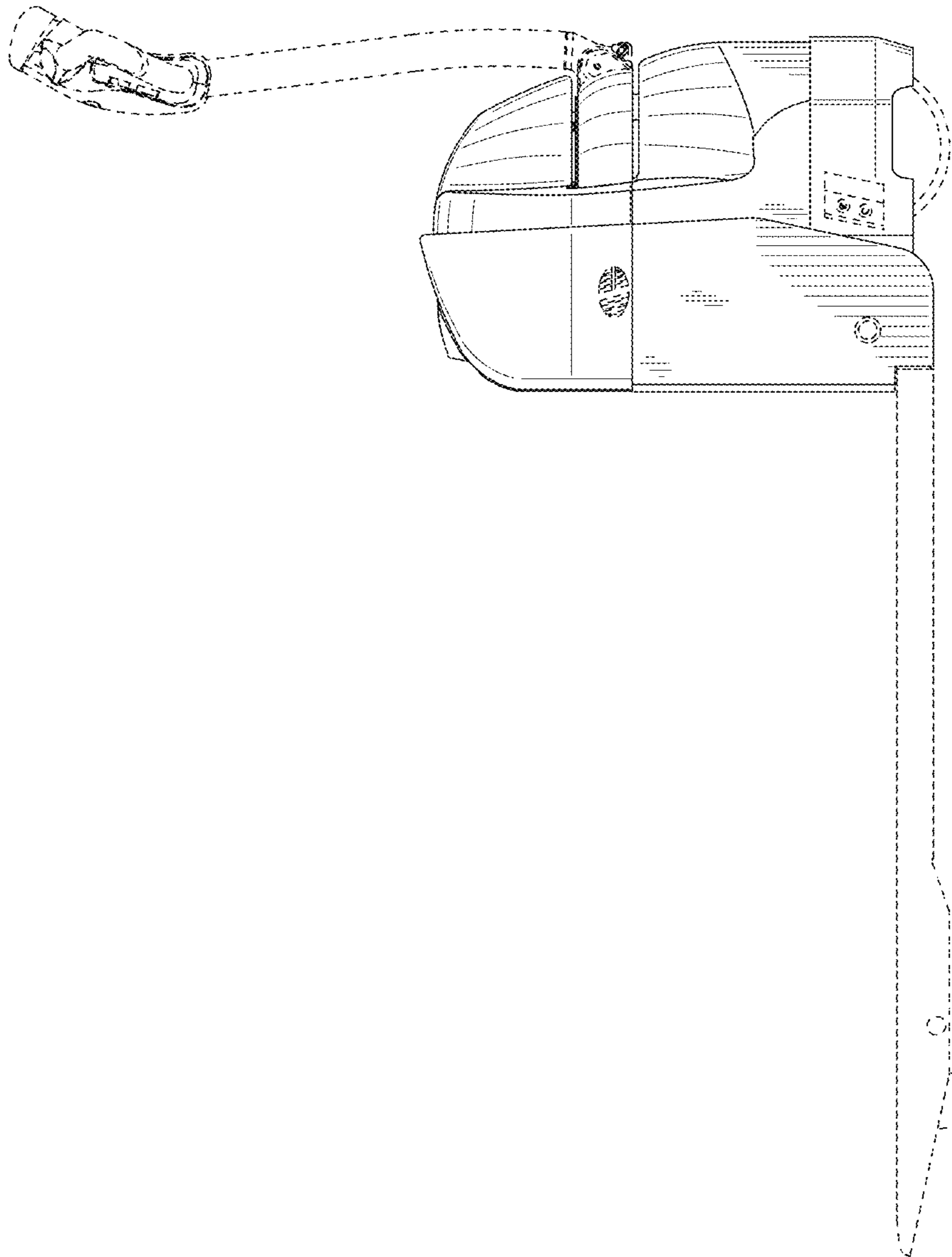


FIG. 5

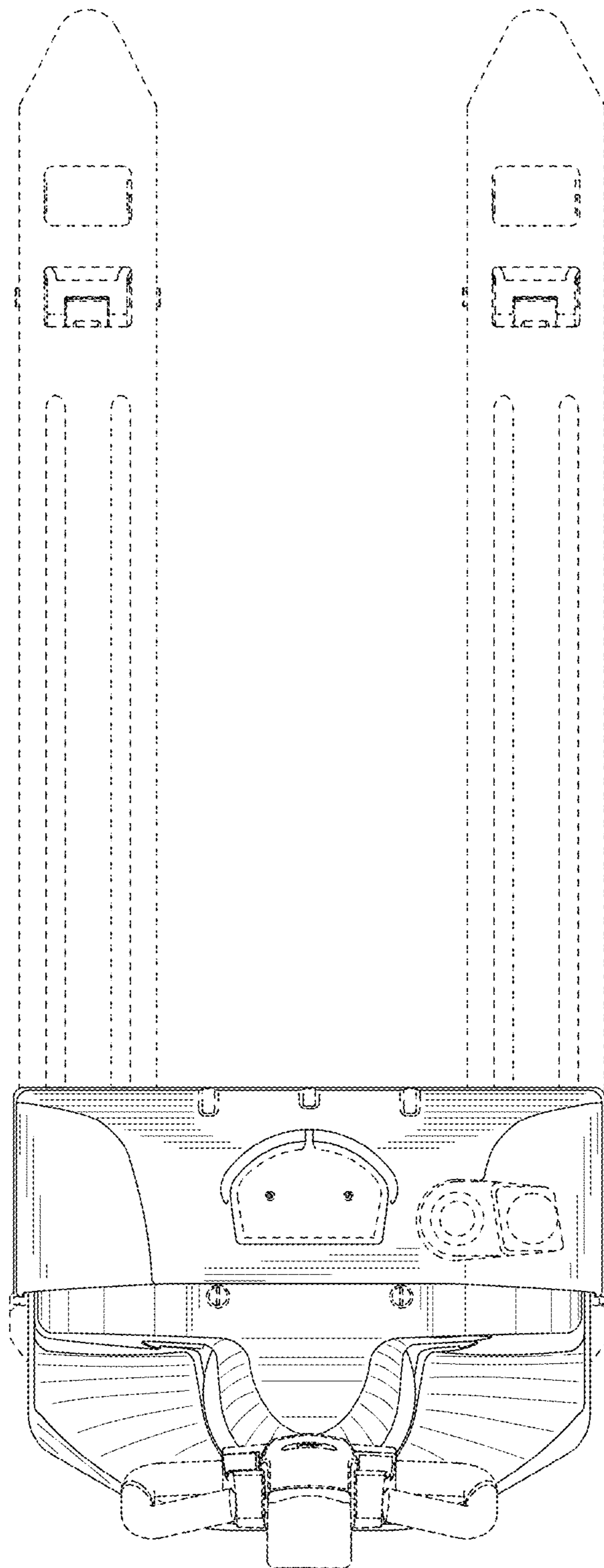


FIG. 7