



US00D770716S

(12) **United States Design Patent** (10) **Patent No.:** **US D770,716 S**
Giampavolo et al. (45) **Date of Patent:** **** Nov. 1, 2016**

- (54) **SHOPPING CART FRAME**
- (71) Applicant: **Safe-Strap Company, Inc.**, Wharton, NJ (US)
- (72) Inventors: **Paul Giampavolo**, Newton, NJ (US); **Christopher M. Johnson**, Glen Allen, VA (US)
- (73) Assignee: **Safe-Strap Company, Inc.**, Wharton, NJ (US)
- (**) Term: **15 Years**
- (21) Appl. No.: **29/528,122**
- (22) Filed: **May 26, 2015**
- (51) **LOC (10) Cl.** **12-02**
- (52) **U.S. Cl.**
USPC **D34/17**
- (58) **Field of Classification Search**
USPC D34/12-25, 27, 133; 280/47.35, 651, 280/79.2, 33.991, 33.997, 33.993
CPC .. B62B 3/14; B62B 3/1496; B62B 2501/067
See application file for complete search history.

- D520,209 S * 5/2006 Duchene D34/27
- D548,421 S * 8/2007 Walter D34/17
- D589,852 S * 4/2009 Giampavolo D12/133
- D596,366 S * 7/2009 Giampavolo D34/17
- D655,880 S * 3/2012 Giampavolo D34/12
- 2005/0012284 A1* 1/2005 Prather B62B 3/14
280/33.997
- 2006/0290082 A1* 12/2006 Duchene B62B 3/14
280/33.991

* cited by examiner

Primary Examiner — Cynthia Ramirez

Assistant Examiner — Gino Colan

(74) *Attorney, Agent, or Firm* — West Hill Technology Counsel, Inc.

(57) **CLAIM**

The ornamental design for a shopping cart frame, as shown and described.

DESCRIPTION

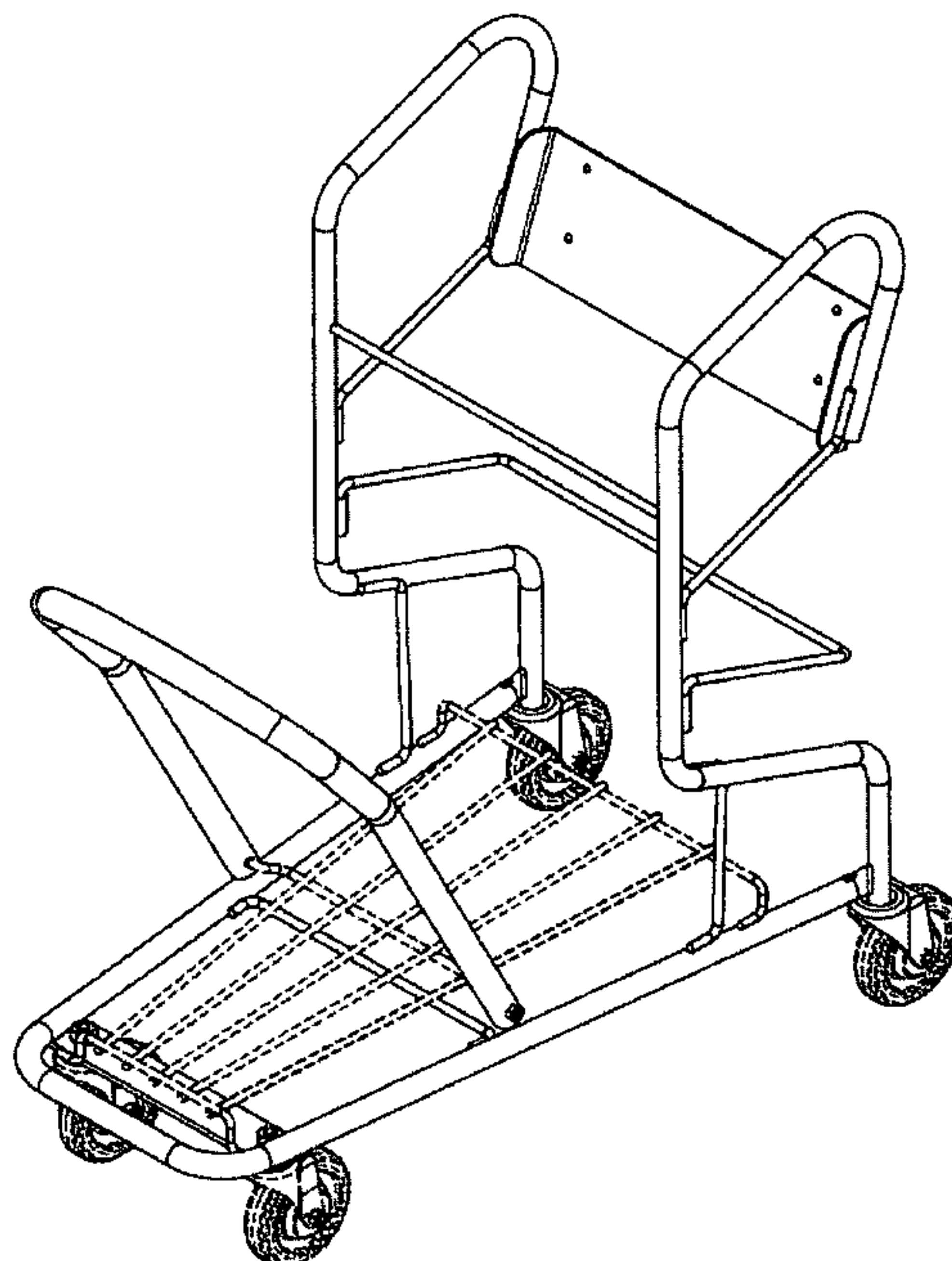
FIG. 1 is a side elevation view of the shopping cart frame; FIG. 2 is a front elevation view thereof; FIG. 3 is a side elevation view thereof, which is opposite to the view shown in FIG. 1; FIG. 4 is a rear elevation view thereof; FIG. 5 is a top plan view thereof; FIG. 6 is a bottom plan view thereof; FIG. 7 is a perspective view thereof; and, FIG. 8 is the side elevation view of FIG. 1 showing a pivoting component in a different position. The broken lines shown in the figures are included for the purpose of illustrating environment and form no part of the claimed design.

1 Claim, 8 Drawing Sheets

(56) **References Cited**

U.S. PATENT DOCUMENTS

- 4,721,317 A * 1/1988 Avot B62B 3/1464
248/101
- D365,904 S * 1/1996 Adamson 280/33.993
- 6,131,936 A * 10/2000 Eguchi B60B 33/00
104/242
- D470,084 S * 2/2003 Schlough D12/129



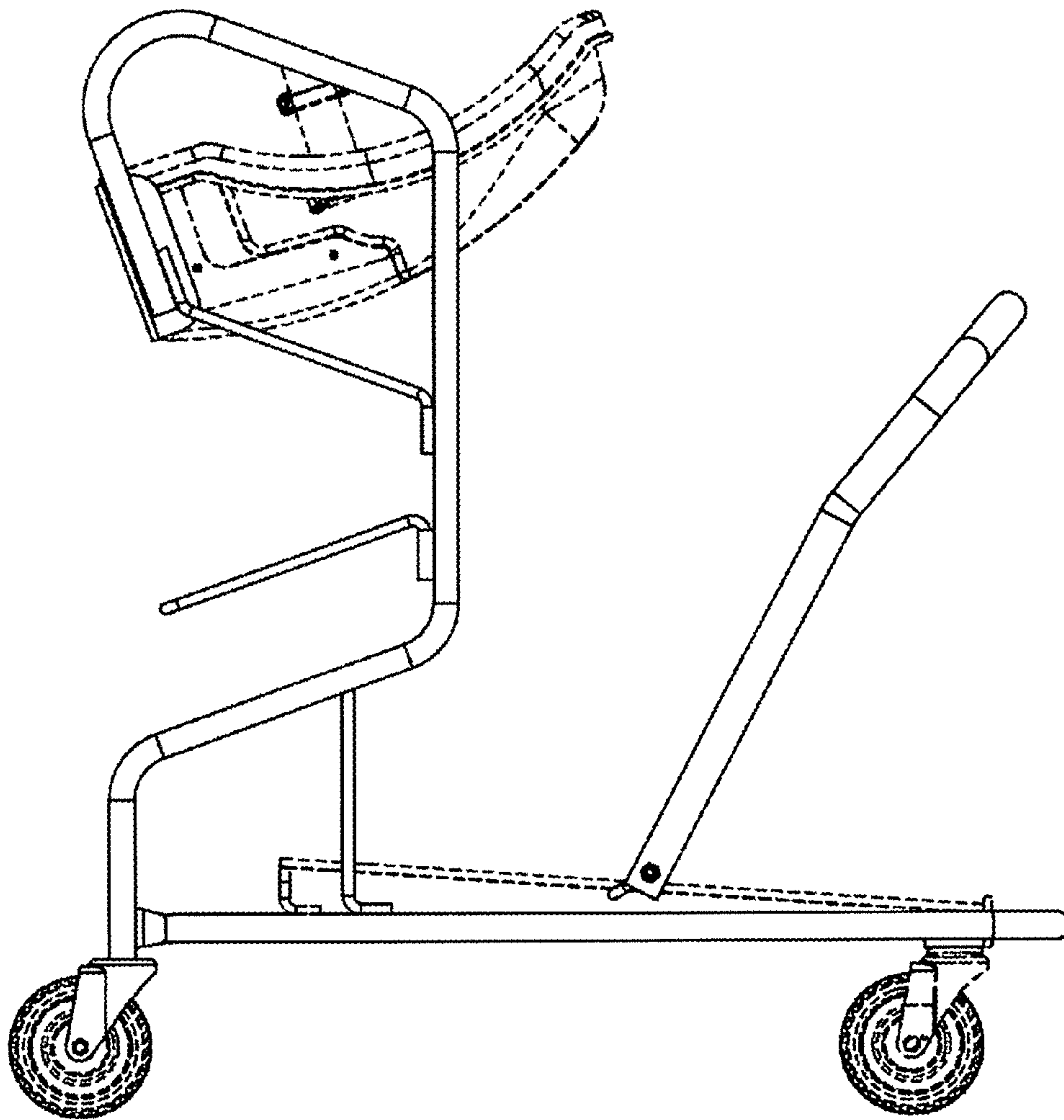


Fig. 1

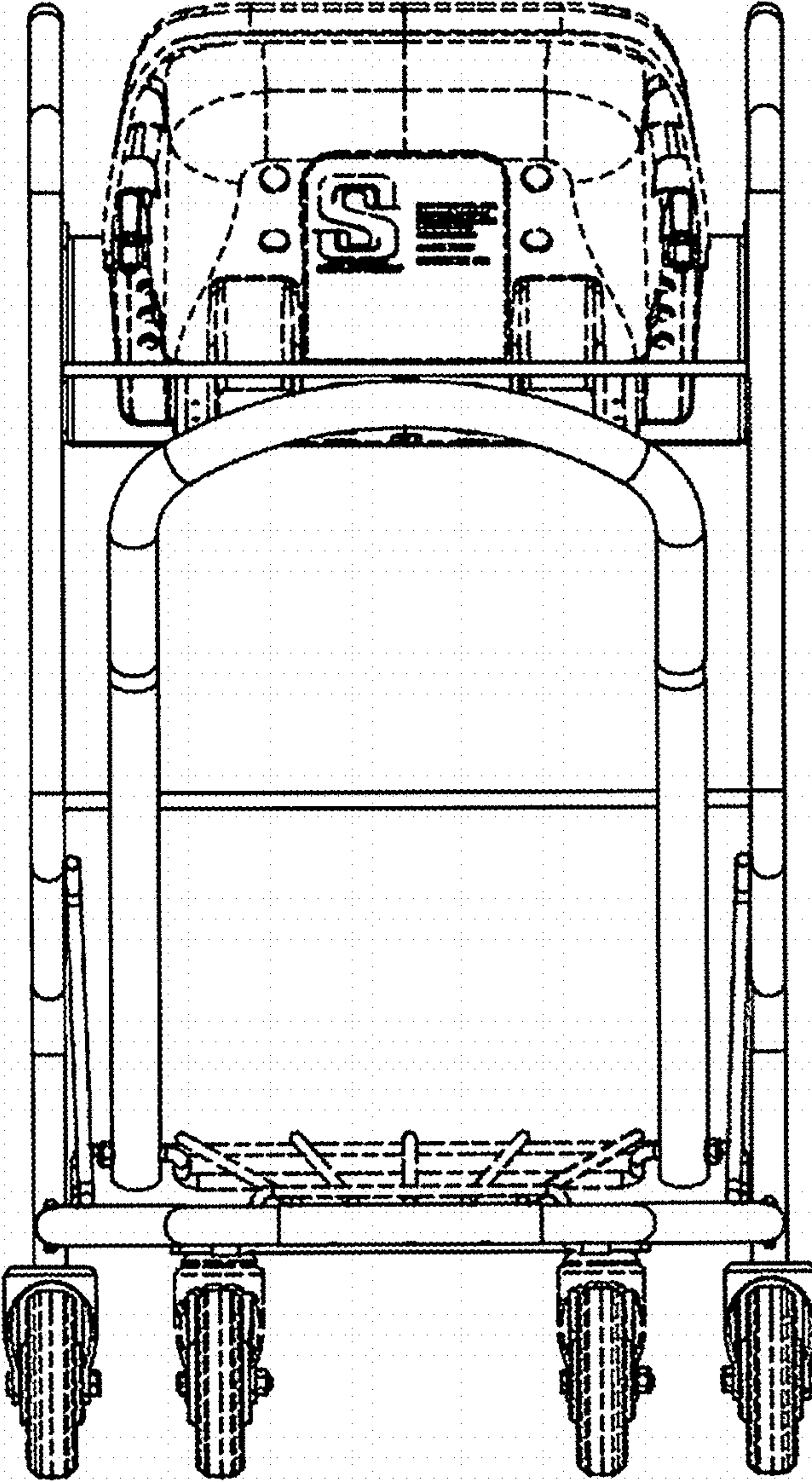


Fig. 2

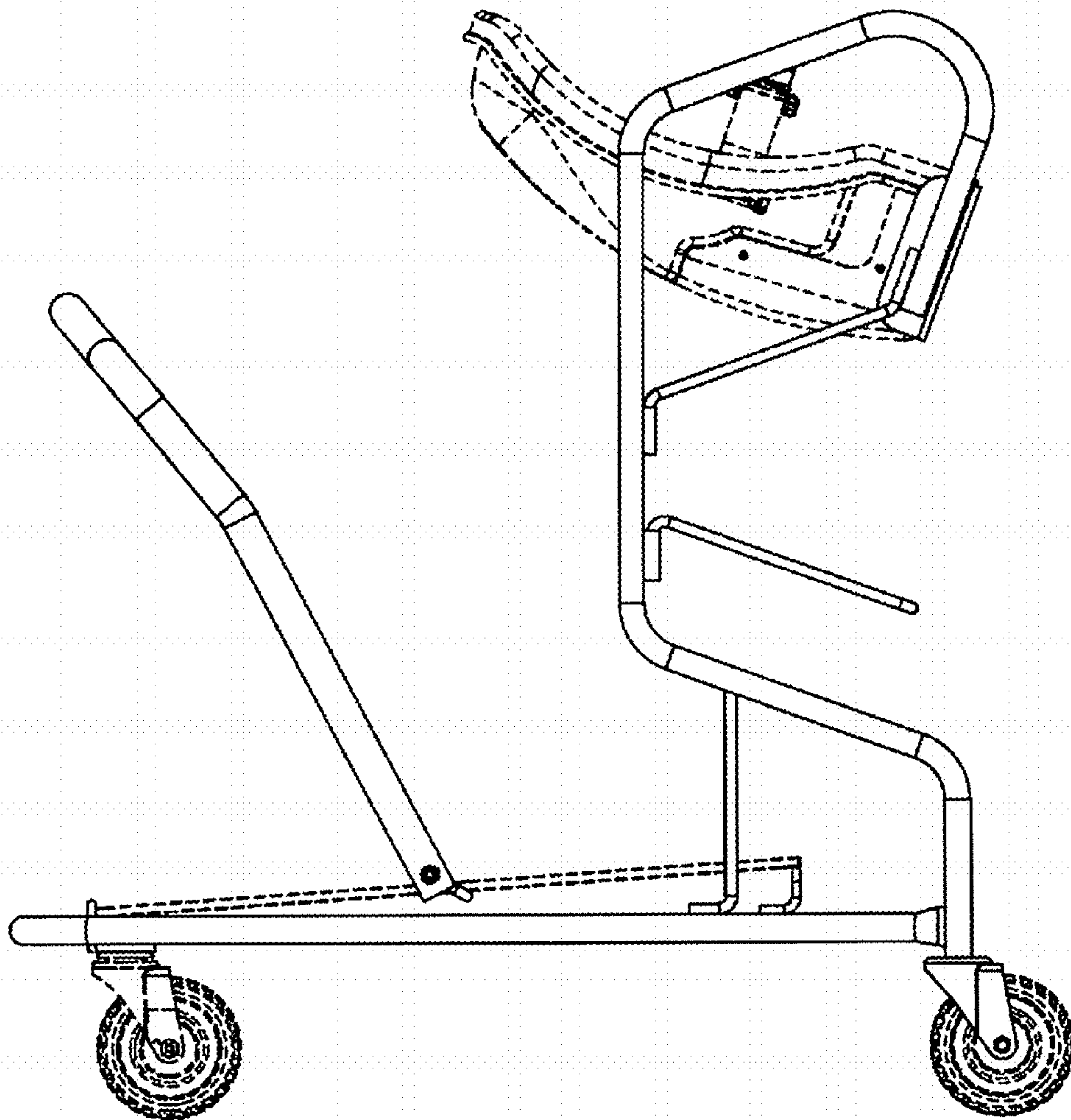


Fig. 3

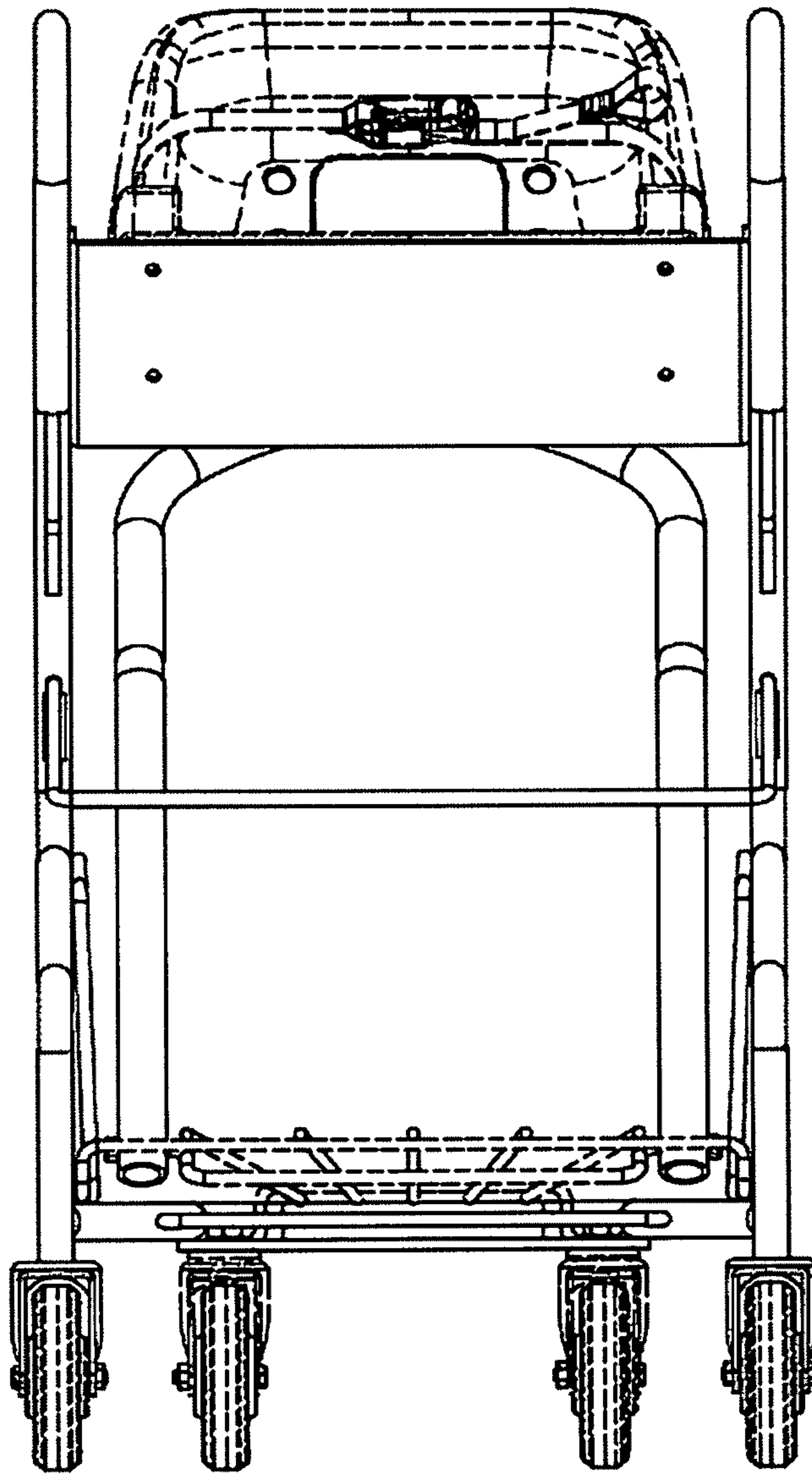


Fig. 4

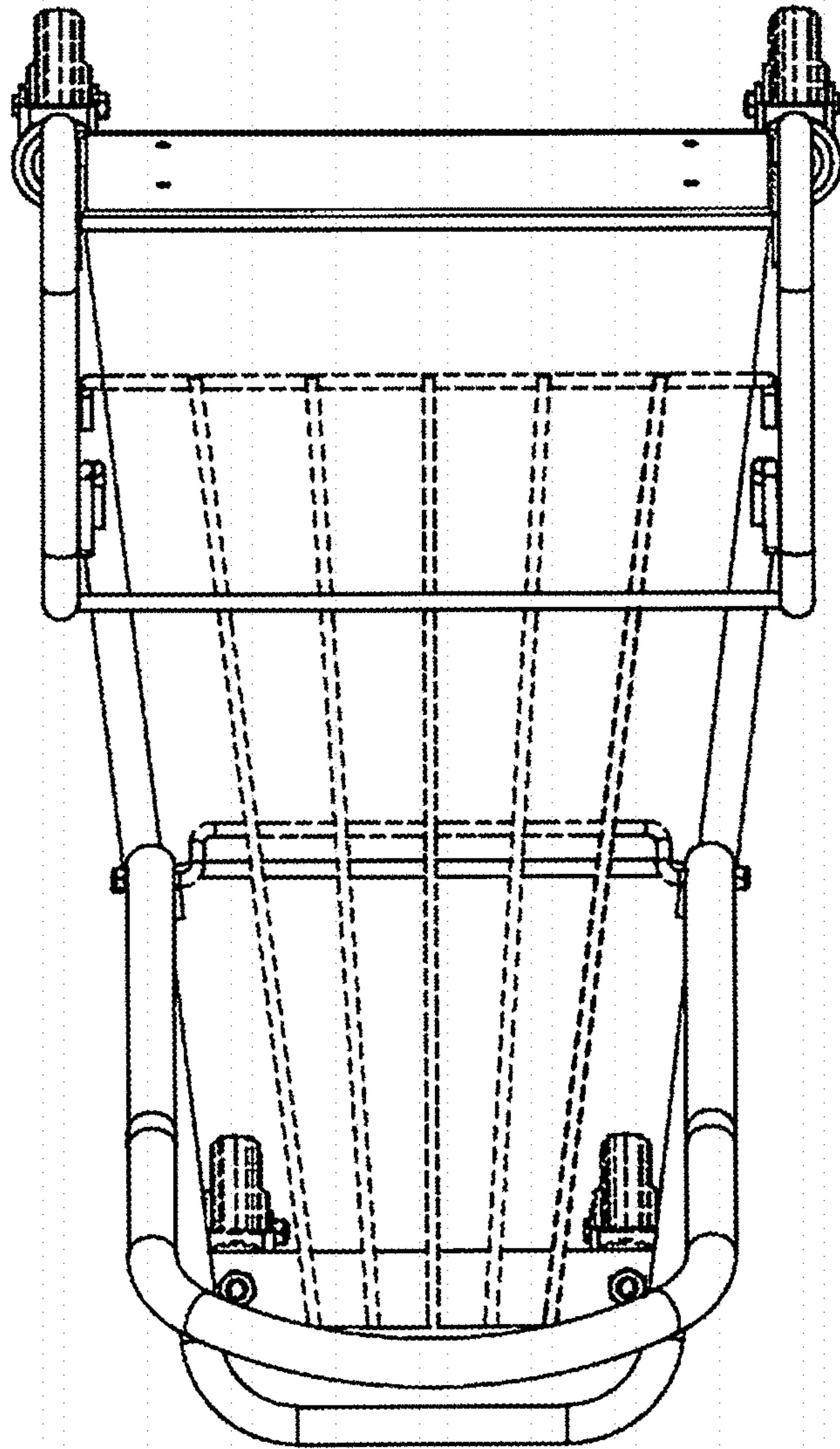


Fig. 5

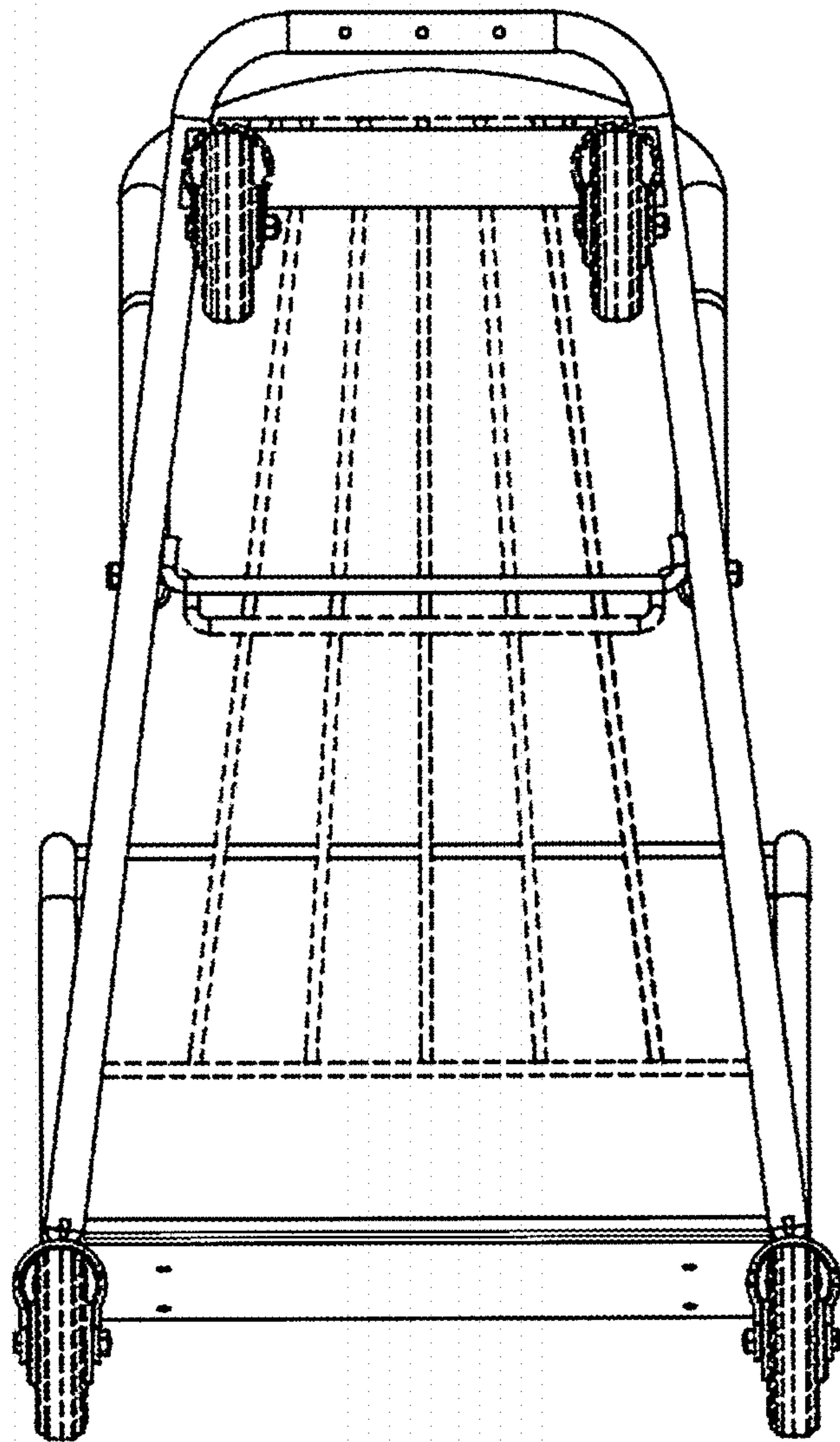


Fig. 6

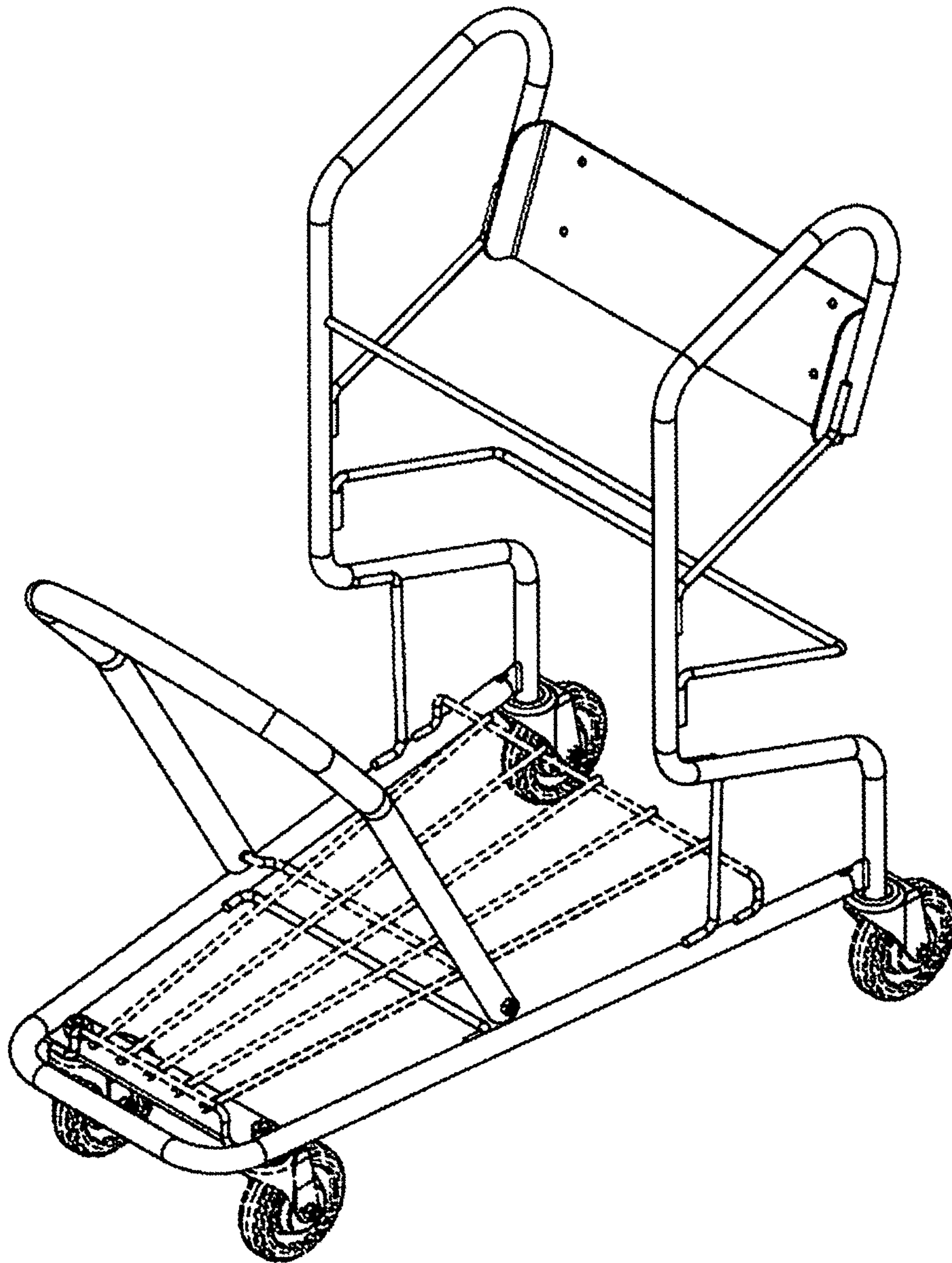


Fig. 7

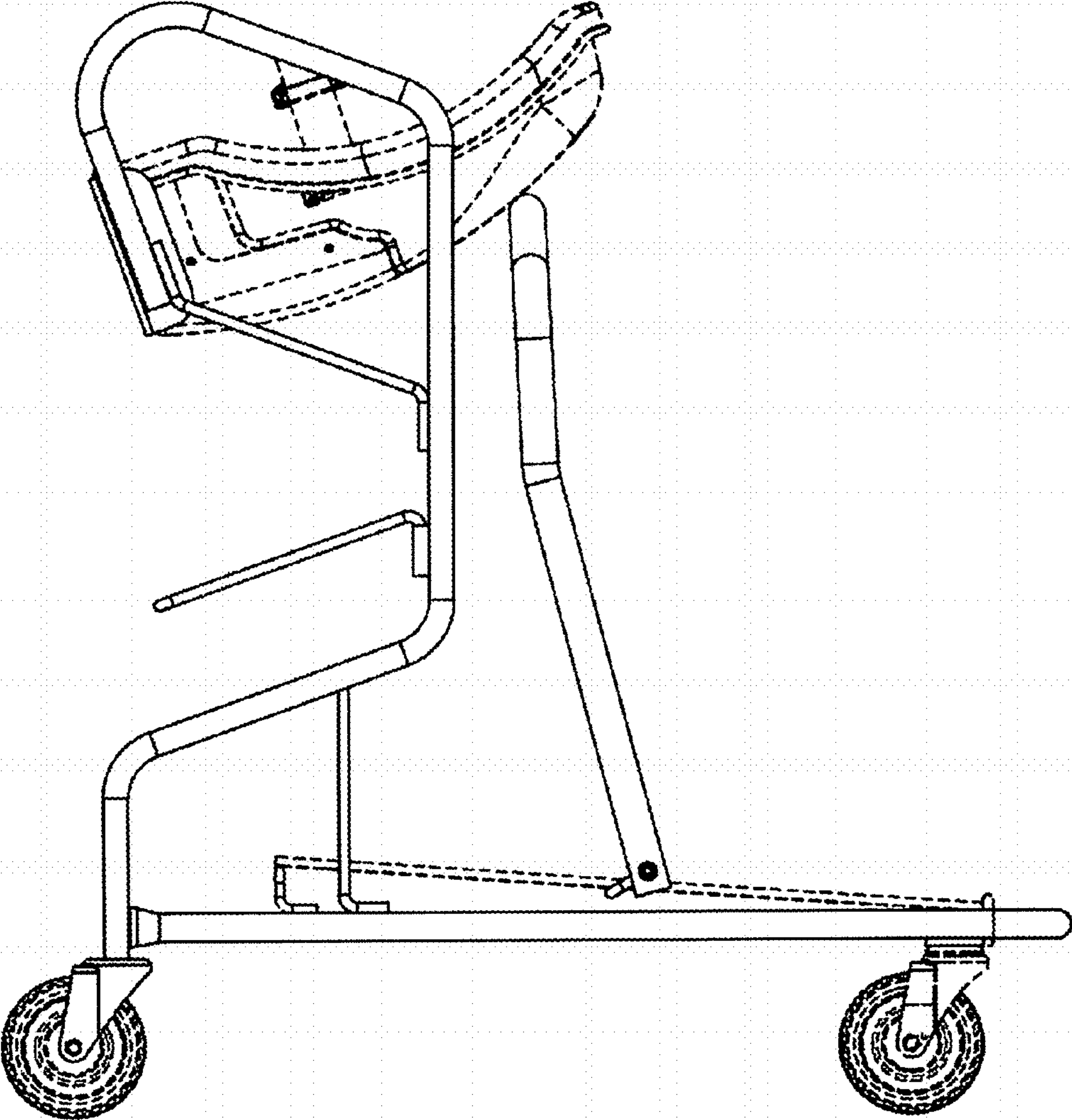


Fig. 8