



US00D770715S

(12) **United States Design Patent**
Cooper

(10) **Patent No.:** **US D770,715 S**

(45) **Date of Patent:** **** Nov. 1, 2016**

(54) **DRYING MAT AND TRAY**

(71) Applicant: **POLDER HOUSEWARES, INC.**,
Oxford, CT (US)

(72) Inventor: **Kerry Cooper**, Pleasantville, NY (US)

(73) Assignee: **POLDER PRODUCTS, LLC**, Oxford,
CT (US)

(**) Term: **15 Years**

(21) Appl. No.: **29/546,129**

(22) Filed: **Nov. 19, 2015**

(51) **LOC (10) Cl.** **07-05**

(52) **U.S. Cl.**
USPC **D32/58**

(58) **Field of Classification Search**
USPC D32/55, 276, 3, 58; D6/510, 525;
211/41.5, 41.4, 41.3, 41.8, 195, 200;
361/679.4; 312/311, 333, 334.4;
D7/354, 629, 368
CPC A47J 47/20; A47J 2201/00; A47J 47/00;
B65D 35/02; B65D 35/22; B65D 35/56
See application file for complete search history.

(56) **References Cited**

U.S. PATENT DOCUMENTS

D518,143 S * 3/2006 Weidler D23/209
D634,089 S * 3/2011 Wisniewski D32/55

D670,882 S * 11/2012 Meredith D32/55
D685,560 S * 7/2013 Lee D32/57
D693,081 S * 11/2013 Yang D32/55
D706,008 S * 5/2014 Lerner D32/55
D707,004 S * 6/2014 Levy D32/57
D732,256 S * 6/2015 Huang D32/55
D751,784 S * 3/2016 Robbins, III D32/55
2008/0149644 A1 * 6/2008 Piacenza A47L 19/04
220/572
2010/0143640 A1 6/2010 Wilmsen
2010/0209661 A1 8/2010 Wilmsen

* cited by examiner

Primary Examiner — Austin Murphy

(74) *Attorney, Agent, or Firm* — Duane Morris LLP

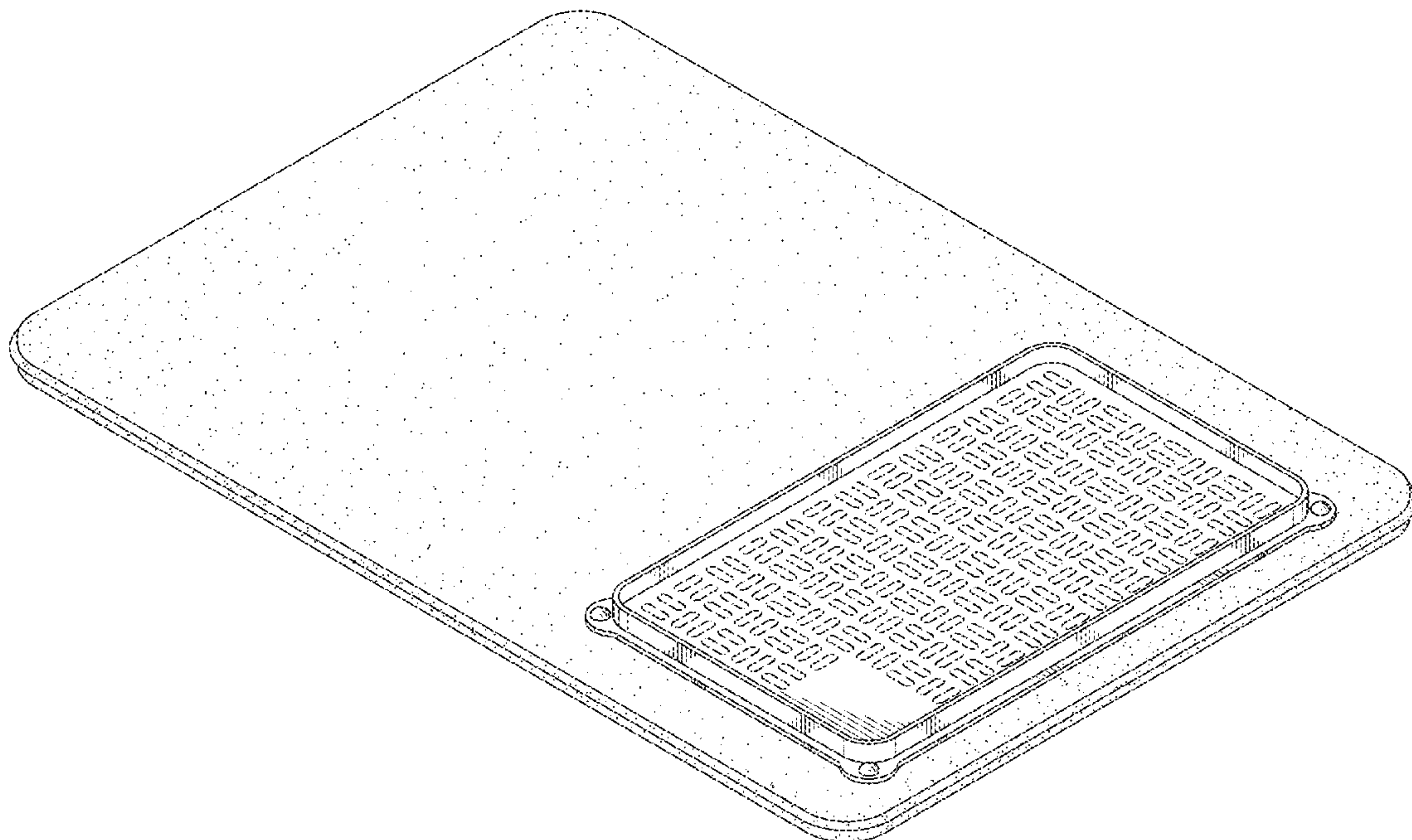
(57) **CLAIM**

The ornamental design for a drying mat and tray, as shown and described in the Figures.

DESCRIPTION

FIG. 1 is an isometric view of the drying mat and tray;
FIG. 2 is a top side view of the drying mat and tray;
FIG. 3 is a rear side view of the drying mat and tray;
FIG. 4 is a side view of the drying mat and tray;
FIG. 5 is a side view that is opposite the side view of FIG. 4 of the drying mat and tray;
FIG. 6 is a top side view of the drying mat and tray;
FIG. 7 is a bottom side view of the drying mat and tray; and,
FIG. 8 is an isometric view of the drying mat and tray with the tray being removed from the drying mat.

1 Claim, 6 Drawing Sheets



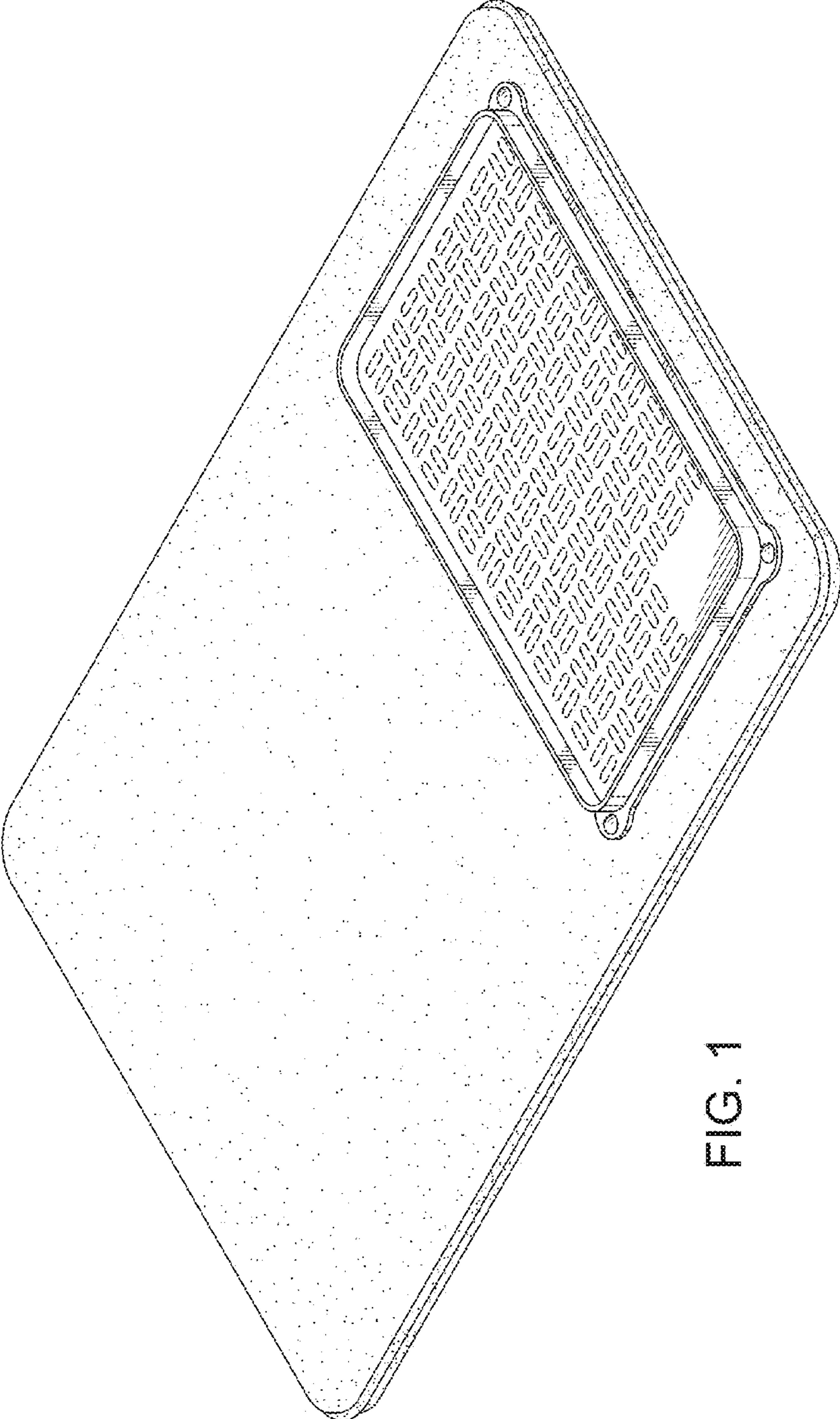


FIG. 1

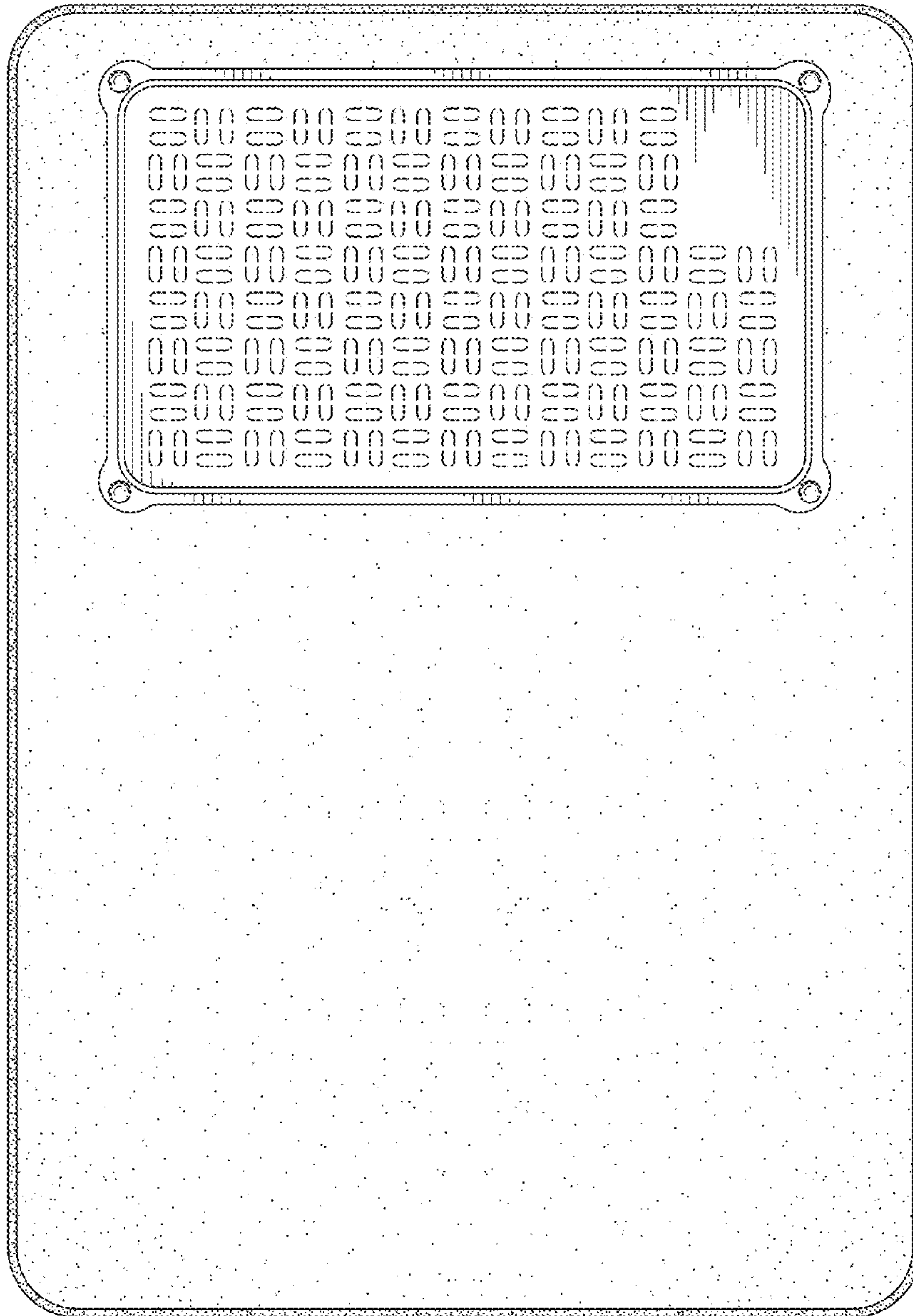


FIG. 2

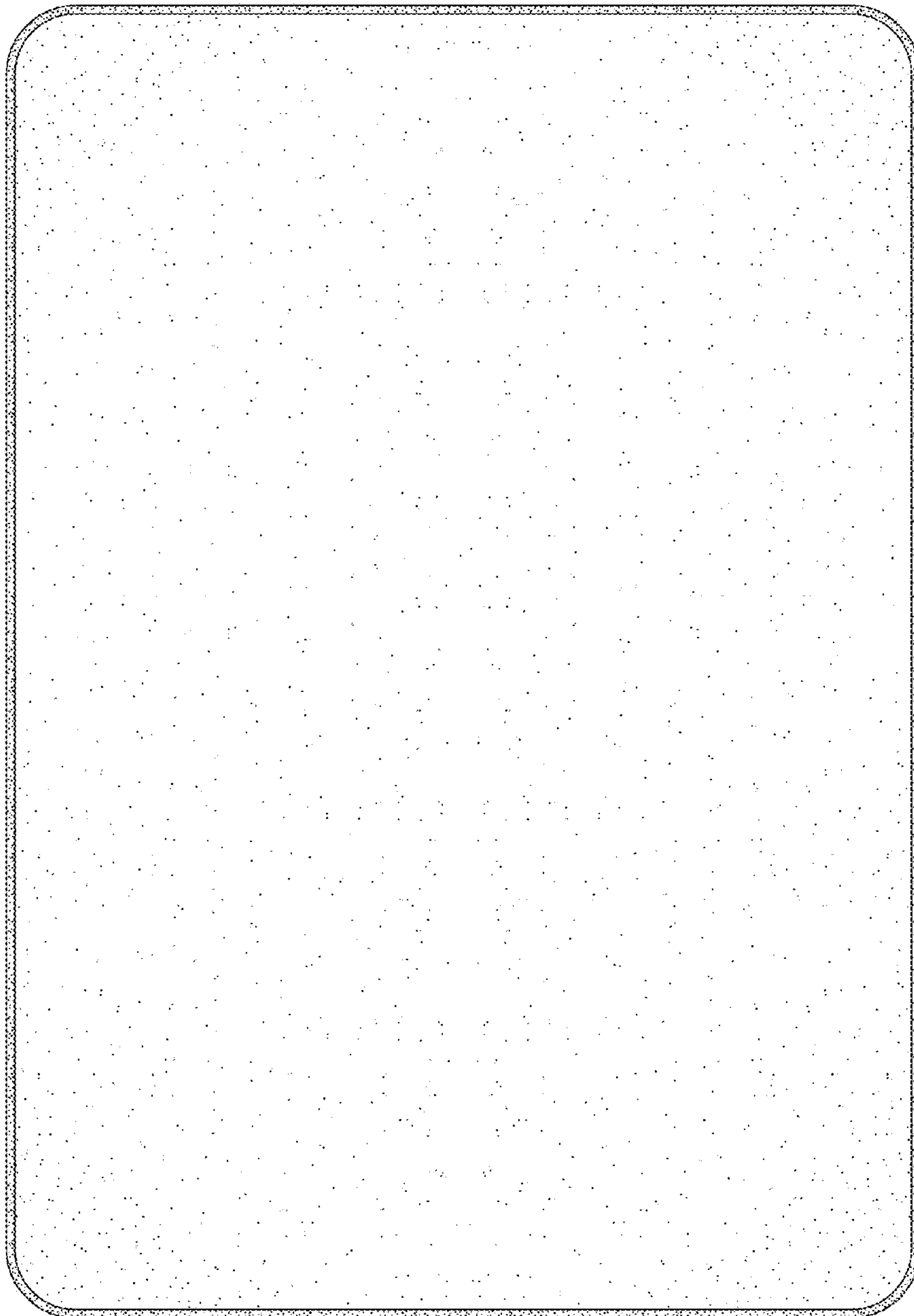


FIG. 3



FIG. 4



FIG. 5



FIG. 6

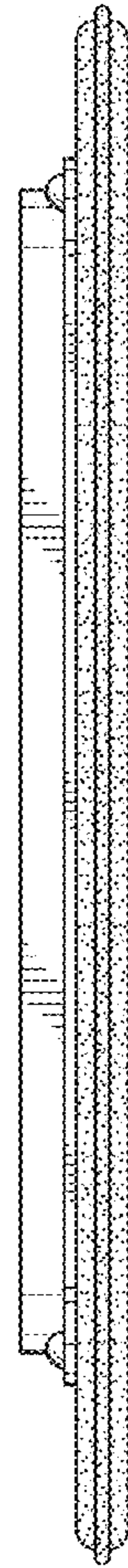


FIG. 7

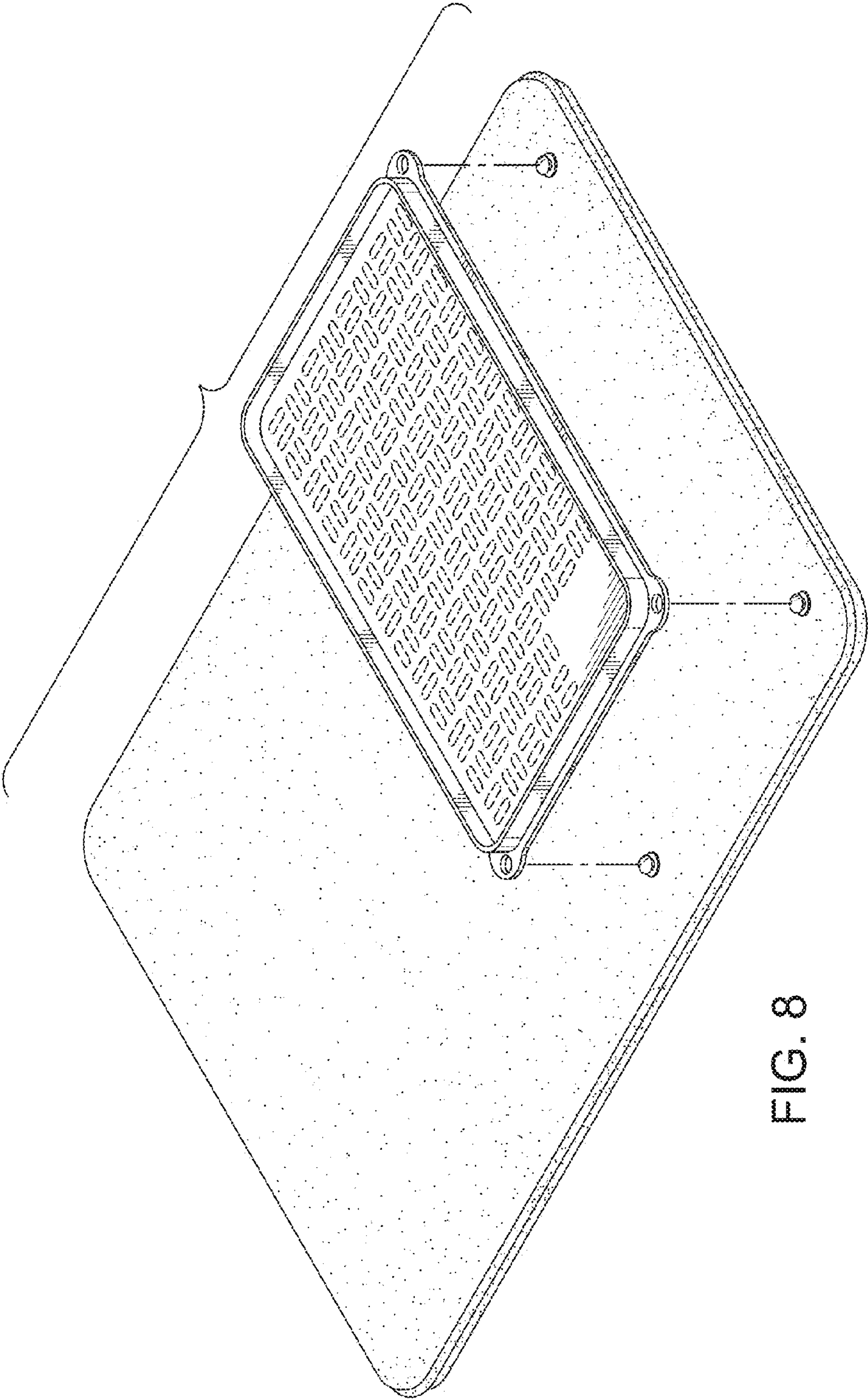


FIG. 8