



US00D770709S

(12) **United States Design Patent**
Ogg

(10) **Patent No.:** **US D770,709 S**

(45) **Date of Patent:** **** Nov. 1, 2016**

(54) **VACUUM CLEANER**

(71) Applicant: **LG ELECTRONICS INC.**, Seoul
(KR)

(72) Inventor: **Anthony Ogg**, Edgewater, NJ (US)

(73) Assignee: **LG ELECTRONICS INC.**, Seoul
(KR)

(**) Term: **14 Years**

(21) Appl. No.: **29/515,945**

(22) Filed: **Jan. 28, 2015**

(51) **LOC (10) Cl.** **15-05**

(52) **U.S. Cl.**
USPC **D32/22**

(58) **Field of Classification Search**
USPC D32/17-18, 21-24, 31, 34, 40, 42,
D32/49-52

CPC A47L 5/28; A47L 5/32; A47L 5/362;
A47L 5/365; A47L 5/24; A47L 5/34; A47L
7/0038; A47L 9/26; A47L 9/2857; A47L
9/20; A47L 9/02; A47L 9/322; A47L 9/325;
A47L 11/34; A47L 11/40; A47L 11/4044;
A47L 11/20; A47L 11/146

See application file for complete search history.

(56) **References Cited**

U.S. PATENT DOCUMENTS

D455,876 S * 4/2002 Arney D32/22
D462,813 S * 9/2002 Nakano D32/22

D510,465 S * 10/2005 Takahashi D32/22
D531,770 S * 11/2006 Luebbering D32/22
D610,317 S * 2/2010 Lee D32/22
D612,114 S * 3/2010 Ikeno D32/22
D652,589 S * 1/2012 Lee D32/22
D660,532 S * 5/2012 Kim D32/22
D670,878 S * 11/2012 Lee D32/22
D684,326 S * 6/2013 Okabe D32/22
D726,980 S * 4/2015 Kim D32/22
D730,001 S * 5/2015 Yun D32/22
D735,426 S * 7/2015 Yun D32/22
D740,503 S * 10/2015 Tyler D32/22
2009/0089969 A1 * 4/2009 Lee A47L 9/325
15/411

* cited by examiner

Primary Examiner — Ruth McInroy

(74) *Attorney, Agent, or Firm* — Birch, Stewart, Kolasch
& Birch, LLP

(57) **CLAIM**

I claim the ornamental design for a vacuum cleaner, as shown and described.

DESCRIPTION

FIG. 1 is a perspective view of a vacuum cleaner showing my new design;

FIG. 2 is a front elevation view thereof;

FIG. 3 is a rear elevation view thereof;

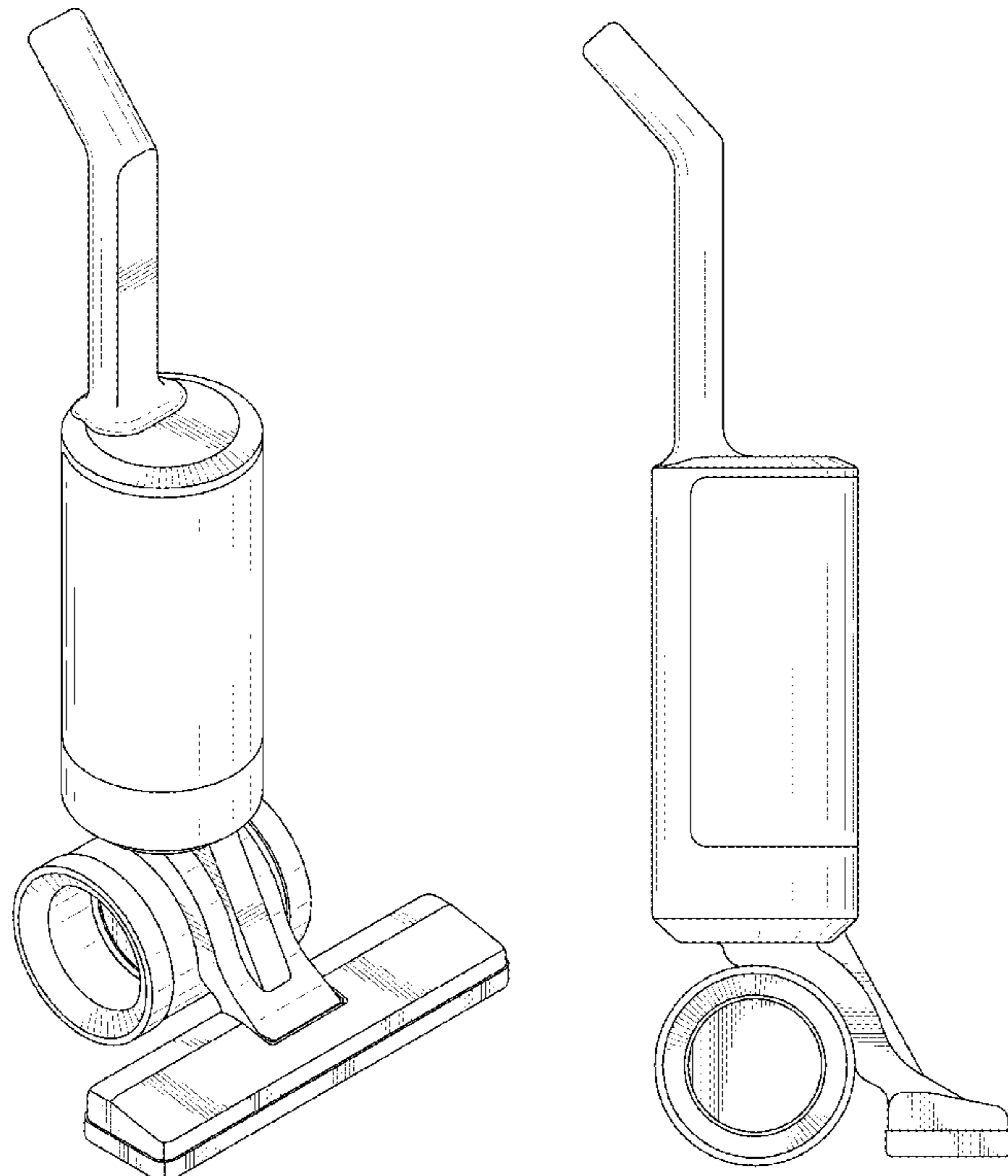
FIG. 4 is a left-side elevation view thereof;

FIG. 5 is a right-side elevation view thereof;

FIG. 6 is a top plan view thereof; and,

FIG. 7 is a bottom plan view thereof.

1 Claim, 6 Drawing Sheets



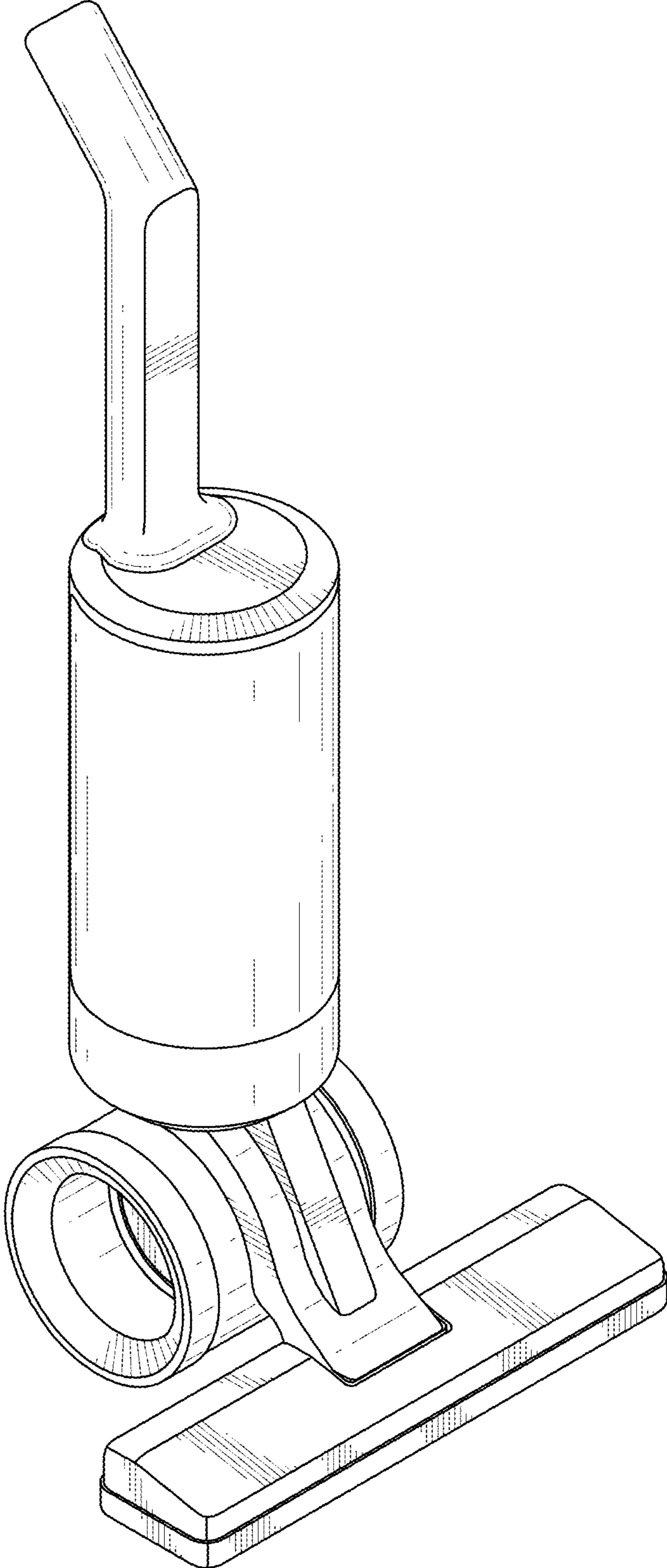


FIG.1

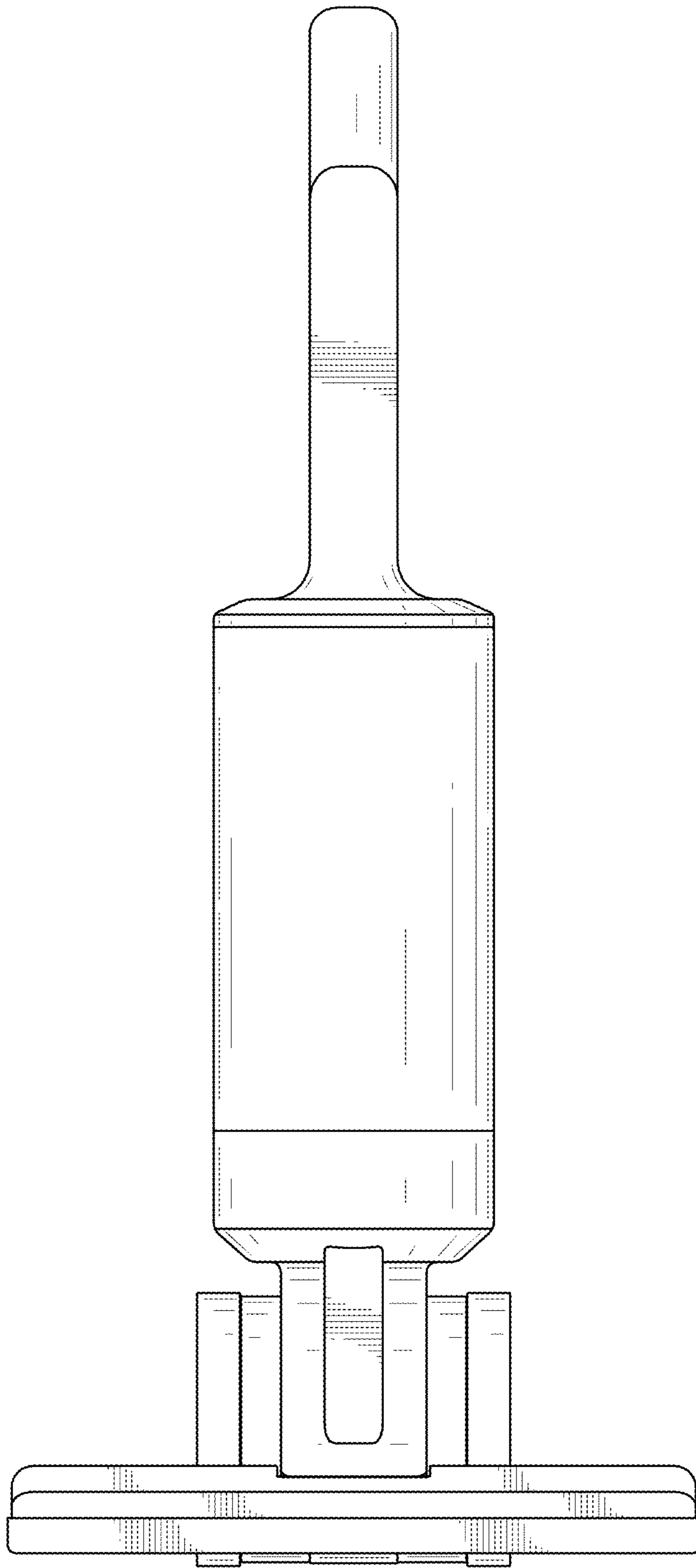


FIG.2

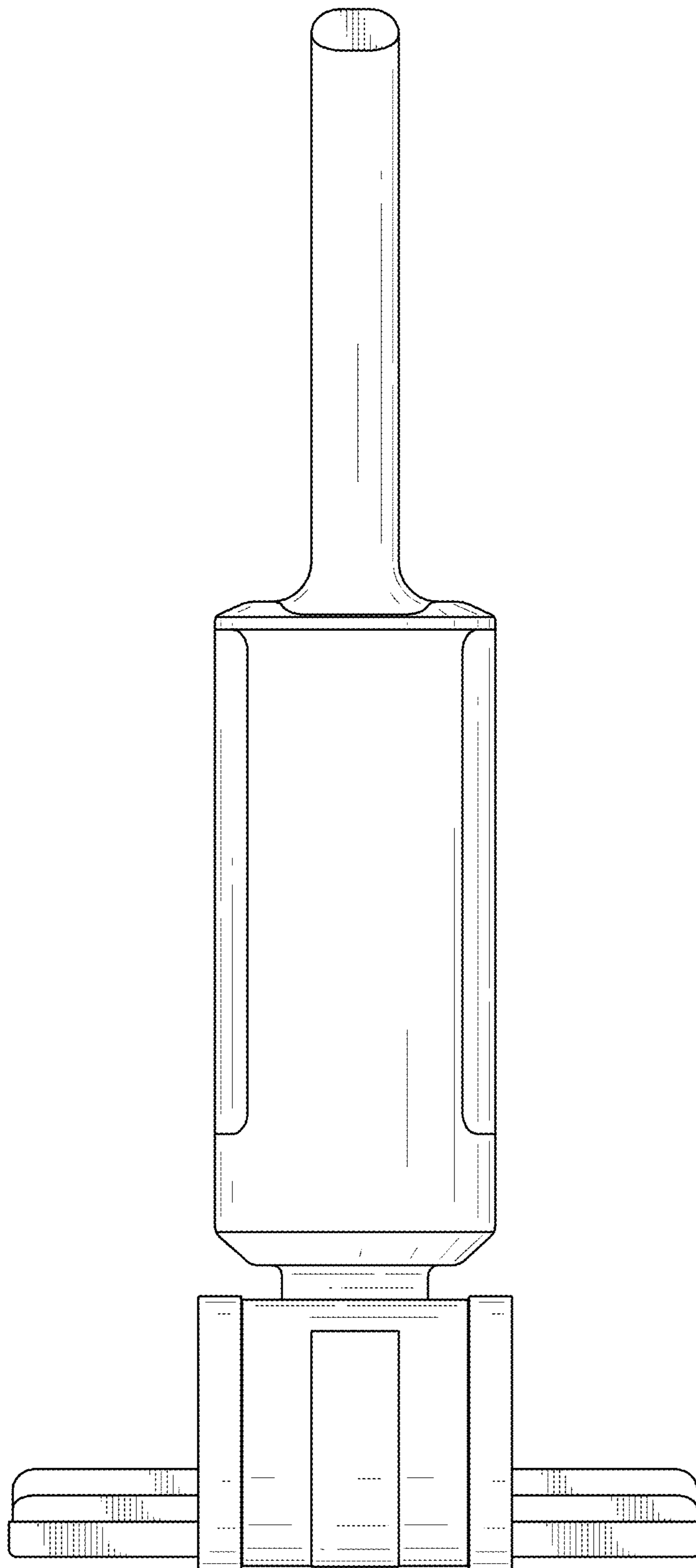


FIG.3

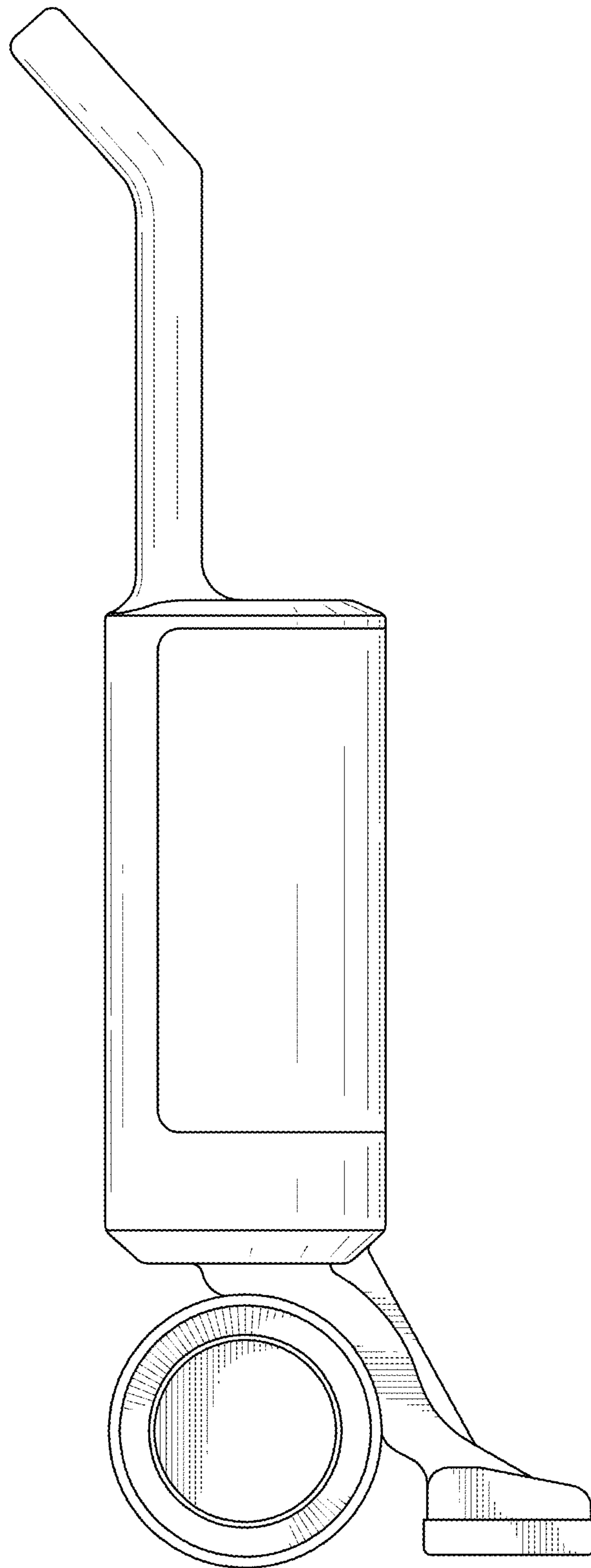


FIG.4

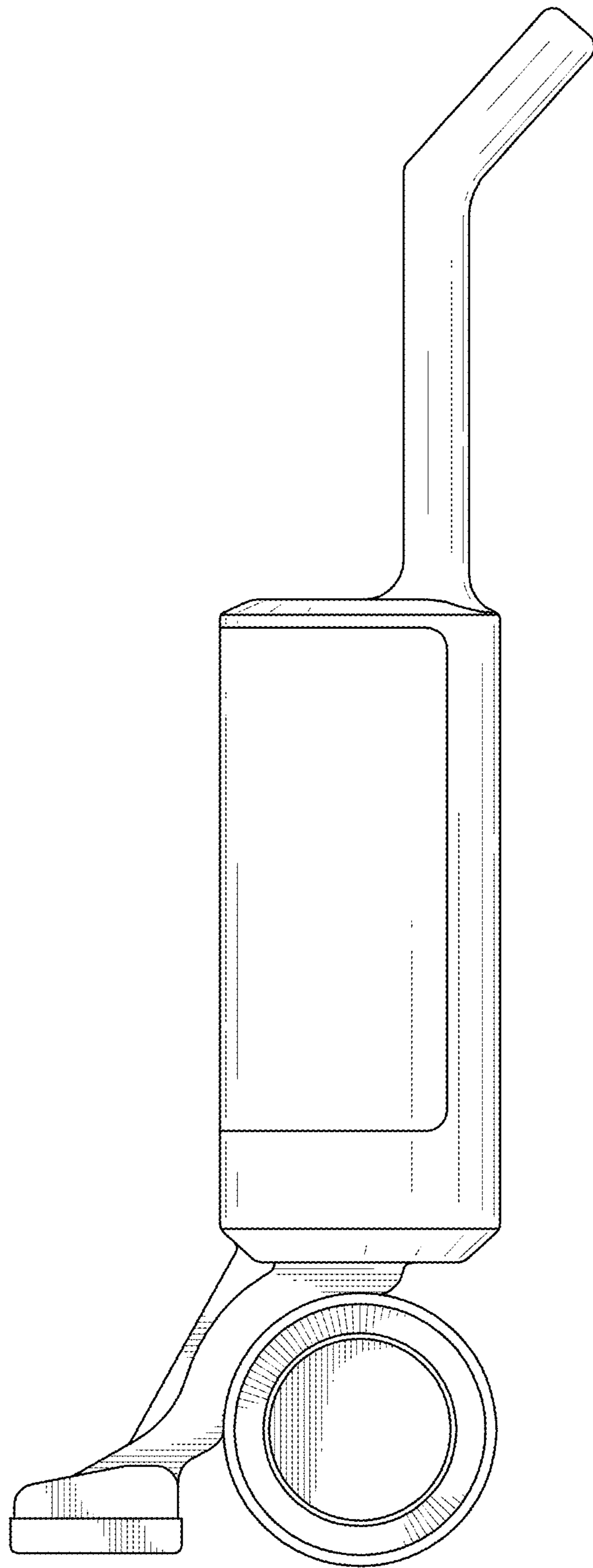


FIG.5

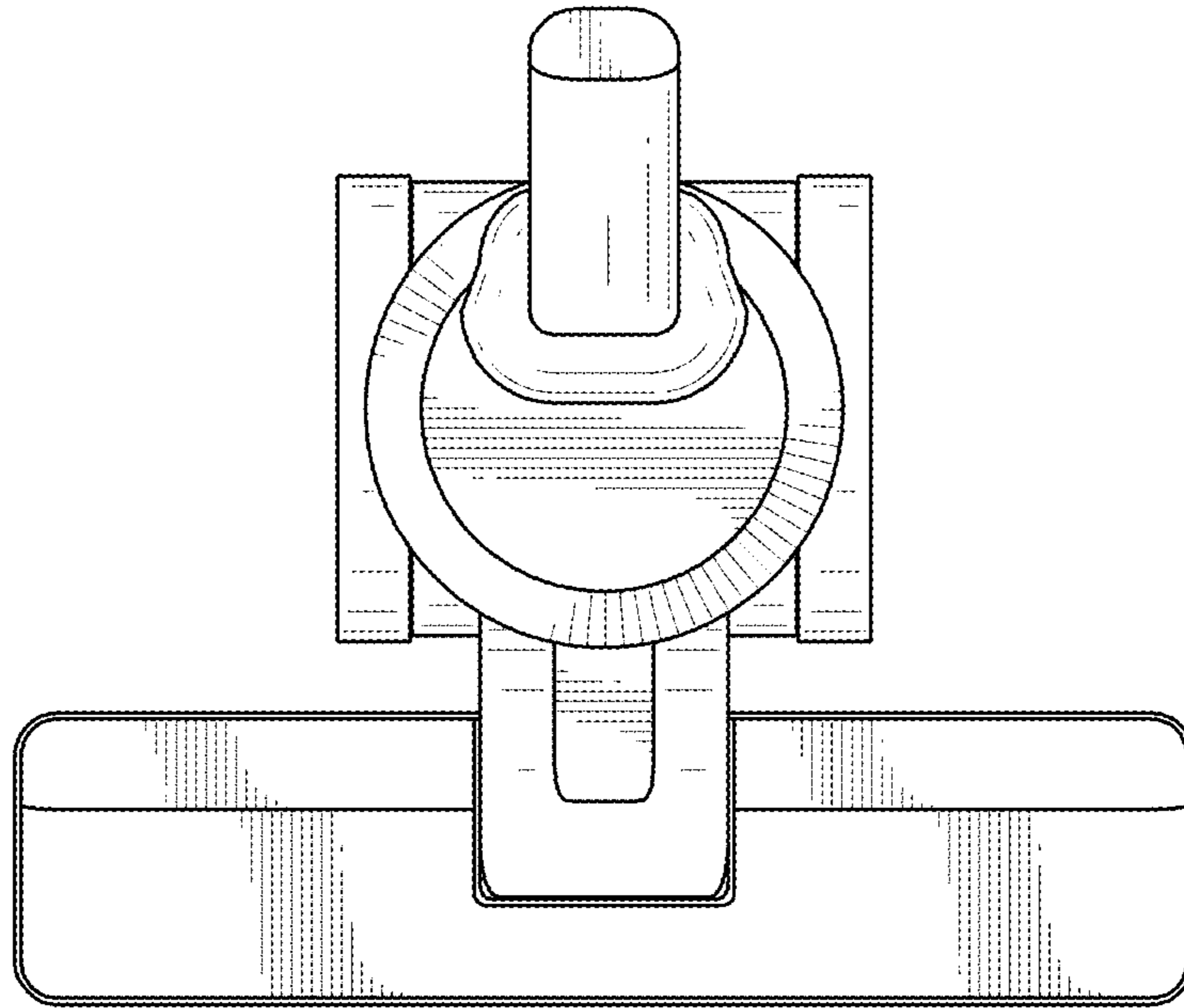


FIG. 6

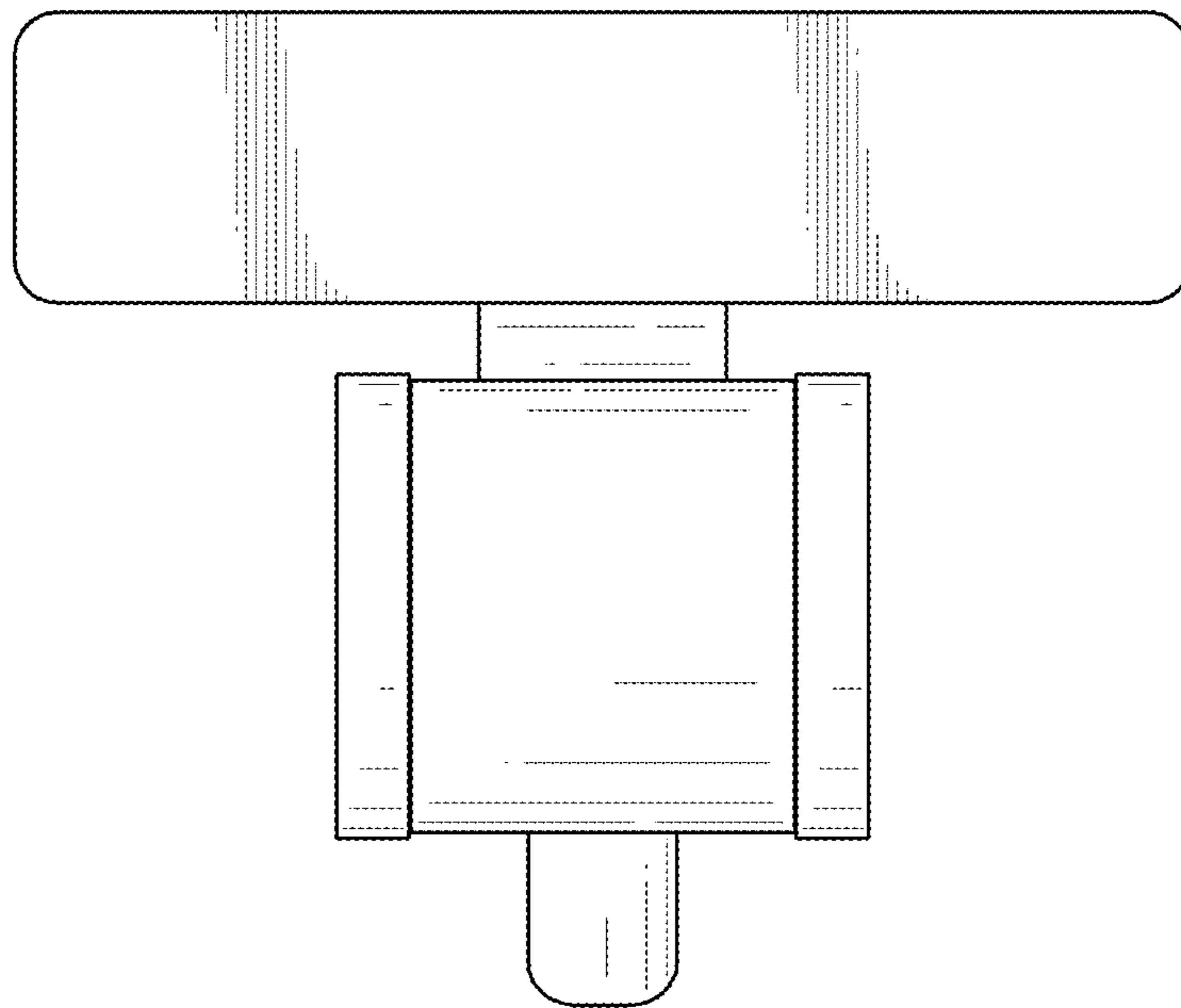


FIG. 7