



US00D770707S

(12) **United States Design Patent** (10) **Patent No.:** **US D770,707 S**
Ha et al. (45) **Date of Patent:** **** Nov. 1, 2016**

(54) **WASHING MACHINE**

(71) Applicant: **LG ELECTRONICS INC.**, Seoul (KR)

(72) Inventors: **Youngsoo Ha**, Seoul (KR); **Taewoo Yoo**, Seoul (KR); **Jonghee Han**, Seoul (KR); **Eunyoung Chee**, Seoul (KR); **Seungho Oh**, Seoul (KR); **Jeaseok Seong**, Seoul (KR)

(73) Assignee: **LG ELECTRONICS INC.**, Seoul (KR)

(**) Term: **15 Years**

(21) Appl. No.: **29/537,341**

(22) Filed: **Aug. 25, 2015**

(30) **Foreign Application Priority Data**

Mar. 4, 2015 (KR) 30-2015-0011078

(51) **LOC (10) Cl.** **15-05**

(52) **U.S. Cl.**
USPC **D32/6**

(58) **Field of Classification Search**
USPC D32/1, 5-6, 8, 25, 28, 29, 67
CPC .. D06F 33/02; D06F 39/02; D06F 2204/065;
D06F 25/00; D06F 35/006
See application file for complete search history.

(56) **References Cited**

U.S. PATENT DOCUMENTS

D177,010 S * 3/1956 Boldt D32/6
D236,152 S * 7/1975 Yamamoto D32/8
D536,145 S * 1/2007 Lee D32/6
D556,956 S * 12/2007 Kim D32/6
D575,913 S * 8/2008 Jeon D32/6
D588,312 S * 3/2009 Lee D32/8

D589,216 S * 3/2009 Park D32/6
D747,836 S * 1/2016 Cho D32/6
D750,857 S * 3/2016 Cho D32/25
D759,909 S * 6/2016 Kim D32/6
2003/0230017 A1* 12/2003 Geyer G09F 13/04
40/544
2011/0023559 A1* 2/2011 Schone D06F 37/10
68/212

OTHER PUBLICATIONS

U.S. Appl. No. 29/560,365, filed Apr. 6, 2016.
U.S. Appl. No. 29/537,483, filed Aug. 25, 2015.
U.S. Appl. No. 29/560,372, filed Apr. 6, 2016.
U.S. Appl. No. 29/537,704, filed Aug. 28, 2015.
U.S. Notice of Allowance dated Aug. 12, 2016 issued in U.S. Appl. No. 29/537,483.

* cited by examiner

Primary Examiner — T. Chase Nelson
Assistant Examiner — Michelle E Wilson
(74) *Attorney, Agent, or Firm* — KED & Associates, LLP

(57) **CLAIM**

We claim the ornamental design for a washing machine, as shown and described.

DESCRIPTION

FIG 1 is a perspective view of a washing machine showing our new design;
FIG. 2 is a front elevation view thereof;
FIG. 3 is a rear elevation view thereof;
FIG. 4 is a left-side elevation view thereof;
FIG. 5 is a right-side elevation view thereof;
FIG. 6 is a top plan view thereof; and,
FIG. 7 is a bottom plan view thereof.
The broken lines in the drawing figures are included to show unclaimed portions only and form no part of the claimed design.

1 Claim, 4 Drawing Sheets

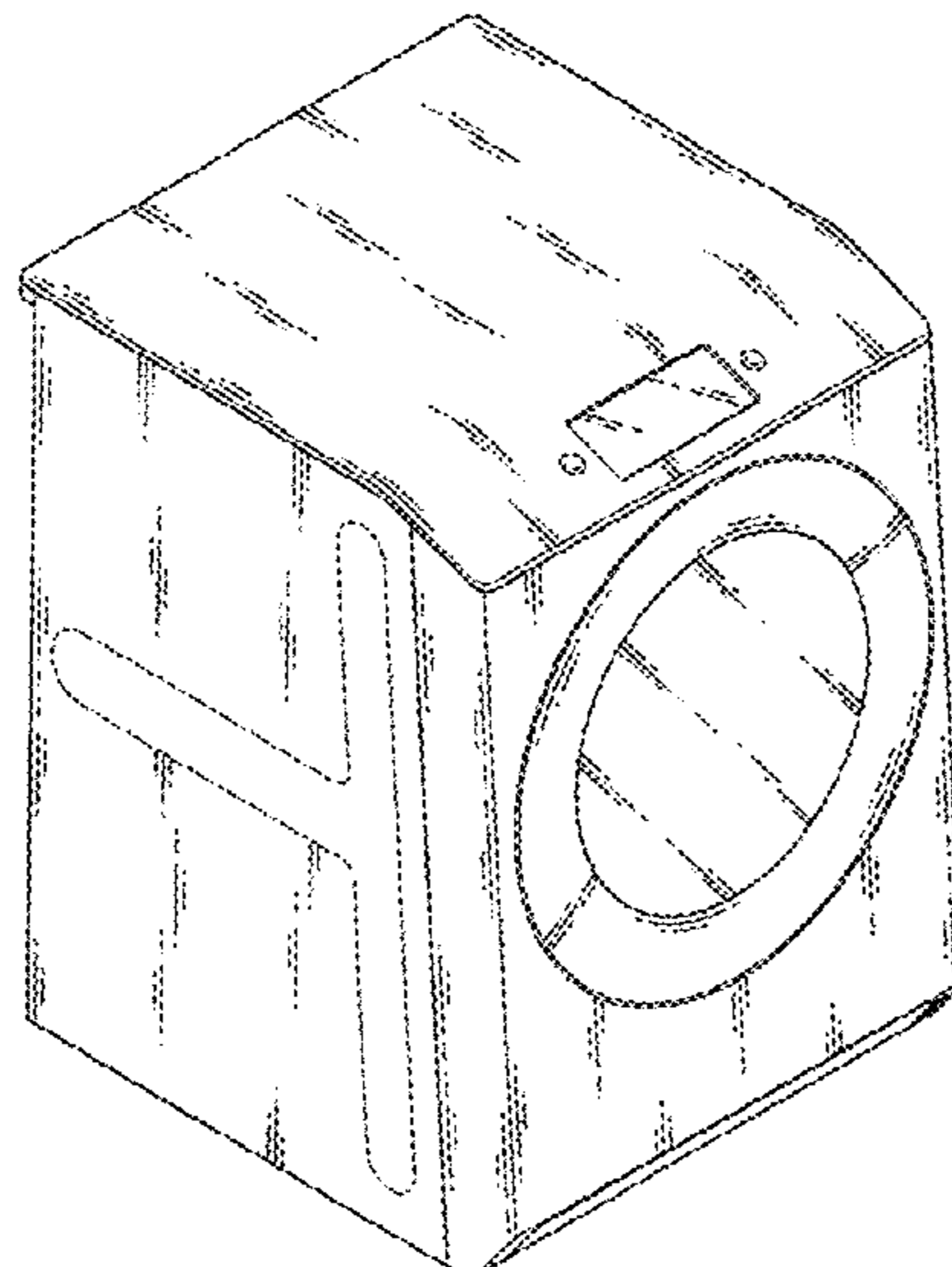


FIG. 1

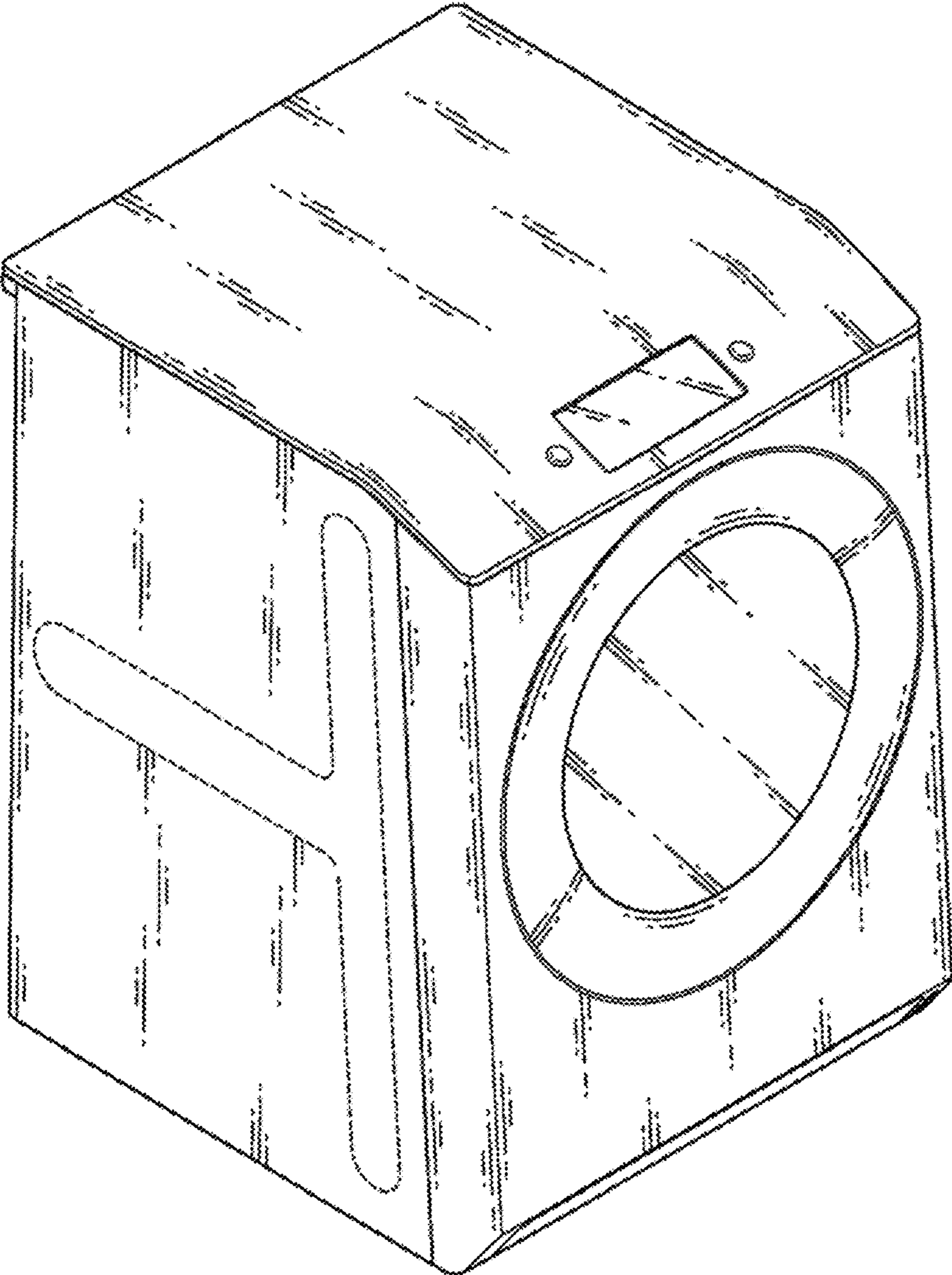


FIG. 2

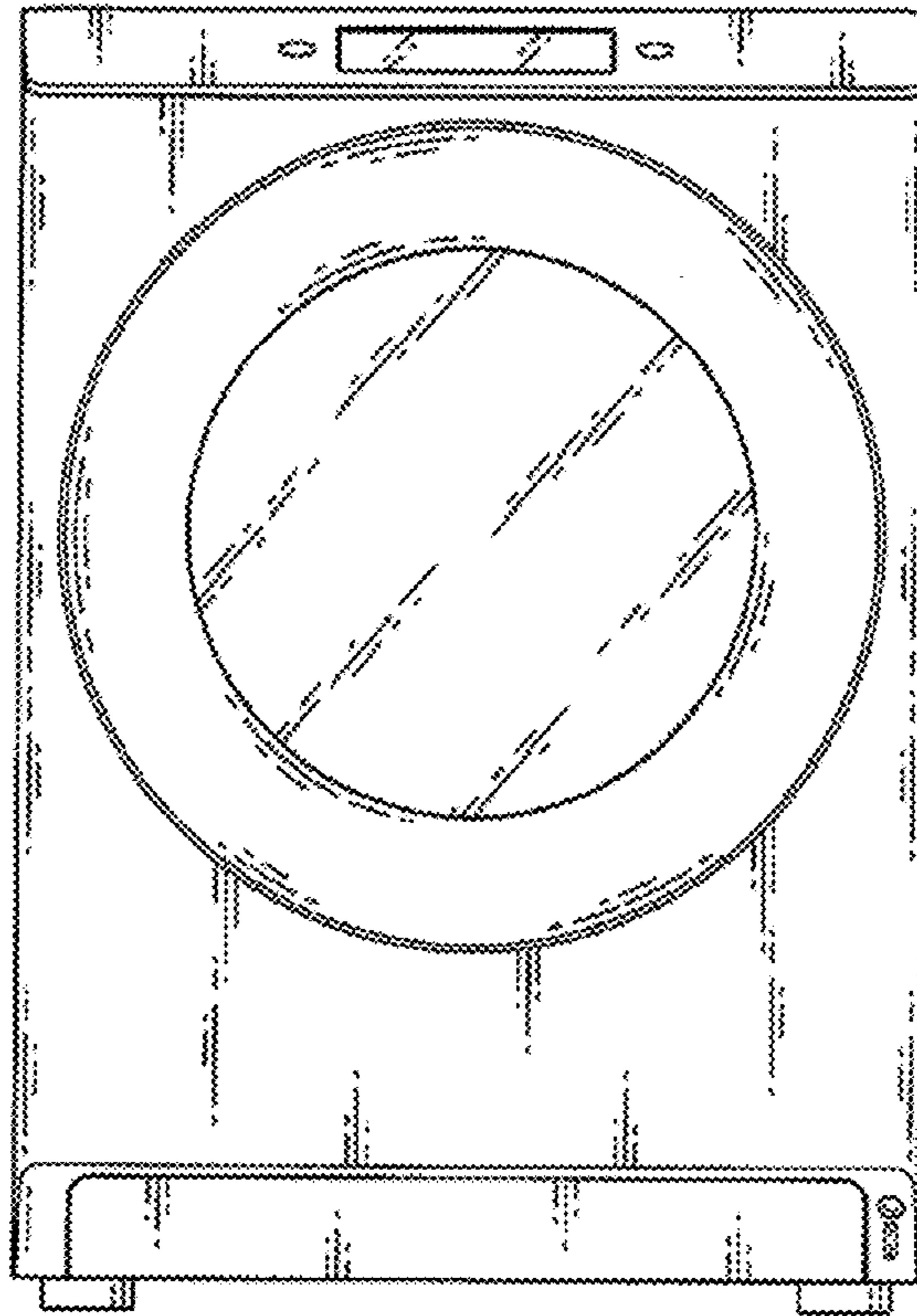


FIG. 3

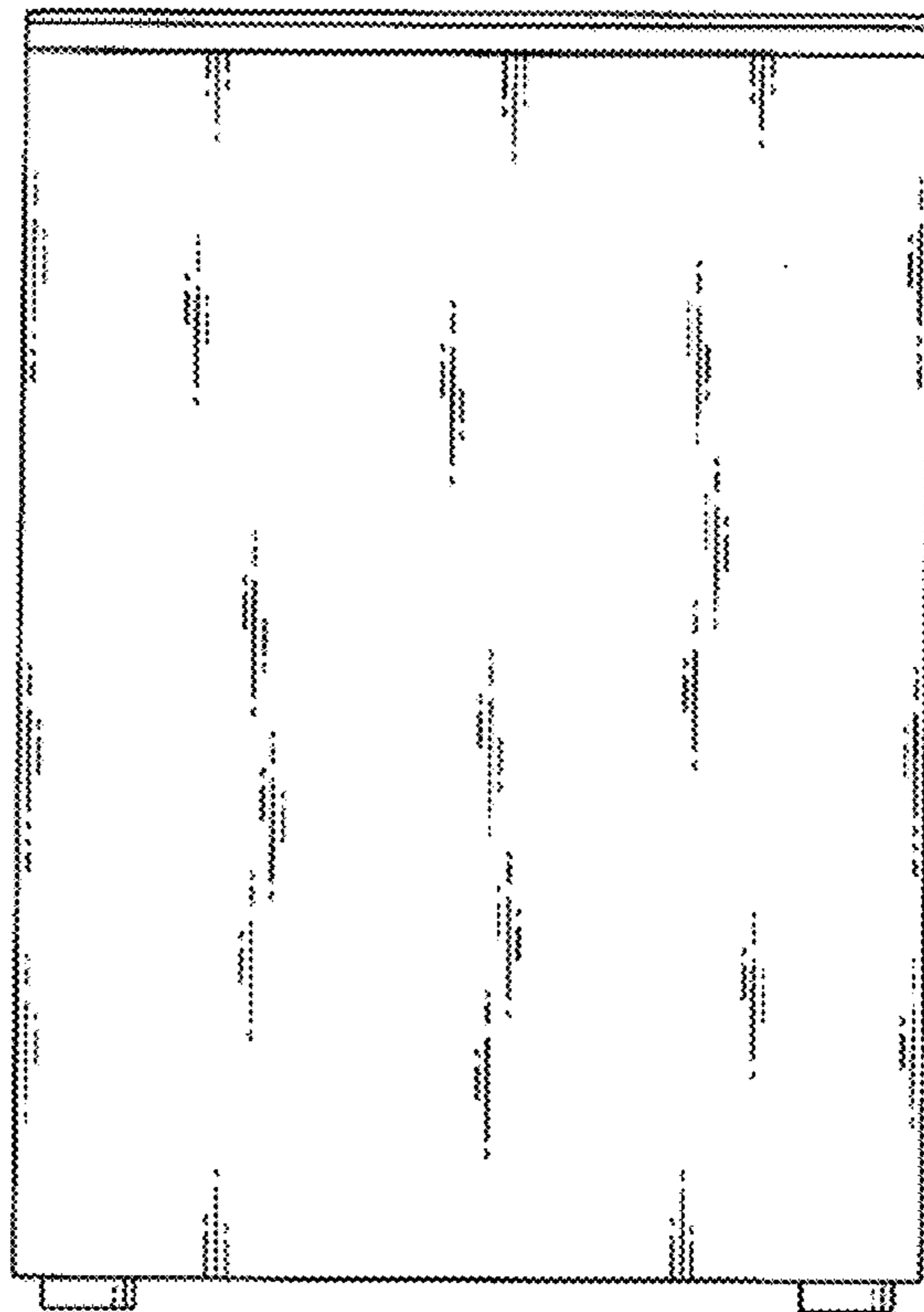


FIG. 4

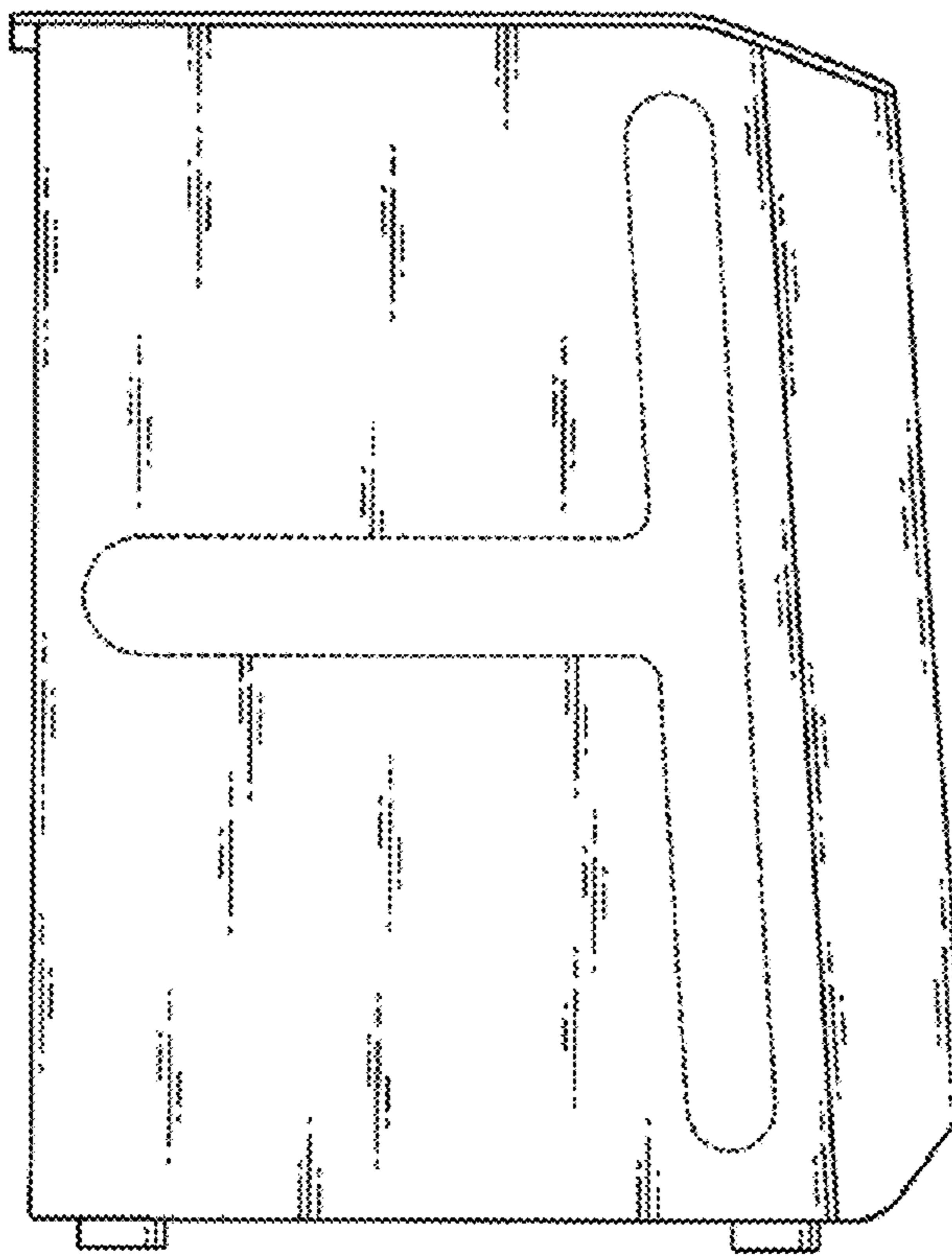


FIG. 5

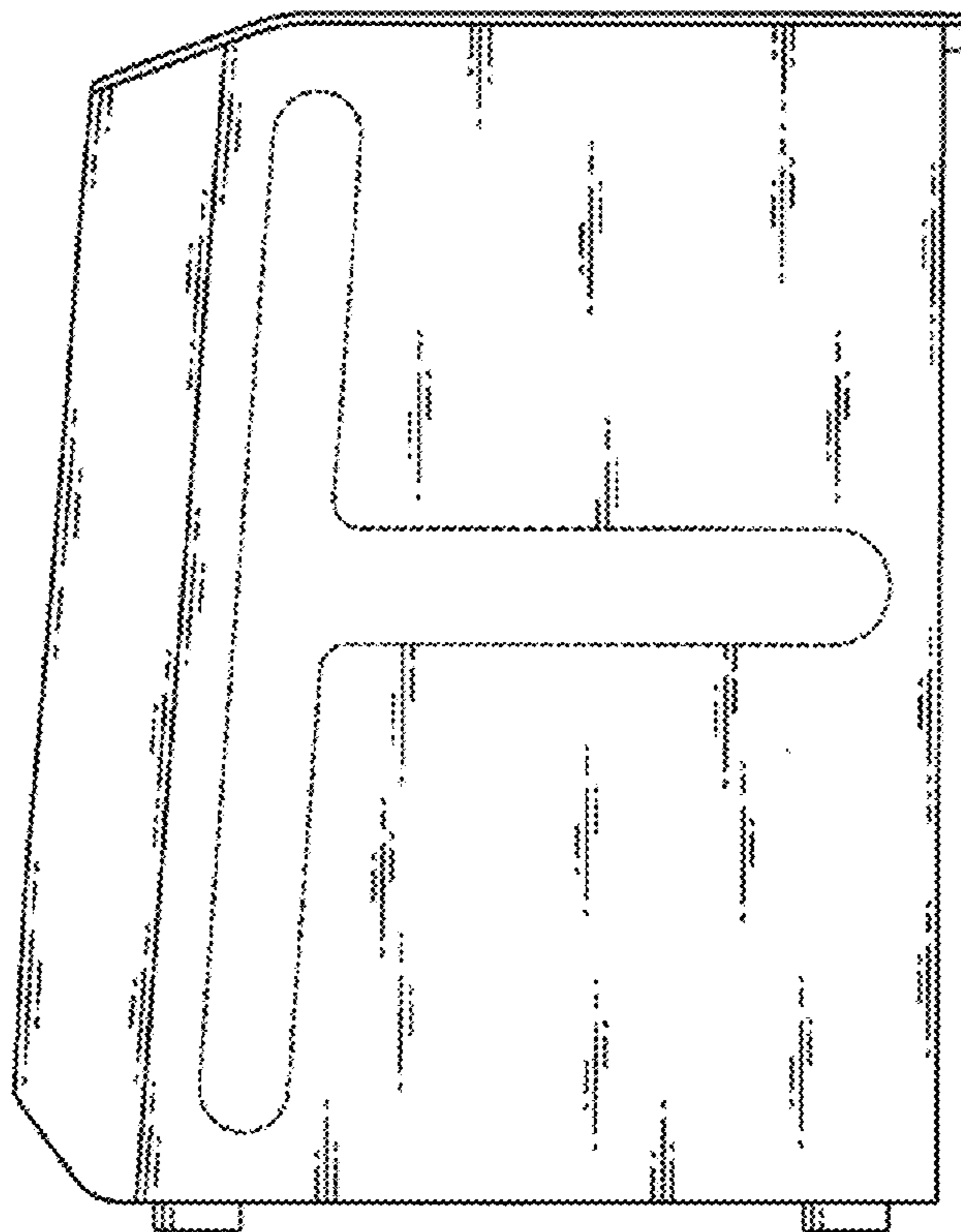


FIG. 6

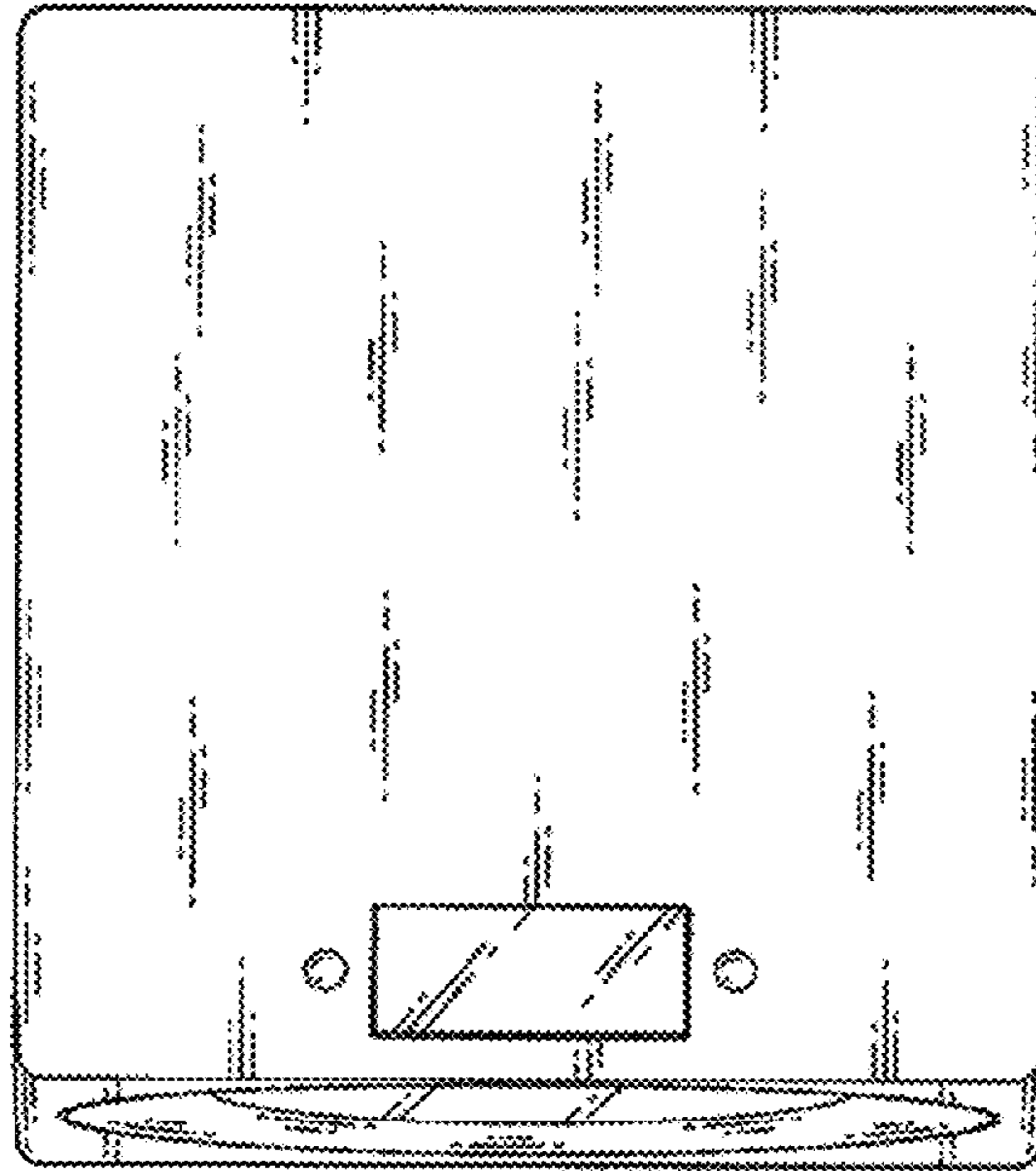


FIG. 7

