



US00D770705S

(12) **United States Design Patent** (10) **Patent No.:** **US D770,705 S**  
**Kang et al.** (45) **Date of Patent:** **\*\* Nov. 1, 2016**

(54) **WASHING MACHINE**

D625,476 S \* 10/2010 Lee ..... D32/6  
D625,889 S \* 10/2010 Lee ..... D32/6  
D627,115 S \* 11/2010 Jeon ..... D32/6

(71) Applicant: **Samsung Electronics Co., Ltd.**,  
Suwon-si (KR)

(Continued)

(72) Inventors: **Yoon Jong Kang**, Seoul (KR); **Kisang Yoon**, Daejeon (KR); **Jaewon Choi**, Seoul (KR); **Deoksang Yun**, Uiwang-si (KR); **Sanghun Yoon**, Seoul (KR); **Junghoon Hwang**, Yongin-si (KR); **Seyoun Park**, Seoul (KR)

FOREIGN PATENT DOCUMENTS

EM 000399282-0003 11/2005  
EM 001085591-0001 2/2009

(73) Assignee: **Samsung Electronics Co., Ltd.**,  
Suwon-si (KR)

OTHER PUBLICATIONS

Danawa. "Samsung bubbles shot 3 WD21H9600KG". [2014] prod. danawa.com. <<http://prod.danawa.com/info/?pcode=25313688&relationMenuType=koost>>.

(Continued)

(\*\*) Term: **15 Years**

*Primary Examiner* — T. Chase Nelson  
*Assistant Examiner* — Michelle E Wilson  
(74) *Attorney, Agent, or Firm* — NSIP Law

(21) Appl. No.: **29/537,021**

(22) Filed: **Aug. 21, 2015**

(57) **CLAIM**

We claim the ornamental design for a washing machine, as shown and described.

(30) **Foreign Application Priority Data**

Jul. 16, 2015 (KR) ..... 30-2015-0035841

**DESCRIPTION**

(51) **LOC (10) Cl.** ..... **15-05**

(52) **U.S. Cl.**  
USPC ..... **D32/6**

(58) **Field of Classification Search**  
USPC ..... D32/1, 5, 6, 8, 12, 25, 28, 29  
CPC .. D06F 33/02; D06F 39/02; D06F 2204/065;  
D06F 25/00; D06F 35/006; D06F 58/00;  
D06F 58/02; D06F 58/04; D06F 58/20;  
D06F 23/04; G05B 19/042  
See application file for complete search history.

FIG. 1 is a front perspective view of a washing machine showing our new design;  
FIG. 2 is a front view thereof;  
FIG. 3 is a rear view thereof;  
FIG. 4 is a left-side view thereof;  
FIG. 5 is a right-side view thereof;  
FIG. 6 is a top view thereof;  
FIG. 7 is a bottom view thereof; and,  
FIG. 8 is an enlarged view of the encircled portion shown in FIG. 4.

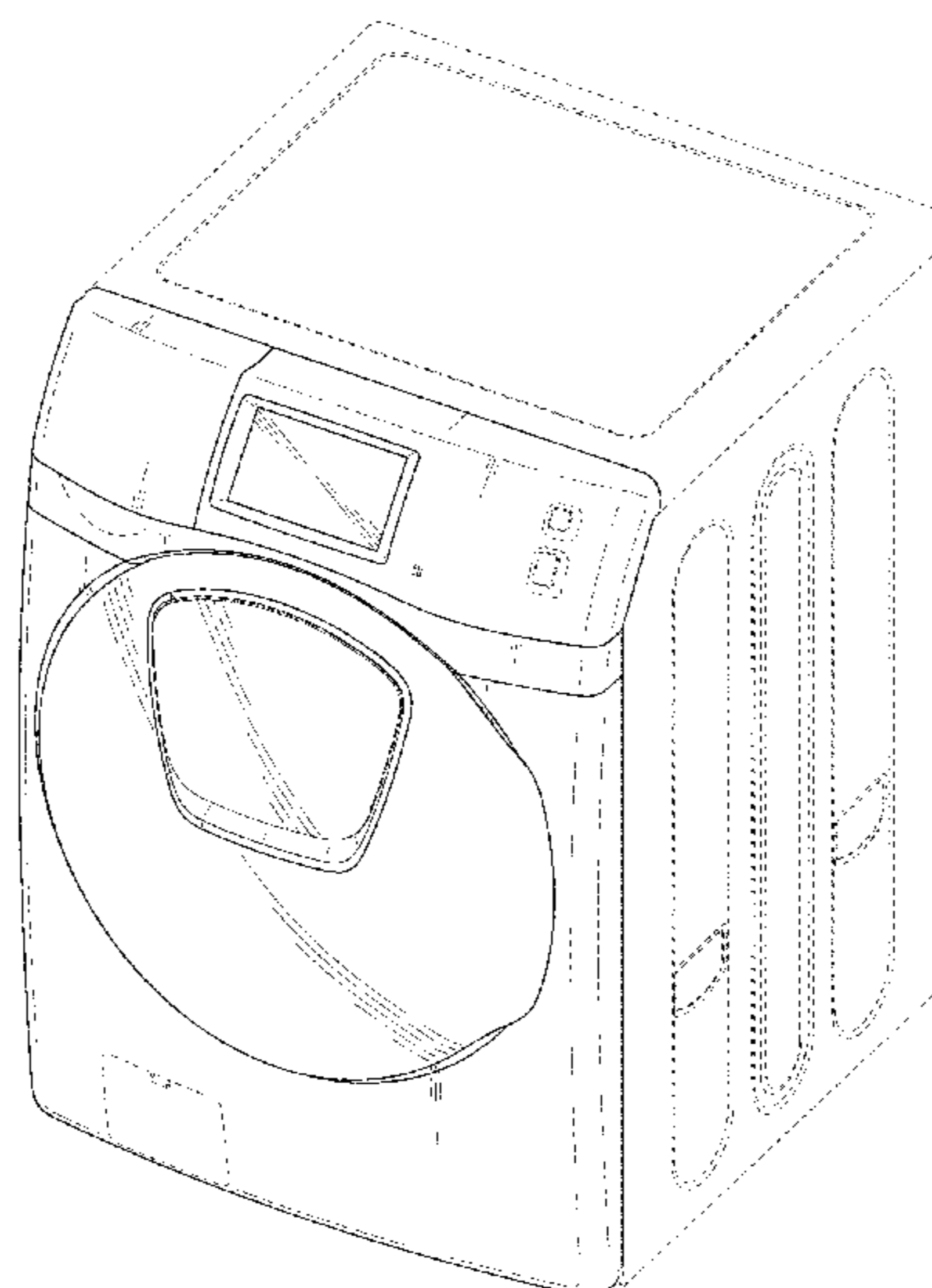
The short dash-dash broken line in the figures shows unclaimed portions of the washing machine and the dot-dot-dash broken line encircling portions of the claimed design in FIGS. 4 and 8 is for illustrating enlargements; the broken lines form no part of the claimed design.

(56) **References Cited**

U.S. PATENT DOCUMENTS

5,687,590 A \* 11/1997 Borroni ..... D06F 9/028  
68/17 R  
D495,775 S \* 9/2004 Sagawa ..... D32/5  
D618,864 S \* 6/2010 Jeon ..... D32/6

**1 Claim, 8 Drawing Sheets**



(56)

References Cited

U.S. PATENT DOCUMENTS

D631,623 S \* 1/2011 Chung ..... D32/6  
 D631,624 S \* 1/2011 Chung ..... D32/6  
 D634,492 S \* 3/2011 Chung ..... D32/6  
 D635,313 S \* 3/2011 Jeon ..... D32/6  
 D636,953 S \* 4/2011 Lee ..... D32/6  
 D659,307 S \* 5/2012 Geyer ..... D32/6  
 D665,543 S \* 8/2012 Kim ..... D32/6  
 D675,793 S \* 2/2013 Geyer ..... D32/6  
 D688,013 S \* 8/2013 Kim ..... D32/6  
 8,516,860 B2 \* 8/2013 Persson ..... 68/19  
 D690,061 S \* 9/2013 Kim ..... D32/6  
 D693,973 S \* 11/2013 Geyer ..... D32/6  
 D694,966 S \* 12/2013 Borjesson ..... D32/6  
 D697,678 S \* 1/2014 Jeon ..... D32/6  
 D700,409 S \* 2/2014 Takahashi ..... D32/25  
 8,713,976 B2 \* 5/2014 Hoppe ..... 68/12.04  
 D706,999 S \* 6/2014 Cho ..... D32/6  
 D708,799 S \* 7/2014 Choi ..... D32/6  
 D708,800 S \* 7/2014 Choi ..... D32/6  
 D714,502 S \* 9/2014 Jeon ..... D32/25  
 D729,996 S \* 5/2015 Hwang ..... D32/6  
 D729,997 S \* 5/2015 Hwang ..... D32/6  
 D730,596 S \* 5/2015 Kim ..... D32/6  
 D730,601 S \* 5/2015 Jinnam ..... D32/25  
 D730,602 S \* 5/2015 Choi ..... D32/25  
 D731,126 S \* 6/2015 Ha ..... D32/6

D731,127 S \* 6/2015 Ha ..... D32/6  
 D731,128 S \* 6/2015 Ha ..... D32/6  
 D731,129 S \* 6/2015 Ha ..... D32/6  
 D731,131 S \* 6/2015 Ha ..... D32/25  
 D732,250 S \* 6/2015 Borjesson ..... D32/6  
 D732,763 S \* 6/2015 Hwang ..... D32/6  
 D732,767 S \* 6/2015 Ha ..... D32/25  
 D732,768 S \* 6/2015 Choi ..... D32/25  
 D733,371 S \* 6/2015 Chung ..... D32/6  
 D747,575 S \* 1/2016 Choi ..... D32/28  
 D749,804 S \* 2/2016 Ha ..... D32/6  
 D749,806 S \* 2/2016 Hwang ..... D32/25  
 D758,681 S \* 6/2016 Park ..... D32/25  
 D758,682 S \* 6/2016 Kim ..... D32/25

OTHER PUBLICATIONS

Jeongdonghyeon press. "Samsung's new washing machine 'bubble shot 2015' 17kg". [2015]www.beginningnews.co.kr. Feb. 3, 2015. <<http://www.beginningnews.co.kr/news/articleView.html?idxno=210>>.  
 BestBuyer. "Samsung washing machine Oberhausen WF155AVYKWR". [2012] www.bb.co.kr. <<http://www.bb.co.kr/model/3015792>>.  
 Whirlpool. "Explore 1055 LCS (5.5KG)". [2014] www.whirlpoolindia.com. <[http://www.whirlpoolindia.com/washing-machines/fully-automatic-front-load/explore-1055-lcs-5\\_5kg](http://www.whirlpoolindia.com/washing-machines/fully-automatic-front-load/explore-1055-lcs-5_5kg)>.

\* cited by examiner

FIG. 1

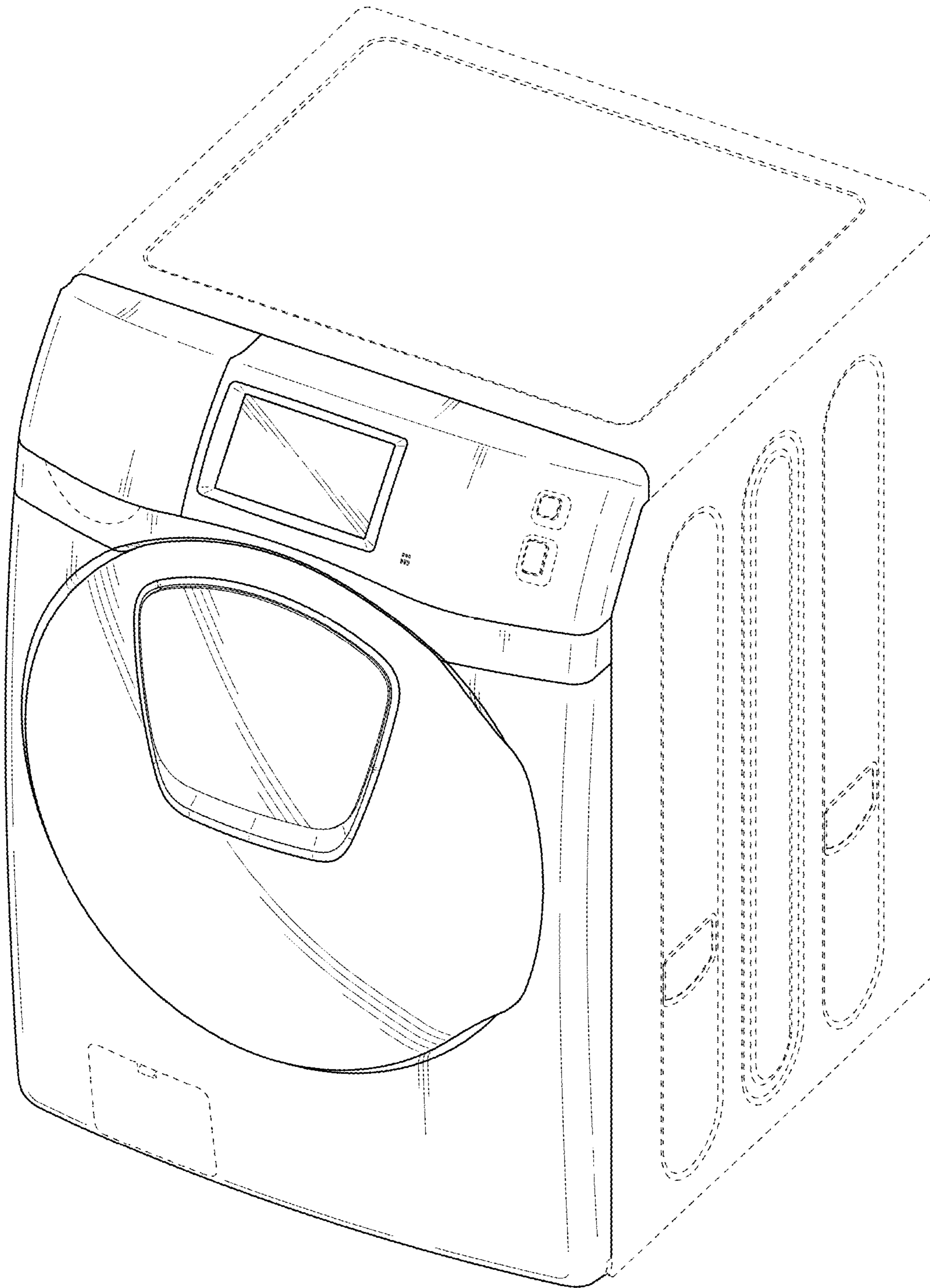


FIG. 2

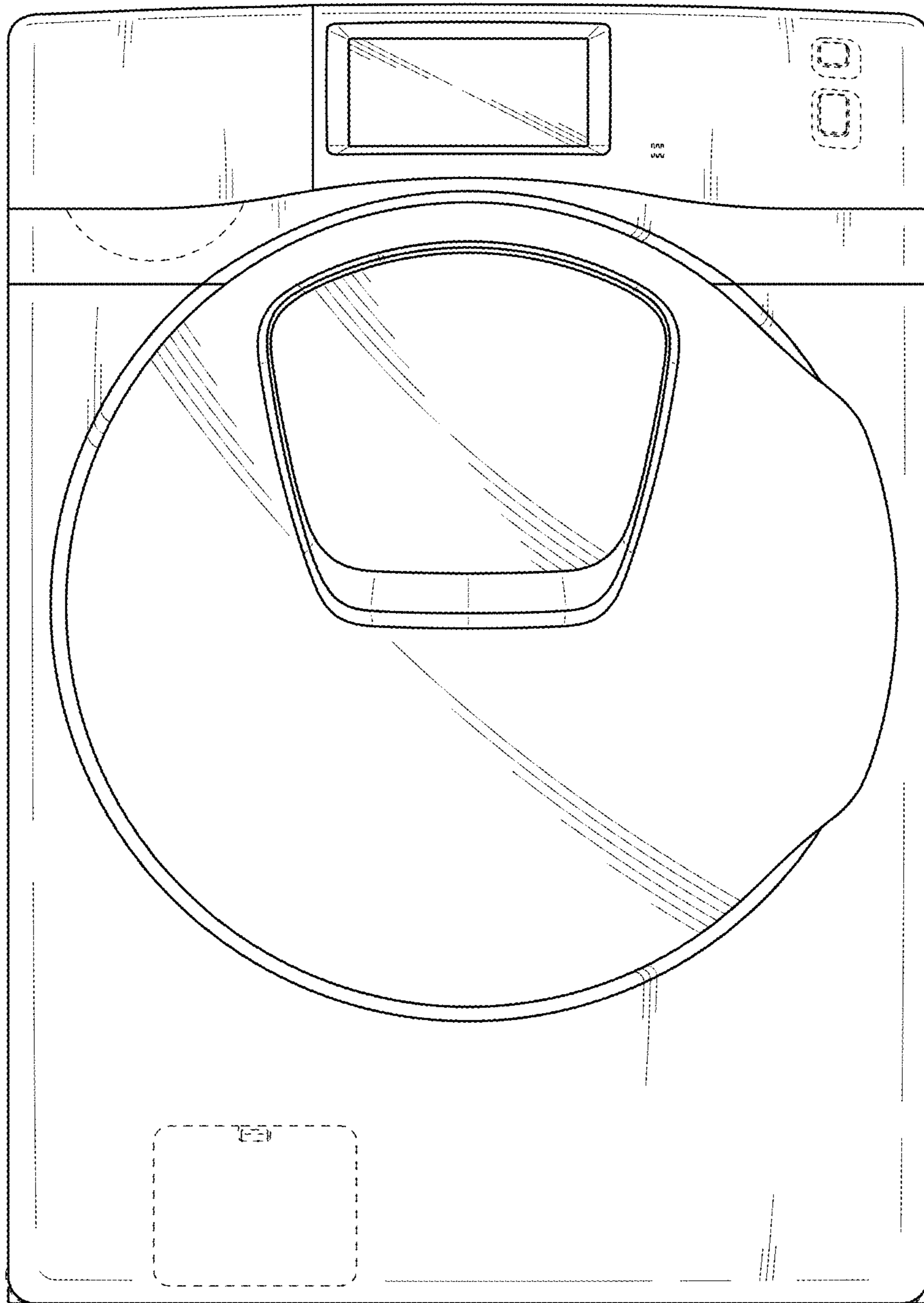


FIG. 3

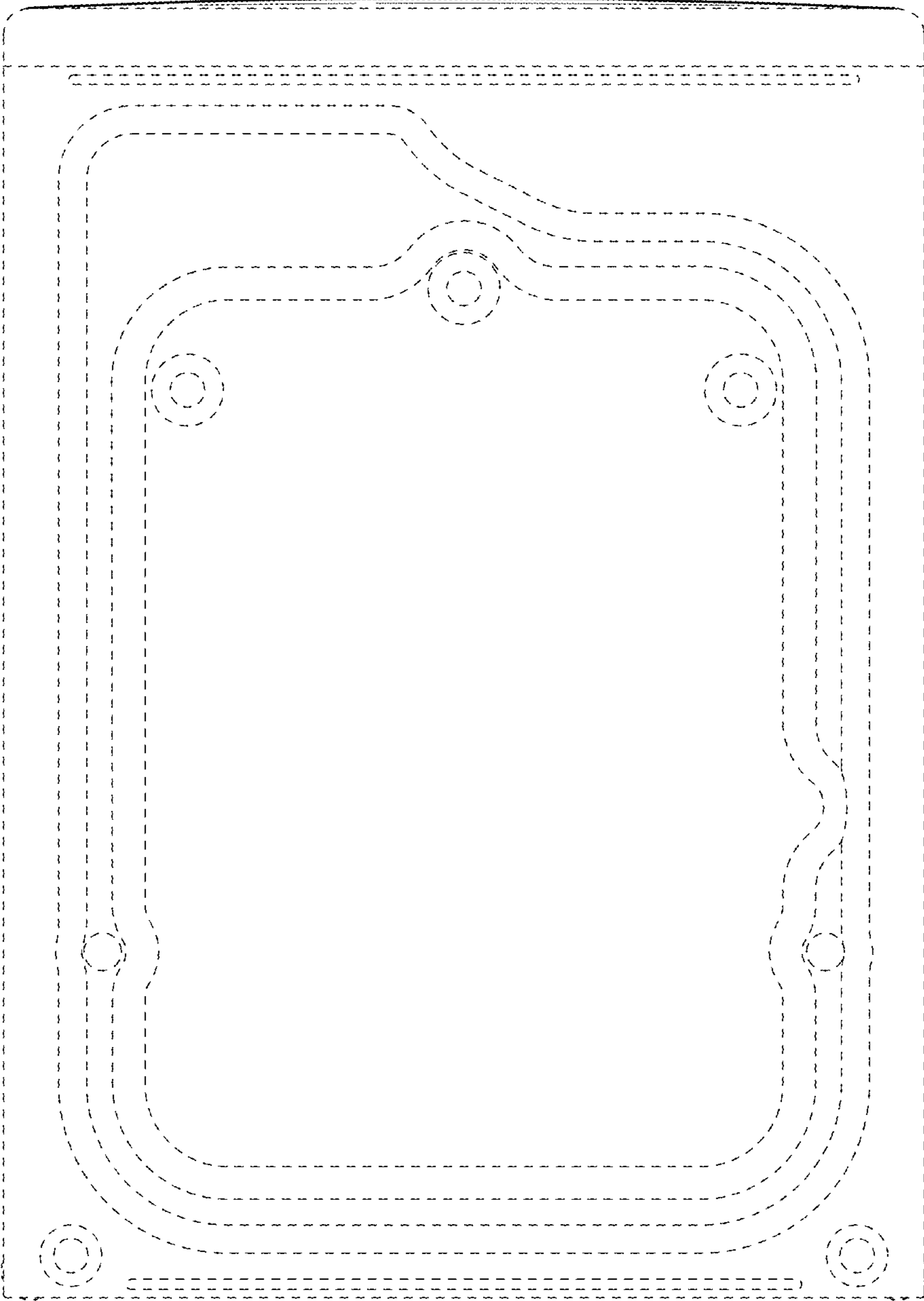


FIG. 4

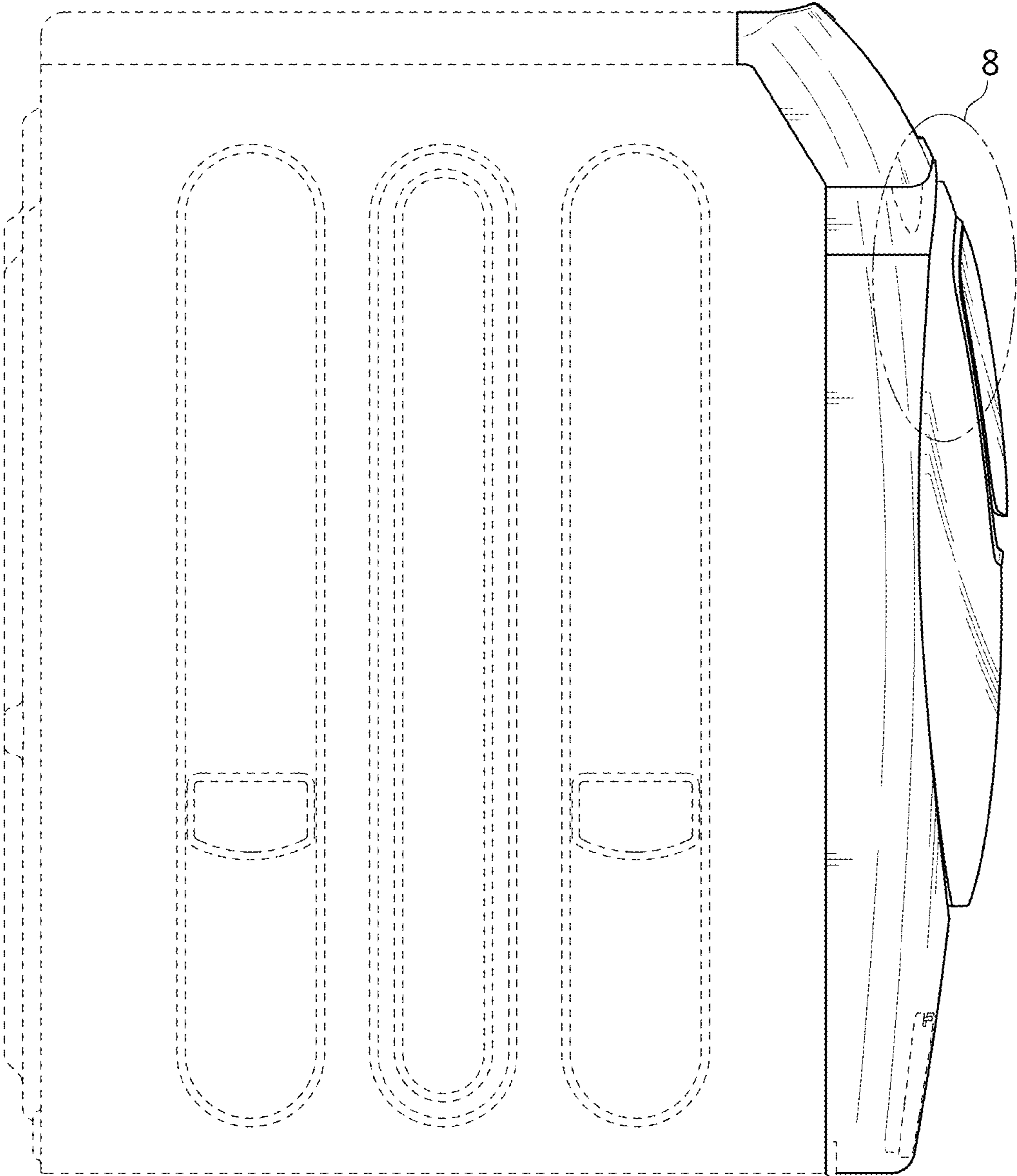


FIG. 5

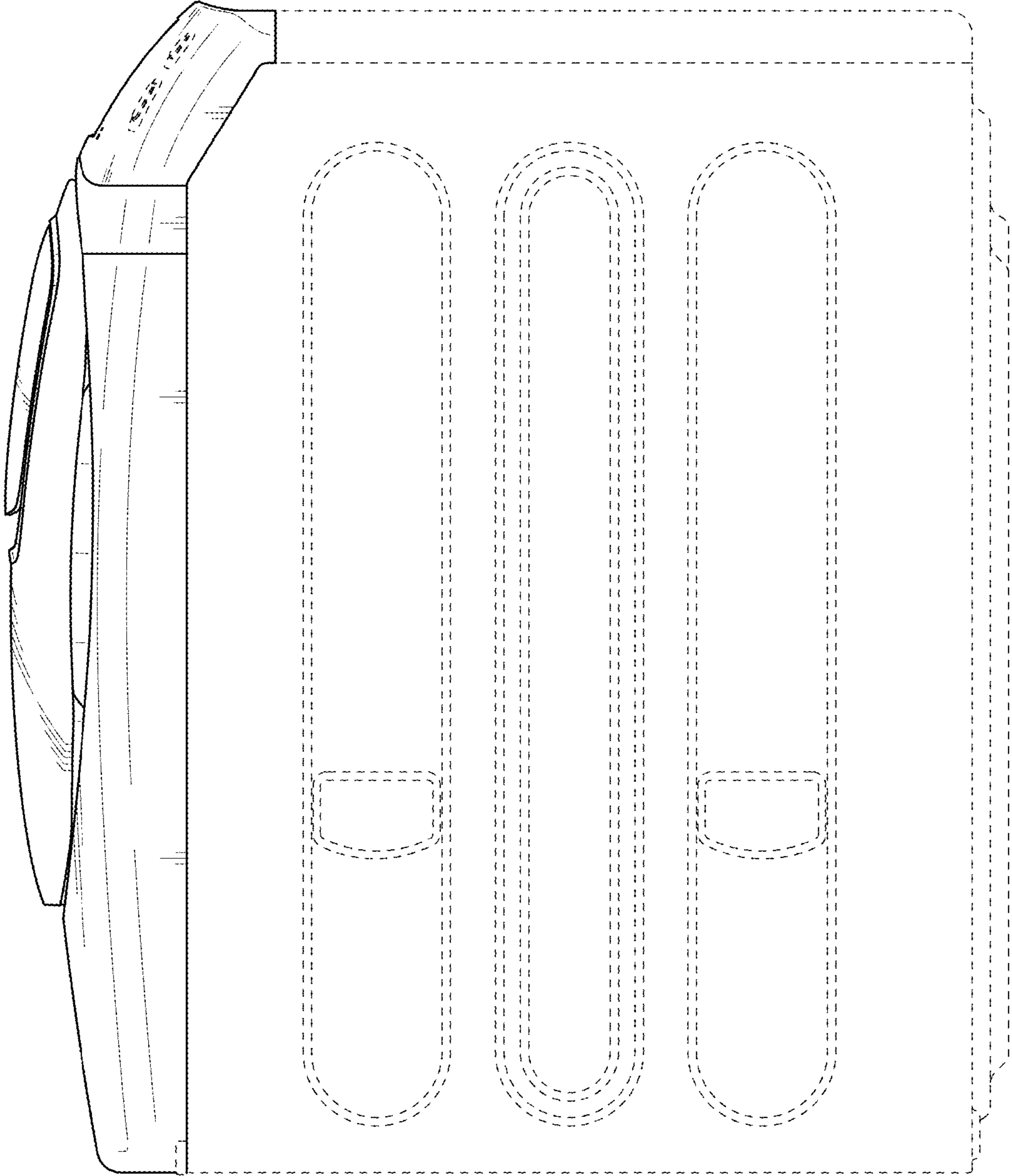


FIG. 6

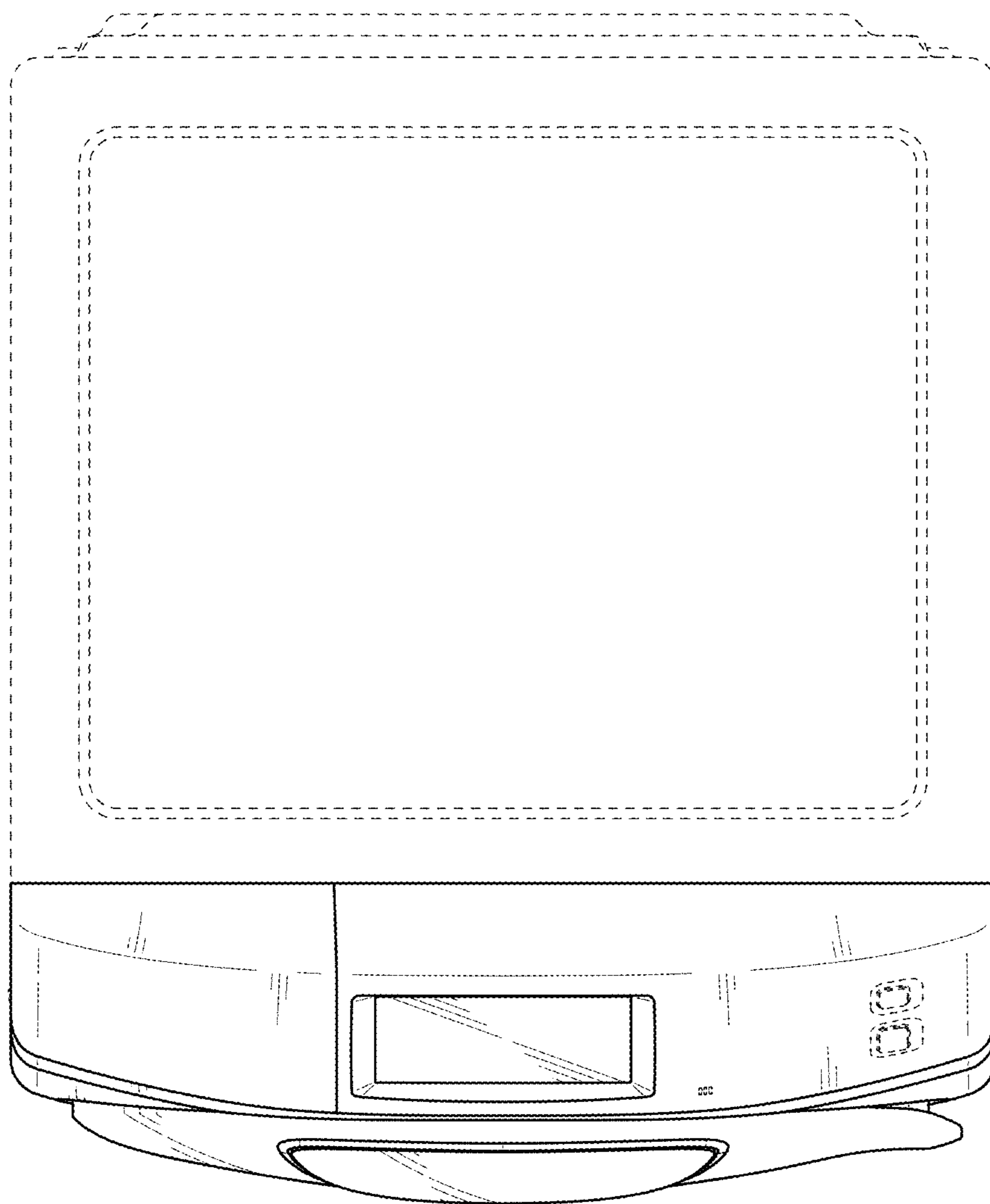




FIG. 7

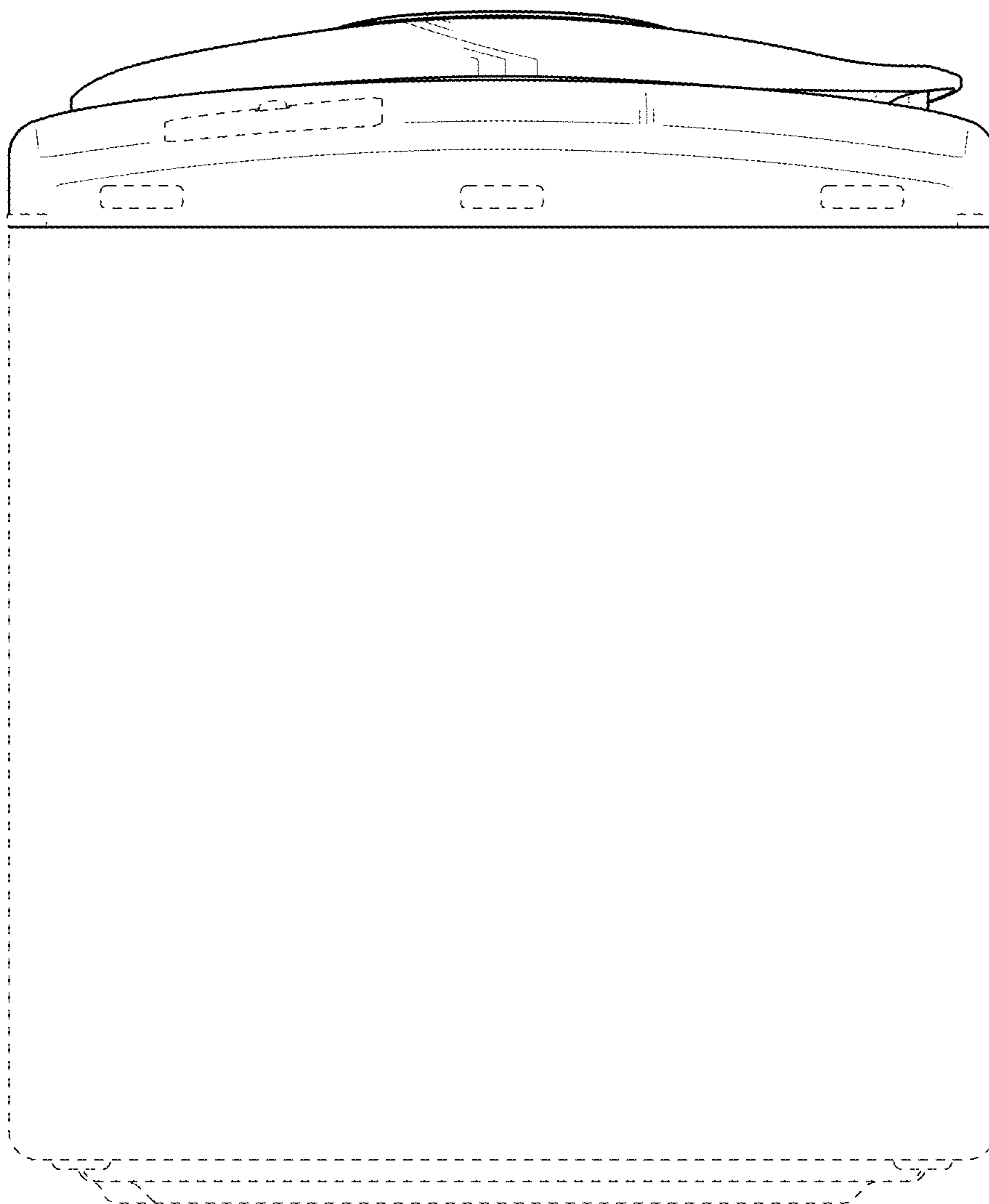


FIG. 8

