



US00D770704S

(12) **United States Design Patent**  
**Yun et al.**

(10) **Patent No.:** **US D770,704 S**  
(45) **Date of Patent:** **\*\* Nov. 1, 2016**

(54) **WASHING MACHINE**

(71) Applicant: **Samsung Electronics Co., Ltd.**,  
Suwon-si (KR)

(72) Inventors: **Deoksang Yun**, Uiwang-si (KR);  
**Junghoon Hwang**, Yongin-si (KR)

(73) Assignee: **Samsung Electronics Co., Ltd.**,  
Suwon-si (KR)

(\*\*) Term: **15 Years**

(21) Appl. No.: **29/534,687**

(22) Filed: **Jul. 30, 2015**

(30) **Foreign Application Priority Data**

Apr. 29, 2015 (KR) ..... 30-2015-0022243

(51) **LOC (10) Cl.** ..... **15-05**

(52) **U.S. Cl.**  
USPC ..... **D32/6**

(58) **Field of Classification Search**  
USPC ..... D32/1, 5, 6, 8, 12, 25, 28, 29  
CPC .. D06F 33/02; D06F 39/02; D06F 2204/065;  
D06F 25/00; D06F 35/006; D06F 58/00;  
D06F 58/02; D06F 58/04; D06F 58/20;  
D06F 23/04; G05B 19/042  
See application file for complete search history.

(56) **References Cited**

**U.S. PATENT DOCUMENTS**

- 5,687,590 A \* 11/1997 Borroni ..... D06F 39/028  
68/17 R
- D495,775 S \* 9/2004 Sagawa ..... D32/5
- D618,864 S \* 6/2010 Jeon ..... D32/6
- D625,476 S \* 10/2010 Lee ..... D32/6
- D625,889 S \* 10/2010 Lee ..... D32/6
- D627,115 S \* 11/2010 Jeon ..... D32/6
- D631,623 S \* 1/2011 Chung ..... D32/6
- D631,624 S \* 1/2011 Chung ..... D32/6

- D634,492 S \* 3/2011 Chung ..... D32/6
- D635,313 S \* 3/2011 Jeon ..... D32/6
- D636,953 S \* 4/2011 Lee ..... D32/6
- D659,307 S \* 5/2012 Geyer ..... D32/6
- D665,543 S \* 8/2012 Kim ..... D32/6
- D675,793 S \* 2/2013 Geyer ..... D32/6
- D688,013 S \* 8/2013 Kim ..... D32/6
- 8,516,860 B2 \* 8/2013 Persson ..... 68/19
- D690,061 S \* 9/2013 Kim ..... D32/6
- D693,973 S \* 11/2013 Geyer ..... D32/6
- D694,966 S \* 12/2013 Borjesson ..... D32/6
- D697,678 S \* 1/2014 Jeon ..... D32/6
- D700,409 S \* 2/2014 Takahashi ..... D32/25
- 8,713,976 B2 \* 5/2014 Hoppe ..... 68/12.04
- D706,999 S \* 6/2014 Cho ..... D32/6

(Continued)

*Primary Examiner* — T. Chase Nelson

*Assistant Examiner* — Michelle E Wilson

(74) *Attorney, Agent, or Firm* — NSIP Law

(57) **CLAIM**

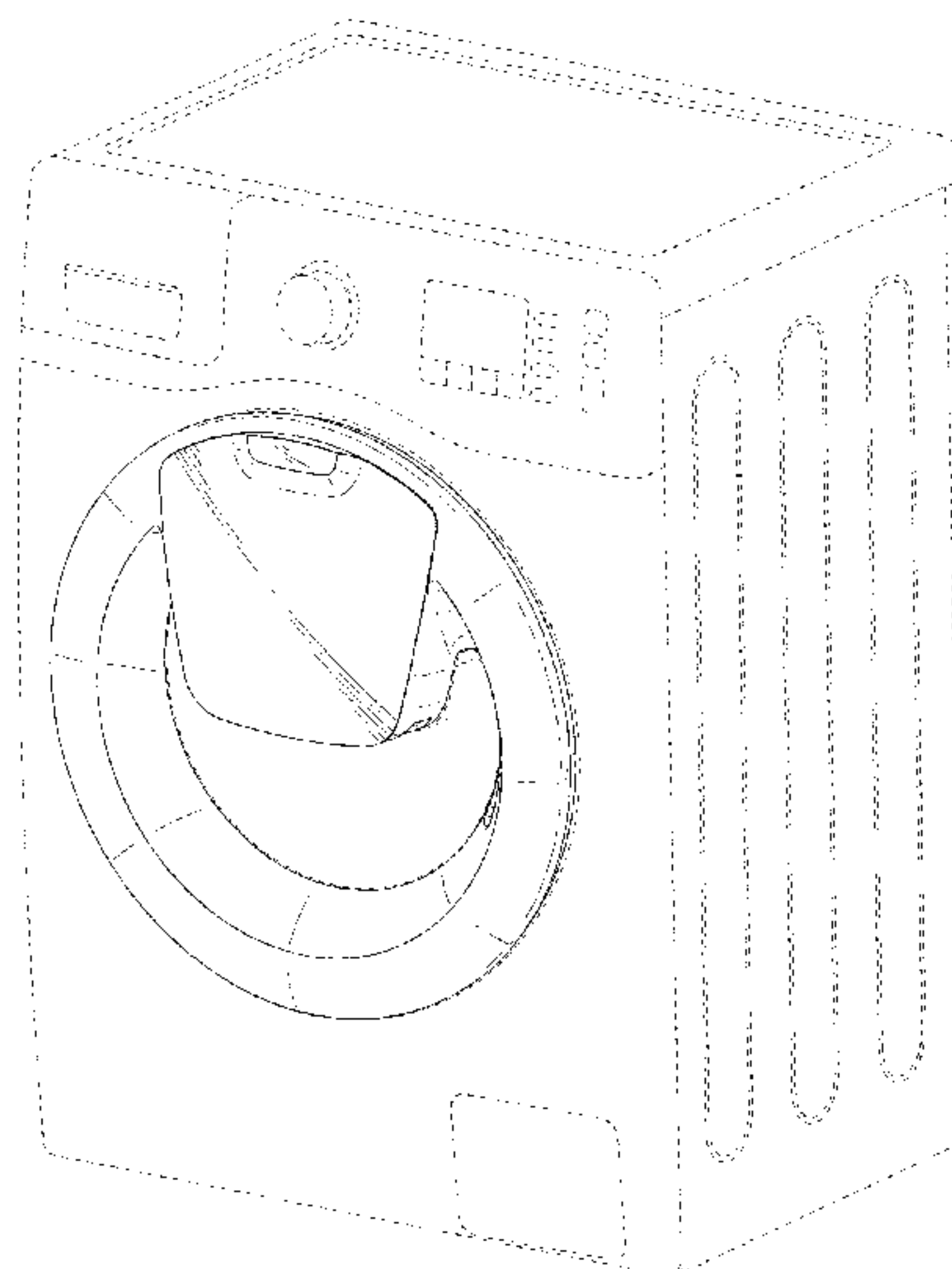
We claim the ornamental design for a washing machine, as shown and described.

**DESCRIPTION**

FIG. 1 is a front perspective view of a washing machine showing our new design;  
FIG. 2 is a front view thereof;  
FIG. 3 is a rear view thereof;  
FIG. 4 is a left-side view thereof;  
FIG. 5 is a right-side view thereof;  
FIG. 6 is a top view thereof;  
FIG. 7 is a bottom view thereof; and,  
FIG. 8 is an enlarged view of the encircled portion in FIG. 4.

The short dash-dash broken line in the figures defines unclaimed portions of the washing machine and the dot-dot-dash broken line encircling a portion of the washing machine is for illustrating the enlargement; the broken lines form no part of the claimed design.

**1 Claim, 8 Drawing Sheets**



(56)

References Cited

U.S. PATENT DOCUMENTS

D708,799 S *	7/2014	Choi	.....	D32/6	D731,128 S *	6/2015	Ha	.....	D32/6
D708,800 S *	7/2014	Choi	.....	D32/6	D731,129 S *	6/2015	Ha	.....	D32/6
D714,502 S *	9/2014	Jeon	.....	D32/25	D731,131 S *	6/2015	Ha	.....	D32/25
D729,996 S *	5/2015	Hwang	.....	D32/6	D732,250 S *	6/2015	Borjesson	.....	D32/6
D729,997 S *	5/2015	Hwang	.....	D32/6	D732,763 S *	6/2015	Hwang	.....	D32/6
D730,596 S *	5/2015	Kim	.....	D32/6	D732,767 S *	6/2015	Ha	.....	D32/25
D730,601 S *	5/2015	Jinnam	.....	D32/25	D732,768 S *	6/2015	Choi	.....	D32/25
D730,602 S *	5/2015	Choi	.....	D32/25	D733,371 S *	6/2015	Chung	.....	D32/6
D731,126 S *	6/2015	Ha	.....	D32/6	D747,575 S *	1/2016	Choi	.....	D32/28
D731,127 S *	6/2015	Ha	.....	D32/6	D749,804 S *	2/2016	Ha	.....	D32/6
					D749,806 S *	2/2016	Hwang	.....	D32/25
					D758,681 S *	6/2016	Park	.....	D32/25
					D758,682 S *	6/2016	Kim	.....	D32/25

\* cited by examiner

FIG. 1

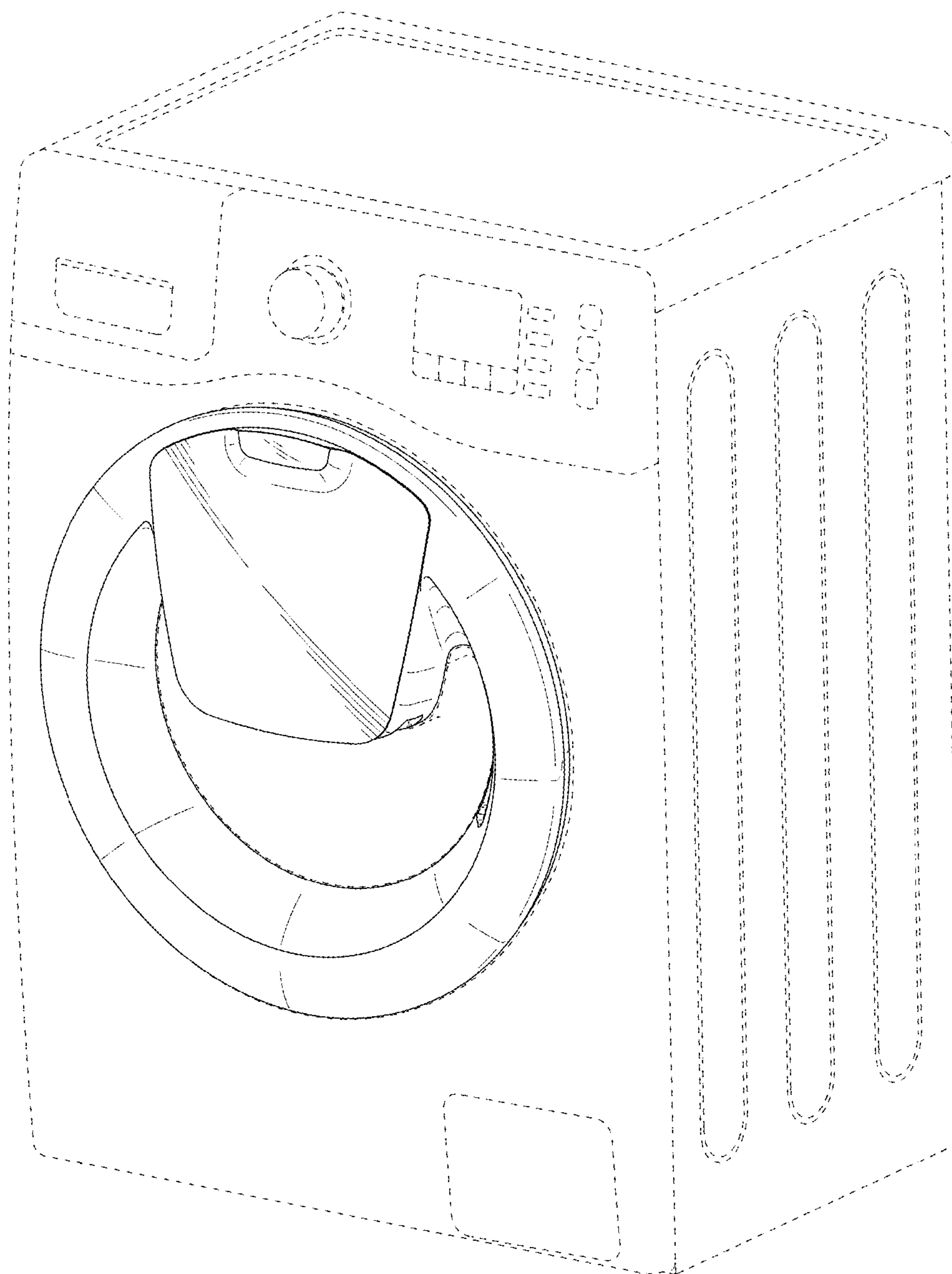


FIG. 2

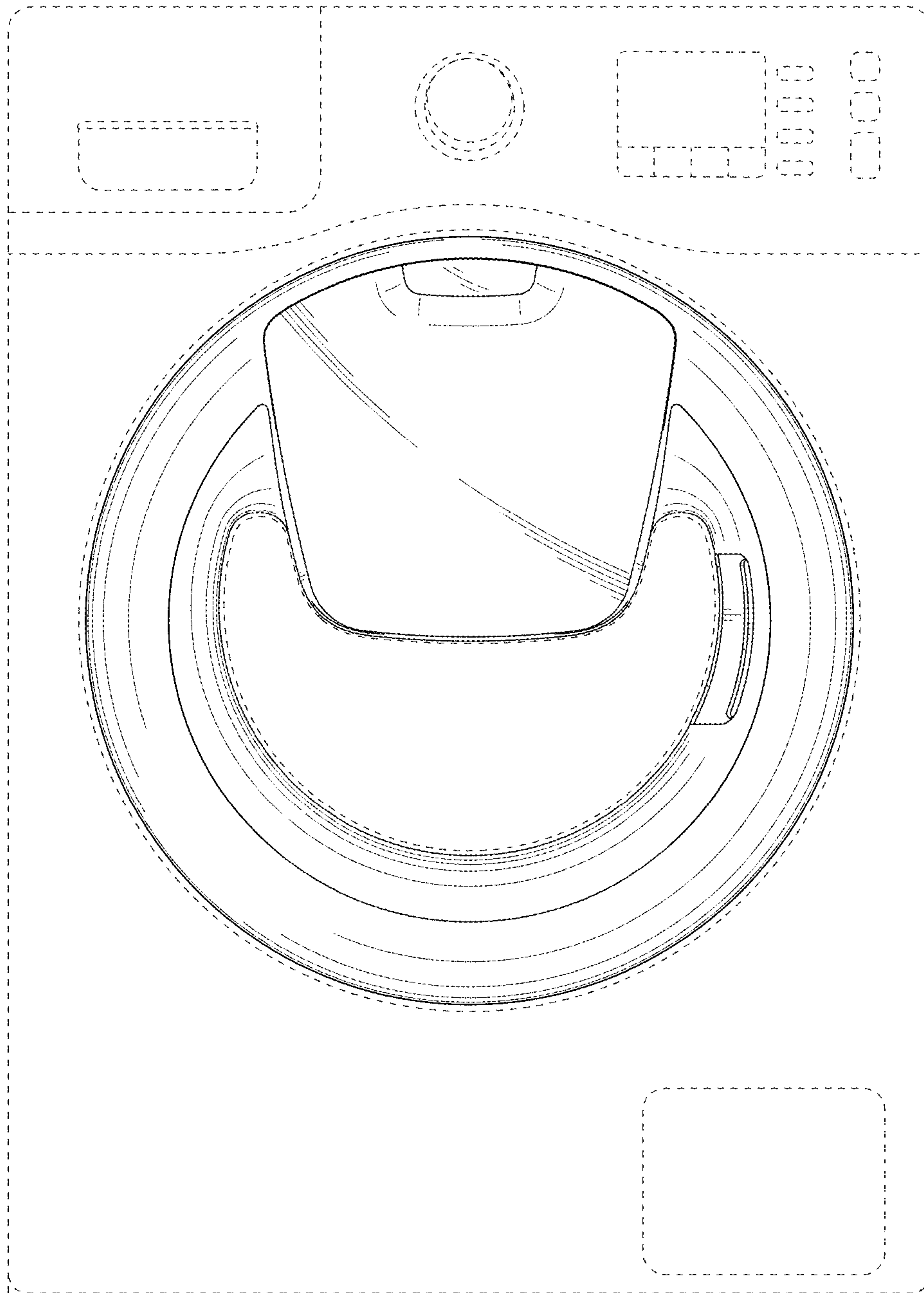


FIG. 3

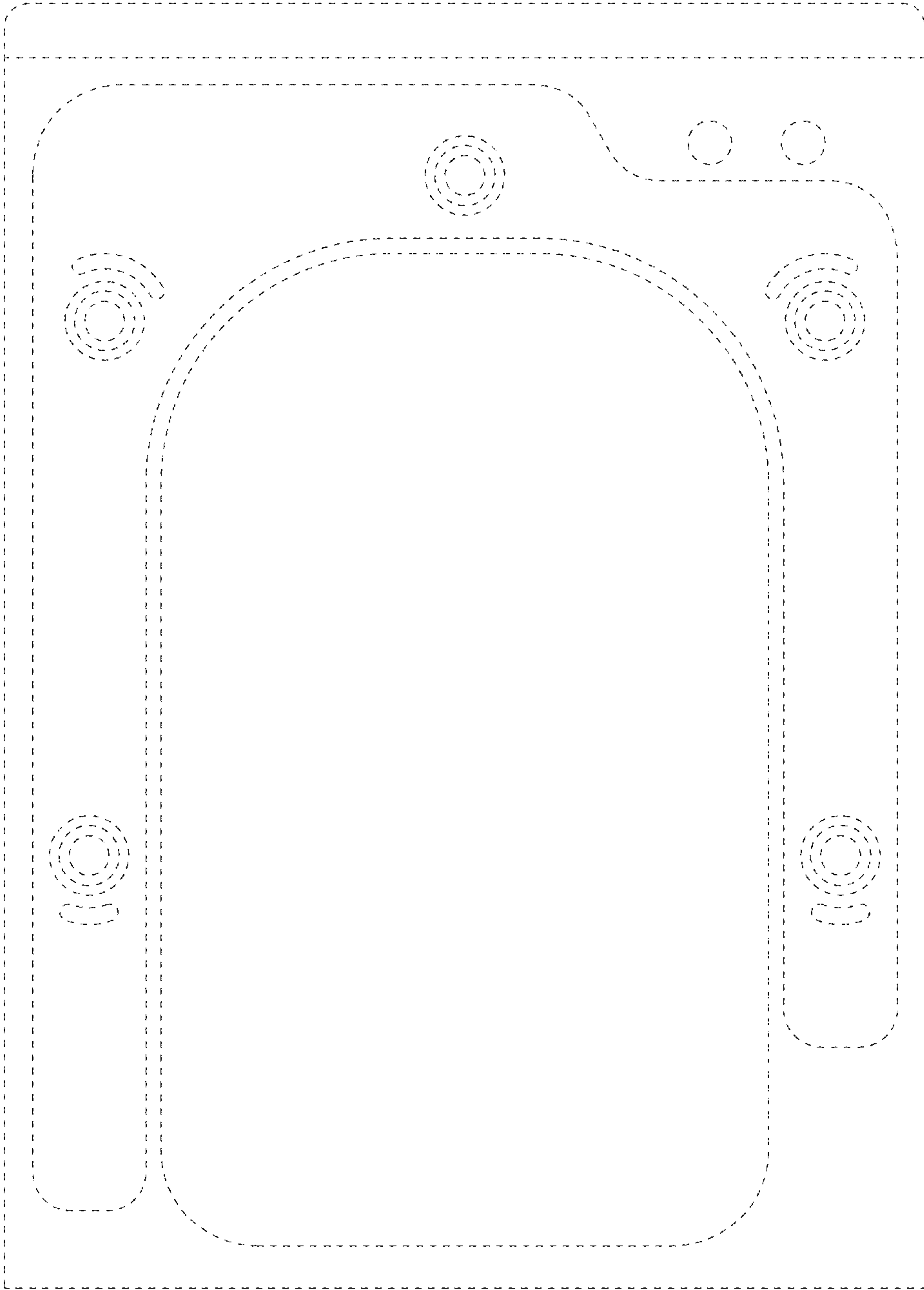




FIG. 4

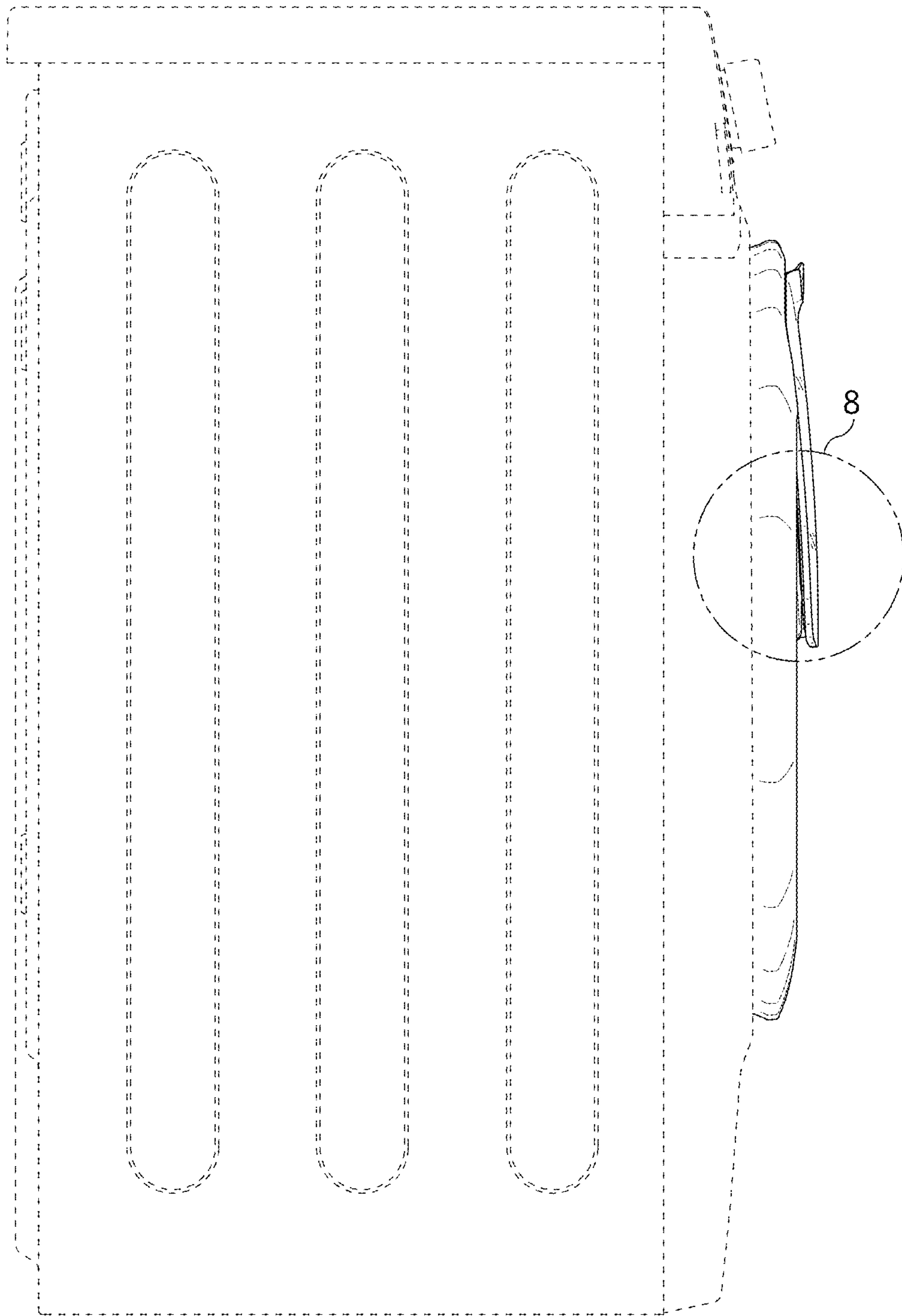


FIG. 5

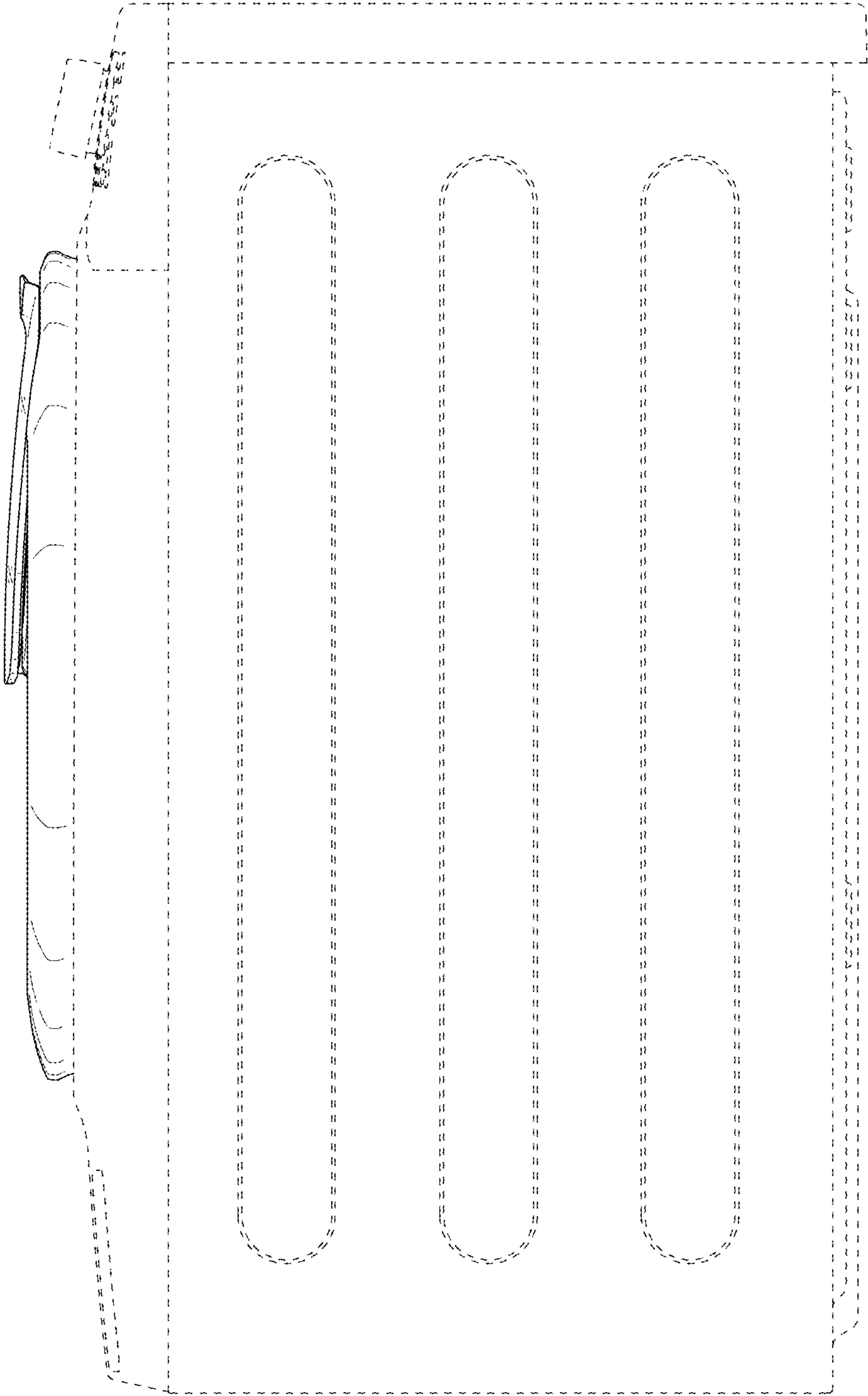


FIG. 6

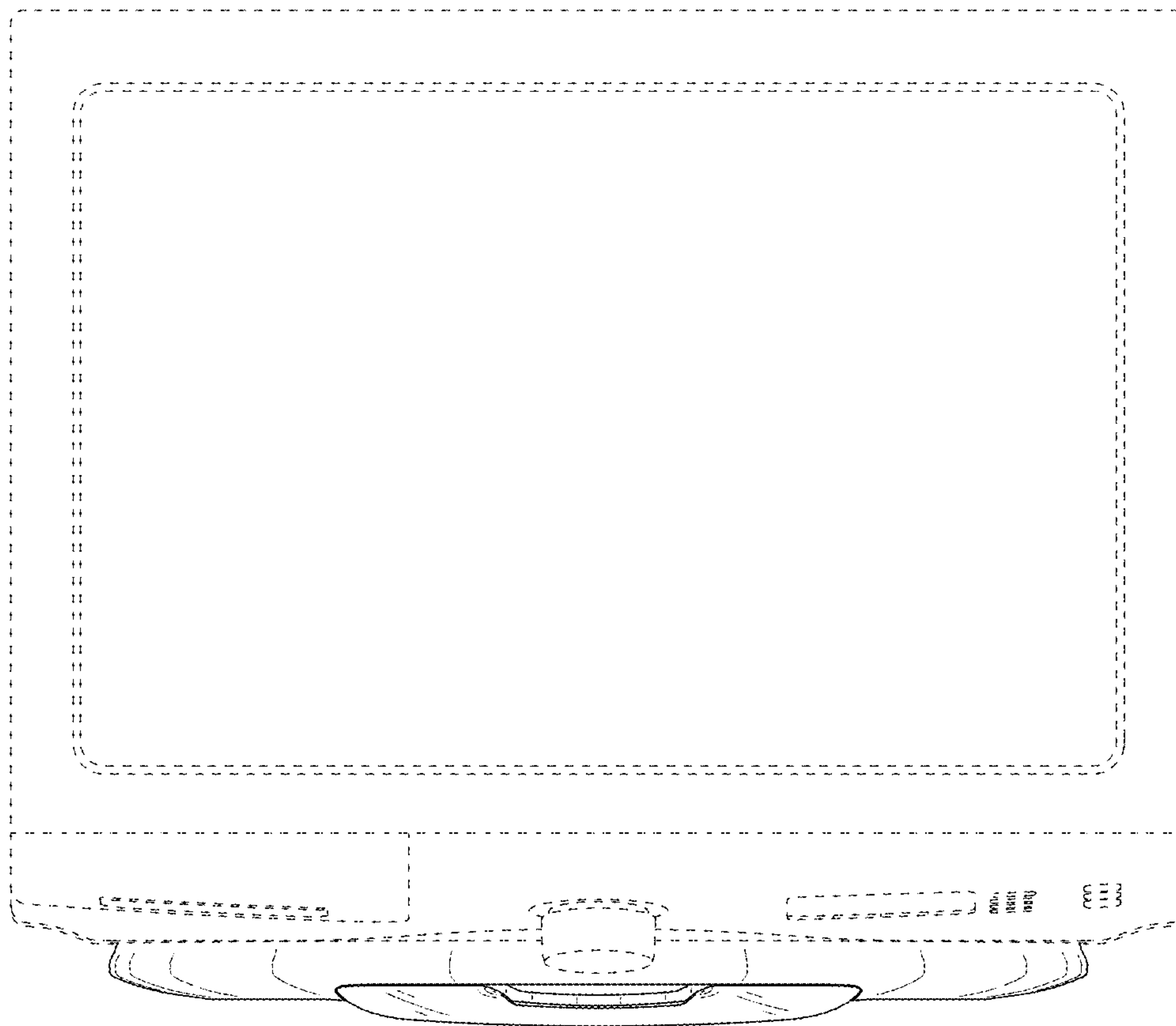




FIG. 7

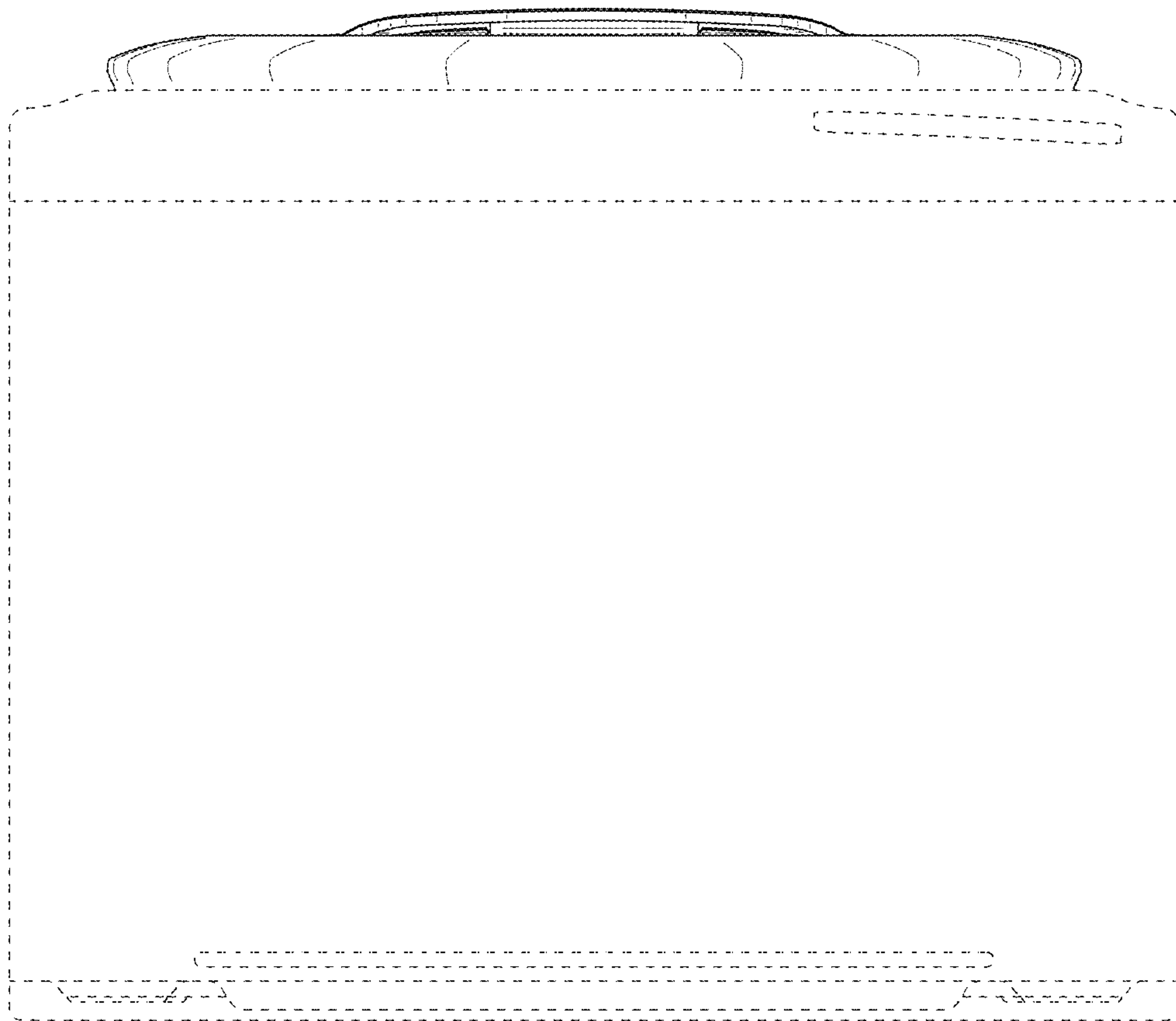


FIG. 8

