



US00D770701S

(12) **United States Design Patent**
Park et al.

(10) **Patent No.:** **US D770,701 S**
(45) **Date of Patent:** **** Nov. 1, 2016**

(54) **WASHING MACHINE**

(71) Applicant: **Samsung Electronics Co., Ltd.**,
Suwon-si (KR)

(72) Inventors: **Jungeun Park**, Seoul (KR); **Yeonsu Kim**, Seoul (KR); **Kangdoon Kim**, Seoul (KR); **Kisang Yoon**, Daejeon (KR)

(73) Assignee: **Samsung Electronics Co., Ltd.**,
Suwon-si (KR)

(**) Term: **15 Years**

(21) Appl. No.: **29/534,614**

(22) Filed: **Jul. 30, 2015**

(30) **Foreign Application Priority Data**

Apr. 29, 2015 (KR) 30-2015-0022211

(51) **LOC (10) Cl.** **15-05**

(52) **U.S. Cl.**
USPC **D32/6**

(58) **Field of Classification Search**
USPC D32/1, 5, 6, 8, 12, 25, 28, 29
CPC .. D06F 33/02; D06F 39/02; D06F 2204/065;
D06F 25/00; D06F 35/006; D06F 58/00;
D06F 58/02; D06F 58/04; D06F 58/20;
D06F 23/04; G05B 19/042
See application file for complete search history.

(56) **References Cited**

U.S. PATENT DOCUMENTS

5,687,590 A * 11/1997 Borroni D06F 39/028
68/17 R
D495,775 S * 9/2004 Sagawa D32/5
D618,864 S * 6/2010 Jeon D32/6
D625,476 S * 10/2010 Lee D32/6
D625,889 S * 10/2010 Lee D32/6

D627,115 S * 11/2010 Jeon D32/6
D631,623 S * 1/2011 Chung D32/6
D631,624 S * 1/2011 Chung D32/6
D634,492 S * 3/2011 Chung D32/6
D635,313 S * 3/2011 Jeon D32/6
D636,953 S * 4/2011 Lee D32/6
D659,307 S * 5/2012 Geyer D32/6
D665,543 S * 8/2012 Kim D32/6
D675,793 S * 2/2013 Geyer D32/6
D688,013 S * 8/2013 Kim D32/6
8,516,860 B2 * 8/2013 Persson 68/19
D690,061 S * 9/2013 Kim D32/6
D693,973 S * 11/2013 Geyer D32/6
D694,966 S * 12/2013 Borjesson D32/6
D697,678 S * 1/2014 Jeon D32/6
D700,409 S * 2/2014 Takahashi D32/25
8,713,976 B2 * 5/2014 Hoppe 68/12.04
D706,999 S * 6/2014 Cho D32/6
D708,799 S * 7/2014 Choi D32/6
D708,800 S * 7/2014 Choi D32/6
D714,502 S * 9/2014 Jeon D32/25

(Continued)

Primary Examiner — T. Chase Nelson

Assistant Examiner — Michelle E Wilson

(74) *Attorney, Agent, or Firm* — NSIP Law

(57) **CLAIM**

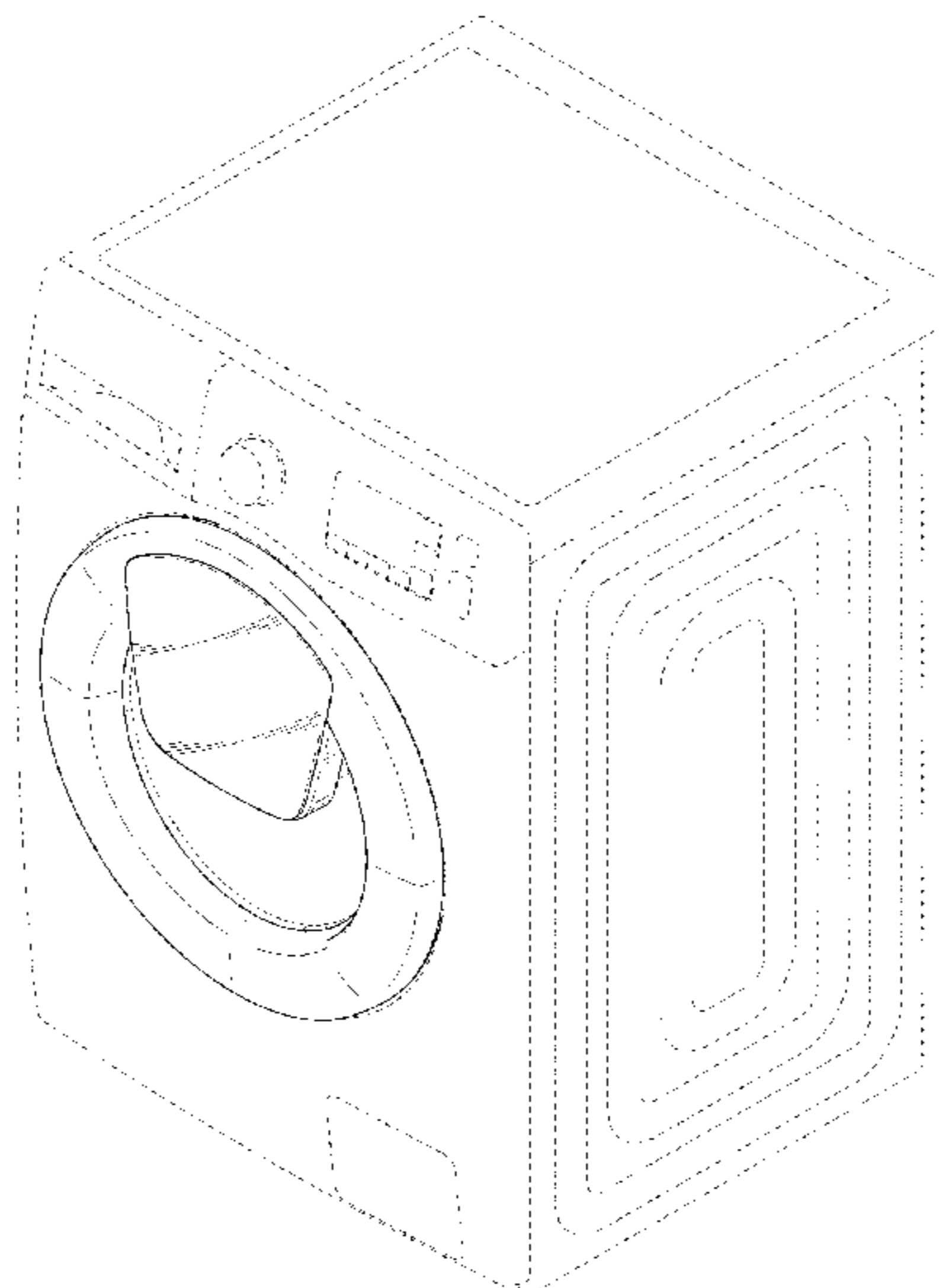
We claim the ornamental design for a washing machine, as shown and described.

DESCRIPTION

FIG. 1 is a front perspective view of a washing machine showing our new design;
FIG. 2 is a front view thereof;
FIG. 3 is a rear view thereof;
FIG. 4 is a left-side view thereof;
FIG. 5 is a right-side view thereof;
FIG. 6 is a top view thereof; and,
FIG. 7 is a bottom view thereof.

The short dash-dash broken lines in the figures define unclaimed portions of the washing machine and form no part of the claimed design.

1 Claim, 7 Drawing Sheets



(56)

References Cited

U.S. PATENT DOCUMENTS

D729,996 S *	5/2015	Hwang	D32/6	D731,131 S *	6/2015	Ha	D32/25
D729,997 S *	5/2015	Hwang	D32/6	D732,250 S *	6/2015	Borjesson	D32/6
D730,596 S *	5/2015	Kim	D32/6	D732,763 S *	6/2015	Hwang	D32/6
D730,601 S *	5/2015	Jinnam	D32/25	D732,767 S *	6/2015	Ha	D32/25
D730,602 S *	5/2015	Choi	D32/25	D732,768 S *	6/2015	Choi	D32/25
D731,126 S *	6/2015	Ha	D32/6	D733,371 S *	6/2015	Chung	D32/6
D731,127 S *	6/2015	Ha	D32/6	D747,575 S *	1/2016	Choi	D32/28
D731,128 S *	6/2015	Ha	D32/6	D749,804 S *	2/2016	Ha	D32/6
D731,129 S *	6/2015	Ha	D32/6	D749,806 S *	2/2016	Hwang	D32/25
					D758,681 S *	6/2016	Park	D32/25
					D758,682 S *	6/2016	Kim	D32/25

* cited by examiner

FIG. 1

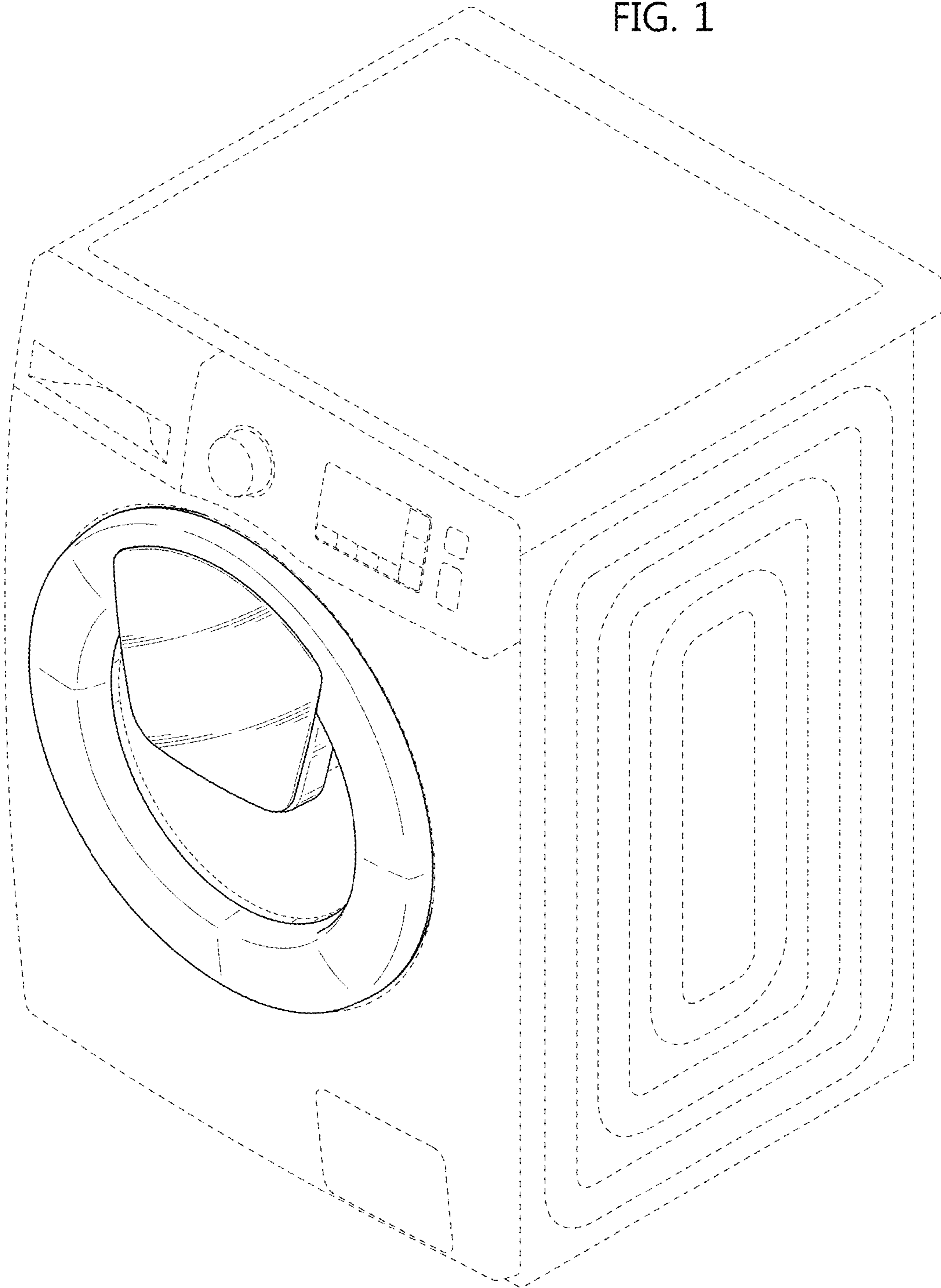


FIG. 2

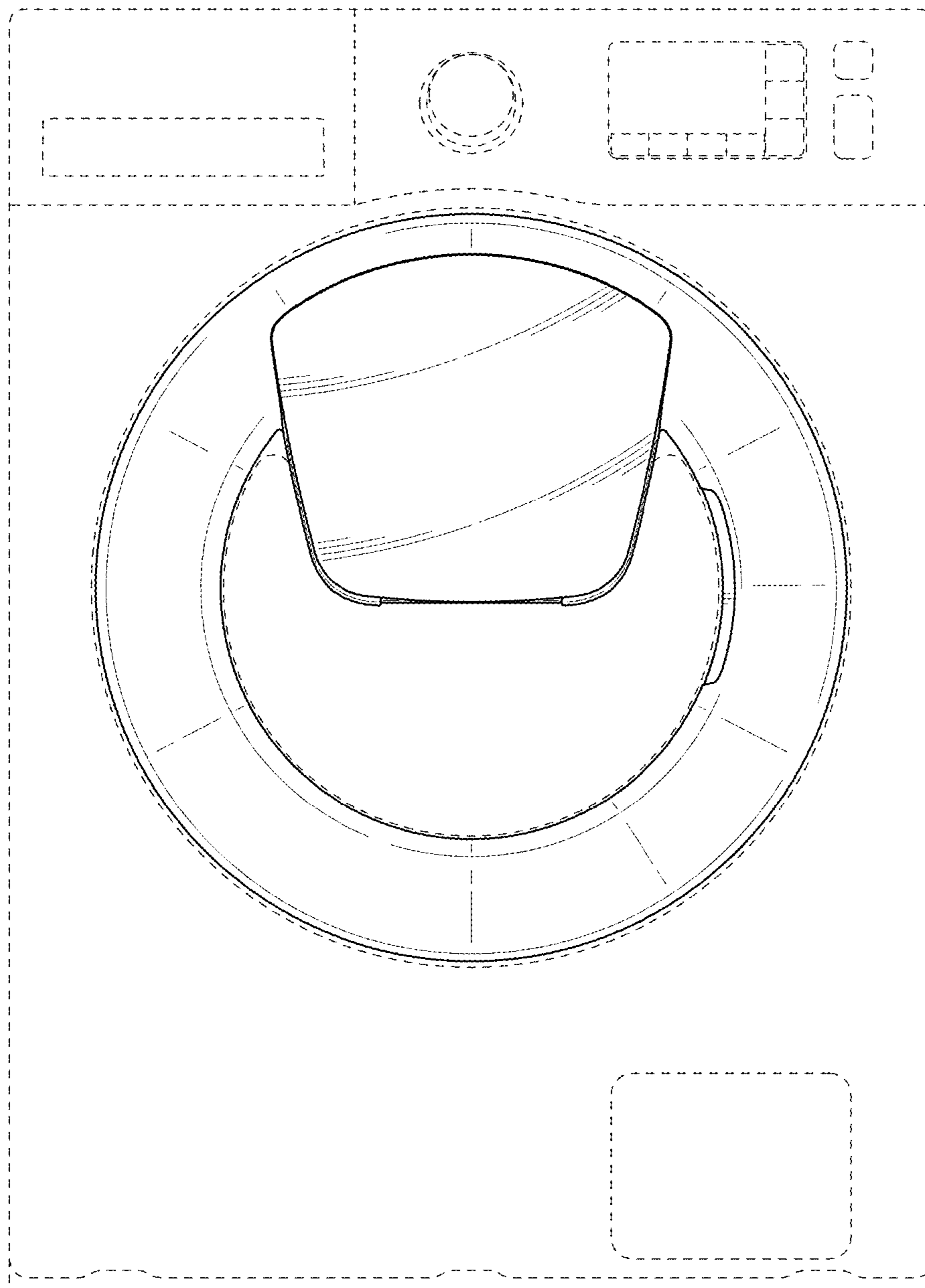


FIG. 3

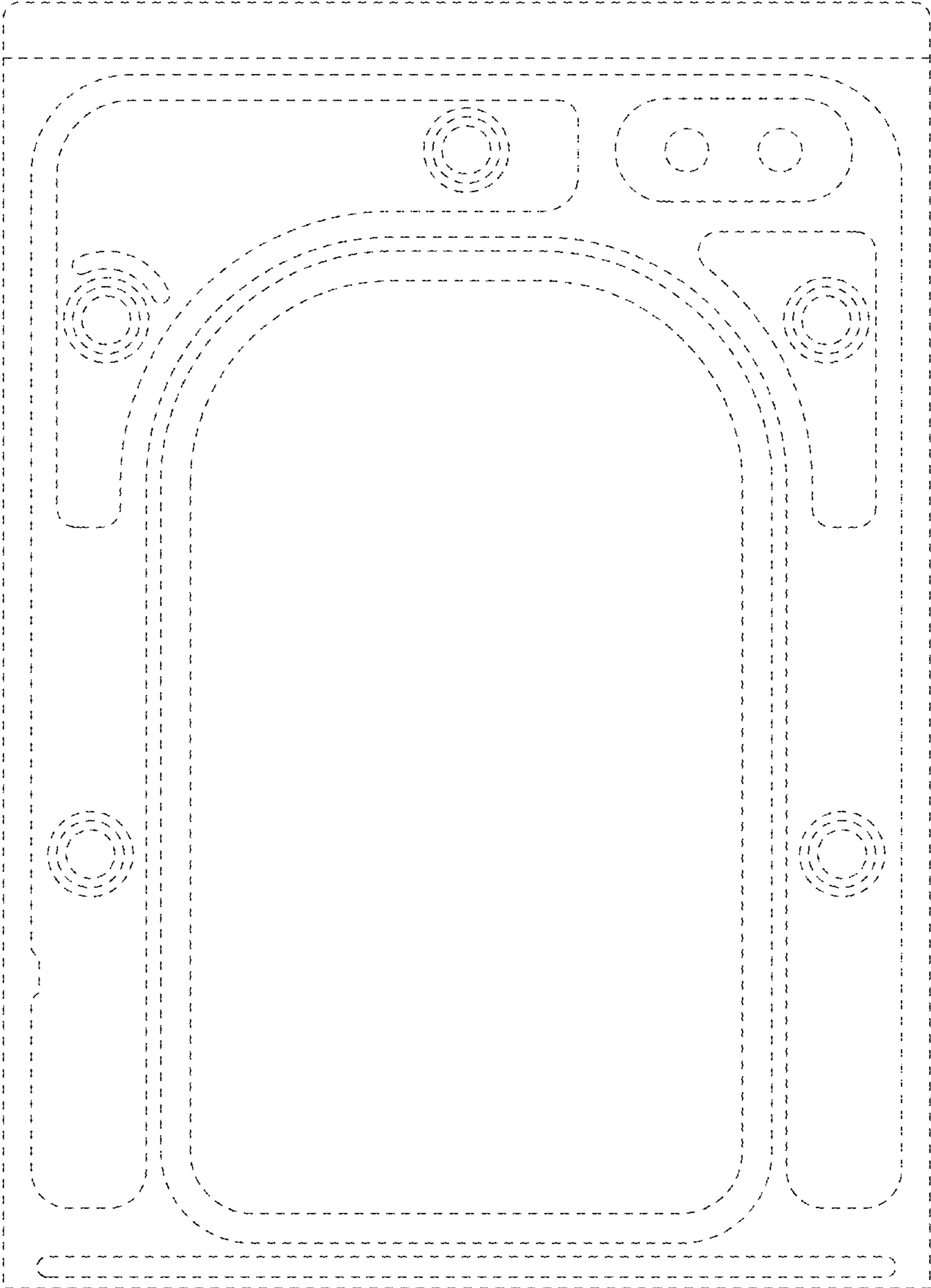


FIG. 4

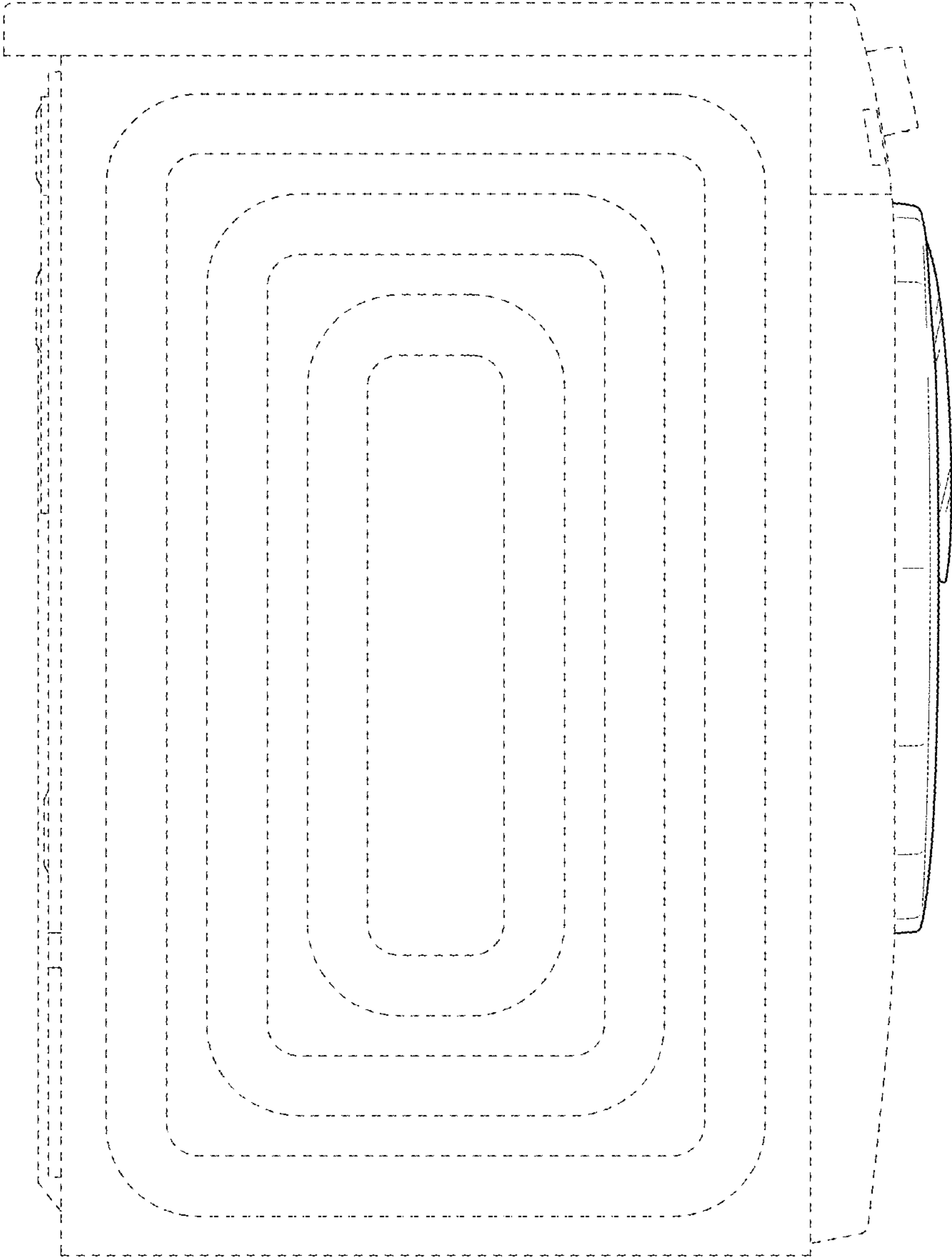


FIG. 5

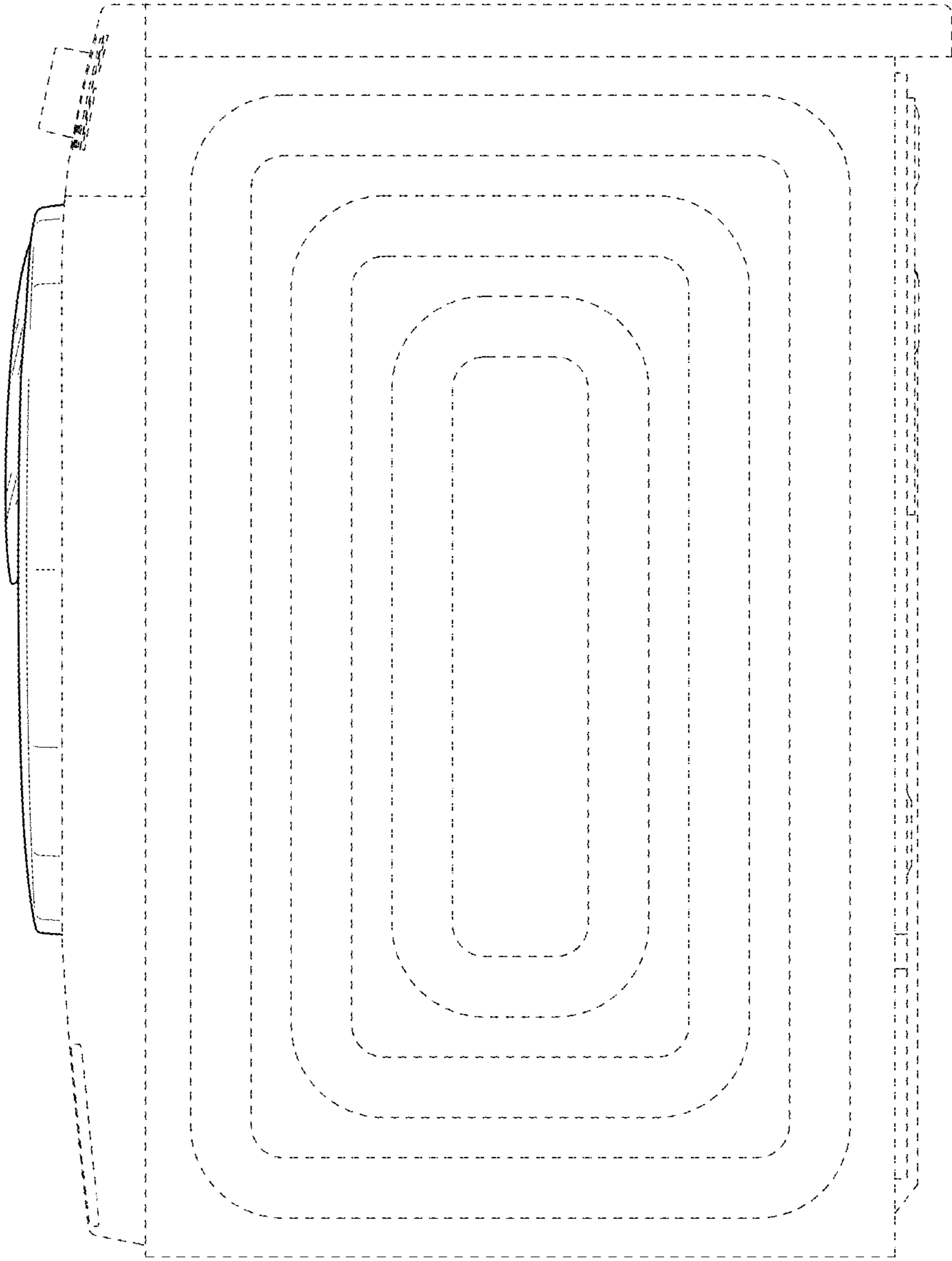


FIG. 6

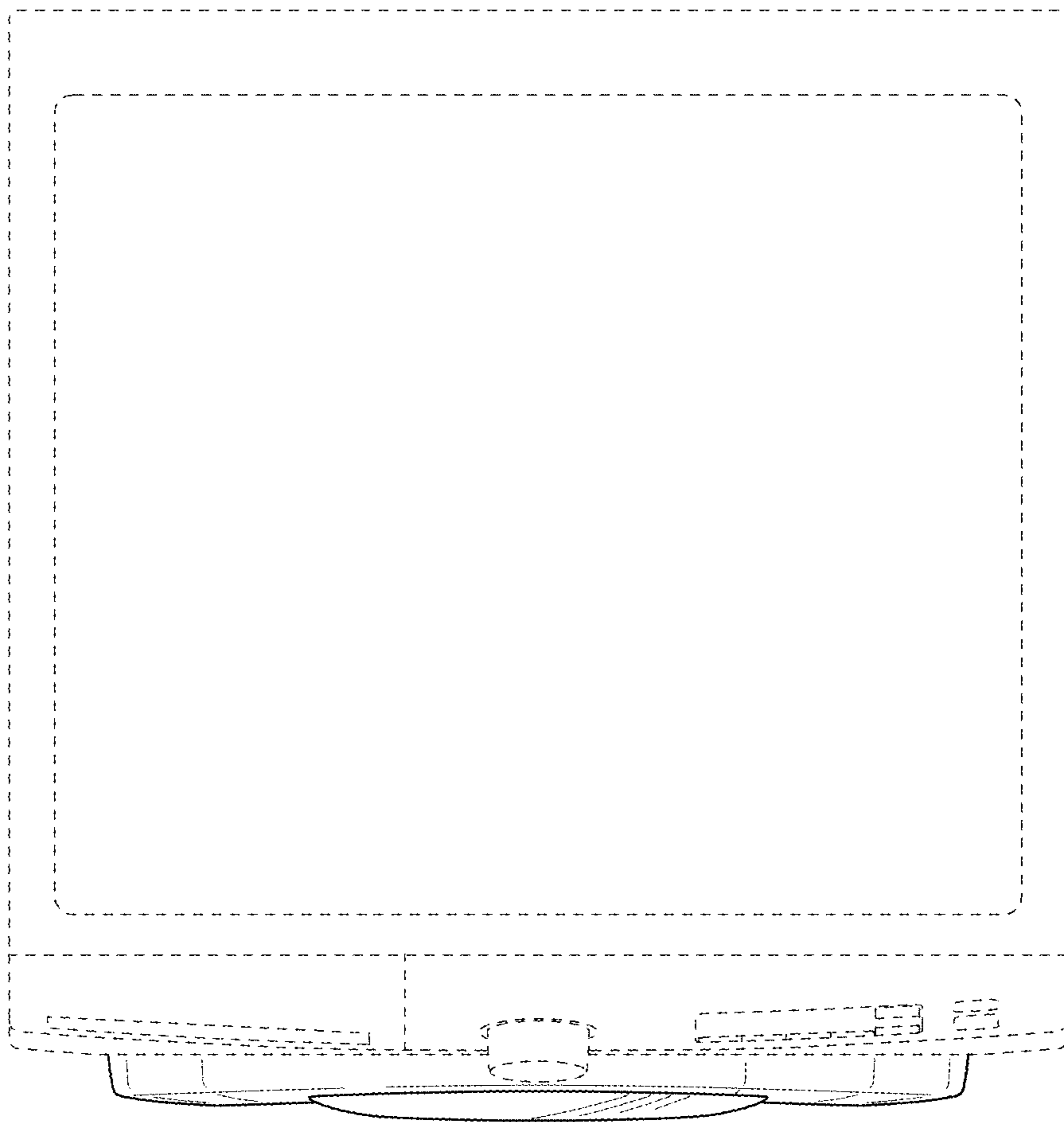


FIG. 7

