



US00D770700S

(12) **United States Design Patent**  
**Yun et al.**

(10) **Patent No.:** **US D770,700 S**  
(45) **Date of Patent:** **\*\* Nov. 1, 2016**

(54) **WASHING MACHINE**

(71) Applicant: **Samsung Electronics Co., Ltd.**,  
Suwon-si (KR)

(72) Inventors: **Deoksang Yun**, Uiwang-si (KR);  
**Junghoon Hwang**, Yongin-si (KR)

(73) Assignee: **Samsung Electronics Co., Ltd.**,  
Suwon-si (KR)

(\*\*) Term: **15 Years**

(21) Appl. No.: **29/534,503**

(22) Filed: **Jul. 29, 2015**

(30) **Foreign Application Priority Data**

Apr. 29, 2015 (KR) ..... 30-2015-0022214

(51) **LOC (10) Cl.** ..... **15-05**

(52) **U.S. Cl.**  
USPC ..... **D32/6**

(58) **Field of Classification Search**  
USPC ..... D32/1, 5, 6, 8, 12, 25, 28, 29  
CPC .. D06F 33/02; D06F 39/02; D06F 2204/065;  
D06F 25/00; D06F 35/006; D06F 58/00;  
D06F 58/02; D06F 58/04; D06F 58/20;  
D06F 23/04; G05B 19/042  
See application file for complete search history.

(56) **References Cited**

**U.S. PATENT DOCUMENTS**

- 5,687,590 A \* 11/1997 Borroni ..... D06F 39/028  
68/17 R
- D495,775 S \* 9/2004 Sagawa ..... D32/5
- 8,516,860 B2 \* 8/2013 Persson ..... 68/19
- D700,409 S \* 2/2014 Takahashi ..... D32/25
- 8,713,976 B2 \* 5/2014 Hoppe ..... 68/12.04
- D708,799 S \* 7/2014 Choi ..... D32/6

- D708,800 S \* 7/2014 Choi ..... D32/6
- D729,996 S \* 5/2015 Hwang ..... D32/6
- D729,997 S \* 5/2015 Hwang ..... D32/6
- D730,596 S \* 5/2015 Kim ..... D32/6
- D730,601 S \* 5/2015 Jinnam ..... D32/25
- D730,602 S \* 5/2015 Choi ..... D32/25
- D731,126 S \* 6/2015 Ha ..... D32/6
- D731,127 S \* 6/2015 Ha ..... D32/6
- D731,128 S \* 6/2015 Ha ..... D32/6
- D731,129 S \* 6/2015 Ha ..... D32/6
- D731,131 S \* 6/2015 Ha ..... D32/25
- D732,763 S \* 6/2015 Hwang ..... D32/6
- D732,767 S \* 6/2015 Ha ..... D32/25
- D732,768 S \* 6/2015 Choi ..... D32/25
- D733,371 S \* 6/2015 Chung ..... D32/6
- D747,575 S \* 1/2016 Choi ..... D32/28
- D749,804 S \* 2/2016 Ha ..... D32/6
- D749,806 S \* 2/2016 Hwang ..... D32/25
- D758,681 S \* 6/2016 Park ..... D32/25
- D758,682 S \* 6/2016 Kim ..... D32/25

\* cited by examiner

*Primary Examiner* — T. Chase Nelson  
*Assistant Examiner* — Michelle E Wilson  
(74) *Attorney, Agent, or Firm* — NSIP Law

(57) **CLAIM**

We claim the ornamental design for a washing machine, as shown and described.

**DESCRIPTION**

FIG. 1 is a front perspective view of a washing machine showing our new design;  
FIG. 2 is a front view thereof;  
FIG. 3 is a rear view thereof;  
FIG. 4 is a left-side view thereof;  
FIG. 5 is a right-side view thereof;  
FIG. 6 is a top view thereof; and,  
FIG. 7 is a bottom view thereof.  
The broken lines in the figures show portions of the washing machine which form no part of the claimed design.

**1 Claim, 7 Drawing Sheets**

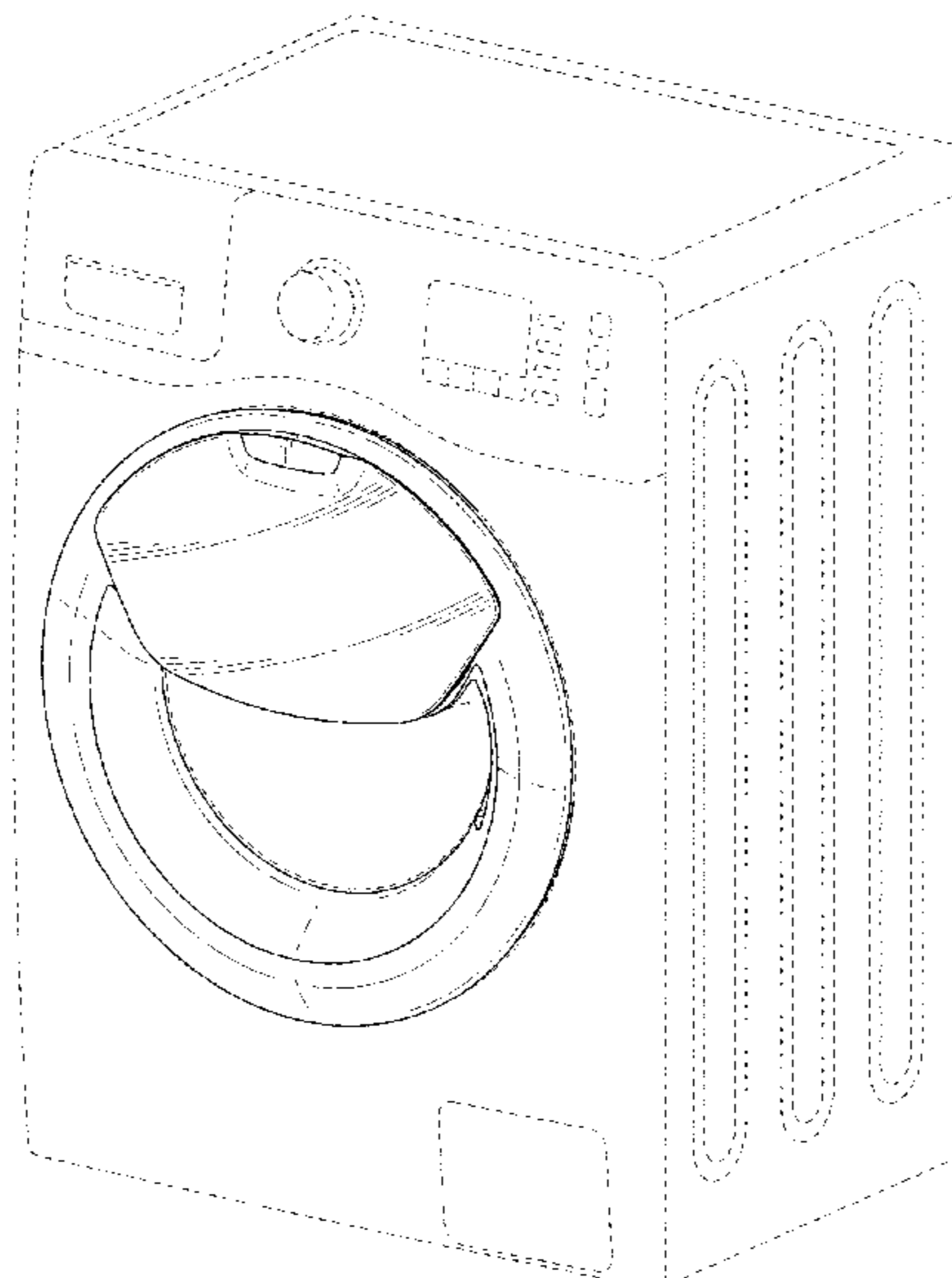


FIG. 1

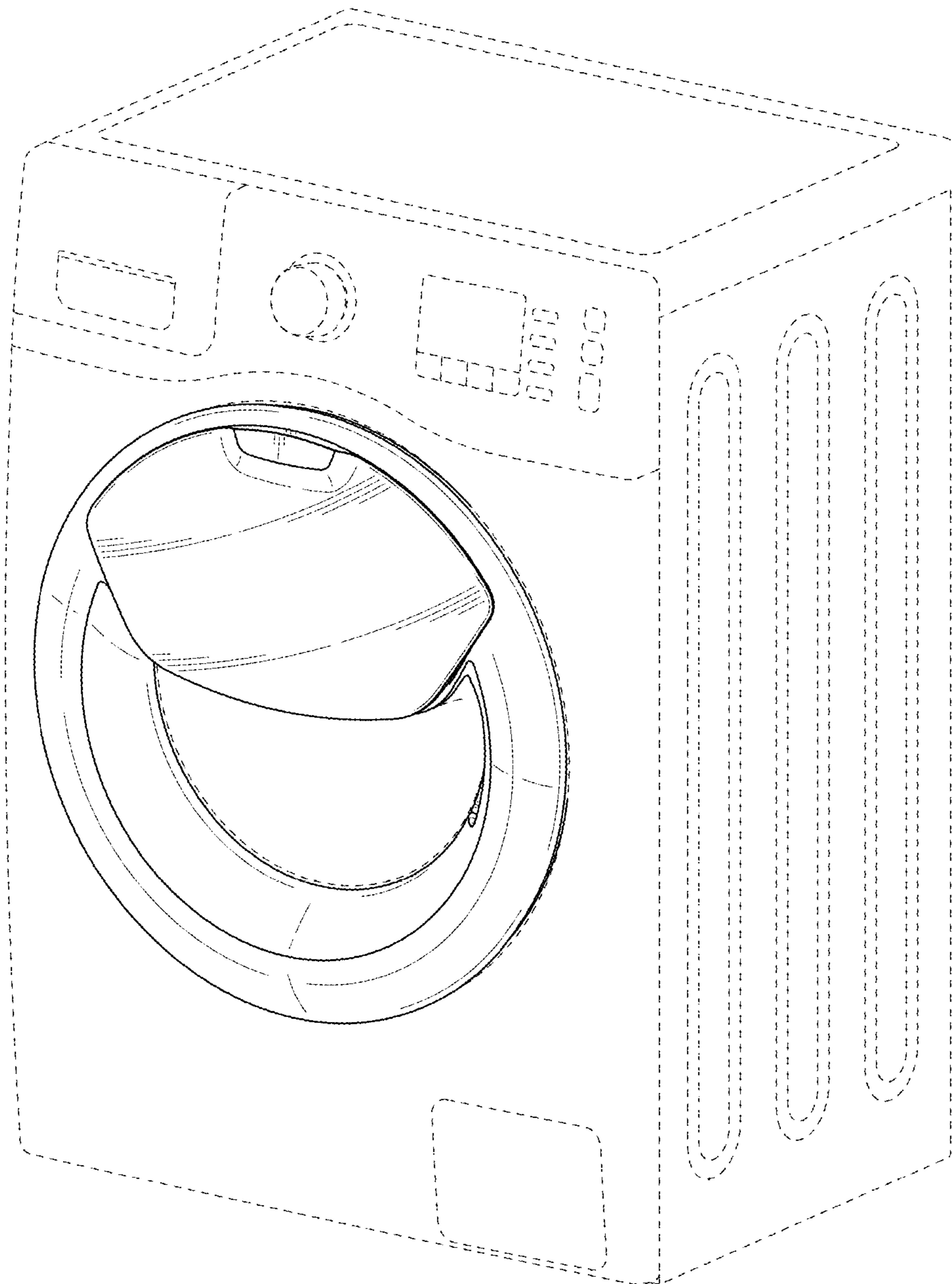


FIG. 2

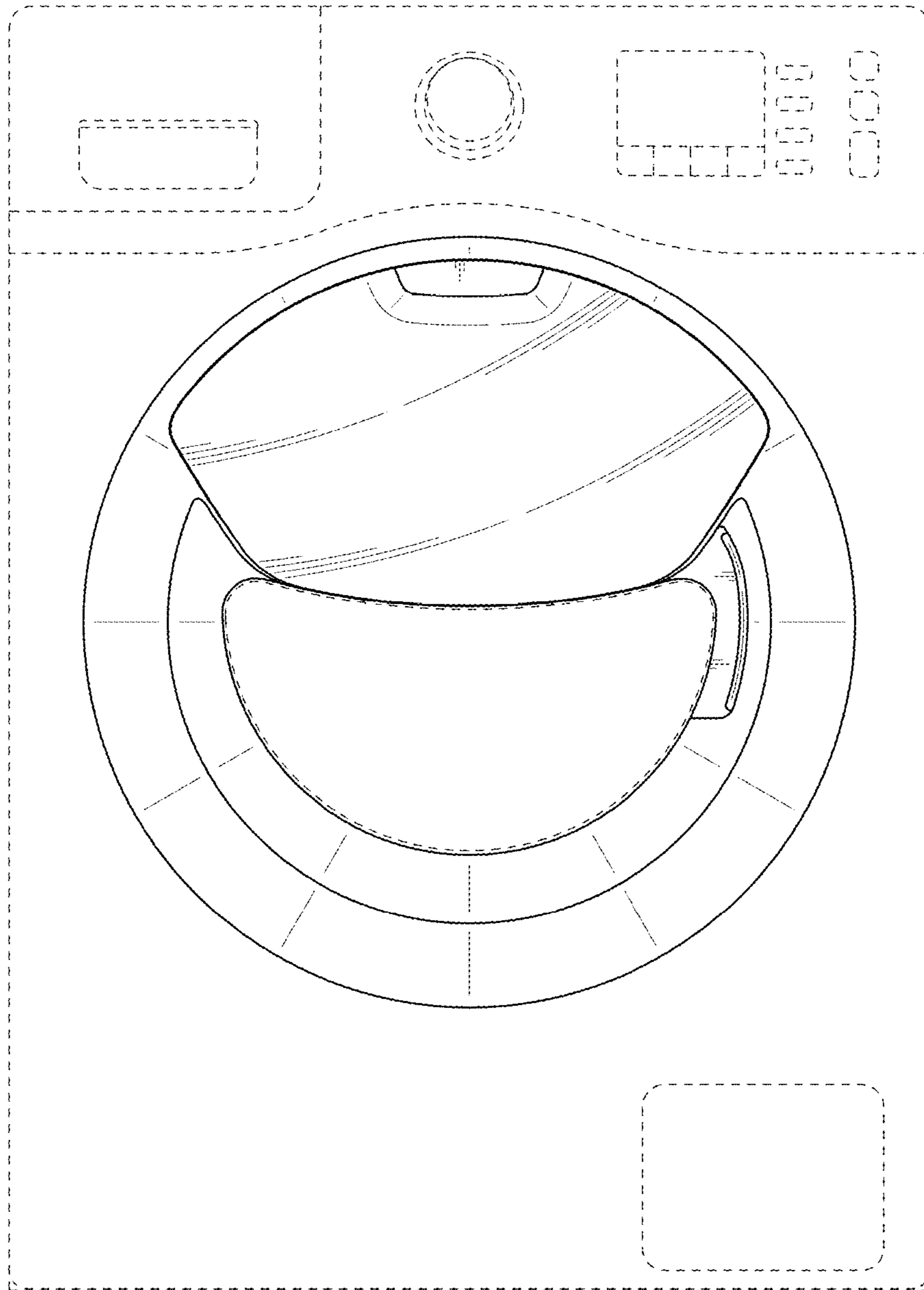


FIG. 3

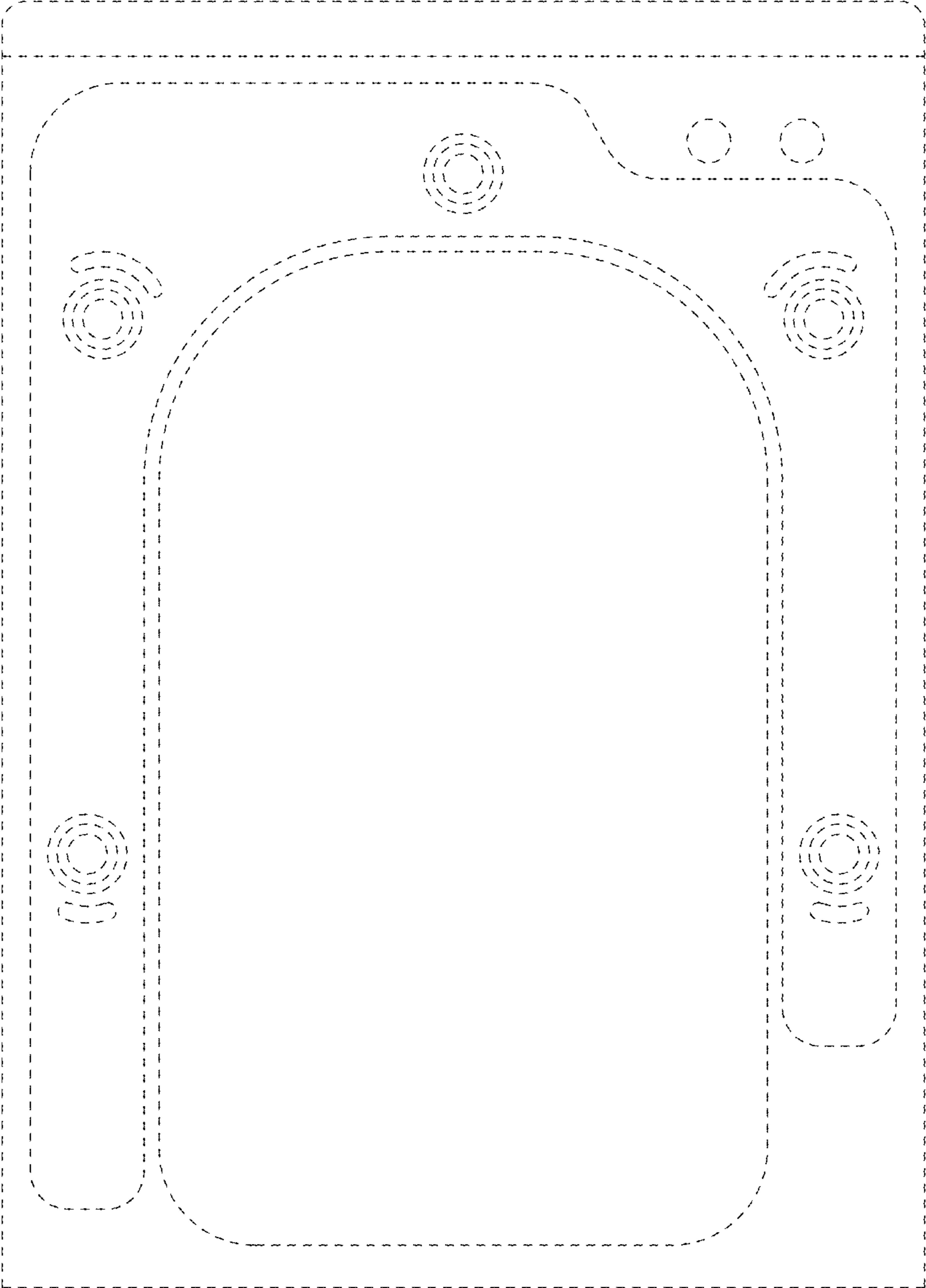


FIG. 4

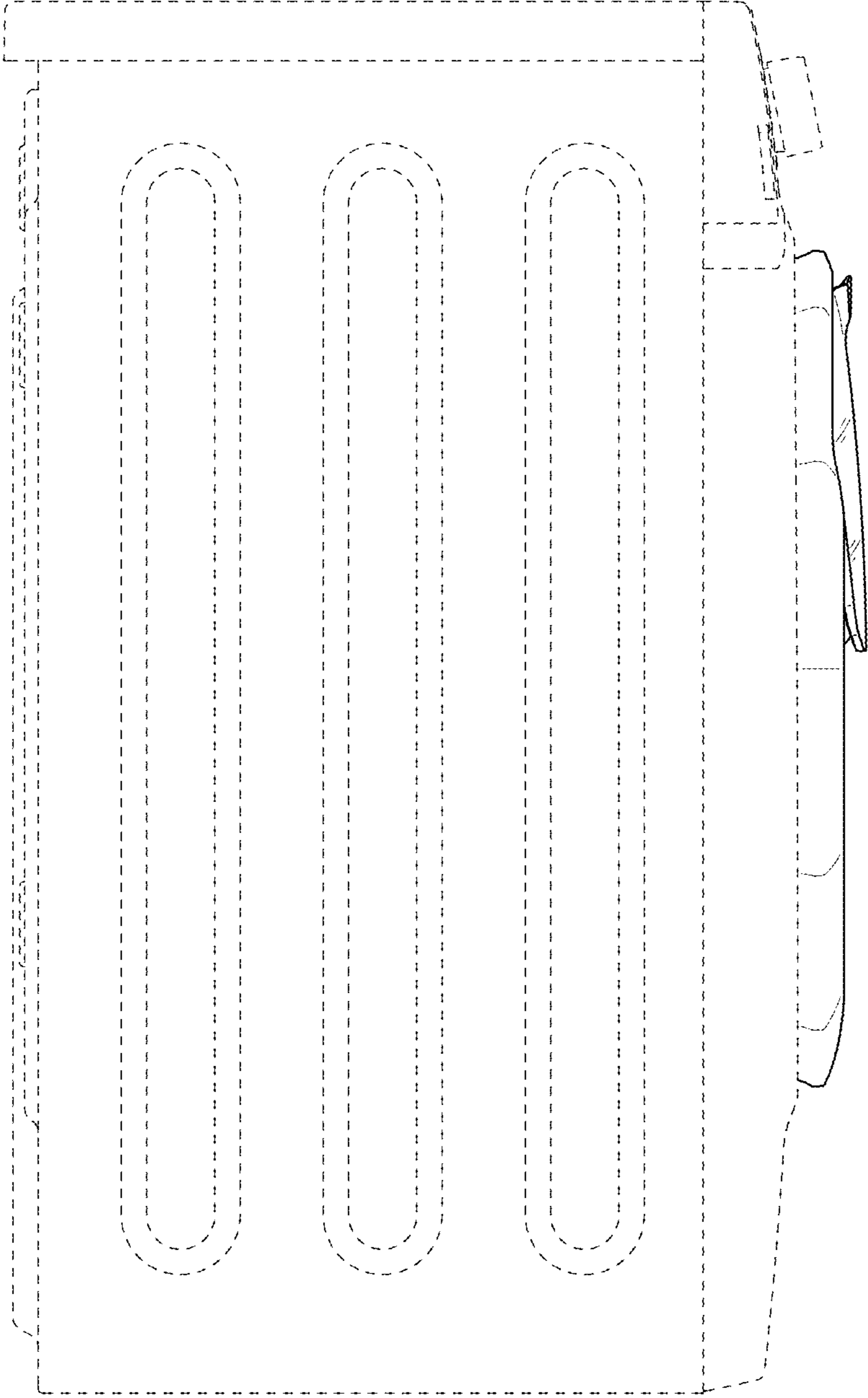


FIG. 5

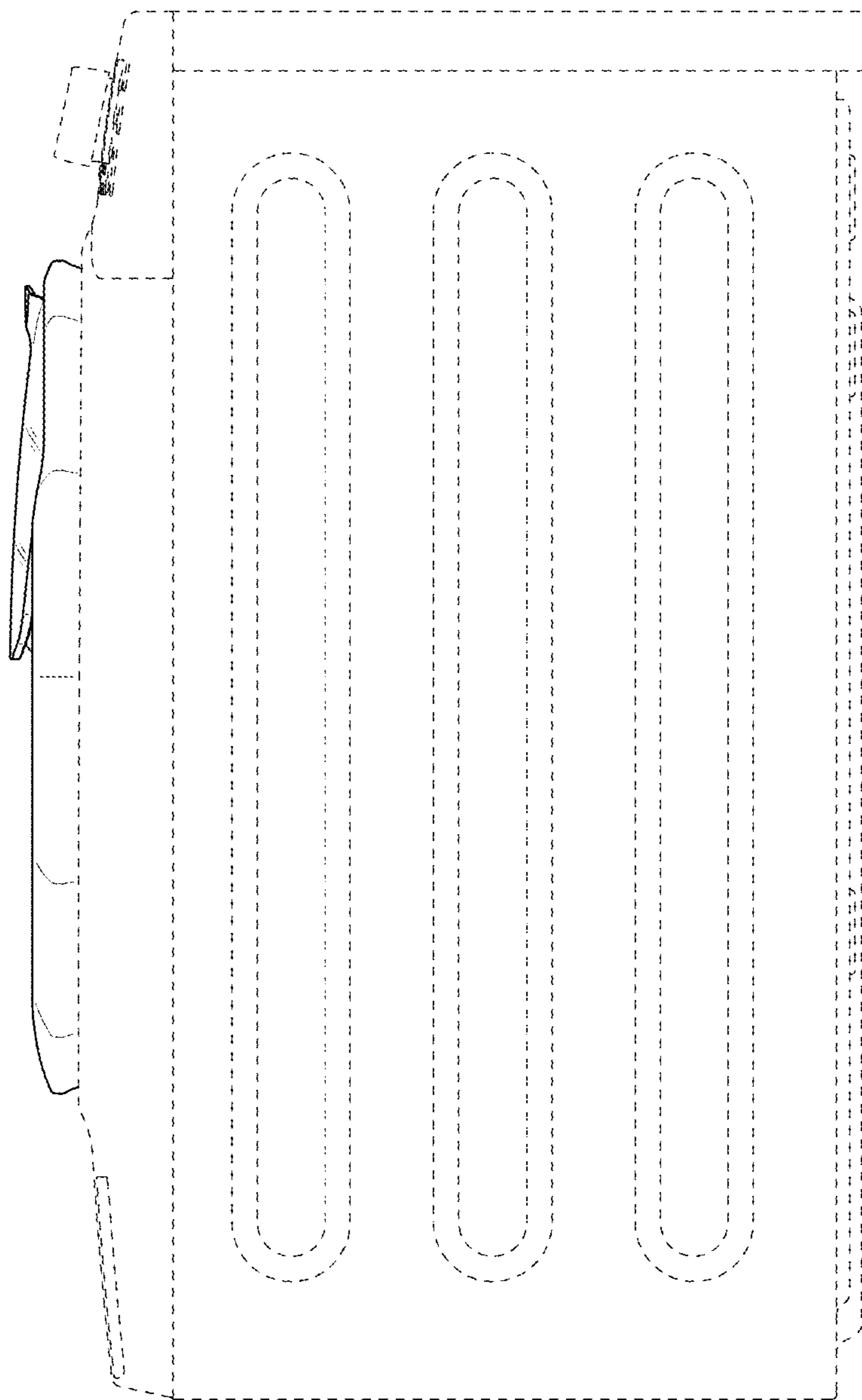




FIG. 6

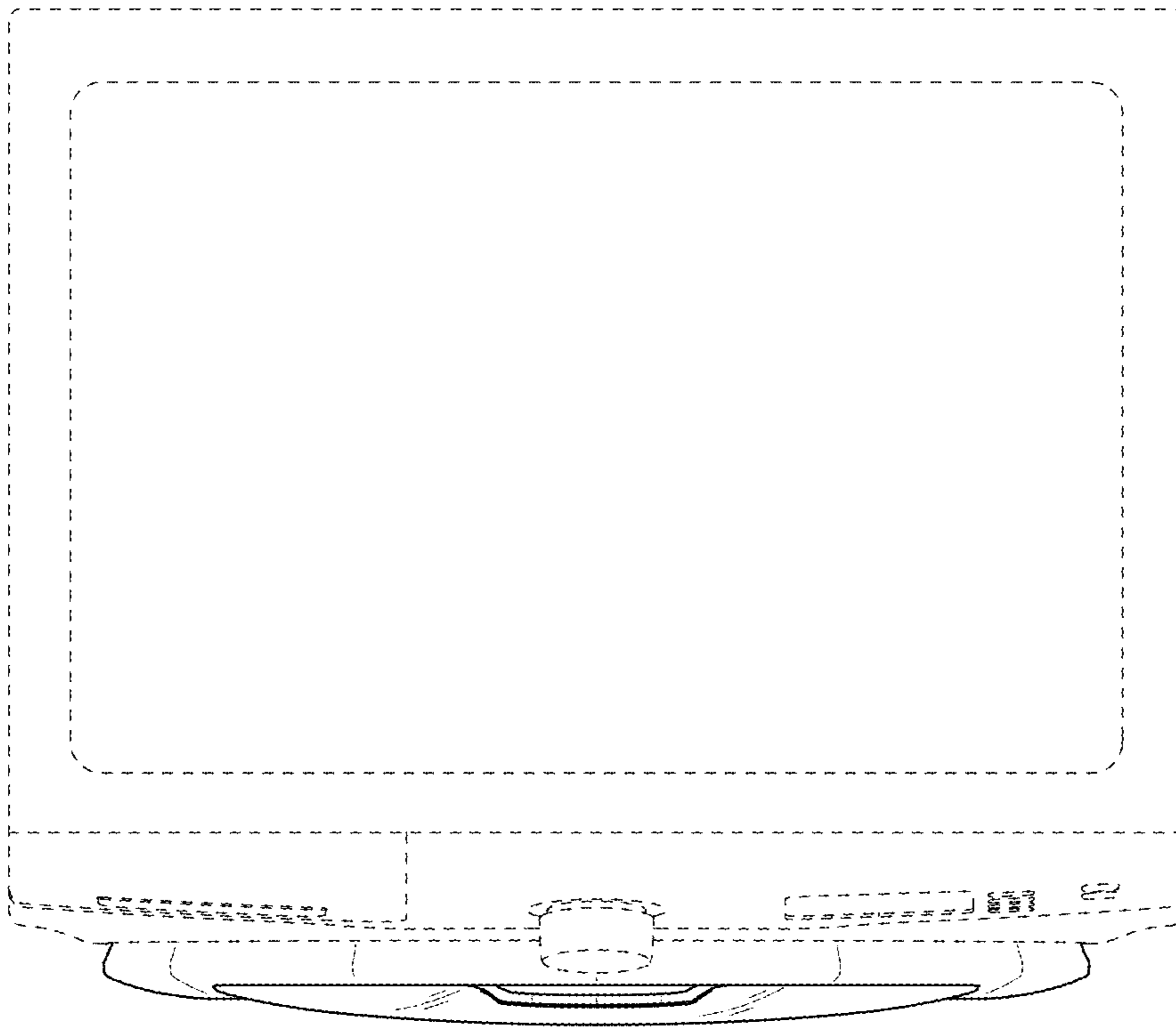


FIG. 7

