

US00D770695S

(12) **United States Design Patent** (10) **Patent No.:** **US D770,695 S**
Baumann et al. (45) **Date of Patent:** **** Nov. 1, 2016**

(54) **CLEANSING STATION FOR CLEANING ROTARY ATOMIZERS FOR PAINTING ROBOTS**

(71) Applicant: **Durr Systems GmbH**,
 Bietigheim-Bissingen (DE)

(72) Inventors: **Michael Baumann**, Flein (DE); **Sonja Brauchle**, Ludwigsburg (DE); **Thomas Buck**, Sachsenheim (DE); **Frank Herre**, Oberriexingen (DE); **Georg M. Sommer**, Ludwigsburg (DE); **Sandra Streckert**, Aspach (DE); **Andreas Fischer**, Ludwigsburg (DE); **Peter Marquardt**, Kleinbottwar (DE)

(73) Assignee: **Dürr Systems GmbH**,
 Bietigheim-Bissingen (DE)

(**) Term: **14 Years**

(21) Appl. No.: **29/508,489**

(22) Filed: **Nov. 6, 2014**

(30) **Foreign Application Priority Data**

May 7, 2014 (EP) 002459115-0004

(51) **LOC (10) Cl.** **15-05**

(52) **U.S. Cl.**
 USPC **D32/1**

(58) **Field of Classification Search**
 USPC D32/1, 4, 16, 21, 30, 35
 CPC B08B 1/007; B08B 1/04; B08B 3/00;
 B08B 3/024; B08B 3/026
 See application file for complete search history.

(56) **References Cited**

U.S. PATENT DOCUMENTS

2,362,634 A 11/1944 Houghton
 D276,472 S * 11/1984 Harrison D32/1
 D285,596 S 9/1986 Gimple

D298,372 S * 11/1988 Taylor, Jr. D32/1
 4,826,539 A * 5/1989 Harpold B08B 3/006
 101/423
 D396,523 S 7/1998 Adams
 D406,416 S * 3/1999 Chan D32/1
 5,949,209 A * 9/1999 Okamoto B25J 19/0079
 174/17 GF
 D459,036 S * 6/2002 Bredo D32/1
 D477,442 S * 7/2003 Christianson D32/1
 7,051,950 B2 * 5/2006 Giuliano B05B 5/1625
 15/3.5
 7,080,794 B2 * 7/2006 Baumann B05B 3/1035
 239/223
 D581,107 S * 11/2008 Schmon D32/1
 D588,231 S 3/2009 Pellin
 D593,262 S * 5/2009 Gong D24/217
 7,721,976 B2 * 5/2010 Nolte B05B 3/1014
 239/222.11
 D636,843 S 4/2011 Nolte
 D643,510 S 8/2011 Nolte

(Continued)

OTHER PUBLICATIONS

List of References in Related U.S. Appl. No. 29/508,493 mailed with Notice of Allowance on Nov. 13, 2015 (1 page).

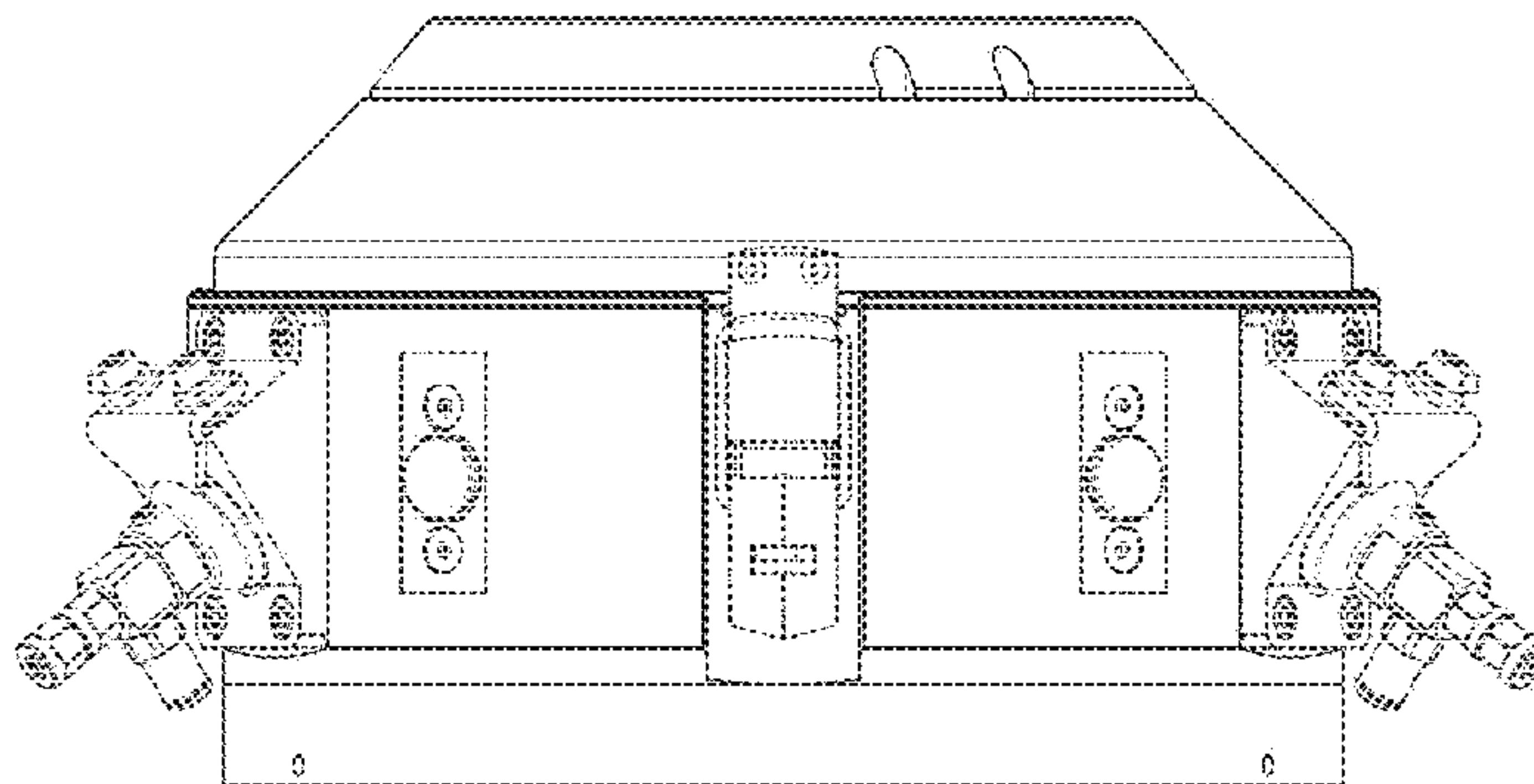
Primary Examiner — T. Chase Nelson
Assistant Examiner — Michelle E Wilson
 (74) *Attorney, Agent, or Firm* — Bejin Bieneman PLC

(57) **CLAIM**
 We claim the ornamental design for a cleansing station for cleaning rotary atomizers for painting robots, as shown and described.

DESCRIPTION

FIG. 1 is a side view of a cleansing station for cleaning rotary atomizers for painting robots;
 FIG. 2 is another side view of the cleansing station;
 FIG. 3 is another side view of the cleansing station;
 FIG. 4 is another side view of the cleansing station;
 FIG. 5 is top view of the cleansing station;
 FIG. 6 is a perspective view of the cleansing station; and,
 FIG. 7 is a bottom view of the cleansing station.
 Portions of the cleansing station shown in broken lines form no part of the claimed invention.

1 Claim, 5 Drawing Sheets



(56)

References Cited

U.S. PATENT DOCUMENTS

8,051,796 B2 11/2011 Clifford
D656,538 S * 3/2012 Herre D18/56
D683,086 S * 5/2013 Wormely D32/1
D688,743 S * 8/2013 Herre D18/56
D688,839 S * 8/2013 Helm D32/1
D699,283 S * 2/2014 Herre D18/56

8,662,416 B2 3/2014 Kuroda
8,875,593 B2 11/2014 Collmer
D728,174 S * 4/2015 Hedegaard D32/1
D731,125 S * 6/2015 Wiekens D32/1
D731,707 S * 6/2015 Grabes D28/44
D733,369 S * 6/2015 Tschan D32/1
D734,571 S * 7/2015 Tschan D32/1
9,140,247 B2 * 9/2015 Herre B05B 9/0403

* cited by examiner

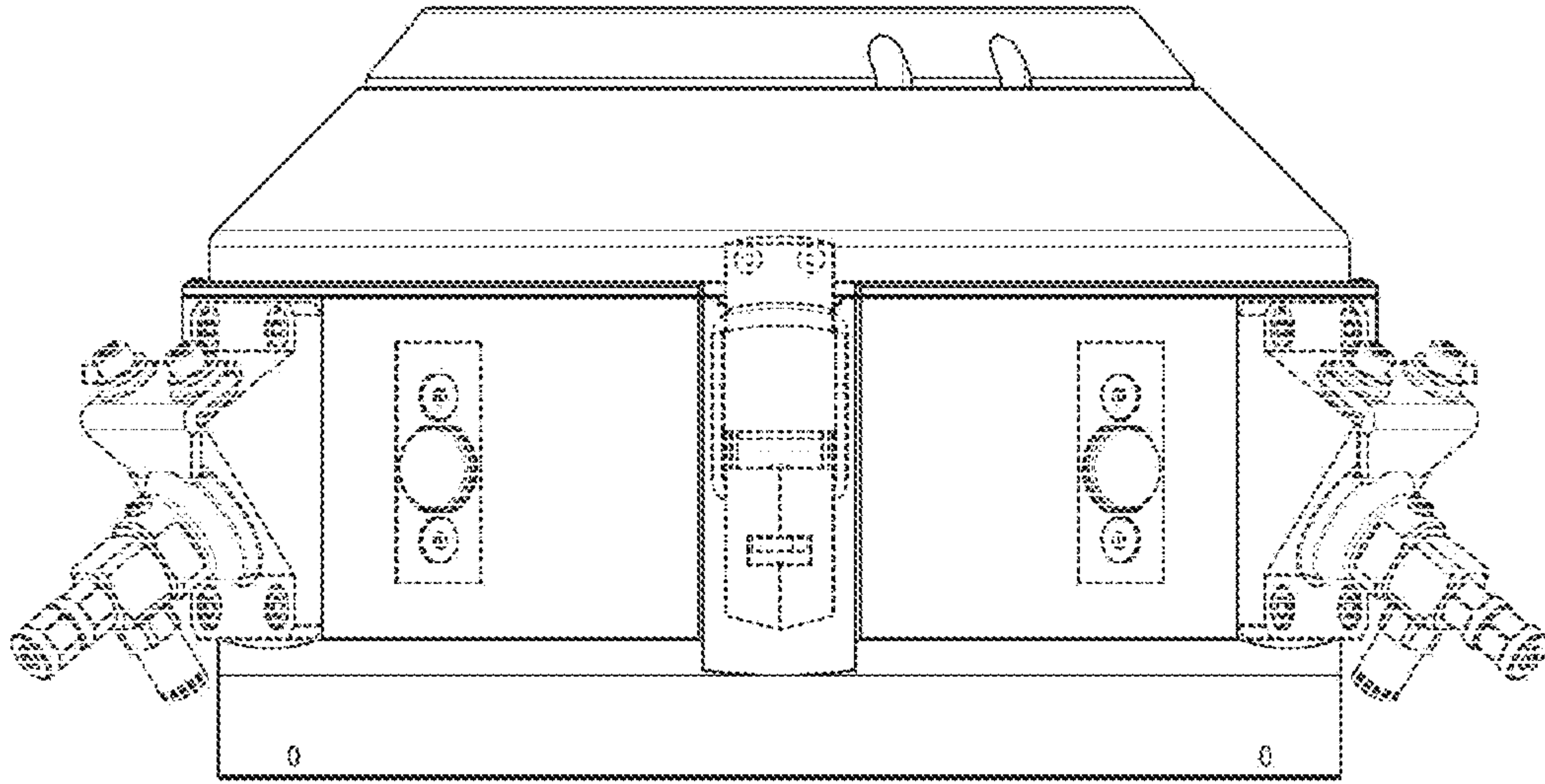


FIG. 1

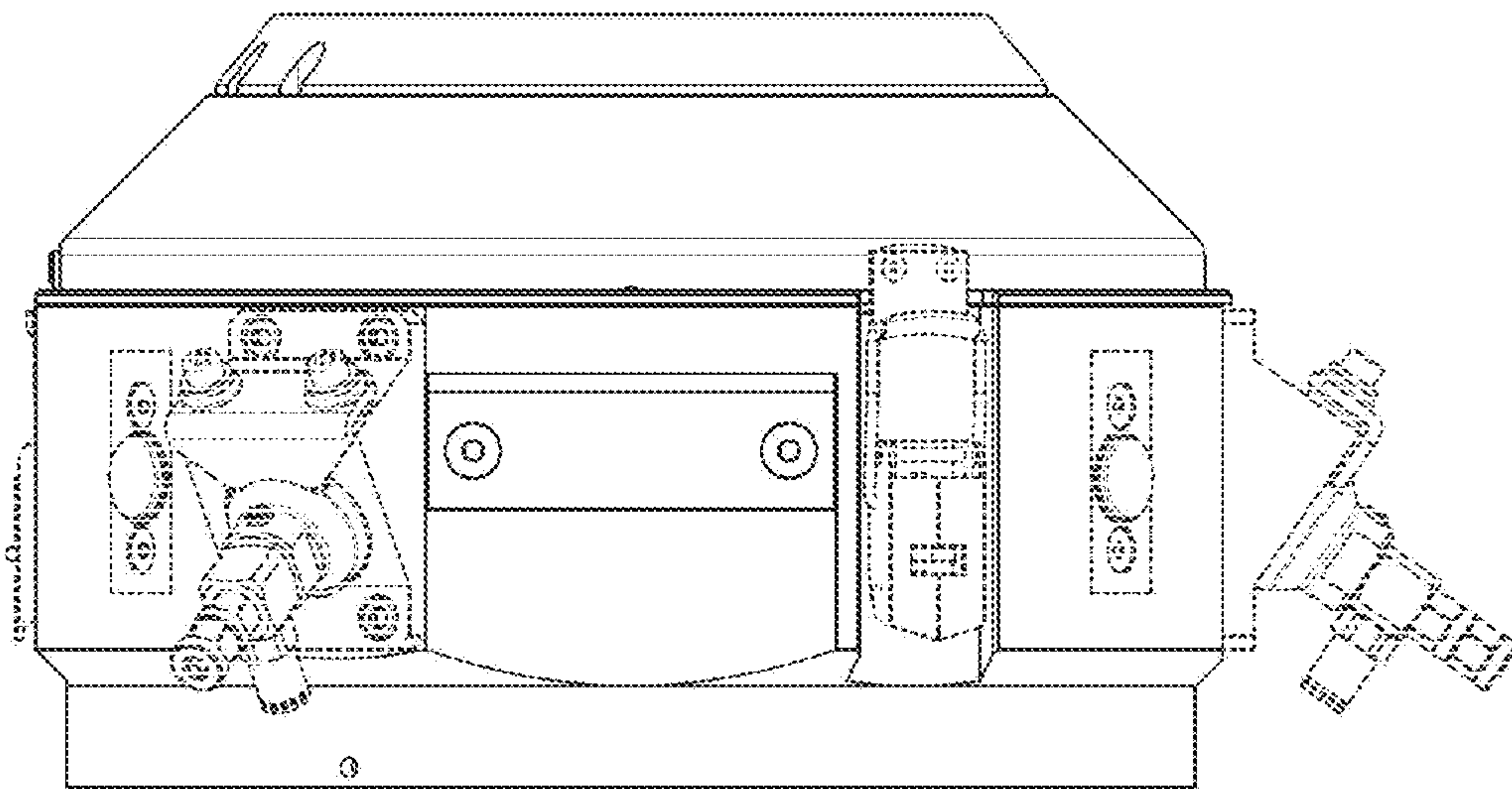


FIG. 2

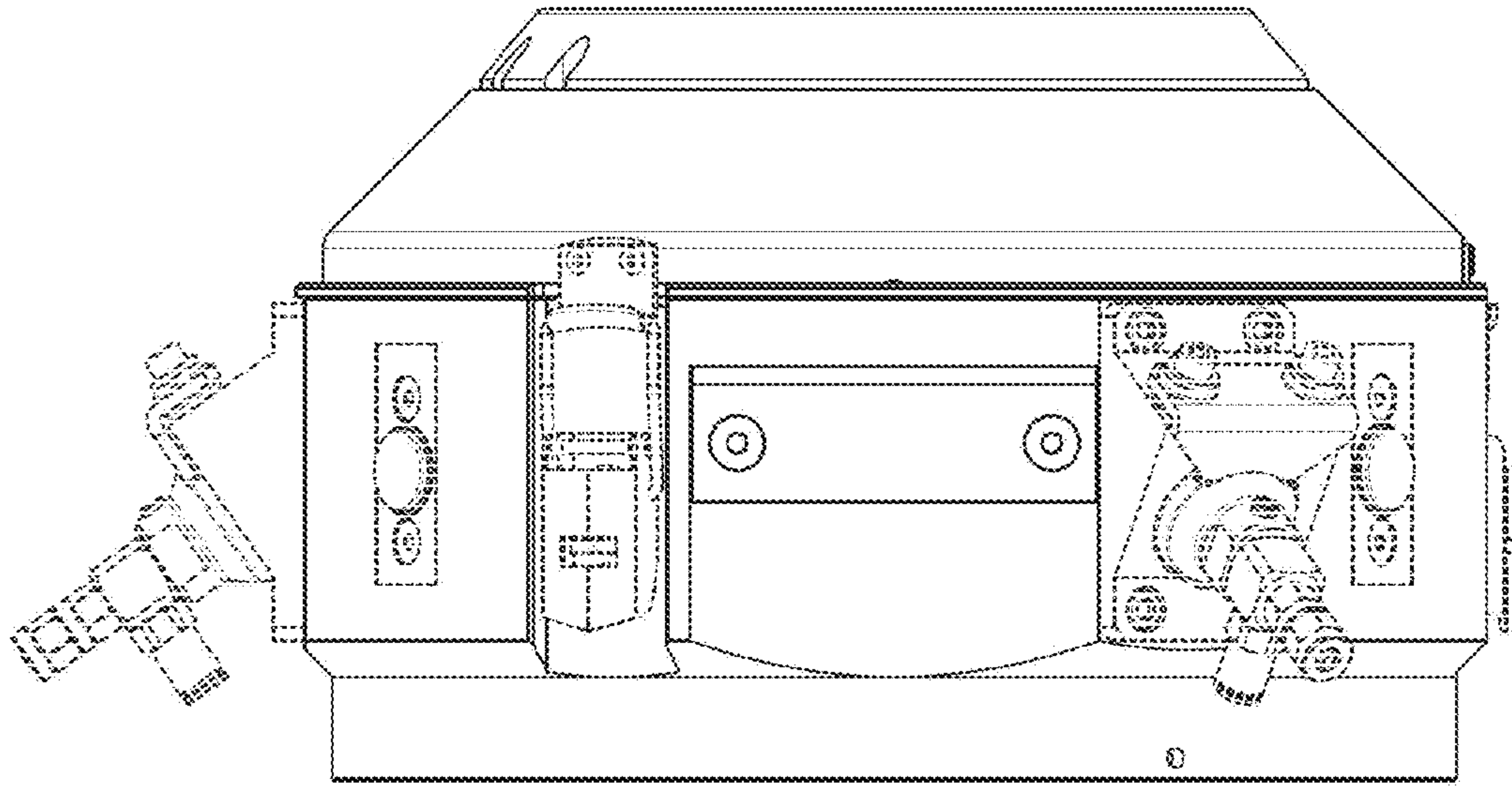


FIG. 3

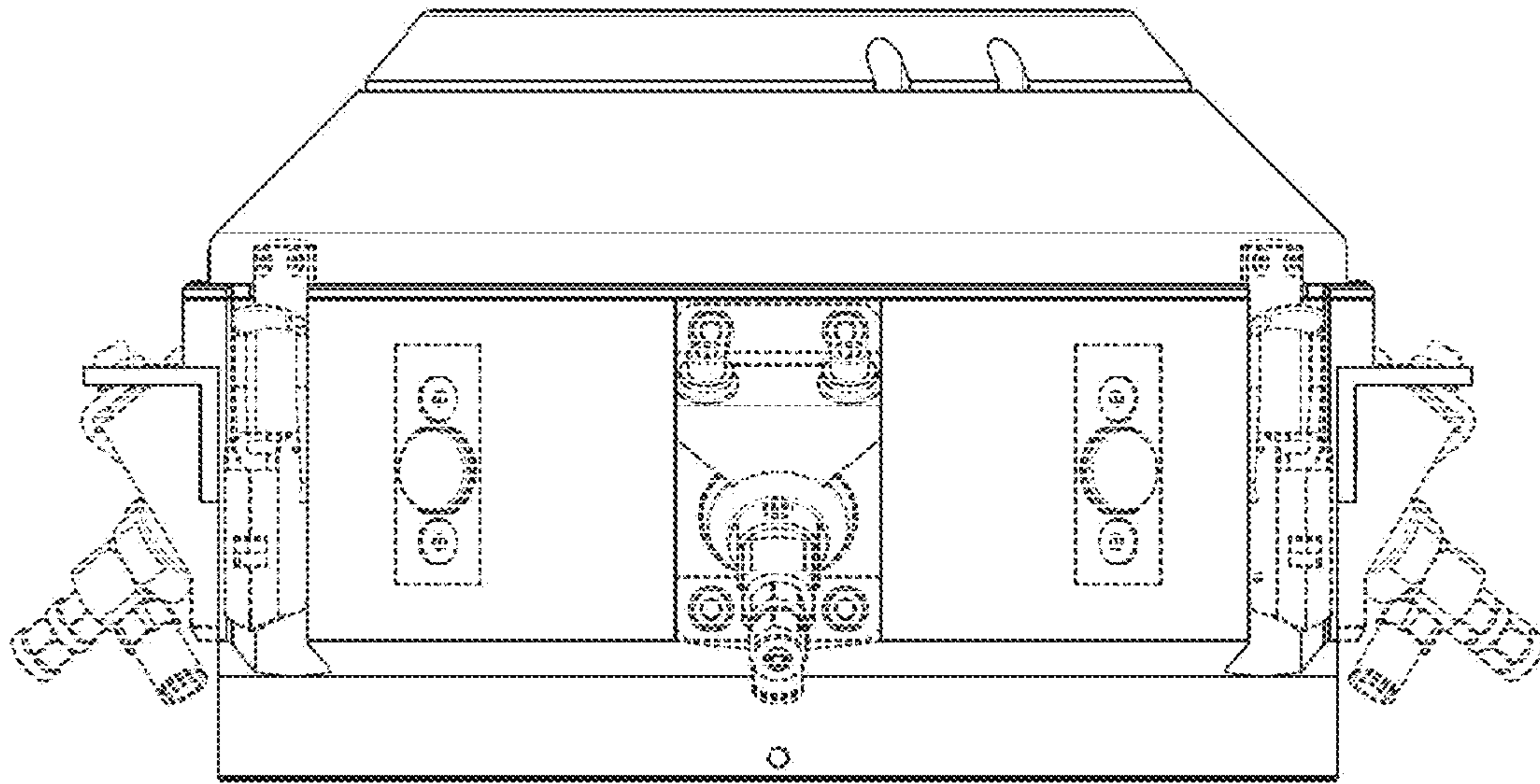


FIG. 4

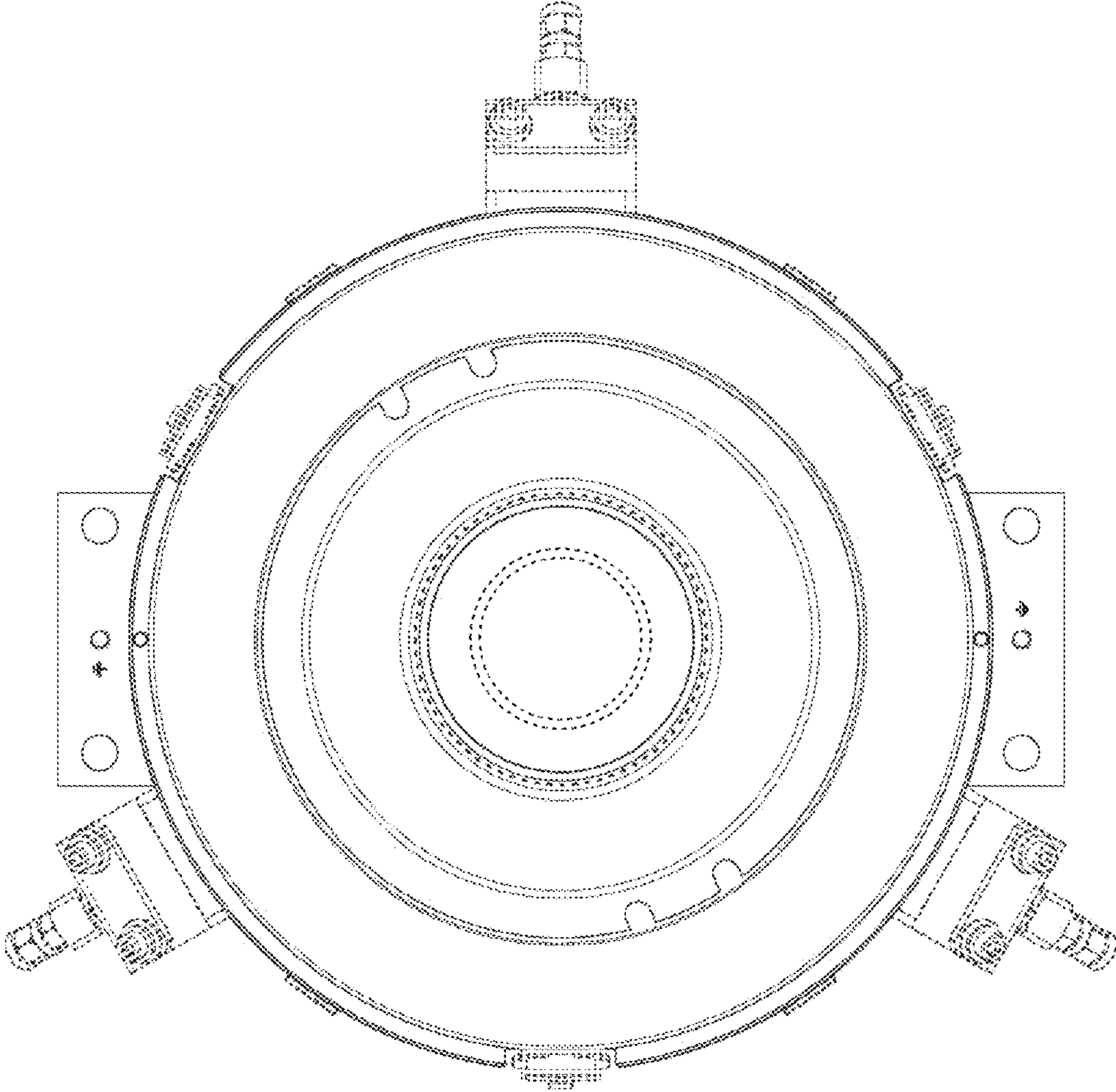


FIG. 5

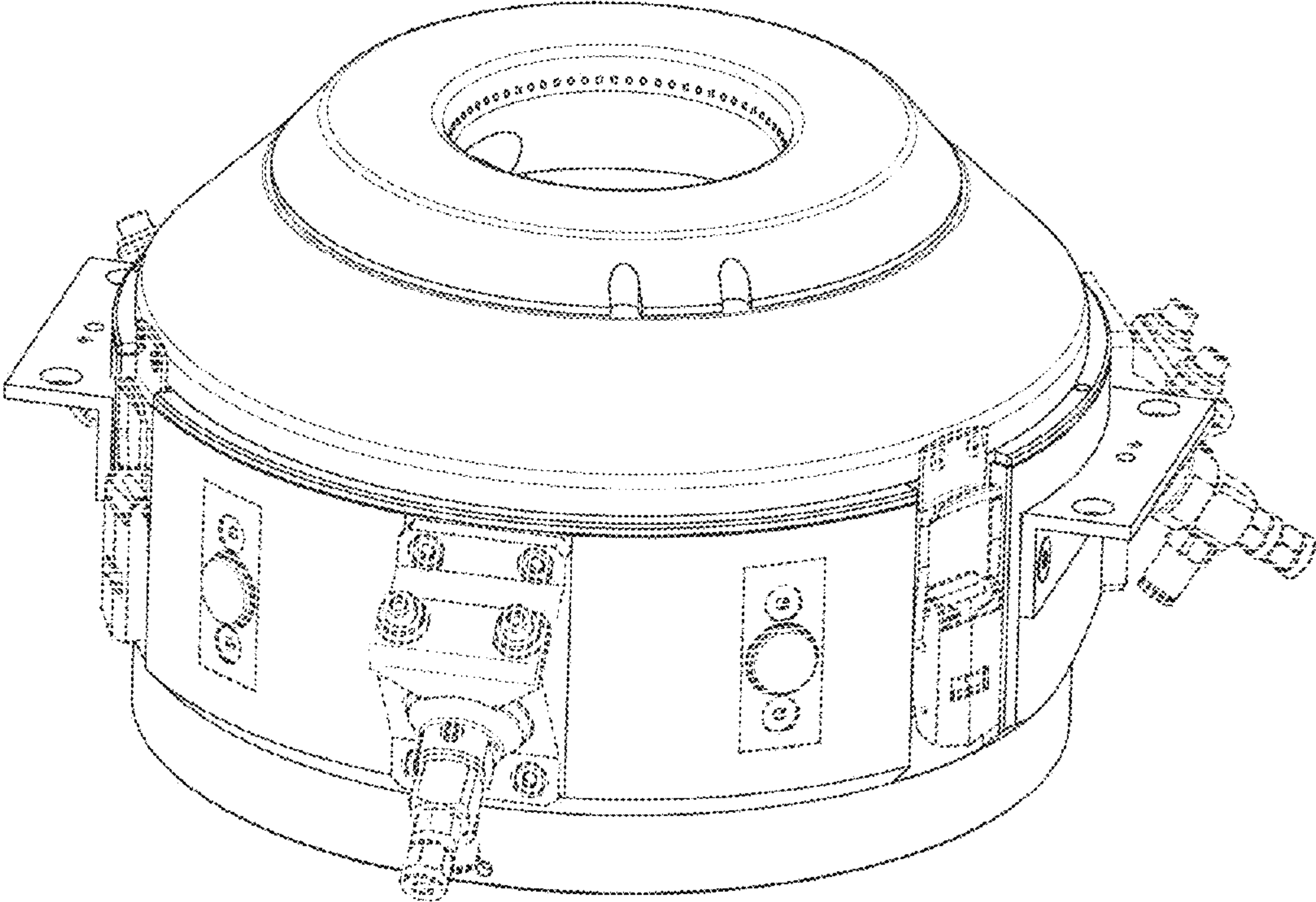


FIG. 6

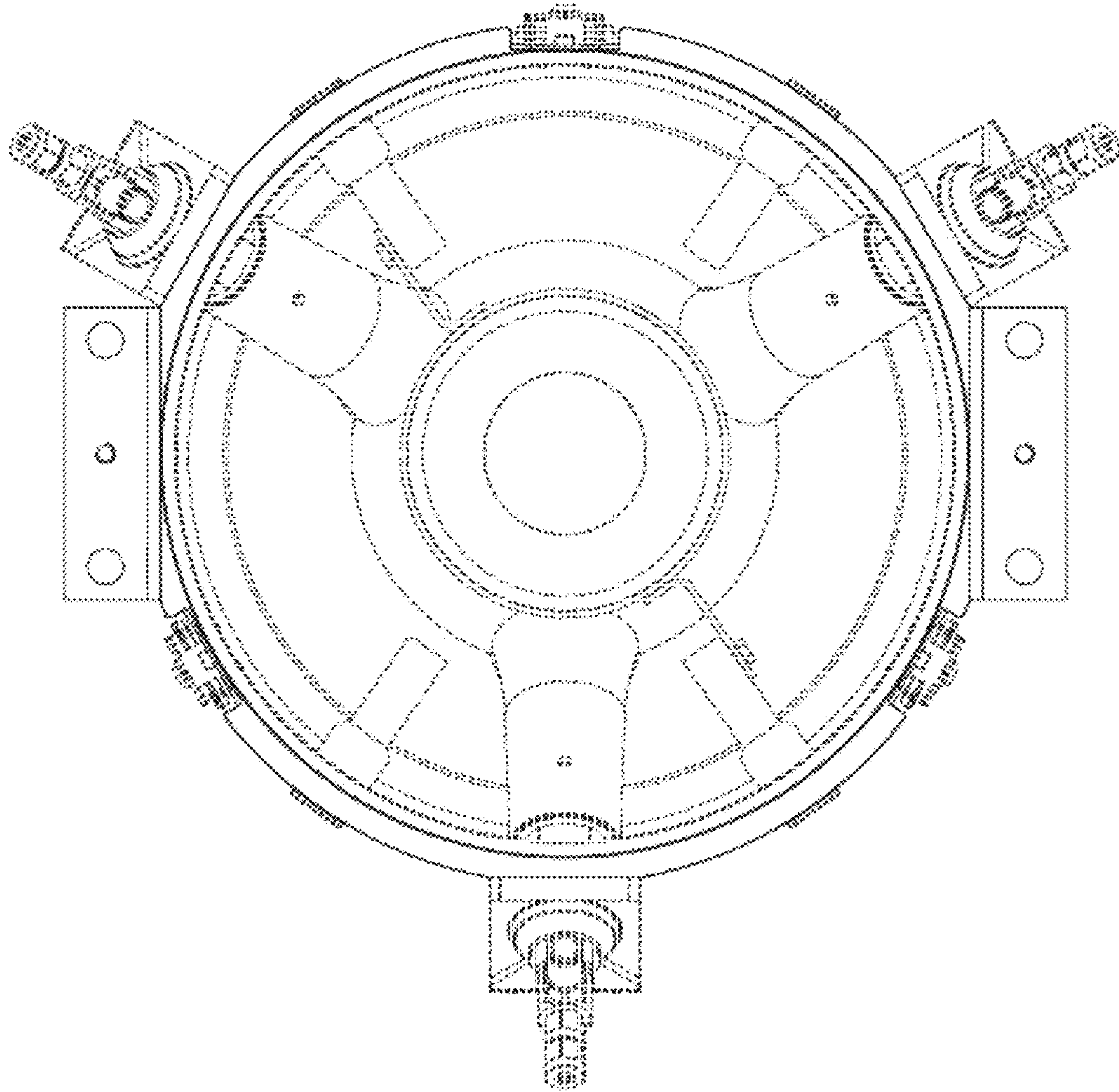


FIG. 7