



US00D770694S

(12) **United States Design Patent**
Beilinson

(10) **Patent No.:** **US D770,694 S**
(45) **Date of Patent:** **** Nov. 1, 2016**

- (54) **PET WASH ENCLOSURE**
- (71) Applicant: **Rabbeco, Inc.**, Cleveland, OH (US)
- (72) Inventor: **Michael Beilinson**, Orange Village, OH (US)
- (73) Assignee: **RABBECO, INC.**, Cleveland, OH (US)
- (**) Term: **15 Years**

4,407,234 A * 10/1983 Kleman A01K 13/001
119/672
D285,346 S * 8/1986 Sween 4/555
4,881,281 A * 11/1989 Lavoine A47K 3/074
4/572.1
5,193,487 A * 3/1993 Vogel A01K 13/001
119/671
5,213,064 A * 5/1993 Mondine A01K 13/001
119/671

(Continued)

- (21) Appl. No.: **29/533,964**
- (22) Filed: **Jul. 23, 2015**
- (51) **LOC (10) Cl.** **30-99**
- (52) **U.S. Cl.**
USPC **D30/158; D30/199**
- (58) **Field of Classification Search**
USPC D30/158, 199, 151; 43/1, 2; 135/901;
280/47.3, 30, 47.18, 7.12, 8, 47.29,
280/652, 40, 47.24, 655, 653, 9.4, 47.315,
280/640, 43.1, 47.25; D22/199; 297/129,
297/16.2; D34/24, 16, 12; 5/626, 627, 600,
5/93.1, 97; 452/194, 185; 119/671, 676,
119/675, 673, 677, 603, 606, 665;
D23/277-279, 280.2, 280.4; 4/572.1,
4/546, 554, 641, 555, 573.1, 567, 539;
239/307
CPC A01K 13/001; A61D 11/00
See application file for complete search history.

OTHER PUBLICATIONS

Brochure for "Home Pet Spa" (circa 2009).

Primary Examiner — Susan Moon Lee

(74) *Attorney, Agent, or Firm* — Pearne & Gordon LLP

(57) **CLAIM**

The ornamental design for a pet wash enclosure, as shown and described.

DESCRIPTION

FIG. 1 is a top, front perspective view of the pet wash enclosure.

FIG. 2 is a top, front perspective view of the pet wash enclosure of FIG. 1 shown with an illustrative example of a splash guard cover placed over the top of the pet wash enclosure.

FIG. 3 is a front view of the pet wash enclosure.

FIG. 4 is a right side view of the pet wash enclosure.

FIG. 5 is a rear view of the pet wash enclosure.

FIG. 6 is a left side view of the pet wash enclosure.

FIG. 7 is top view of the pet wash enclosure; and,

FIG. 8 is a bottom view of the pet wash enclosure.

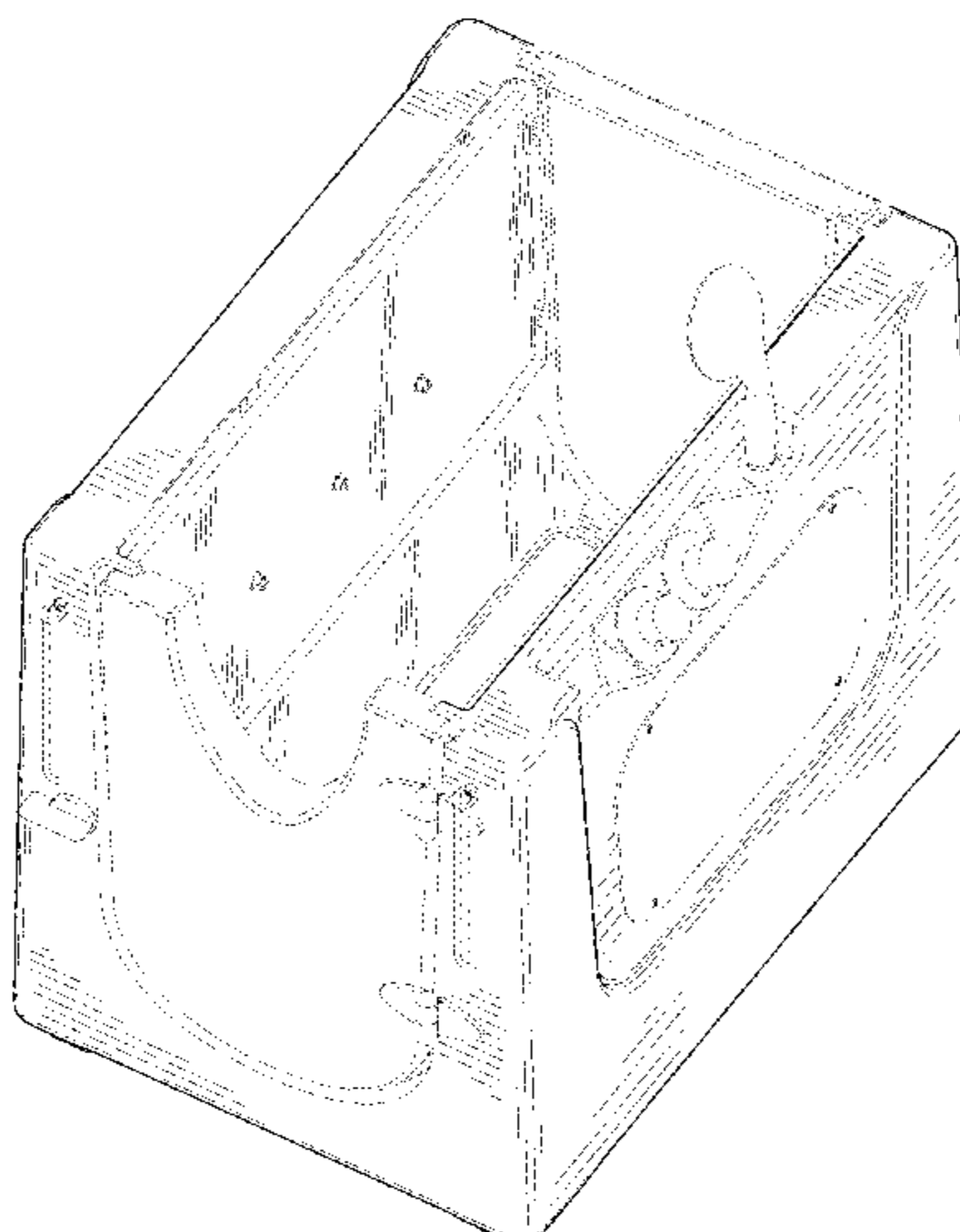
The broken line showing of a splash guard cover in the FIG. 2 drawing is merely exemplary of a potential component that might be used in conjunction with the pet wash enclosure and forms no part of the claimed design. Broken lines and unshaded areas contained within broken lines depict portions of the pet wash enclosure that form no part of the claimed design.

(56) **References Cited**

U.S. PATENT DOCUMENTS

- 3,371,354 A * 3/1968 Hayslett A47K 3/006
4/556
- 3,742,965 A * 7/1973 Hudziak A47L 17/02
134/115 R
- 3,941,092 A * 3/1976 Winters A01K 13/001
119/497
- 4,056,078 A * 11/1977 Blafford A01K 13/001
119/500
- 4,057,032 A * 11/1977 Dimitriadis A61D 11/00
119/671

1 Claim, 8 Drawing Sheets



(56)

References Cited

U.S. PATENT DOCUMENTS

5,243,931 A * 9/1993 McDonough A01K 27/002
119/671
D346,466 S * 4/1994 Puntervold, Sr. D23/280.1
5,448,966 A * 9/1995 McKinnon A61D 11/00
119/676
5,711,252 A * 1/1998 Brandolino A01K 13/001
119/498
5,826,538 A * 10/1998 Roybal A01K 5/0291
119/51.12
5,845,604 A * 12/1998 Cucchi A01K 13/001
119/673
6,101,642 A * 8/2000 Auten A47K 3/002
4/546
6,237,537 B1 * 5/2001 Winchester A01K 13/001
119/673
6,425,347 B1 * 7/2002 Bogner A61D 3/00
119/315
6,971,333 B1 * 12/2005 Hearrell A01K 1/0245
119/473
7,107,937 B1 * 9/2006 Anderson A01K 13/001
119/665
D605,818 S * 12/2009 Farley D30/158
7,913,652 B1 * 3/2011 Lutz A01K 13/001
119/674
8,069,821 B1 * 12/2011 Green A01K 13/001
119/671

D653,818 S * 2/2012 Schetlin D30/158
2006/0102097 A1 * 5/2006 Price A01K 13/001
119/671
2007/0074674 A1 * 4/2007 Miller A01K 13/001
119/671
2007/0095301 A1 * 5/2007 Boylan A01K 13/001
119/676
2009/0008405 A1 * 1/2009 Mathus B01L 3/505
221/197
2009/0173286 A1 * 7/2009 Schetlin A01K 13/001
119/606
2011/0017147 A1 * 1/2011 Petruzzi A01K 13/001
119/604
2011/0061602 A1 * 3/2011 Moharram A01K 13/001
119/651
2011/0297103 A1 * 12/2011 Iou A01K 13/001
119/676
2012/0048209 A1 * 3/2012 Tarbutton A01K 13/001
119/673
2014/0352053 A1 * 12/2014 Conohan A01K 13/001
4/559
2015/0366163 A1 * 12/2015 Carter A01K 13/001
119/678
2016/0135428 A1 * 5/2016 Nicholson A01K 13/003
119/604
2016/0157463 A1 * 6/2016 Kaneda A01K 13/001
119/603

* cited by examiner

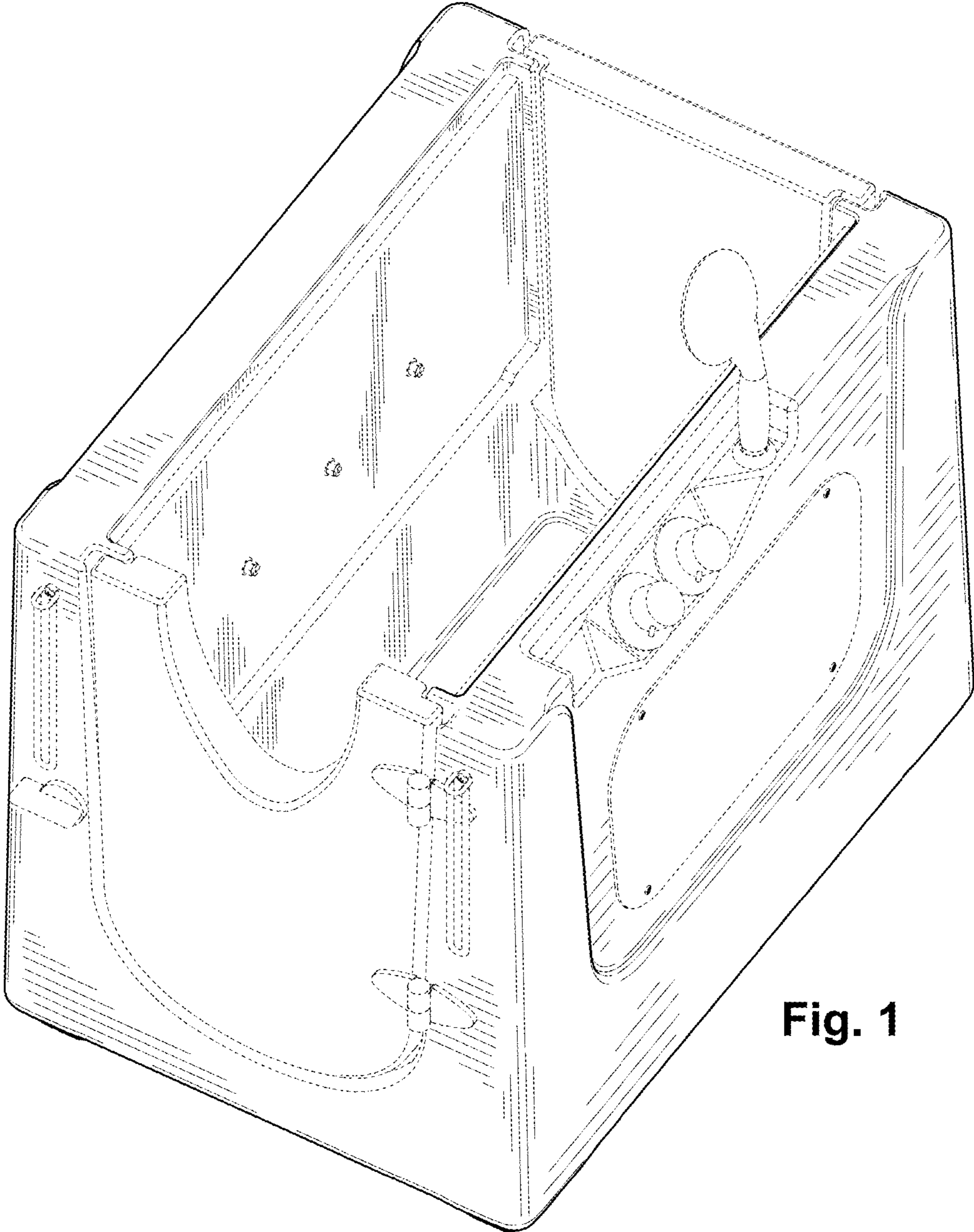


Fig. 1

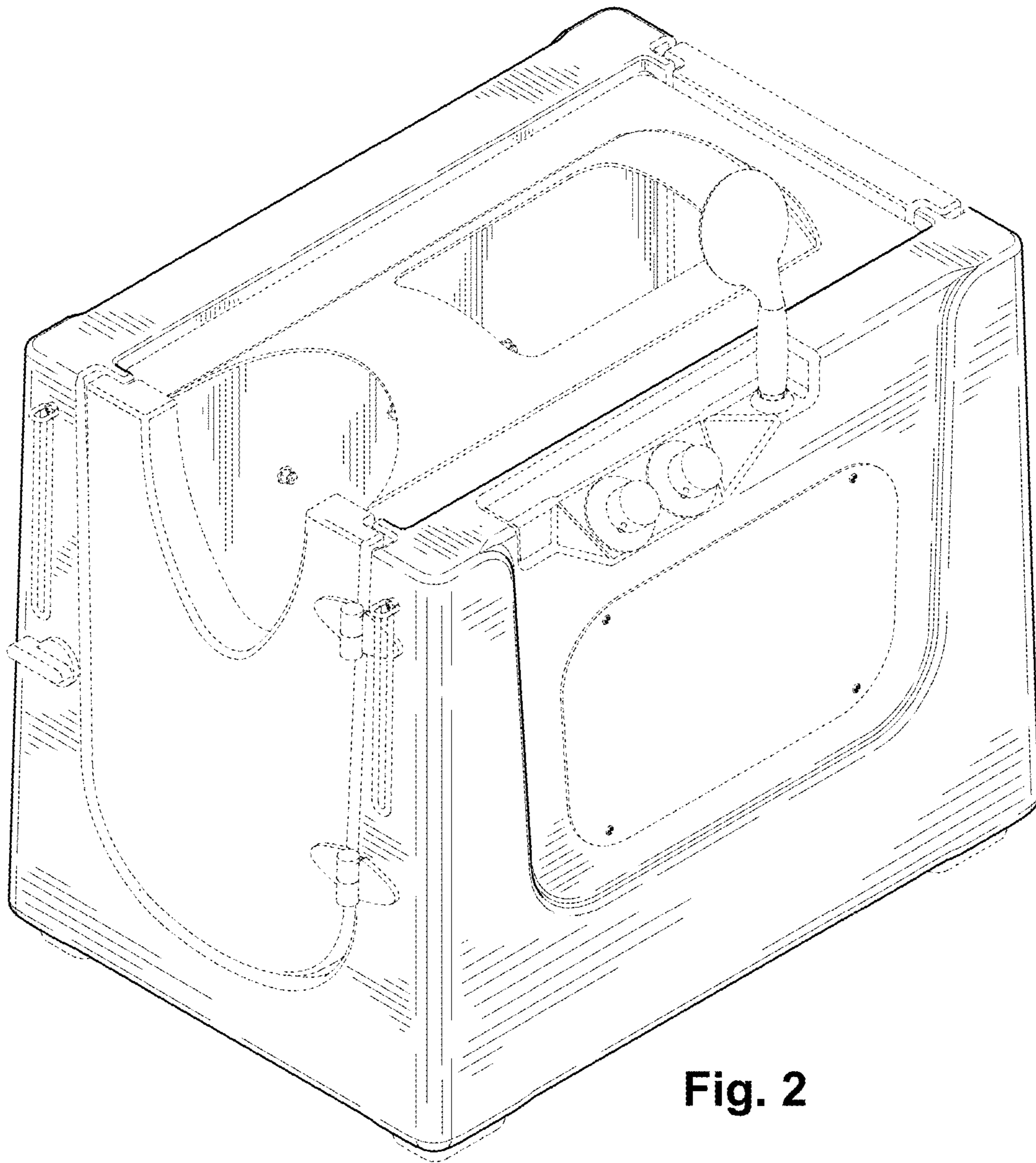


Fig. 2

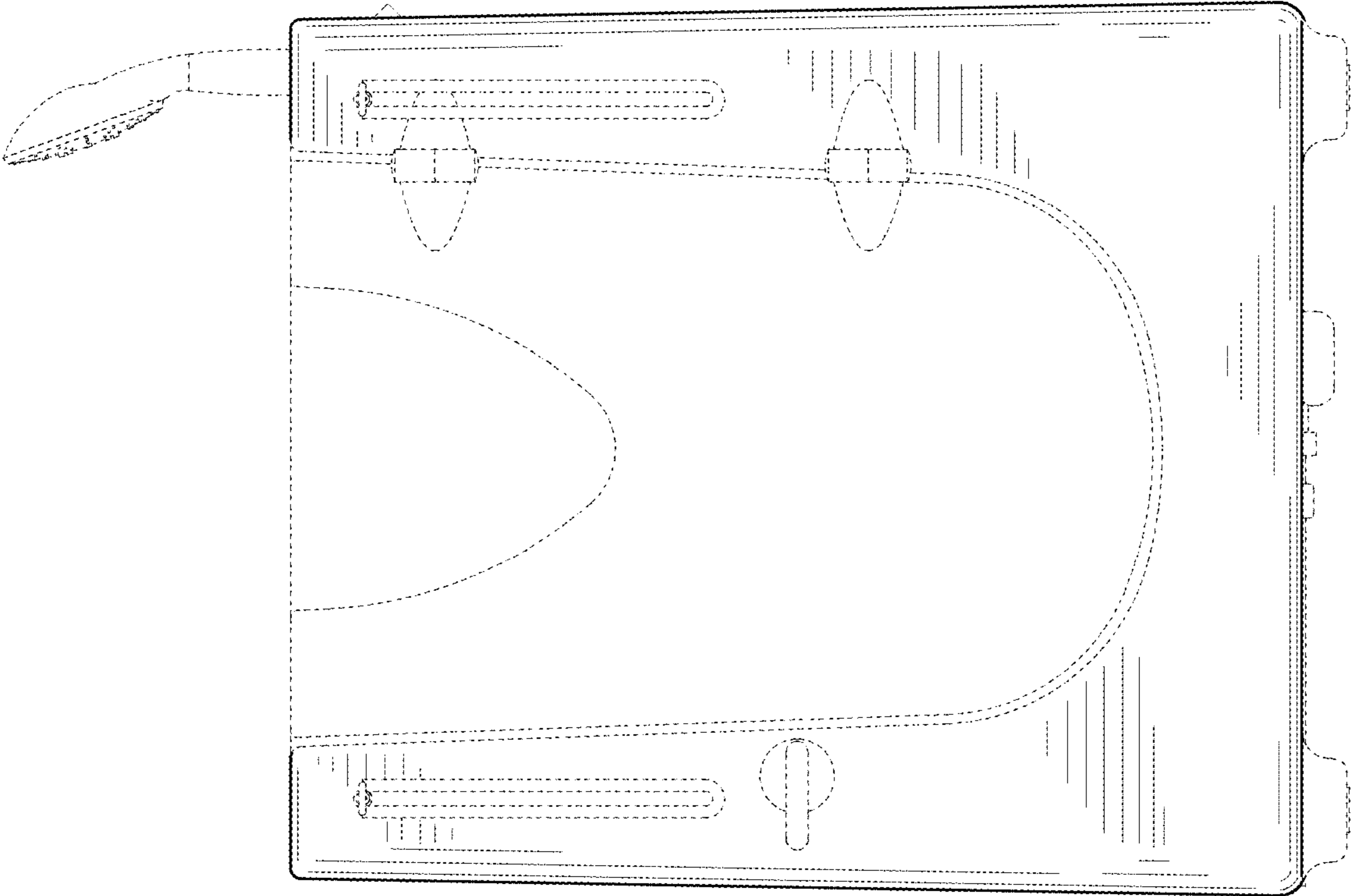


Fig. 3

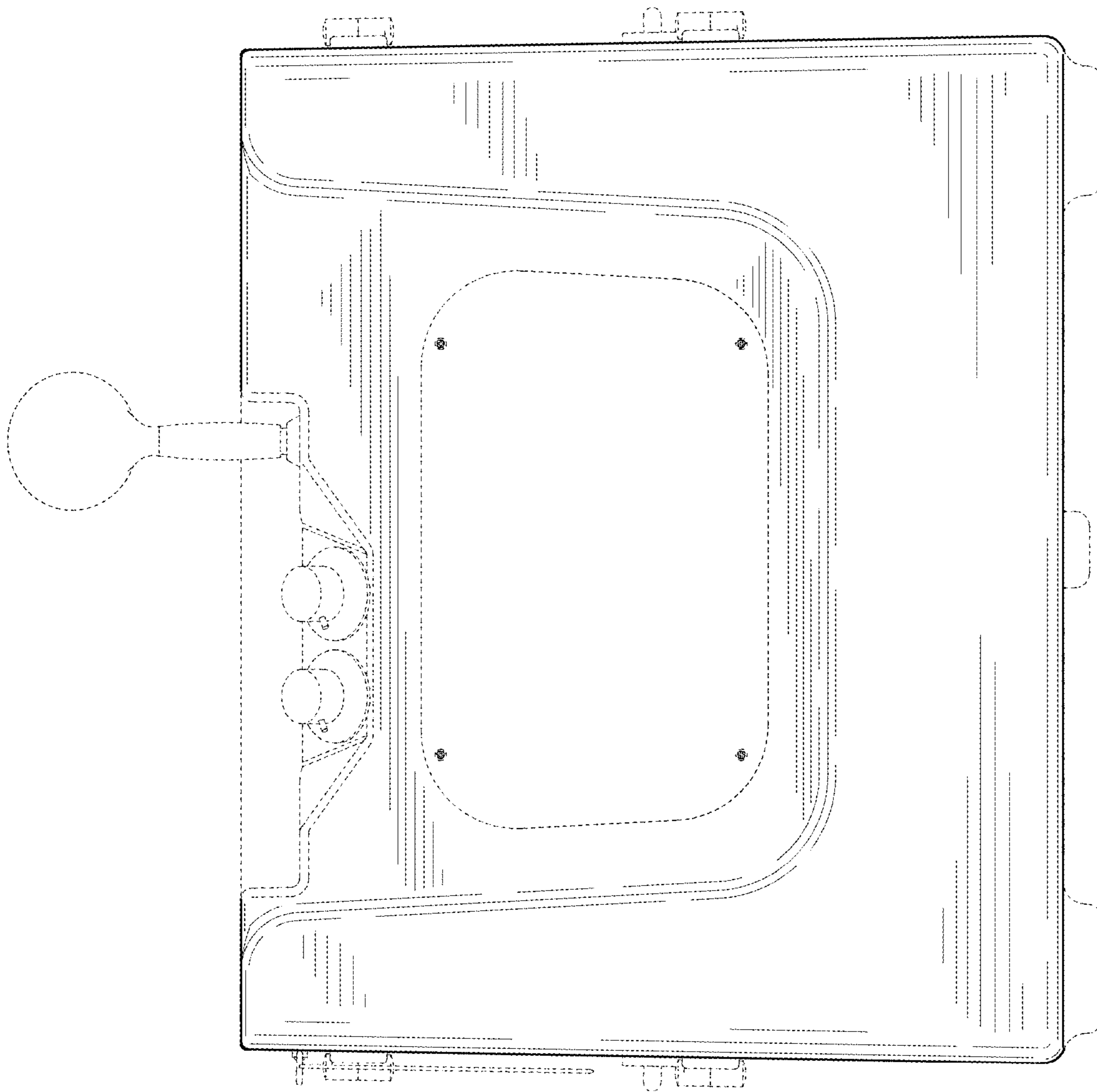


Fig. 4

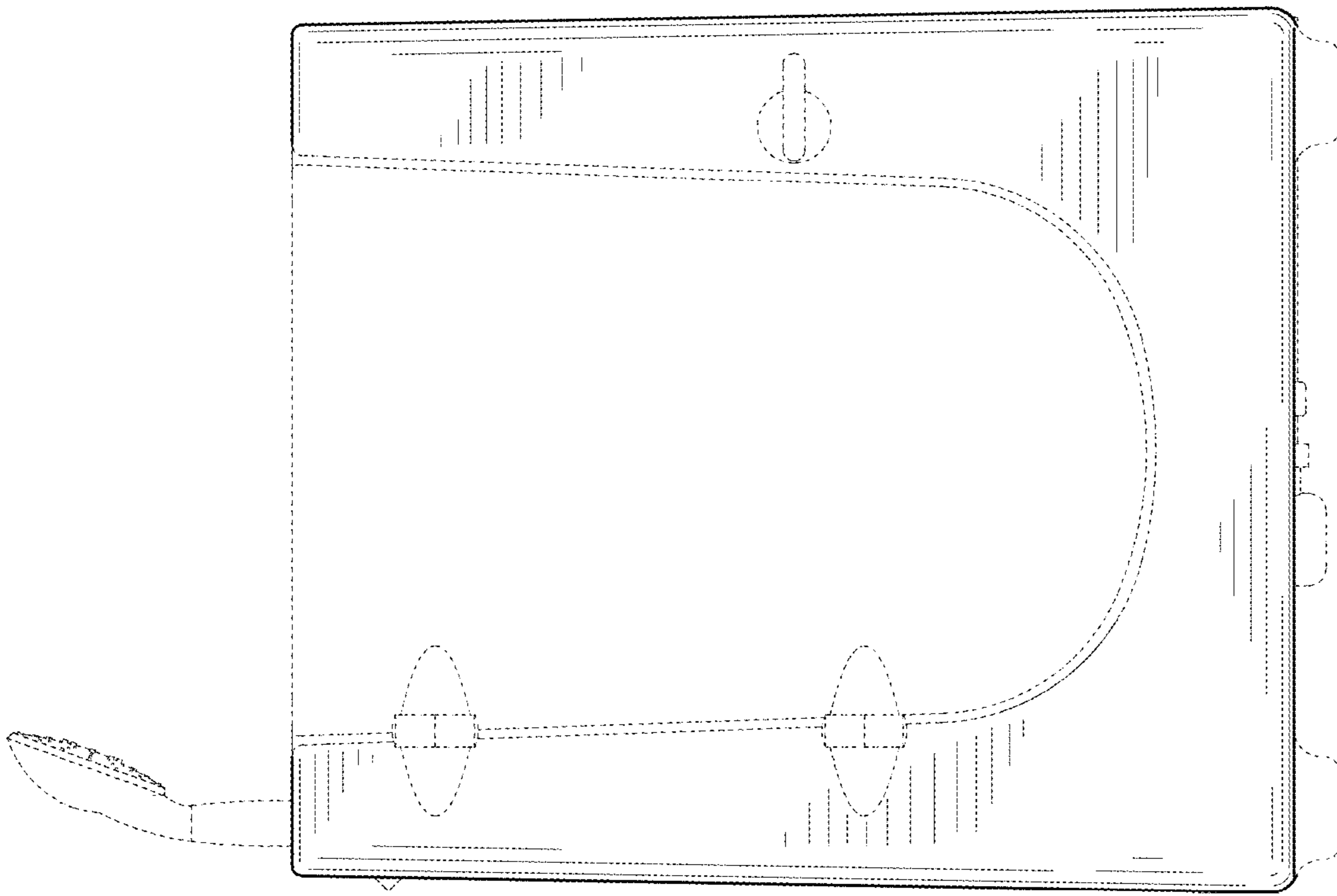


Fig. 5

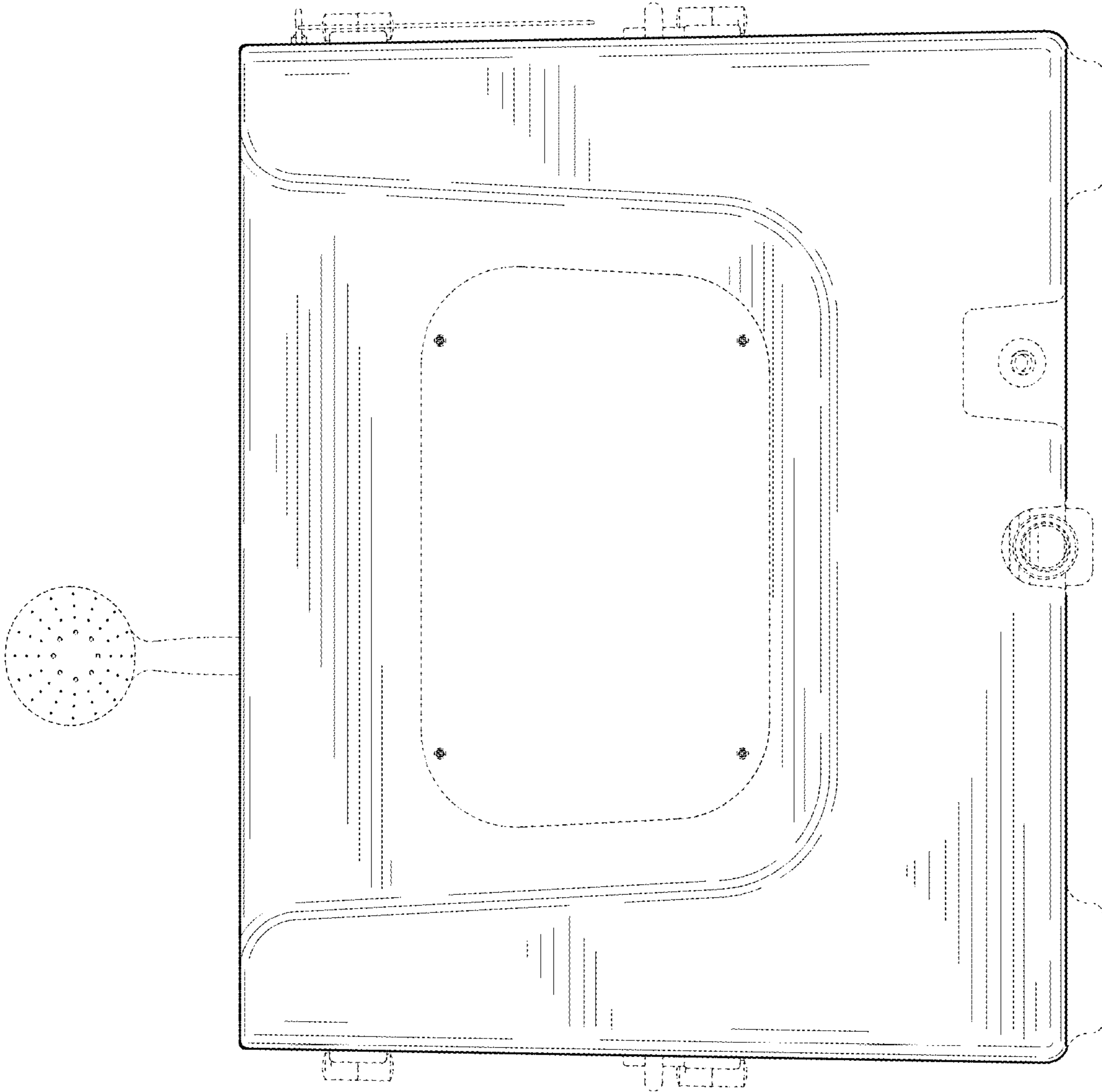


Fig. 6

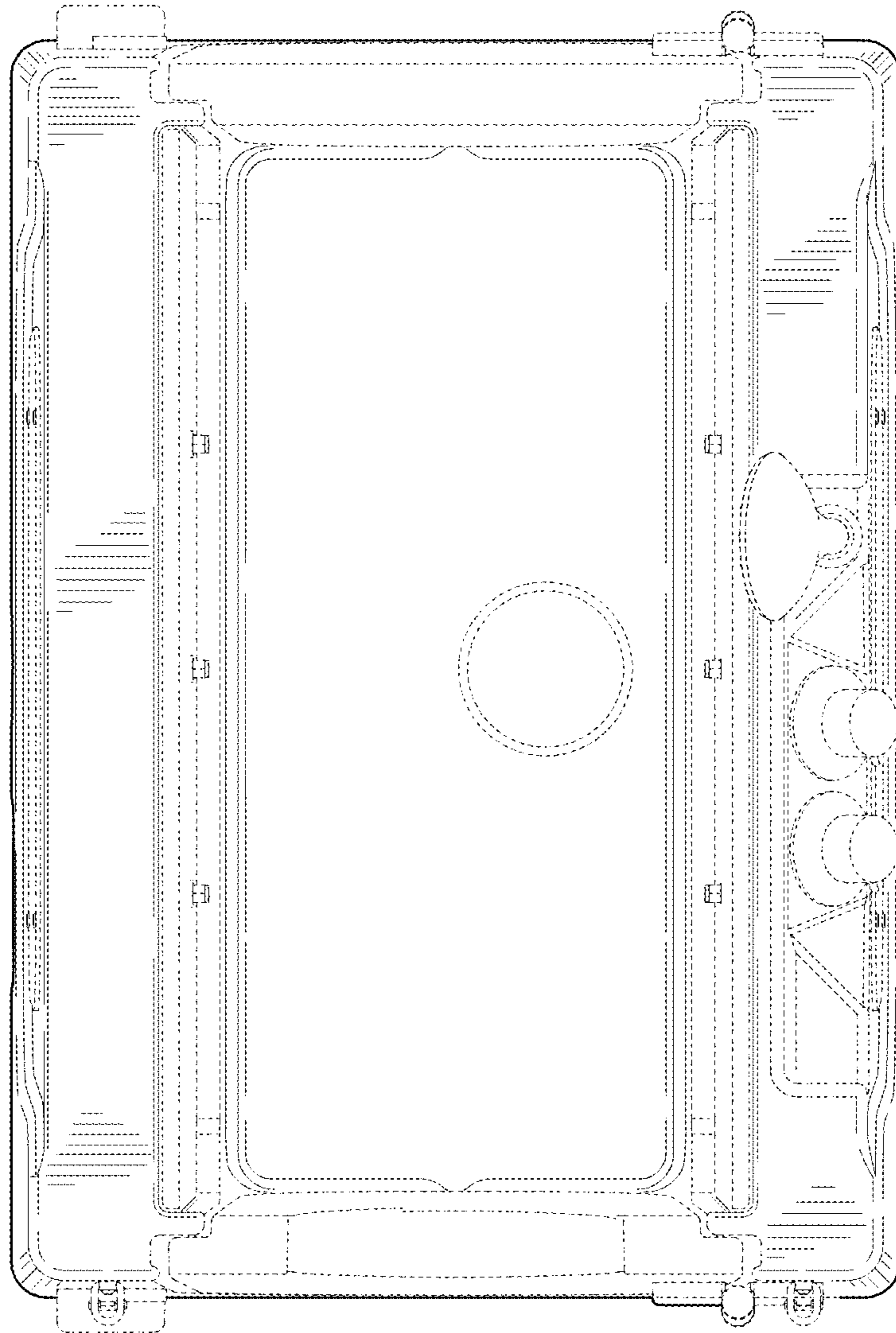


Fig. 7

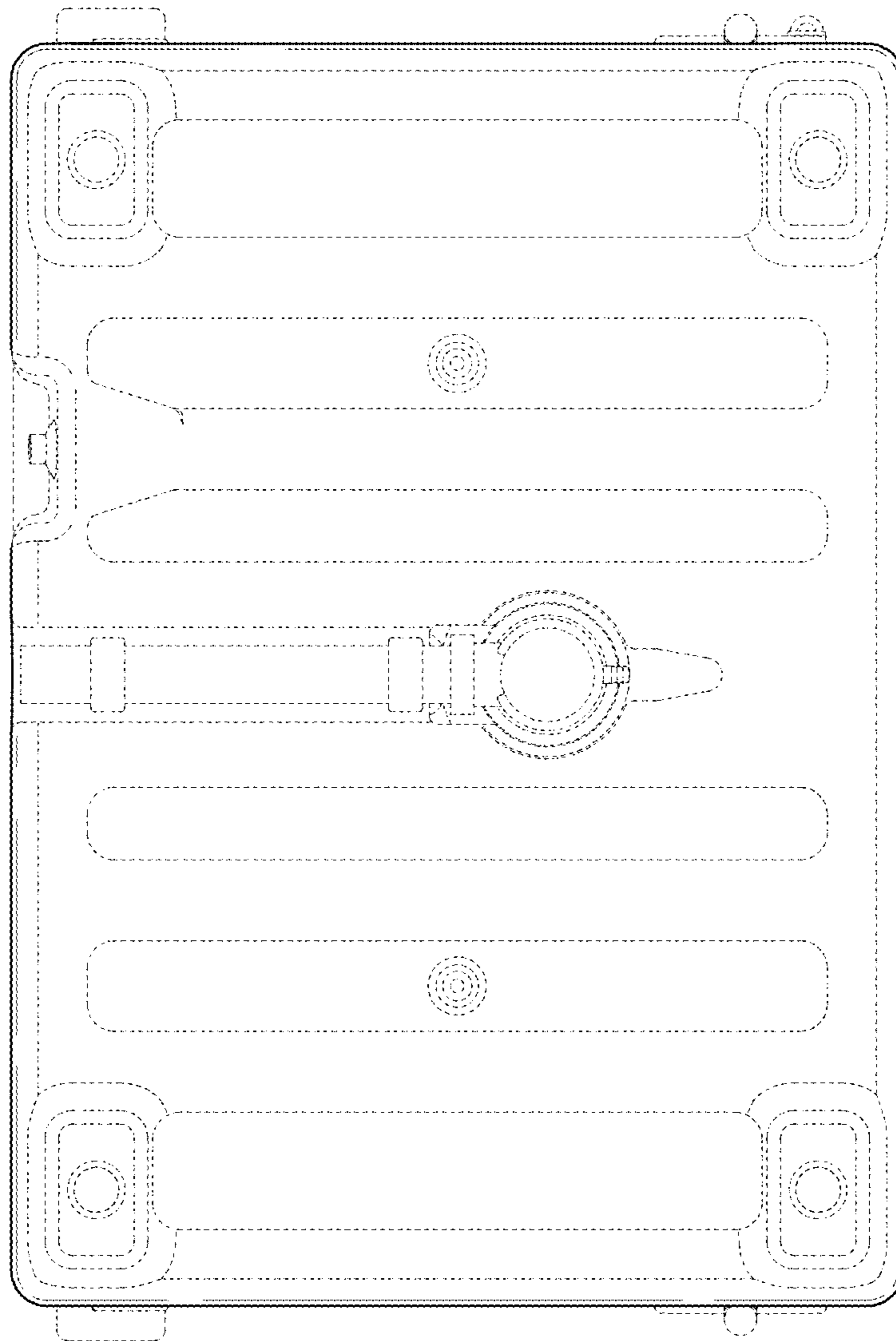


Fig. 8