



US00D770691S

(12) **United States Design Patent** (10) **Patent No.:** **US D770,691 S**
Bayer (45) **Date of Patent:** **** Nov. 1, 2016**

(54) **FACEMASK**

(71) Applicant: **Robert T. Bayer**, Asheville, NC (US)

(72) Inventor: **Robert T. Bayer**, Asheville, NC (US)

(**) Term: **15 Years**

(21) Appl. No.: **29/539,154**

(22) Filed: **Sep. 11, 2015**

(51) **LOC (10) Cl.** **29-02**

(52) **U.S. Cl.**
 USPC **D29/122**

(58) **Field of Classification Search**
 USPC D29/100, 102, 106, 108, 110, 122;
 D2/865, 880, 881; 2/455, 456, 410, 7,
 2/8.2, 424, 425, 9, 468, 171, 205, 206;
 128/201, 23, 857
 CPC .. A41D 13/05; A41D 13/11; A41D 13/1107;
 A41D 13/1161; A41D 13/113; A41D
 13/1138; A41D 13/1146; A42B 3/18; A42B
 3/20; A42B 3/205; A42B 3/32; A42B 3/326;
 A42B 3/00; A42B 3/04; A42B 3/0406;
 A42B 3/08; A42B 3/085; A43B 1/008;
 A61F 9/06; A63B 71/08; A63B 71/085;
 A63B 71/10; A63B 71/12; A63B 71/1291
 See application file for complete search history.

(56) **References Cited**

U.S. PATENT DOCUMENTS

2,611,897 A * 9/1952 Adams A42B 3/20
 2/9
 2,890,457 A 6/1959 Marietta
 3,113,318 A 12/1963 Marietta
 D204,731 S * 5/1966 Dunning 2/9
 D207,479 S * 4/1967 Dunning D29/111
 3,478,365 A * 11/1969 Varga A42B 3/08
 2/424
 D229,127 S * 11/1973 Franklin D29/108
 3,886,596 A * 6/1975 Franklin A61F 9/02
 2/10
 D243,127 S * 1/1977 Farquharson D29/108
 D243,128 S * 1/1977 Morgan D29/108

4,042,974 A * 8/1977 Morgan A42B 3/326
 2/424
 D246,012 S * 10/1977 Minette D29/108
 D267,128 S * 12/1982 Pearce D16/339
 4,933,993 A 6/1990 McClelland
 5,384,914 A * 1/1995 Caveness A42B 3/20
 2/424
 D471,675 S * 3/2003 Ikeda D29/122
 D548,893 S * 8/2007 Hedge D29/122
 D570,550 S * 6/2008 Broersma D29/108
 D672,683 S * 12/2012 Klotz D11/122
 D674,560 S * 1/2013 Klotz D29/122
 D701,002 S * 3/2014 Lebel D29/122
 D703,874 S * 4/2014 Lebel D29/122
 D709,653 S * 7/2014 Lebel D29/122

(Continued)

Primary Examiner — Elizabeth J Oswecki
 (74) *Attorney, Agent, or Firm* — The Van Winkle Law
 Firm; William G. Heedy; David M. Carter

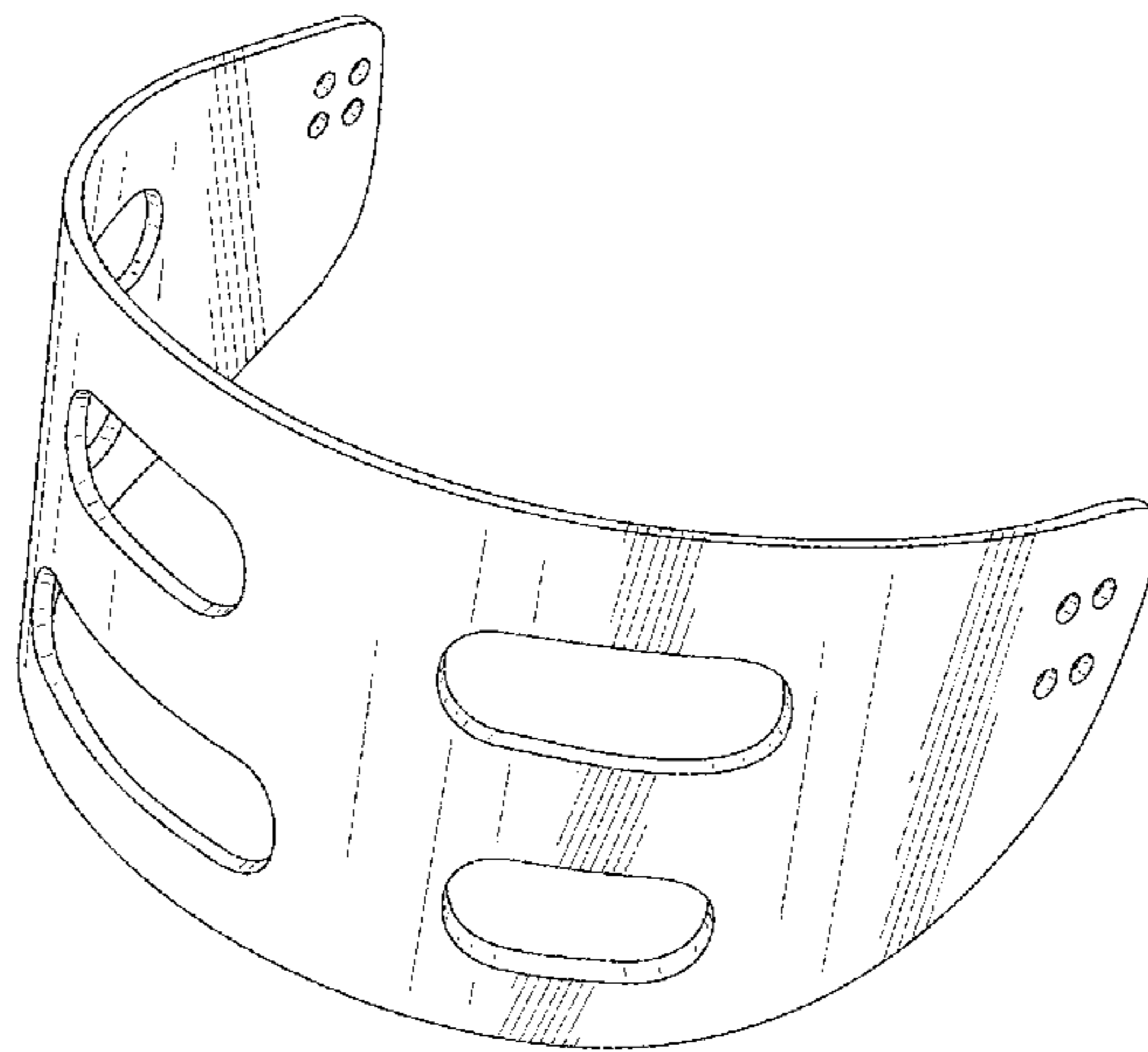
(57) **CLAIM**

The ornamental design for a facemask, as shown and described.

DESCRIPTION

FIG. 1 is a perspective view of a first embodiment of a facemask showing my new design;
 FIG. 2 is a front elevational view thereof;
 FIG. 3 is a rear elevational view thereof;
 FIG. 4 is a right side elevational view thereof;
 FIG. 5 is a left side elevational view thereof;
 FIG. 6 is a top plan view thereof;
 FIG. 7 is a bottom plan view thereof;
 FIG. 8 is a perspective view of a second embodiment of a face mask showing my new design, wherein the facemask is shown in a used condition secured to a helmet shown in broken lines;
 FIG. 9 is a front elevational view thereof;
 FIG. 10 is a rear elevational view thereof;
 FIG. 11 is a right side elevational view thereof;
 FIG. 12 is a left side elevational view thereof;
 FIG. 13 is a top plan view thereof; and,
 FIG. 14 is a bottom plan view thereof.

1 Claim, 9 Drawing Sheets



US D770,691 S

Page 2

(56)

References Cited

U.S. PATENT DOCUMENTS

D711,051 S * 8/2014 Noordzij D29/122
D715,005 S * 10/2014 Schiebl D29/122

D724,791 S * 3/2015 Cram D29/122
D740,496 S * 10/2015 Noordzij D29/122
D748,347 S * 1/2016 Noordzij D29/122
D757,368 S * 5/2016 Paulson D29/122

* cited by examiner

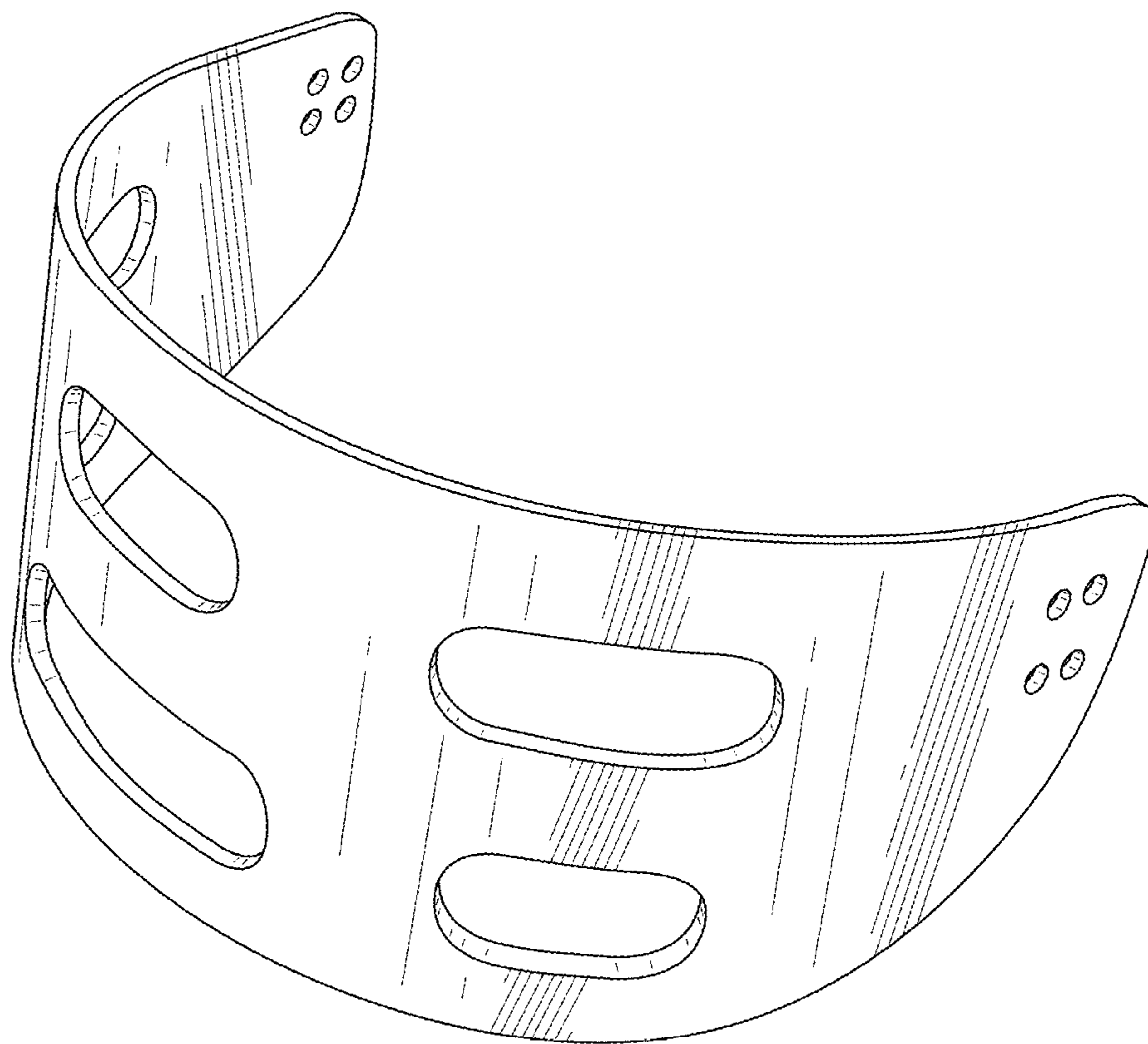


FIG. 1

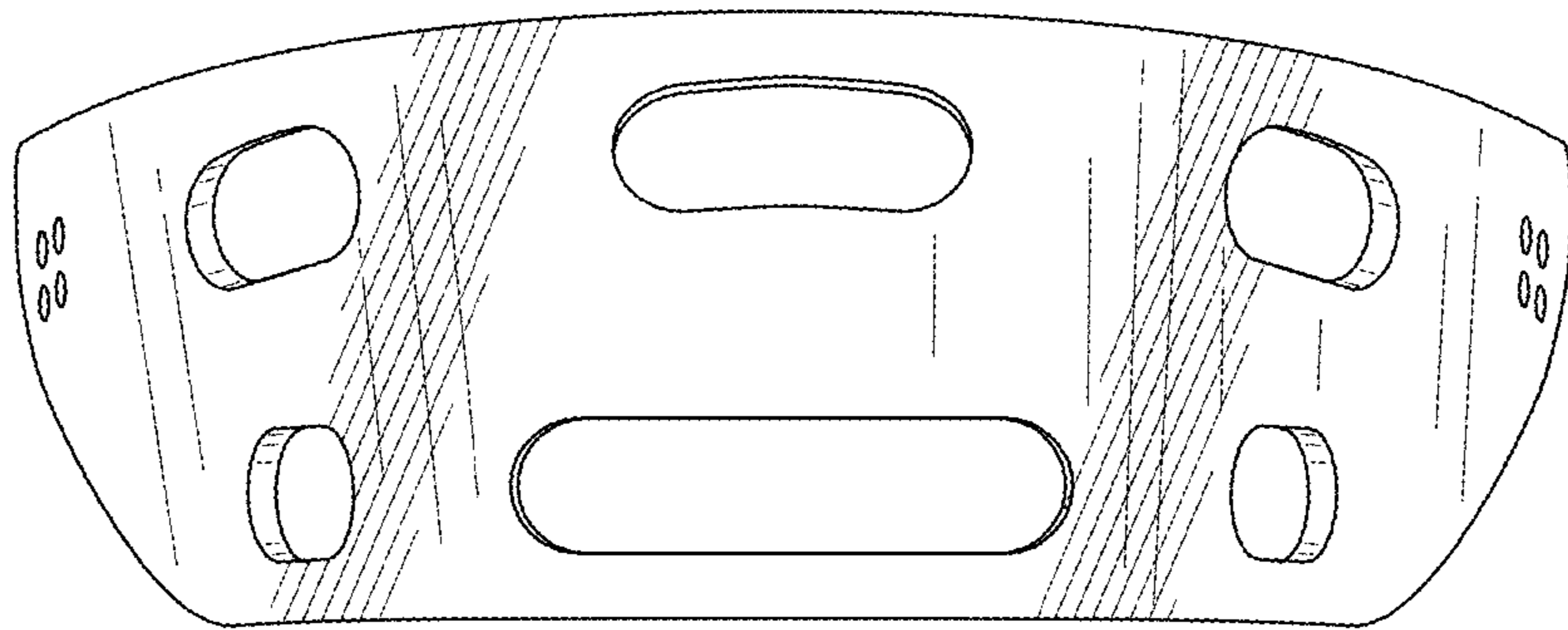


FIG. 2

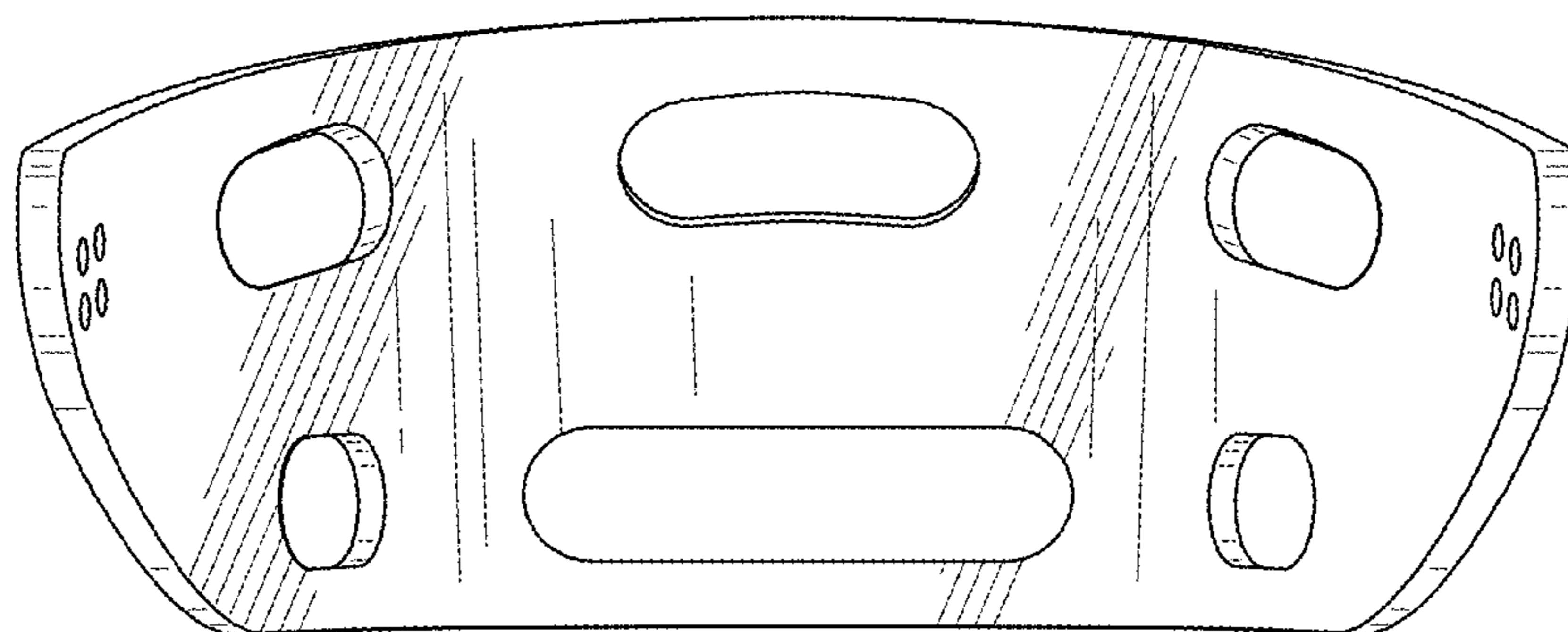


FIG. 3

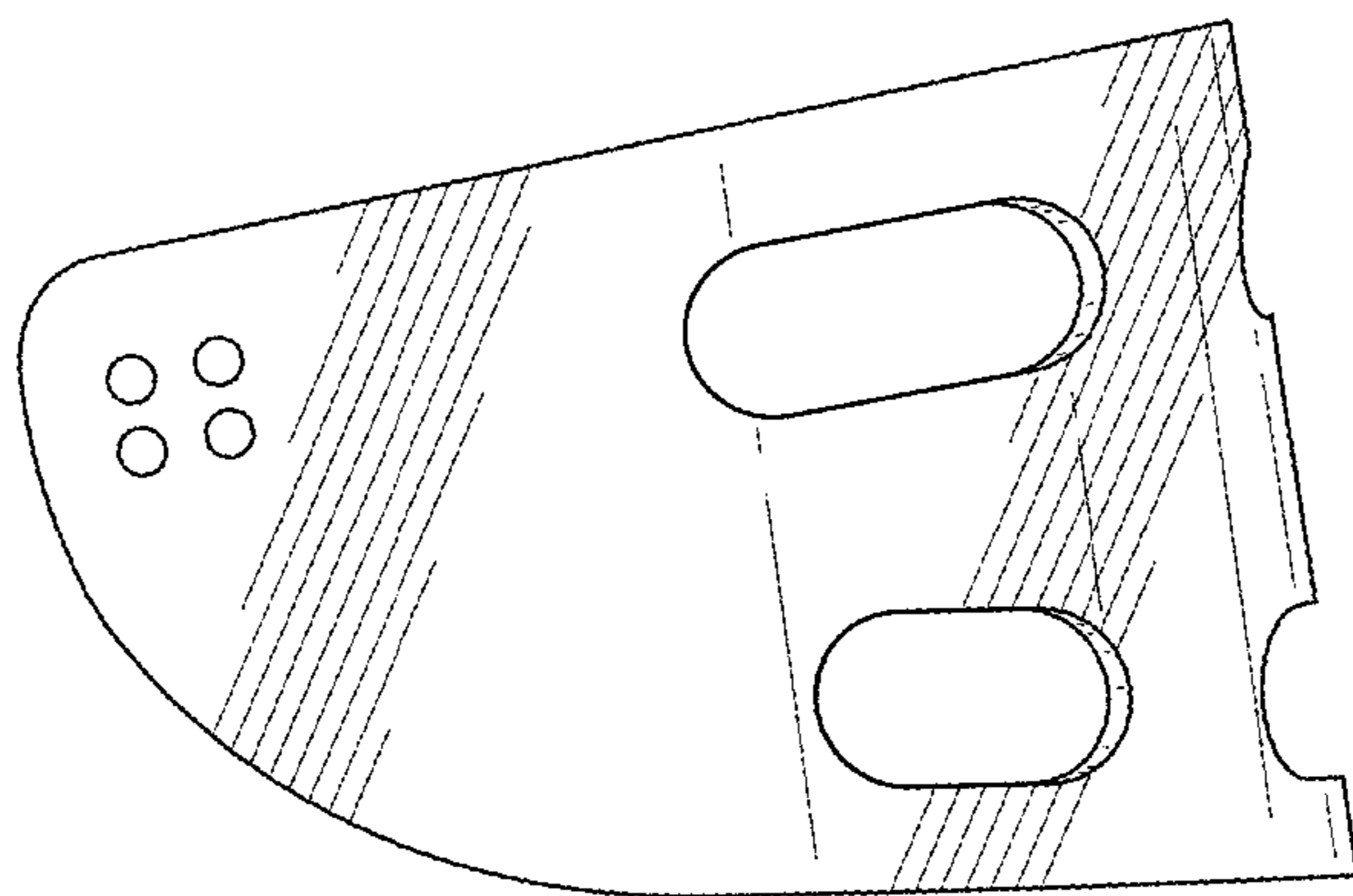


FIG. 4

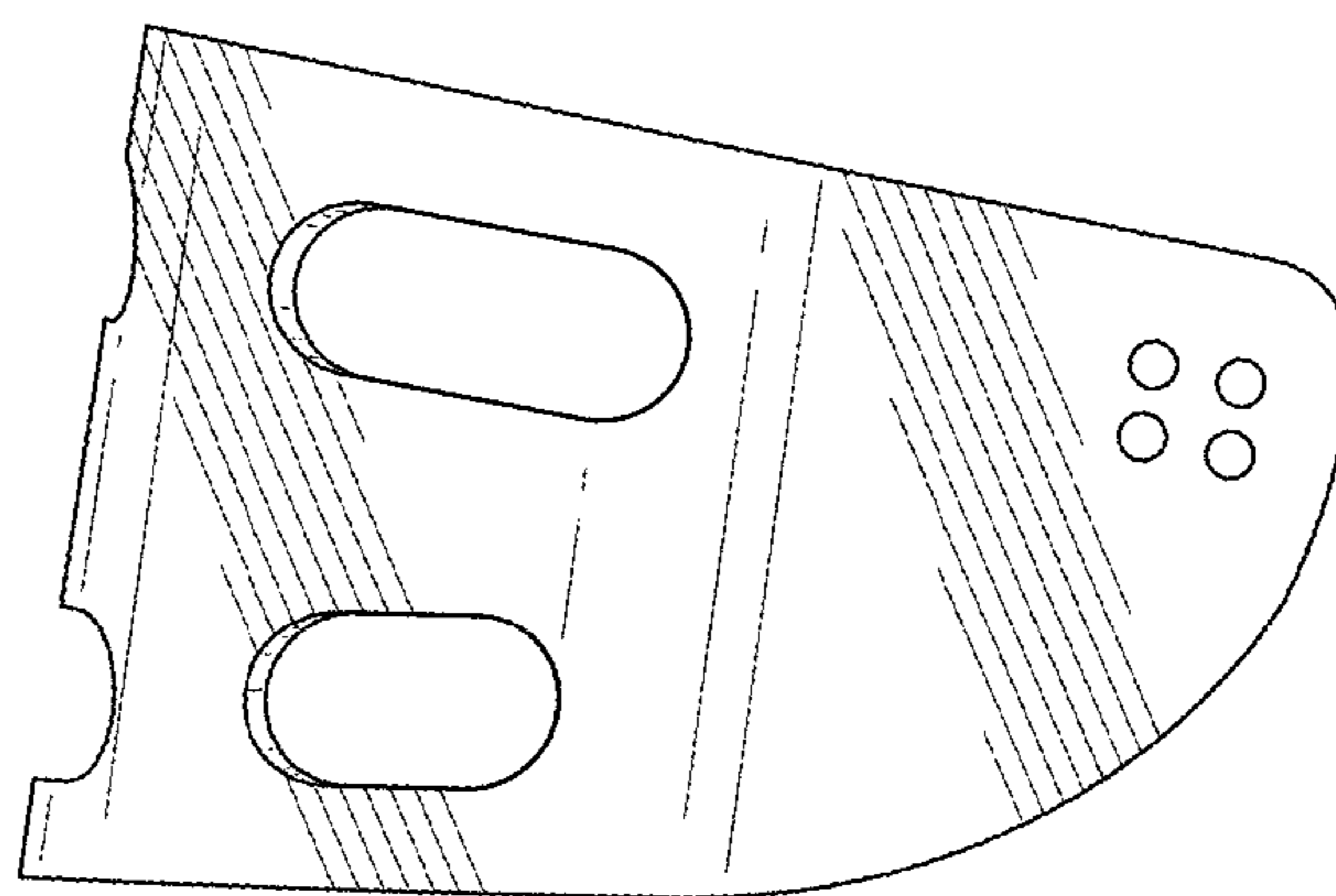


FIG. 5

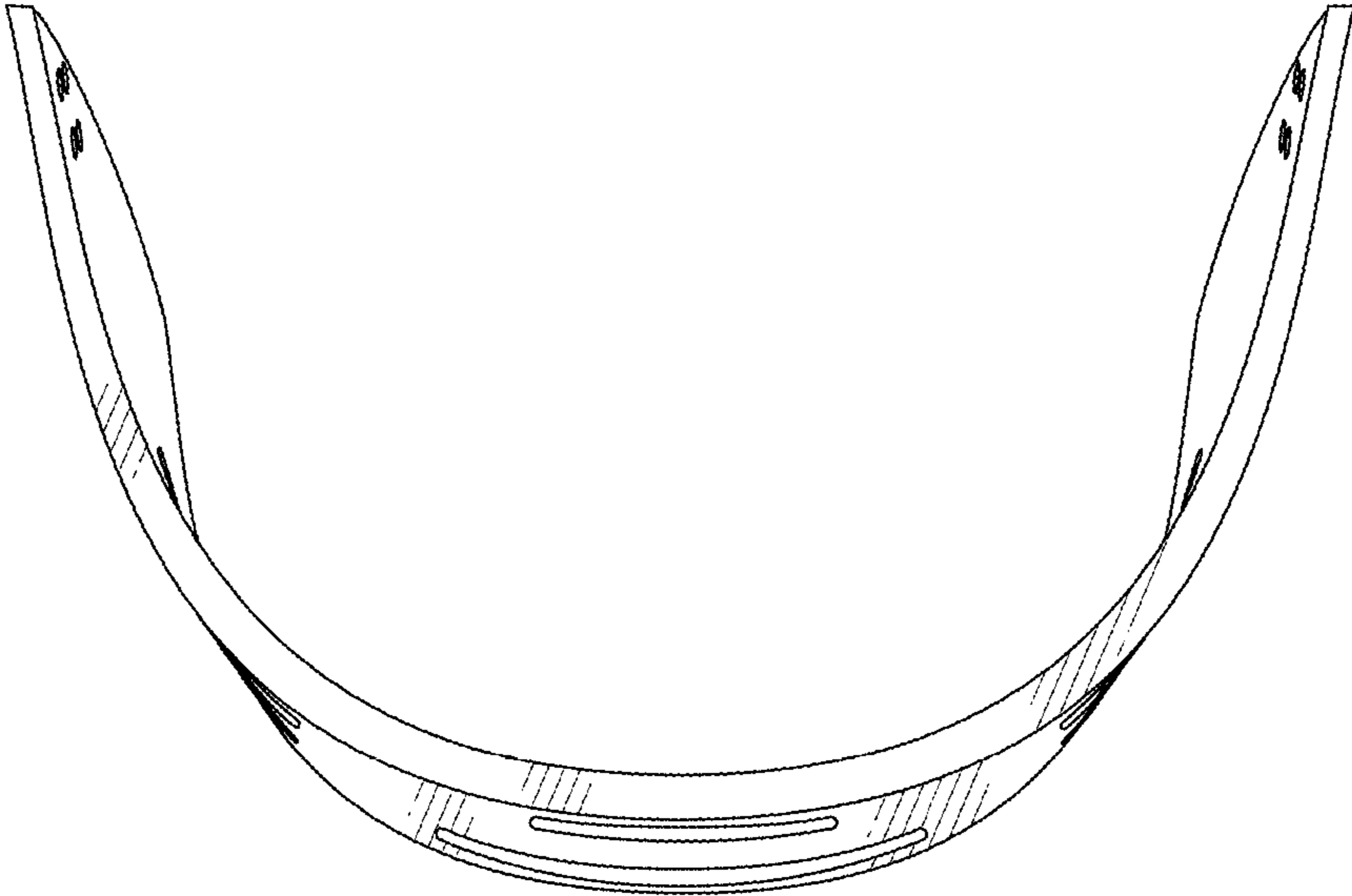


FIG. 6

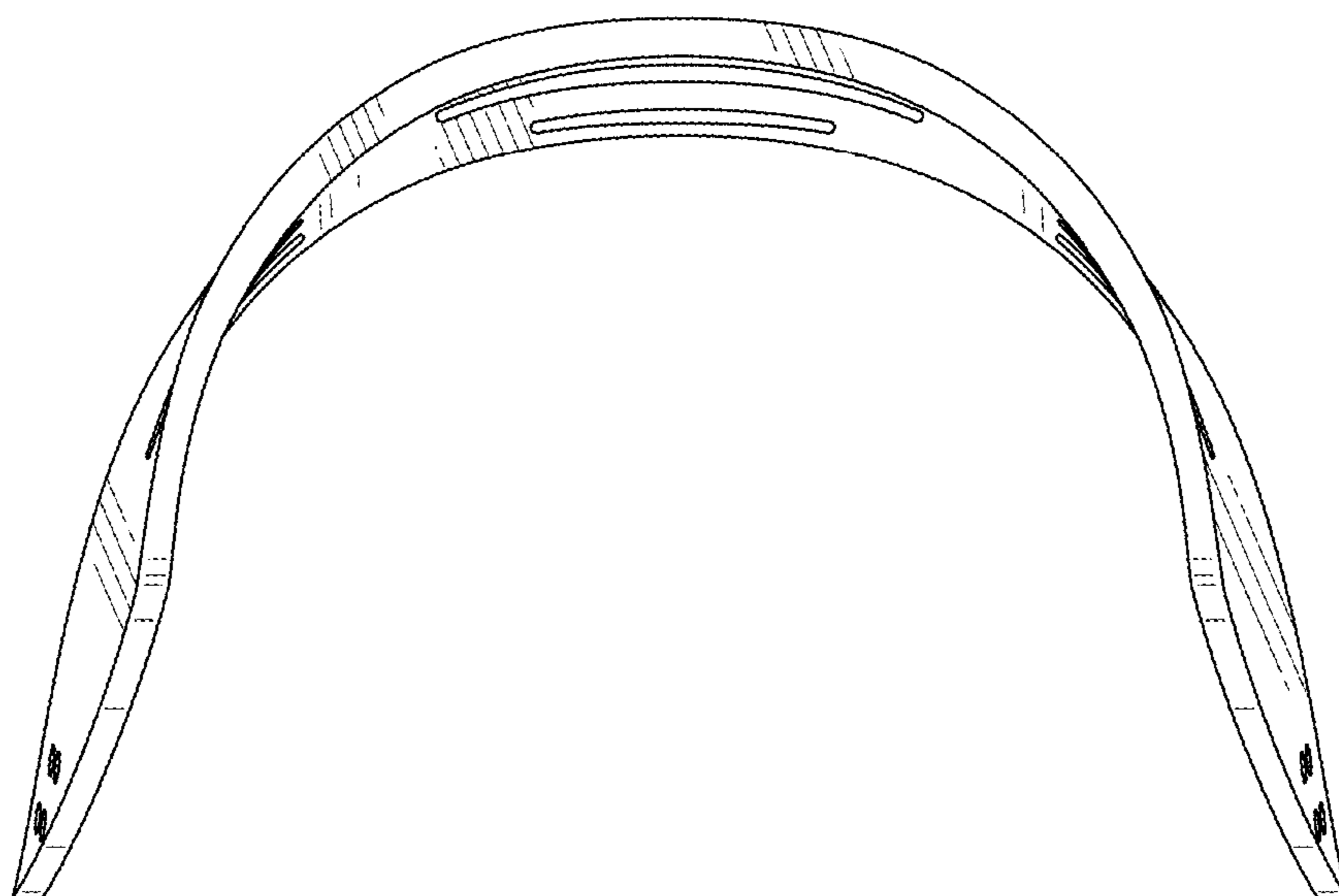


FIG. 7

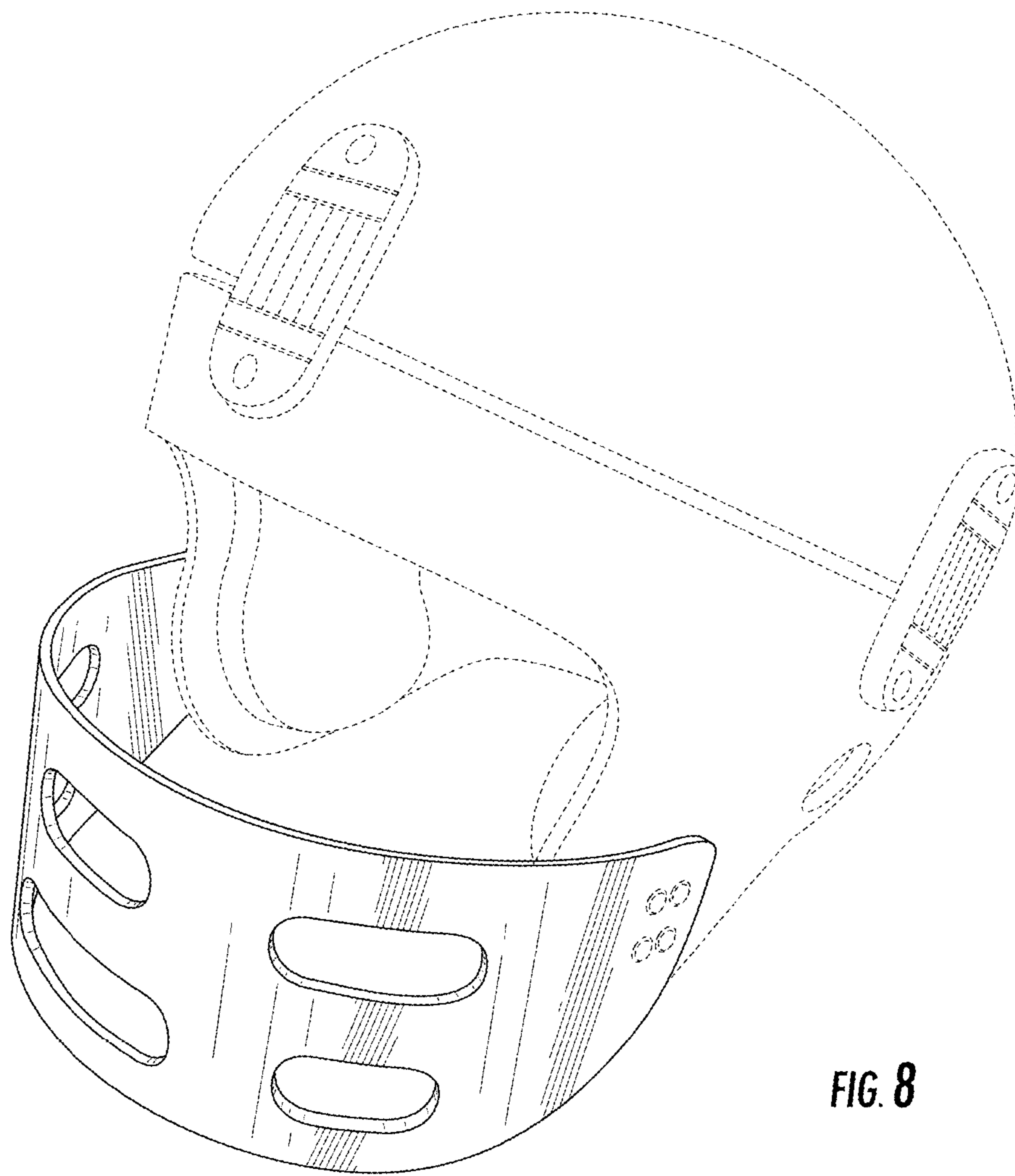


FIG. 8

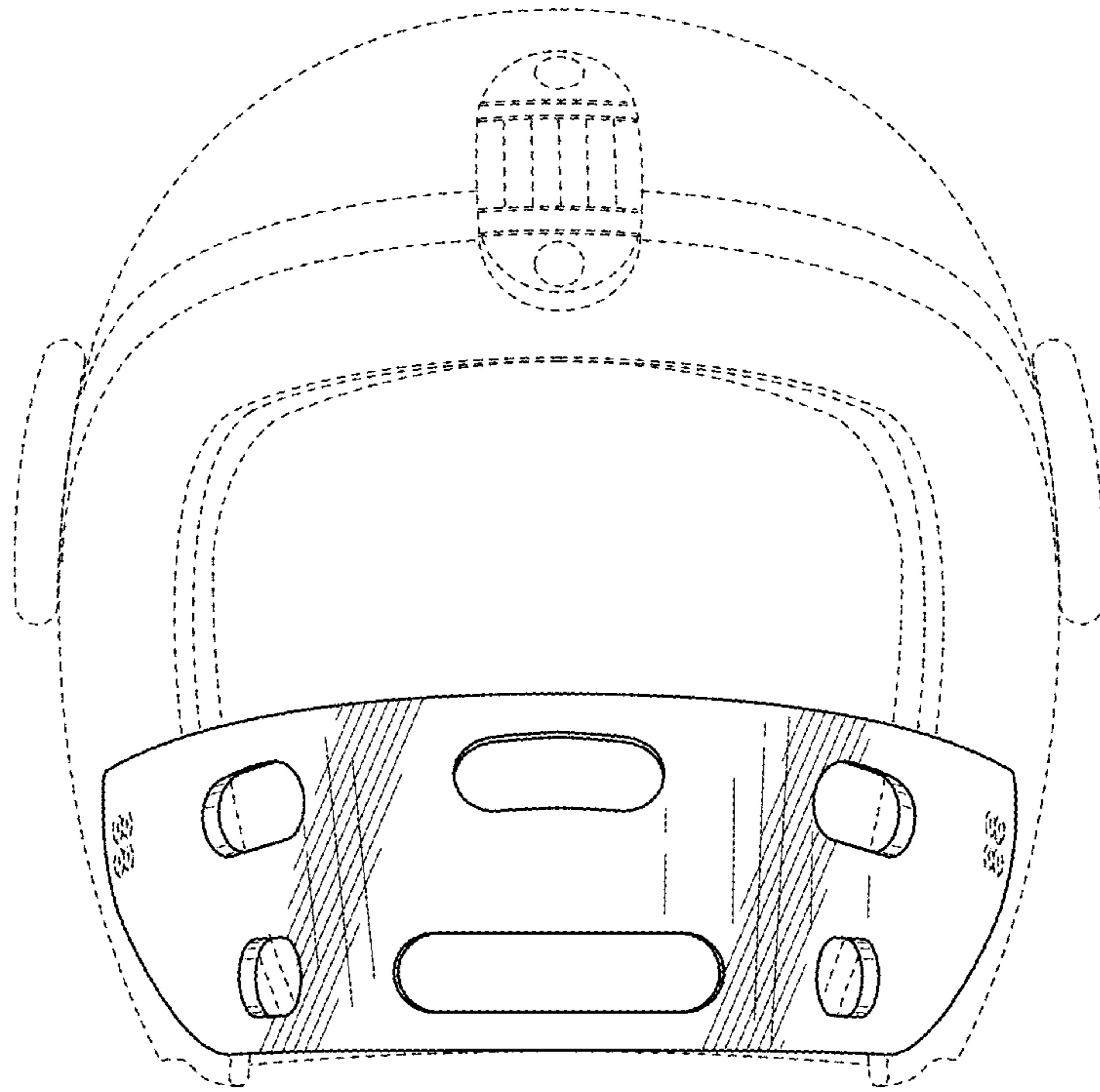


FIG. 9

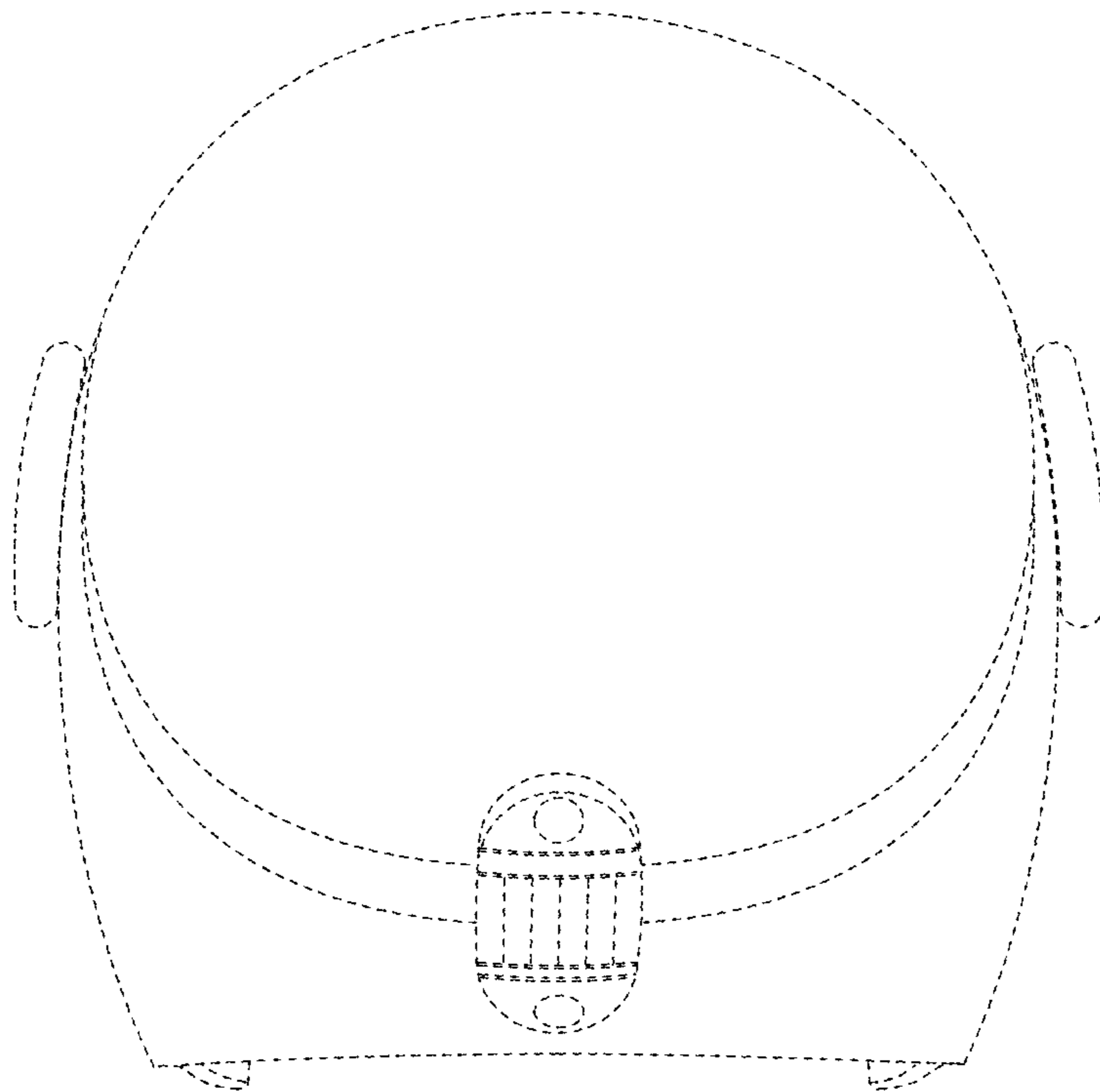


FIG. 10

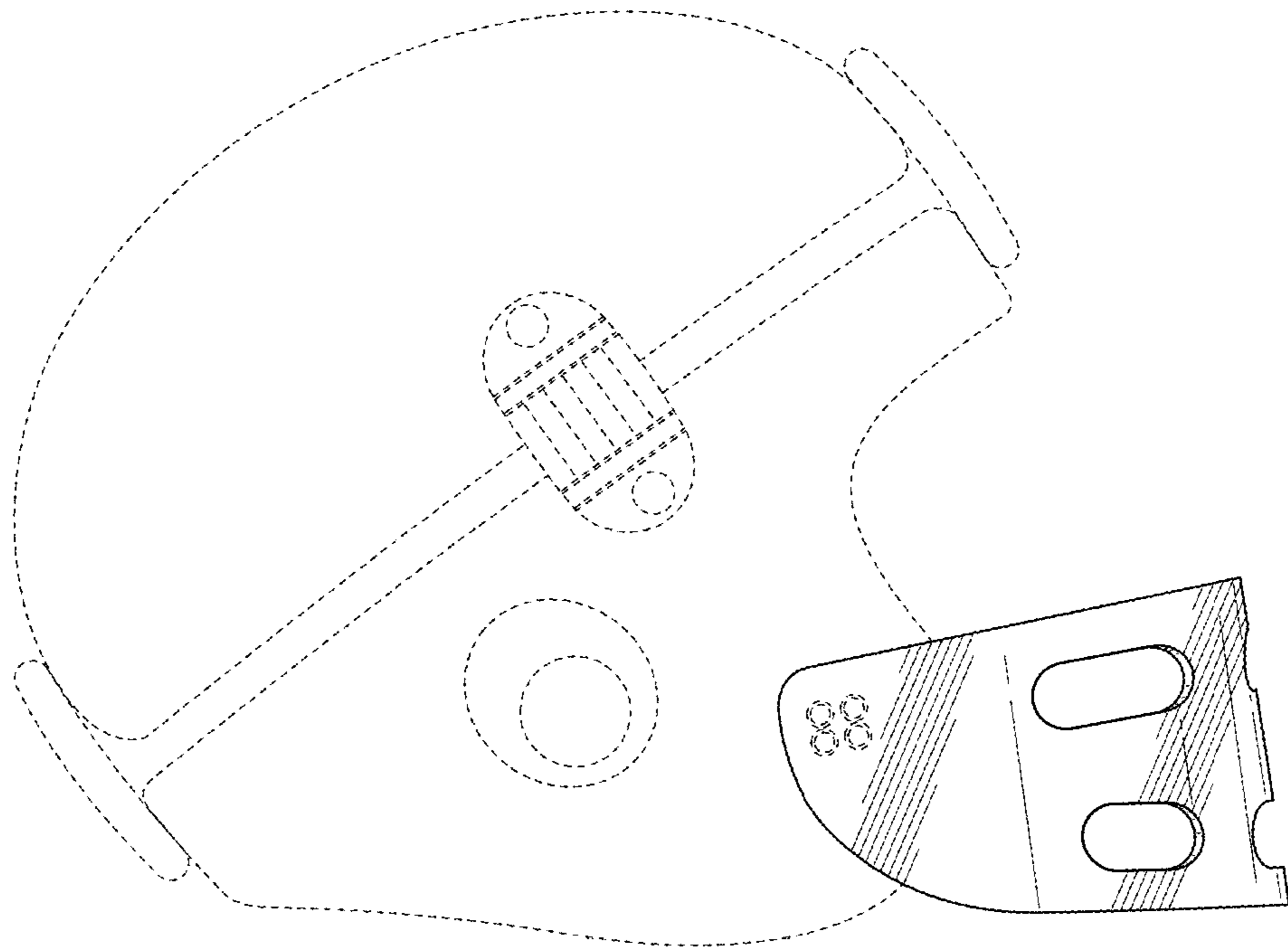


FIG. 11

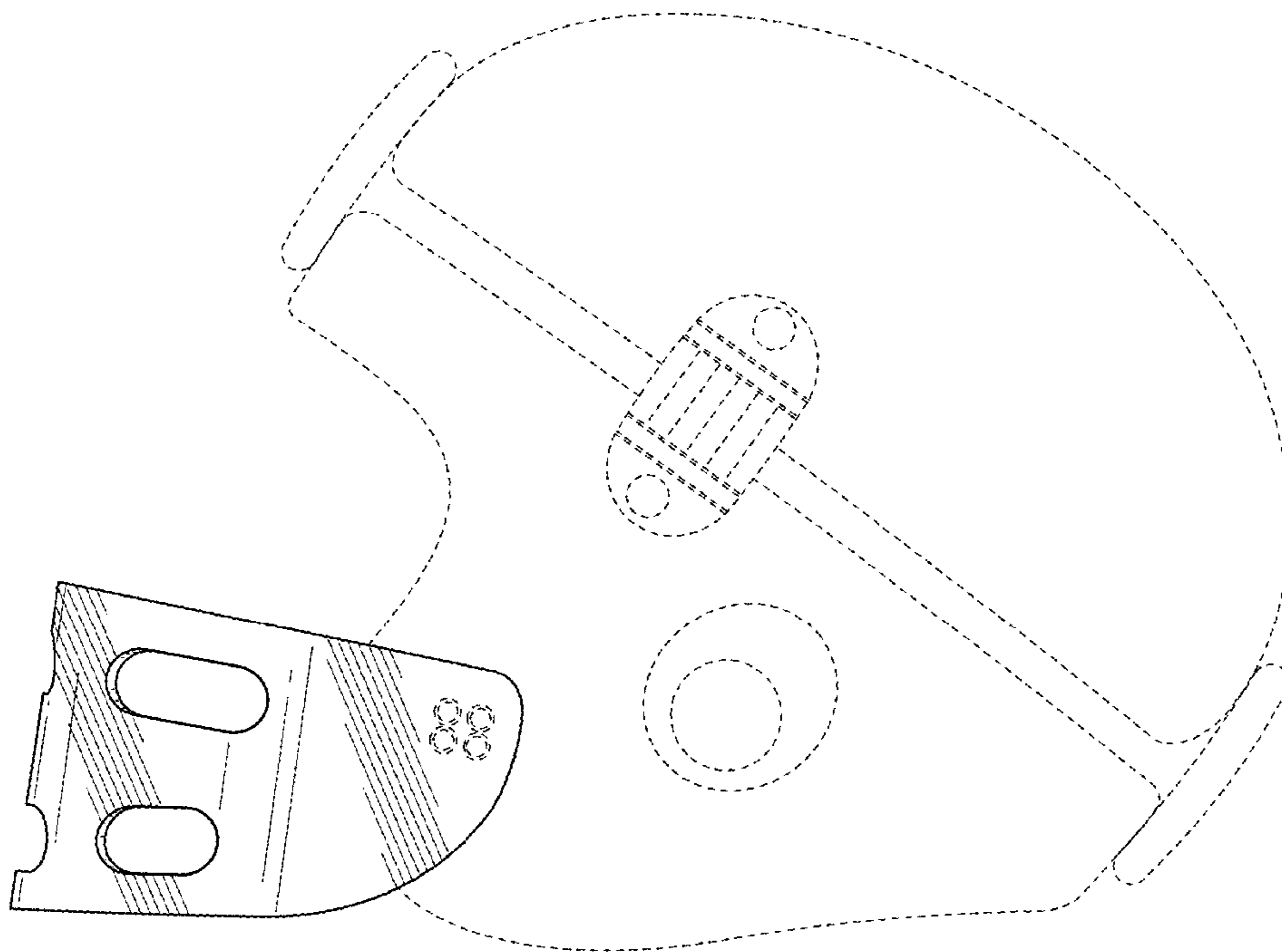


FIG. 12

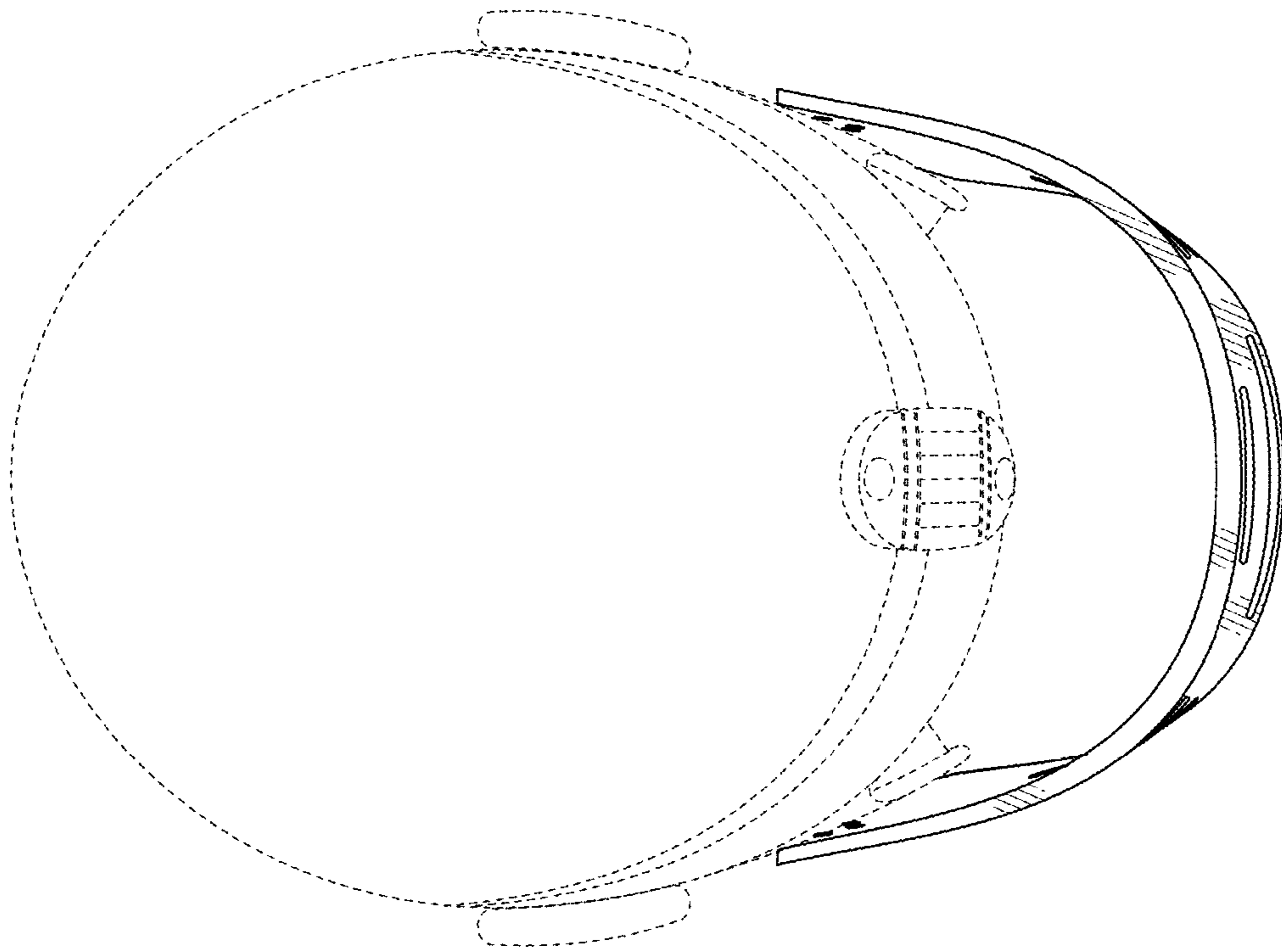


FIG. 13

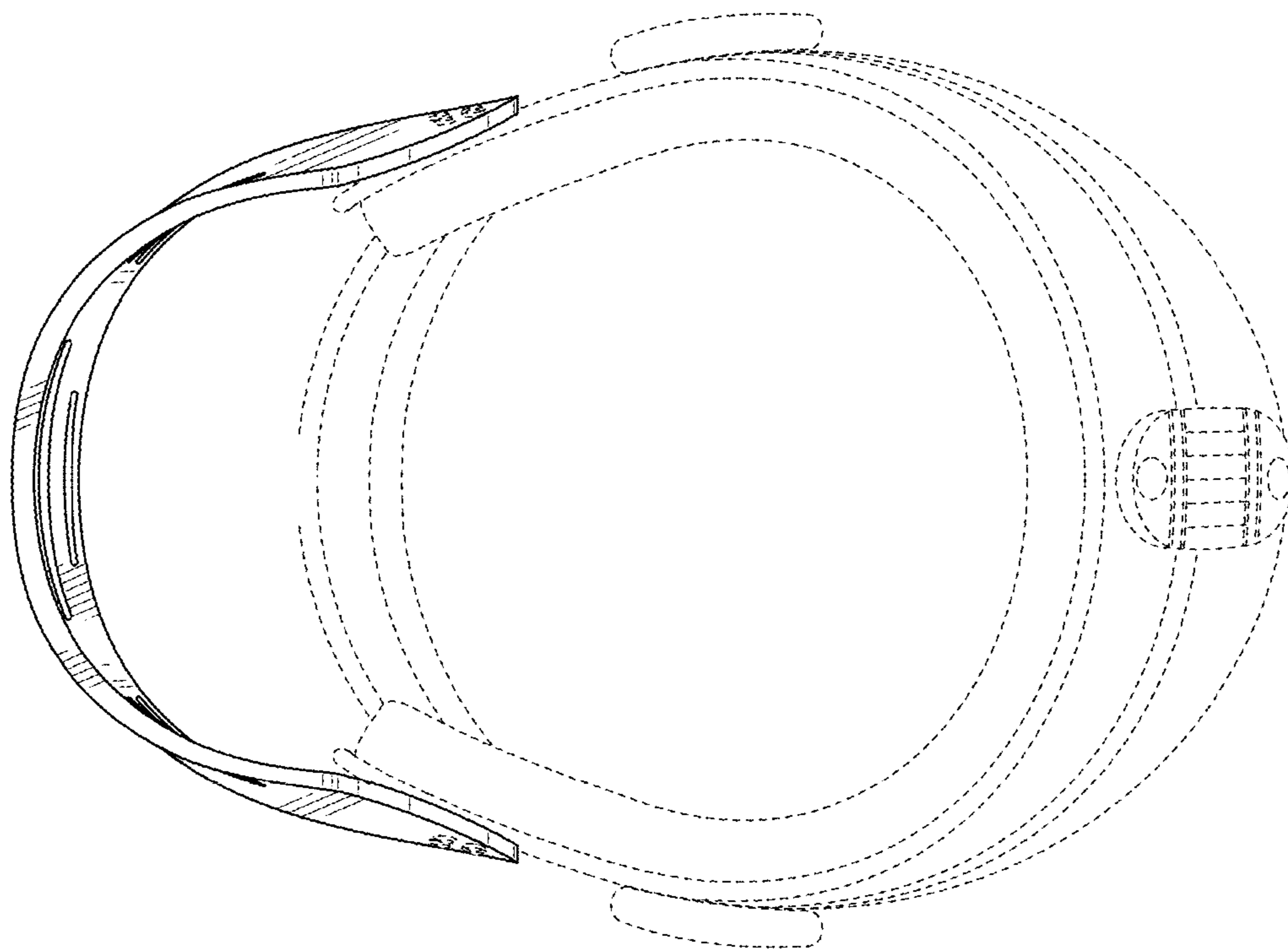


FIG. 14