



US00D770679S

(12) **United States Design Patent** (10) **Patent No.:** **US D770,679 S**  
**Weigensberg** (45) **Date of Patent:** **\*\* Nov. 1, 2016**

(54) **PERSONAL CARRYING CASE FOR ELECTRONIC VAPING DEVICES**

(71) Applicant: **SIS Resources, Ltd.**, Beit Shemesh (IL)  
(72) Inventor: **Arye Weigensberg**, Beit Shemesh (IL)  
(73) Assignee: **SIS Resources, Ltd.**, Beit Shemesh (IL)  
(\*\*) Term: **14 Years**  
(21) Appl. No.: **29/466,655**

(22) Filed: **Sep. 10, 2013**  
(51) **LOC (10) Cl.** ..... **27-06**  
(52) **U.S. Cl.**  
USPC ..... **D27/189**  
(58) **Field of Classification Search**  
USPC ..... D27/129, 141, 144, 152, 153, 157, 160, D27/172, 174, 175, 183, 186, 187, 189-191, D27/193, 194, 184; D9/420, 423, 504, 529, D9/545, 686, 688, 524, 737, 741, 746; D13/108; 206/242, 249, 250, 256, 259, 206/261, 264, 265, 267, 268; D3/273, 294; 131/270-273, 329-330, 347; D7/513, D7/541  
CPC ..... A24F 13/14; A24F 9/16; A24F 15/00; A24F 15/12; A24F 15/18; A24F 15/20; A24F 47/002; A24F 15/14; A24F 15/005; A24F 23/00; A24F 23/04; B65D 85/10; B65D 85/1054; B65D 85/1036; B65D 85/1045  
See application file for complete search history.

(56) **References Cited**

**U.S. PATENT DOCUMENTS**

D239,777 S \* 5/1976 Goto ..... D27/157  
D262,744 S \* 1/1982 Stutzer ..... D27/154

(Continued)

**FOREIGN PATENT DOCUMENTS**

WO DM047551 4/1999

**OTHER PUBLICATIONS**

Russian Office Action issued in Application No. 2014500930.

(Continued)

*Primary Examiner* — Susan Bennett Hattan

*Assistant Examiner* — Janice Hallmark

(74) *Attorney, Agent, or Firm* — Harness, Dickey & Pierce, P.L.C.

(57) **CLAIM**

I claim the ornamental design for a personal carrying case for electronic vaping devices, as shown and described.

**DESCRIPTION**

FIG. 1 is a top perspective view of a first embodiment of a personal carrying case for electronic vaping devices of the present invention;

FIG. 2 is a top plan view of a first embodiment thereof;

FIG. 3 is a bottom plan view of a first embodiment thereof;

FIG. 4 is a first side plan view of a first embodiment thereof;

FIG. 5 is a second side plan view of a first embodiment thereof;

FIG. 6 is a front plan view of a first embodiment thereof;

FIG. 7 is an alternate perspective view of a first embodiment thereof;

FIG. 8 is an alternate front plan view of a first embodiment thereof;

FIG. 9 is a top perspective view of a second embodiment thereof;

FIG. 10 is a top plan view of a second embodiment thereof;

FIG. 11 is a bottom plan view of a second embodiment thereof;

FIG. 12 is a first side plan view of a second embodiment thereof;

FIG. 13 is a second side plan view of a second embodiment thereof;

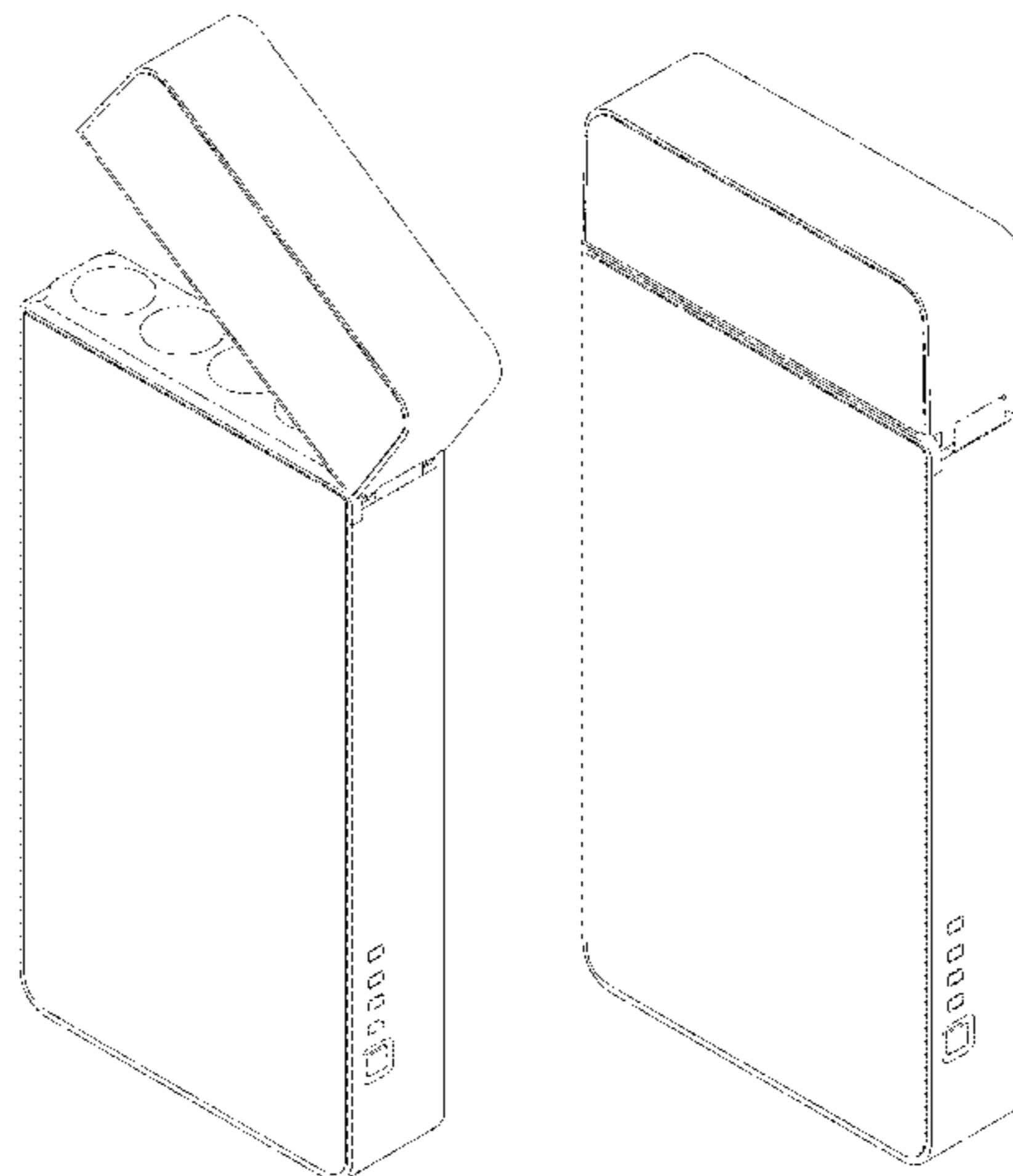
FIG. 14 is a front plan view of a second embodiment thereof;

FIG. 15 is an alternate perspective view of a second embodiment thereof; and,

FIG. 16 is an alternate front plan view of a second embodiment thereof.

The broken lines in the drawings depict parts of the personal carrying case for electronic vaping devices that form no part of the claimed design.

**1 Claim, 12 Drawing Sheets**



(56)

References Cited

U.S. PATENT DOCUMENTS

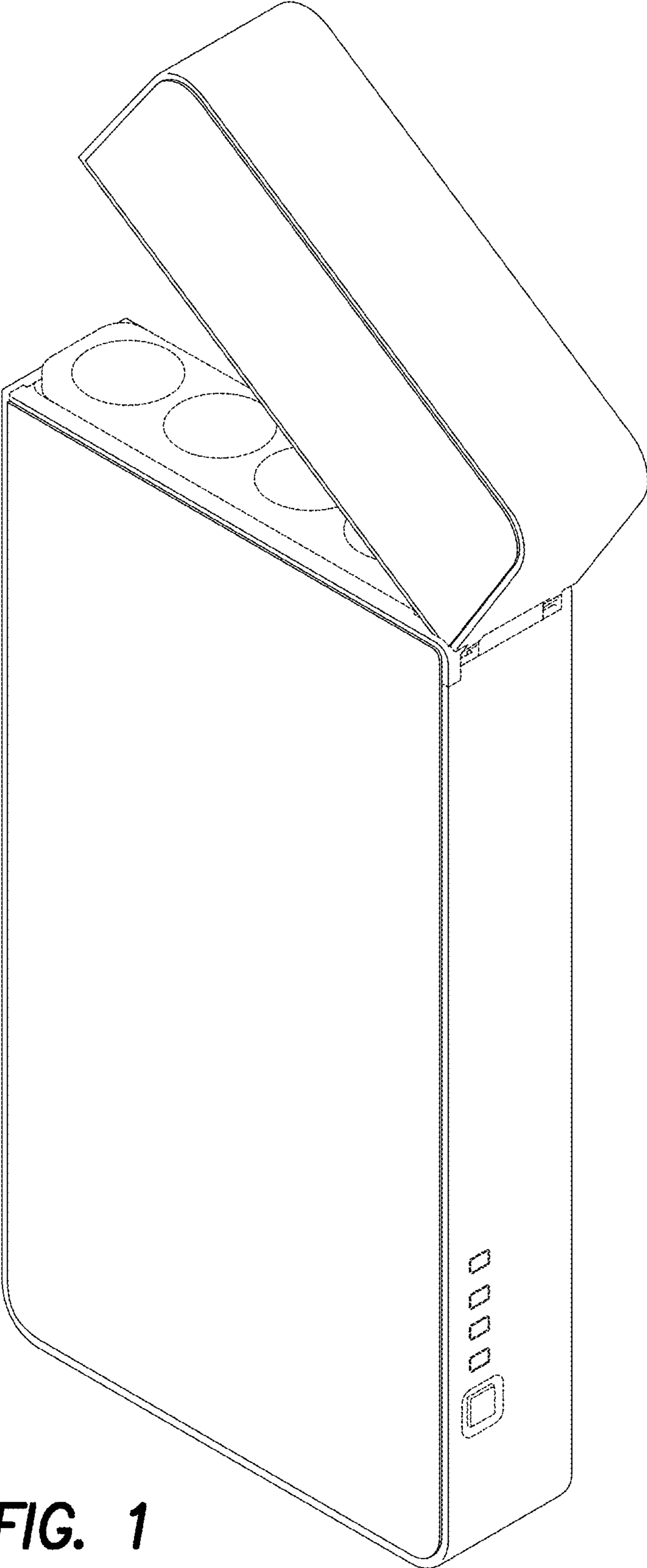
D272,005 S \* 12/1983 Stutzer ..... D27/159  
 D485,640 S \* 1/2004 Draghetti ..... D27/189  
 D485,939 S \* 1/2004 Draghetti ..... D27/189  
 D610,303 S \* 2/2010 Valle ..... D27/189  
 D677,000 S \* 2/2013 Liu ..... D27/189  
 D683,898 S \* 6/2013 Liu ..... D13/108  
 D683,899 S \* 6/2013 Liu ..... D13/108  
 D688,418 S \* 8/2013 Liu ..... D13/108  
 D690,461 S 9/2013 Chen  
 D700,994 S \* 3/2014 Alarcon ..... D27/189  
 8,794,245 B1 \* 8/2014 Scatterday ..... A45C 13/005  
 131/270  
 D719,701 S \* 12/2014 Scatterday ..... D27/189  
 D723,733 S \* 3/2015 Liu ..... D27/189  
 D723,734 S \* 3/2015 Liu ..... D27/189  
 D723,735 S \* 3/2015 Liu ..... D27/189  
 D723,737 S \* 3/2015 Liu ..... D27/189  
 D725,823 S \* 3/2015 Scatterday ..... D27/189  
 D736,456 S \* 8/2015 Liu ..... D27/189

2013/0248385 A1\* 9/2013 Scatterday ..... A24F 15/12  
 206/86  
 2013/0336358 A1\* 12/2013 Liu ..... G01K 13/002  
 374/152  
 2013/0342157 A1\* 12/2013 Liu ..... A24F 15/18  
 320/107  
 2014/0007892 A1\* 1/2014 Liu ..... G08C 23/02  
 131/329  
 2014/0286002 A1\* 9/2014 Liu ..... F21V 33/0004  
 362/154

OTHER PUBLICATIONS

Korean Office Action dated Oct. 15, 2014, issued in corresponding Korean Patent Application No. 30-2014-0011564.  
 Israeli Office Action issued in Israeli Application No. 55349, dated Feb. 16, 2015.  
 Korean Office Action issued in Korean Application No. 30-2014-0011564, dated Feb. 24, 2015.  
 Argentinian Office Action dated Nov. 20, 2014, issued in Application No. 86679.

\* cited by examiner



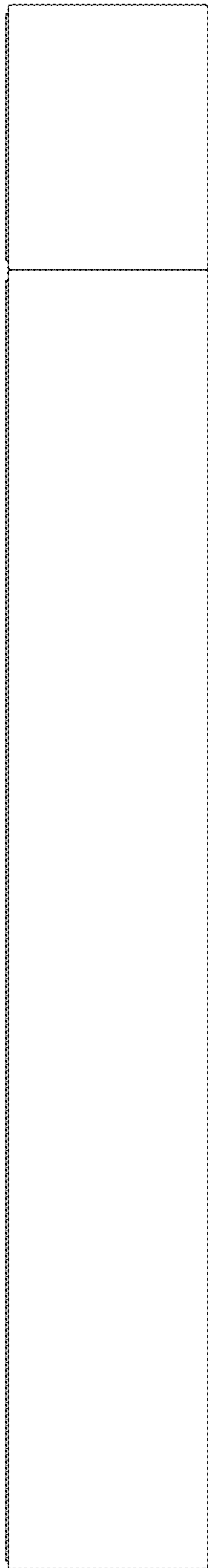
**FIG. 1**



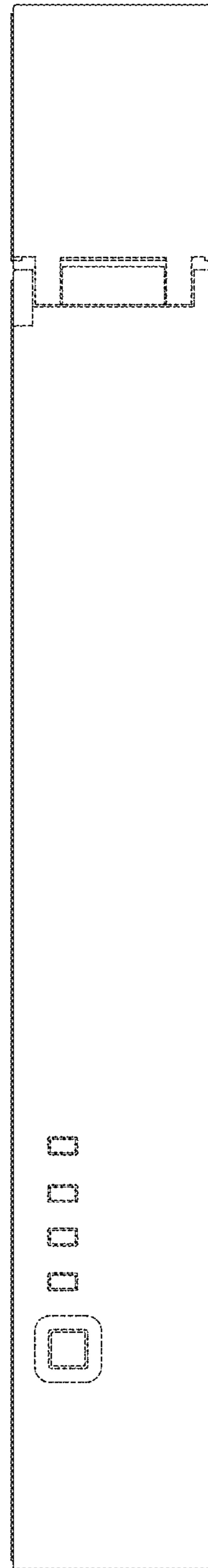
***FIG. 2***



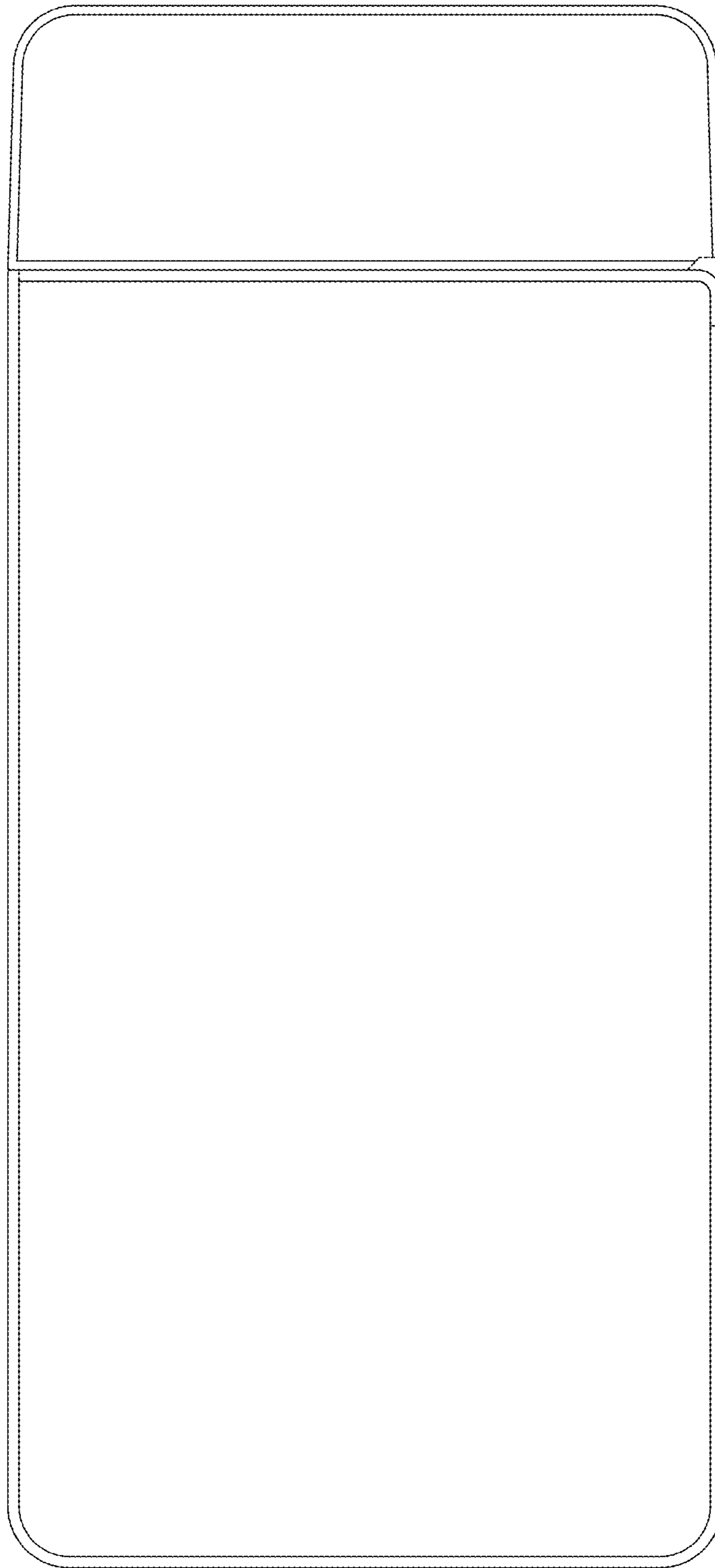
***FIG. 3***



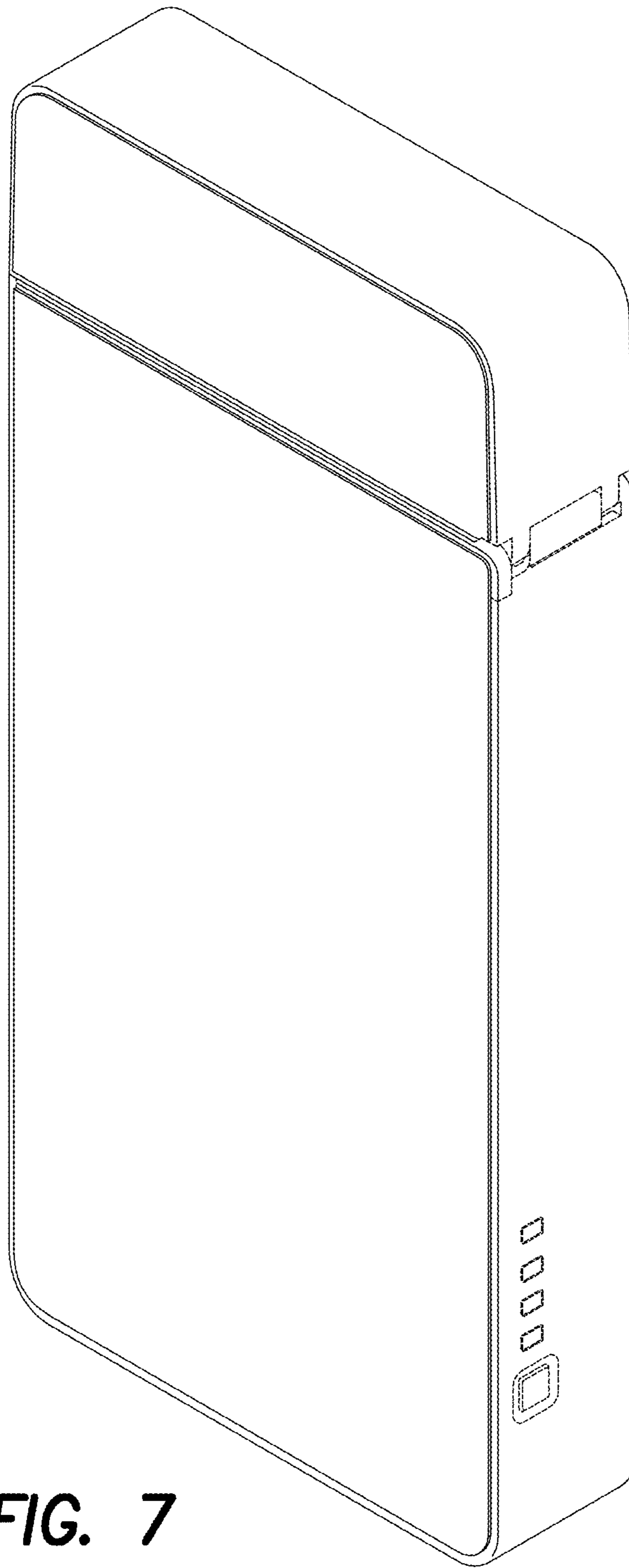
**FIG. 4**



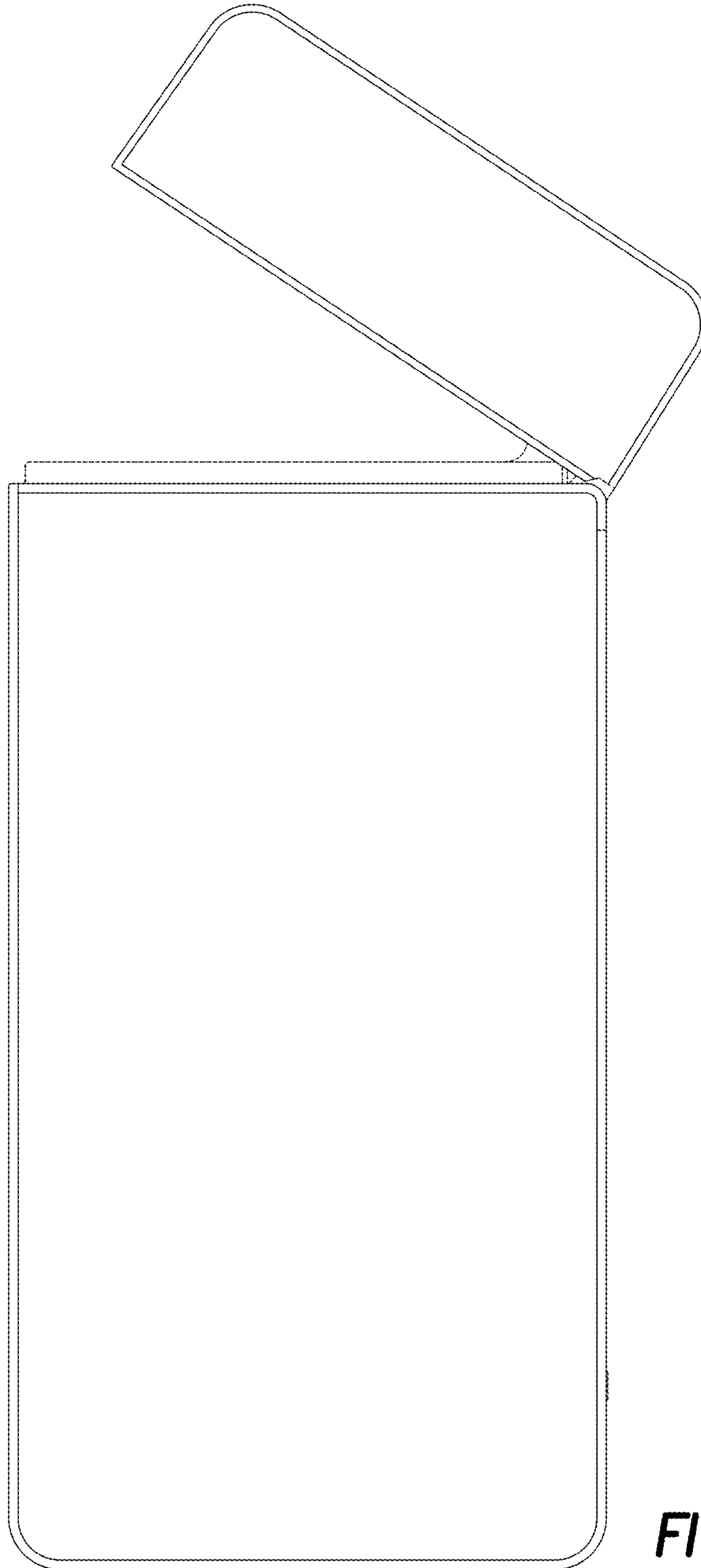
**FIG. 5**



**FIG. 6**

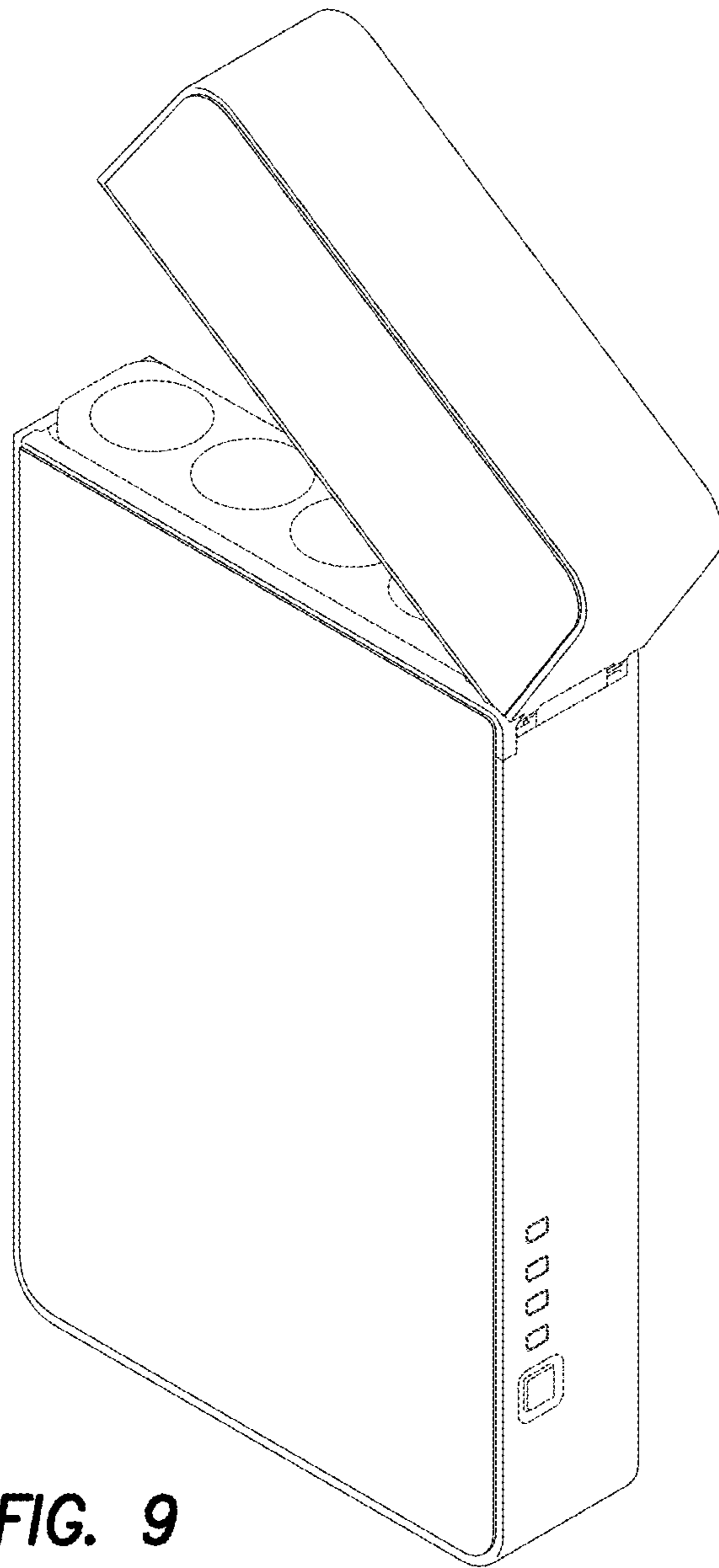


**FIG. 7**



**FIG. 8**





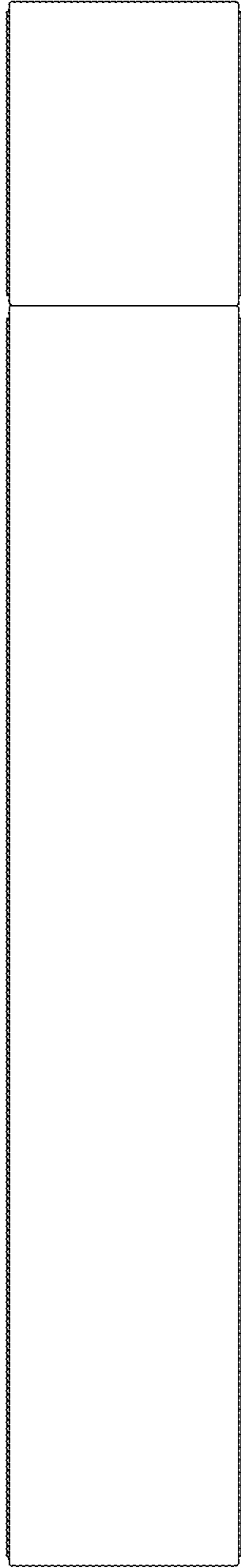
**FIG. 9**



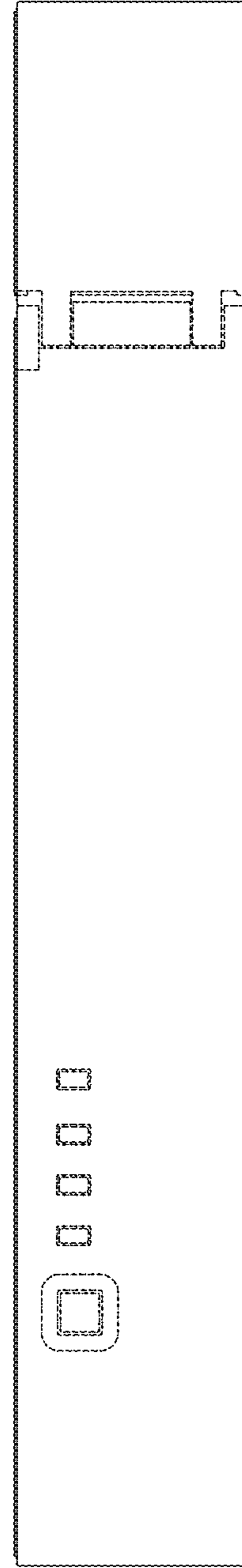
***FIG. 10***



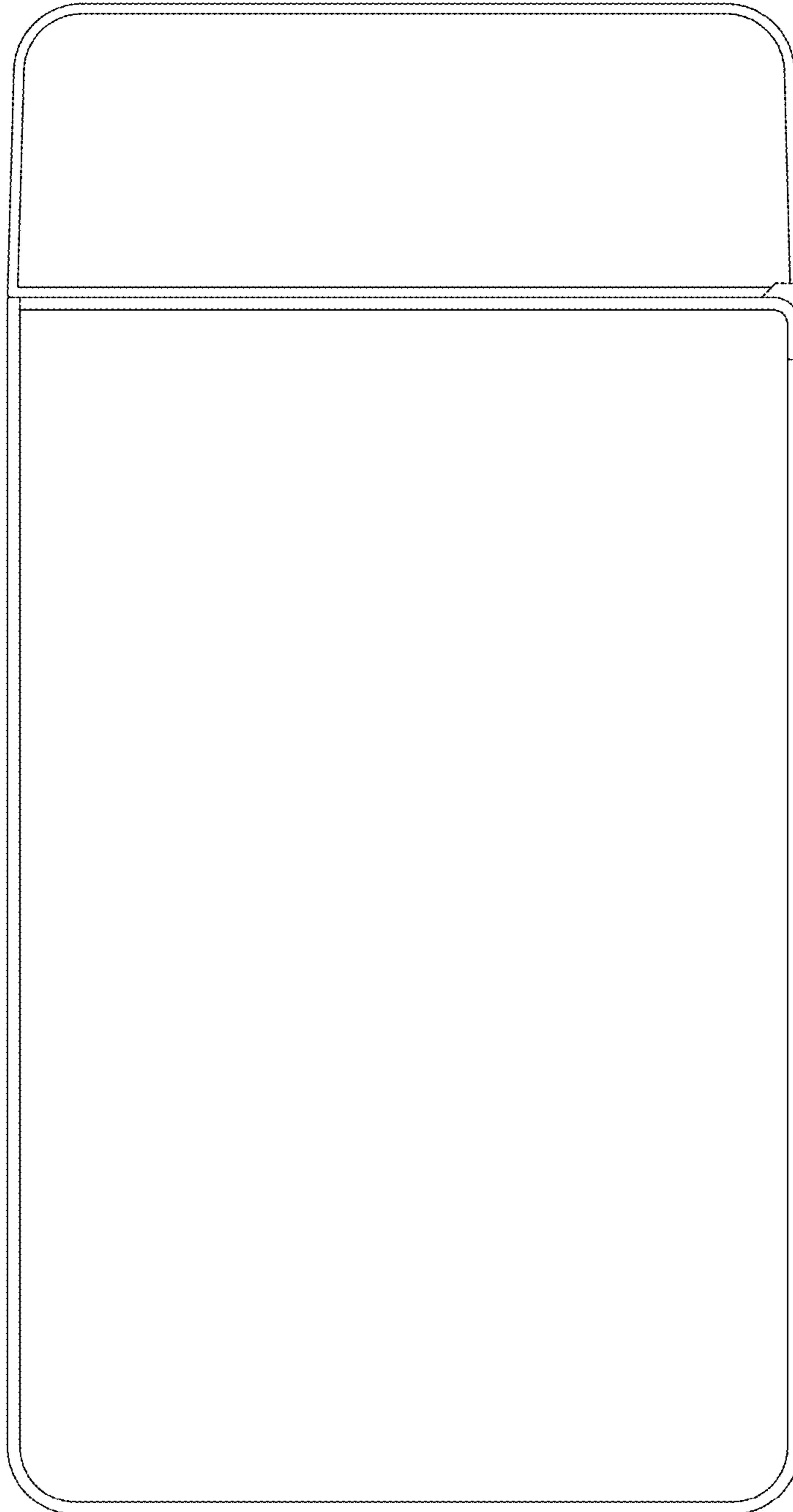
***FIG. 11***



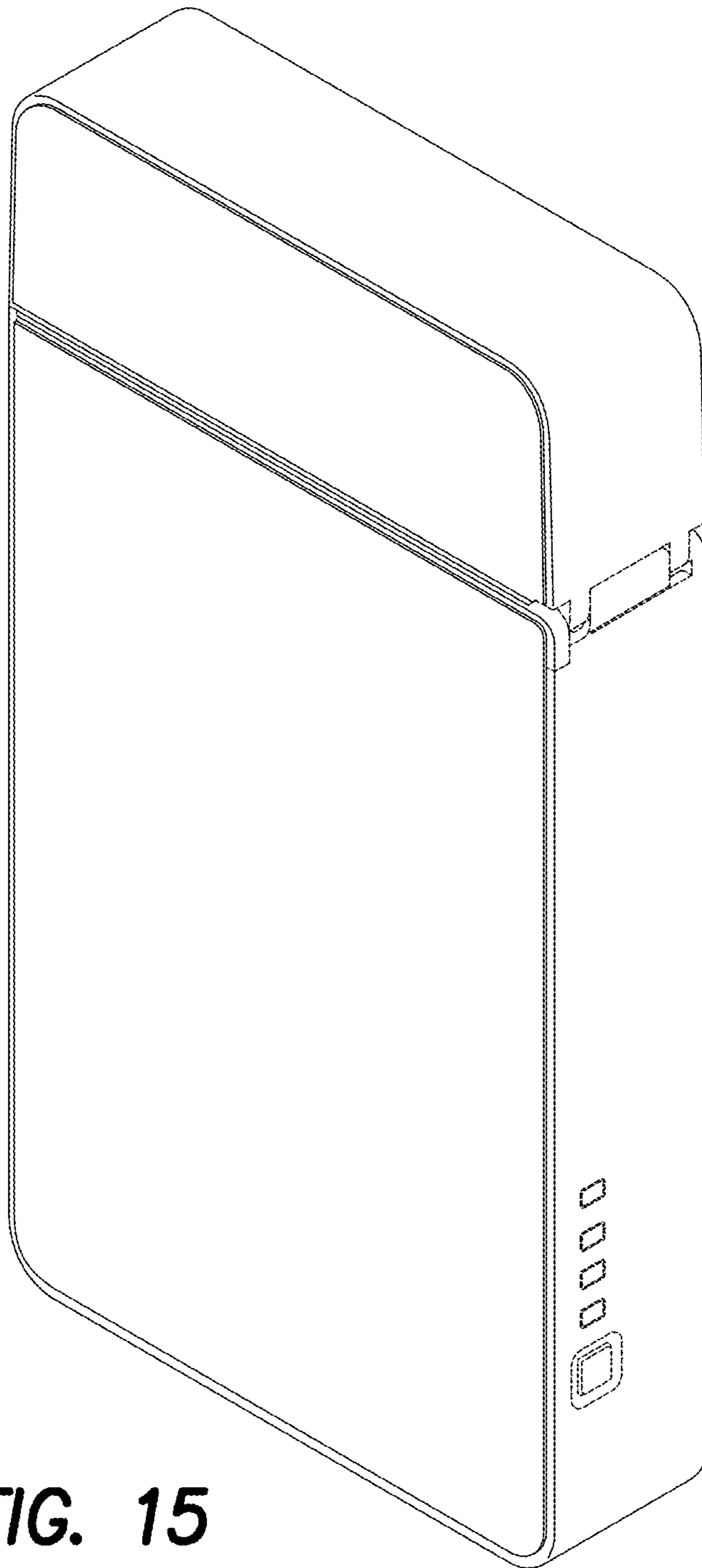
**FIG. 12**



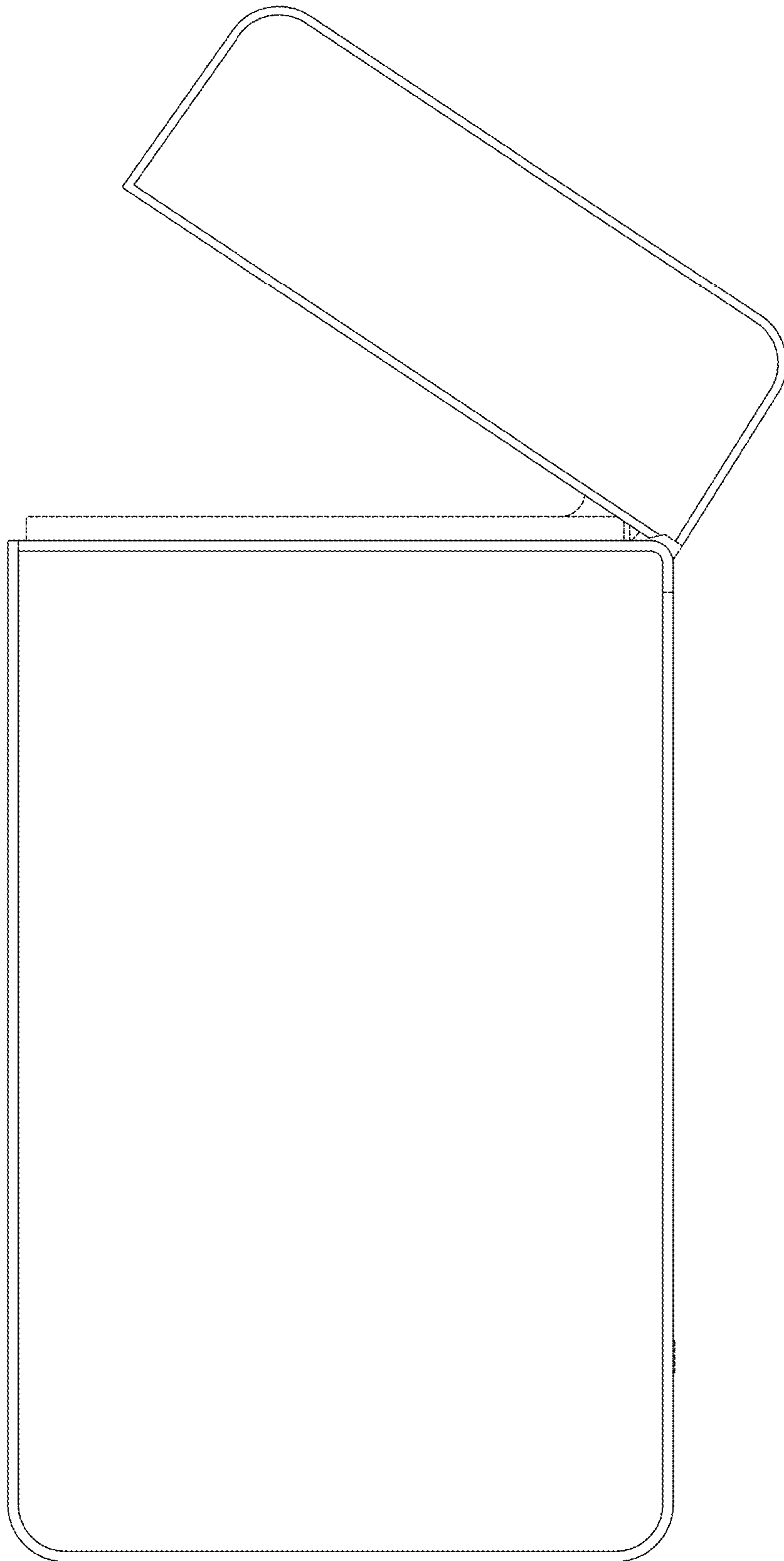
**FIG. 13**



**FIG. 14**



**FIG. 15**



**FIG. 16**