



US00D770678S

(12) **United States Design Patent** (10) **Patent No.:** **US D770,678 S**  
**Shin** (45) **Date of Patent:** **\*\* Nov. 1, 2016**

(54) **ELECTRONIC CIGARETTE**  
(71) Applicant: **Jong-Soo Shin**, Chungcheongbuk-do (KR)  
(72) Inventor: **Jong-Soo Shin**, Chungcheongbuk-do (KR)  
(\*\*) Term: **15 Years**  
(21) Appl. No.: **29/540,462**  
(22) Filed: **Sep. 24, 2015**  
(30) **Foreign Application Priority Data**  
Mar. 27, 2015 (KR) ..... 30-2015-0015684  
(51) **LOC (10) Cl.** ..... **27-02**  
(52) **U.S. Cl.**  
USPC ..... **D27/163**  
(58) **Field of Classification Search**  
USPC ..... D3/203.1, 203.6; D9/432; D13/118, D13/119; D27/100, 139, 141, 142, 143, D27/144, 162, 163, 164, 167, 172-193, 194  
CPC ..... A24F 47/00; A24F 47/008; H05B 3/03; A61M 16/108; A61M 16/10  
See application file for complete search history.

(56) **References Cited**  
U.S. PATENT DOCUMENTS  
D368,552 S \* 4/1996 Adams ..... D27/194  
D411,332 S \* 6/1999 Zelenik ..... D27/187  
5,934,289 A \* 8/1999 Watkins ..... A24F 47/008  
128/202.21  
D433,532 S \* 11/2000 Higgins ..... D27/186  
6,615,840 B1 \* 9/2003 Fournier ..... A24F 47/008  
131/194  
D547,440 S \* 7/2007 Louet-Feisser ..... D24/110  
D547,859 S \* 7/2007 Choi ..... D24/113  
D617,042 S \* 6/2010 Wong ..... D27/139  
D649,708 S \* 11/2011 Oneil ..... D27/163  
D654,160 S \* 2/2012 Yomtov ..... D23/360  
D681,875 S \* 5/2013 Park ..... D27/141  
D717,488 S \* 11/2014 Martin ..... D27/141

D728,855 S \* 5/2015 Liu ..... D27/163  
D736,455 S \* 8/2015 Liu ..... D27/189  
D743,099 S \* 11/2015 Oglesby ..... D27/101  
D745,213 S \* 12/2015 Alima ..... D27/143  
D748,325 S \* 1/2016 Leidel ..... D27/163  
D751,756 S \* 3/2016 Hearn ..... D27/189  
2002/0005207 A1 \* 1/2002 Wrenn ..... A24C 5/478  
131/194  
2010/0163063 A1 \* 7/2010 Fernando ..... A24F 47/008  
131/184.1  
2010/0313901 A1 \* 12/2010 Fernando ..... A24F 47/008  
131/330  
2013/0167854 A1 \* 7/2013 Shin ..... A24F 47/008  
131/329  
2014/0014125 A1 \* 1/2014 Fernando ..... A24F 47/008  
131/328  
2014/0217085 A1 \* 8/2014 Alima ..... F23Q 7/16  
219/474  
2015/0114410 A1 \* 4/2015 Doster ..... A24F 47/008  
131/329  
2016/0160967 A1 \* 6/2016 Shin ..... F16H 21/44  
74/103

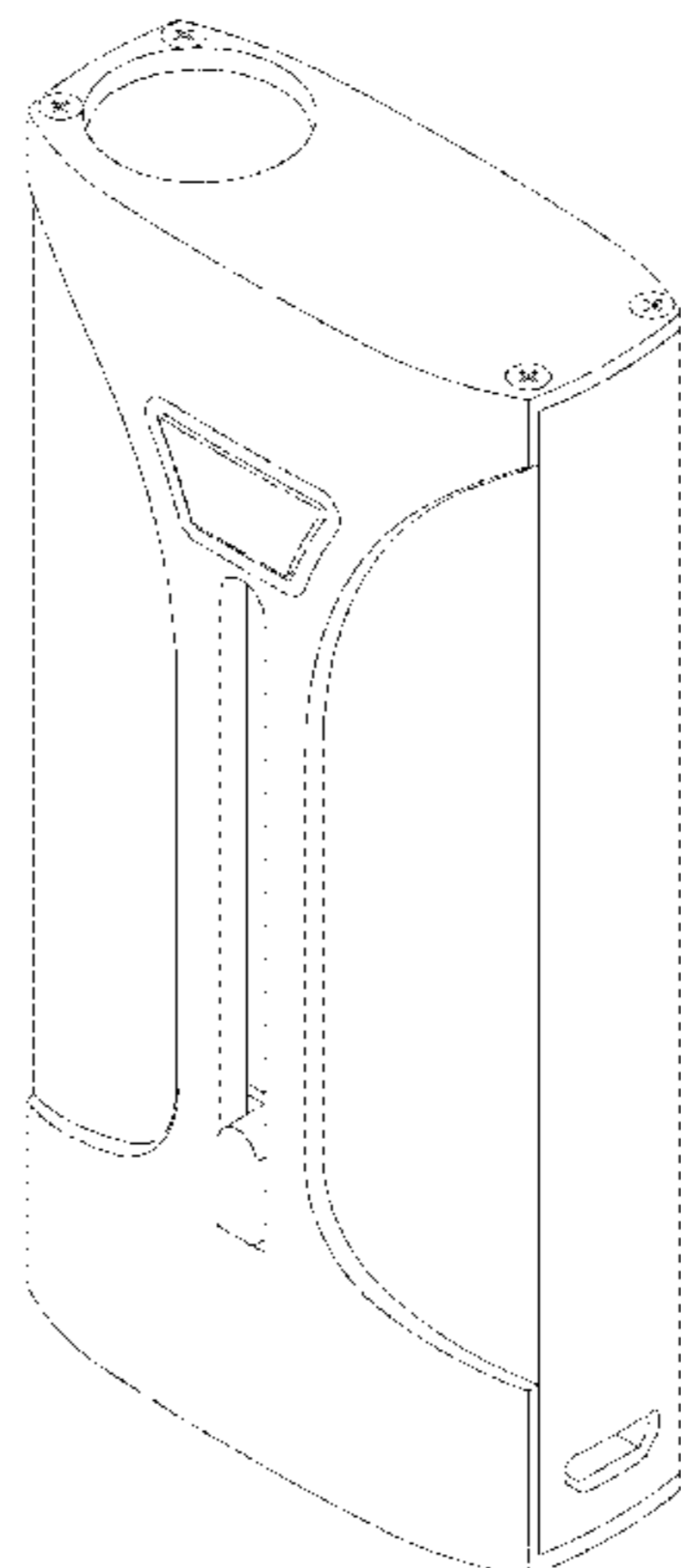
\* cited by examiner  
*Primary Examiner* — Robert M Spear  
*Assistant Examiner* — Marissa J Cash  
(74) *Attorney, Agent, or Firm* — Workman Nydegger

(57) **CLAIM**  
The ornamental design for an electronic cigarette, as shown and described.

**DESCRIPTION**

FIG. 1 is a right front perspective view of an electronic cigarette showing my new design;  
FIG. 2 is a front elevational view thereof;  
FIG. 3 is a front top perspective view thereof;  
FIG. 4 is a left front perspective view thereof;  
FIG. 5 is a rear elevational view thereof;  
FIG. 6 is a left side elevational view thereof;  
FIG. 7 is a right side elevational view thereof;  
FIG. 8 is a top plan view thereof; and,  
FIG. 9 is a bottom plan view thereof.

**1 Claim, 8 Drawing Sheets**



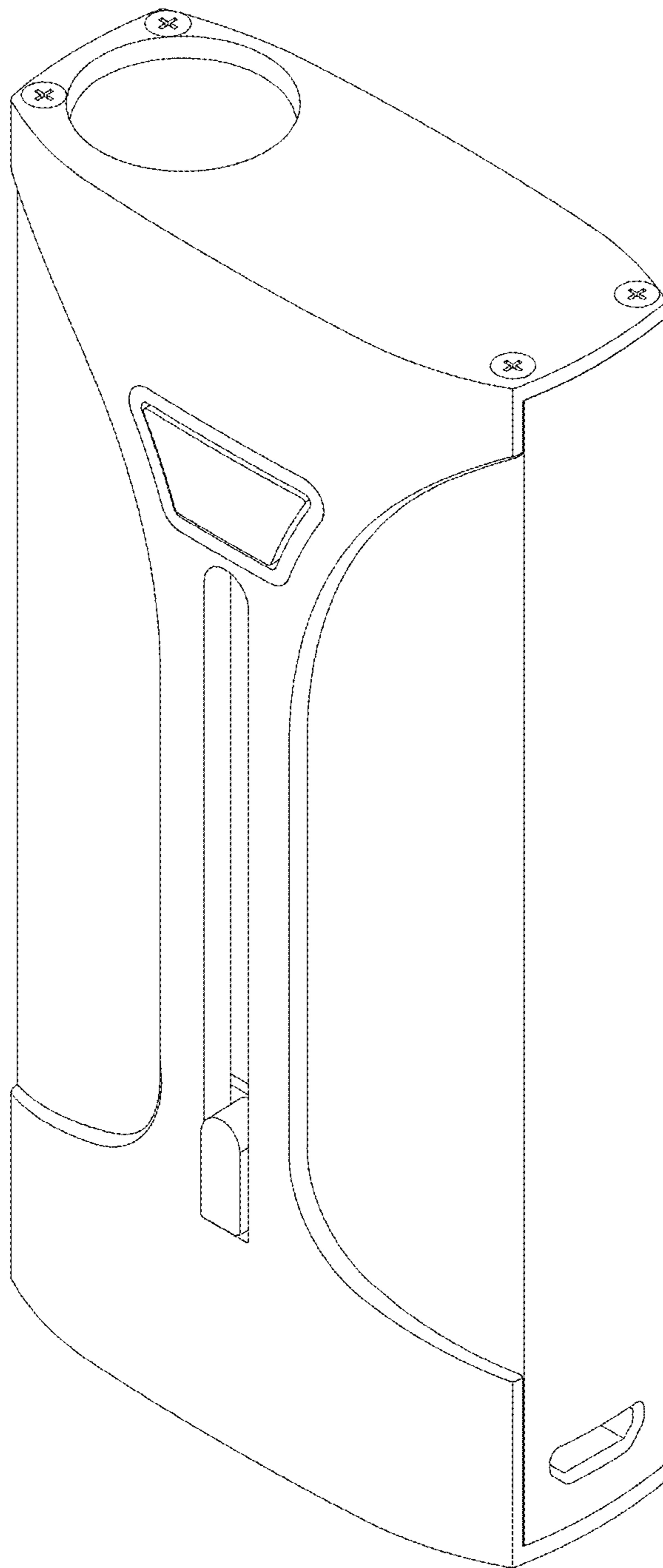
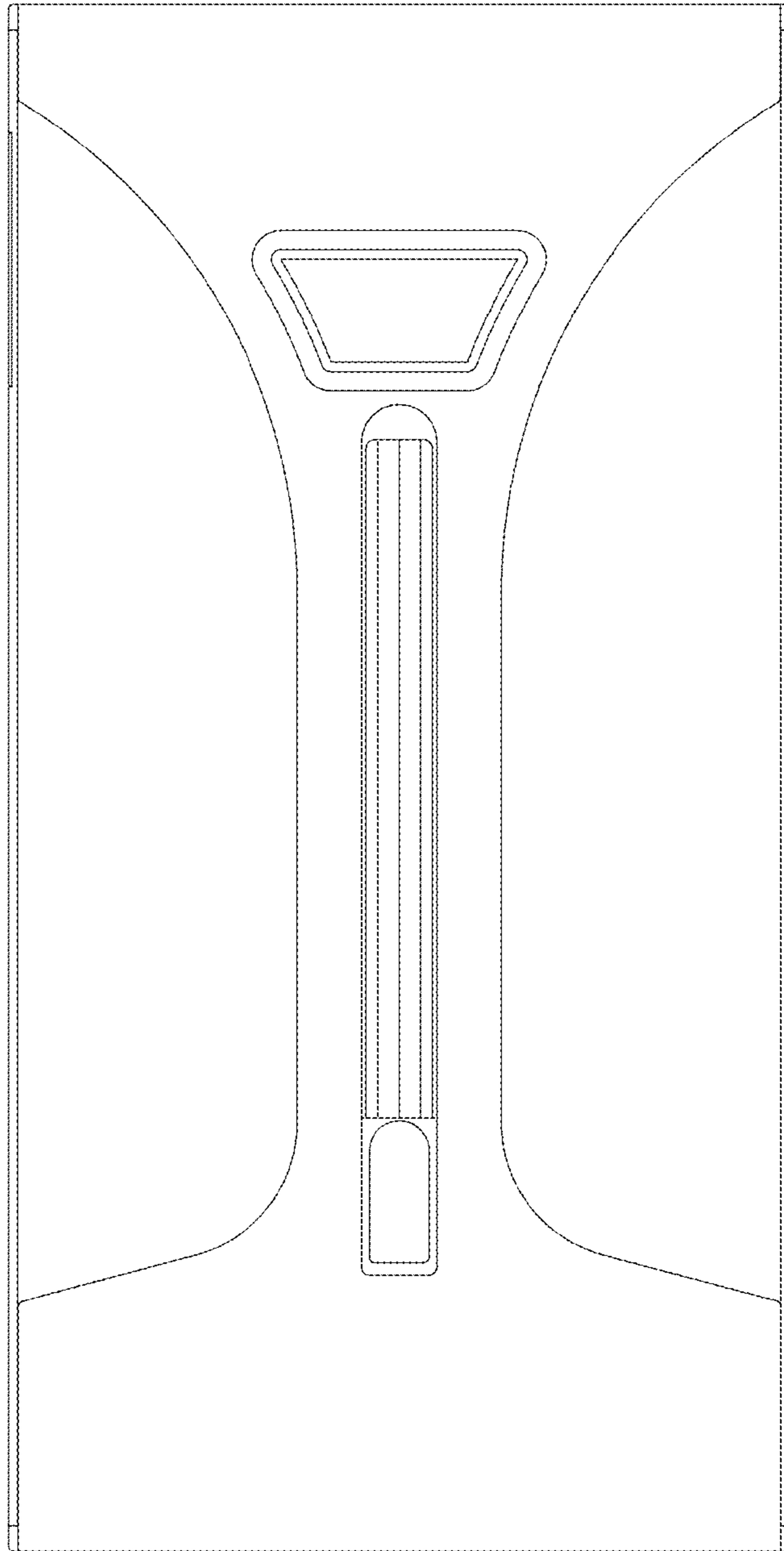


FIG. 1



**FIG. 2**

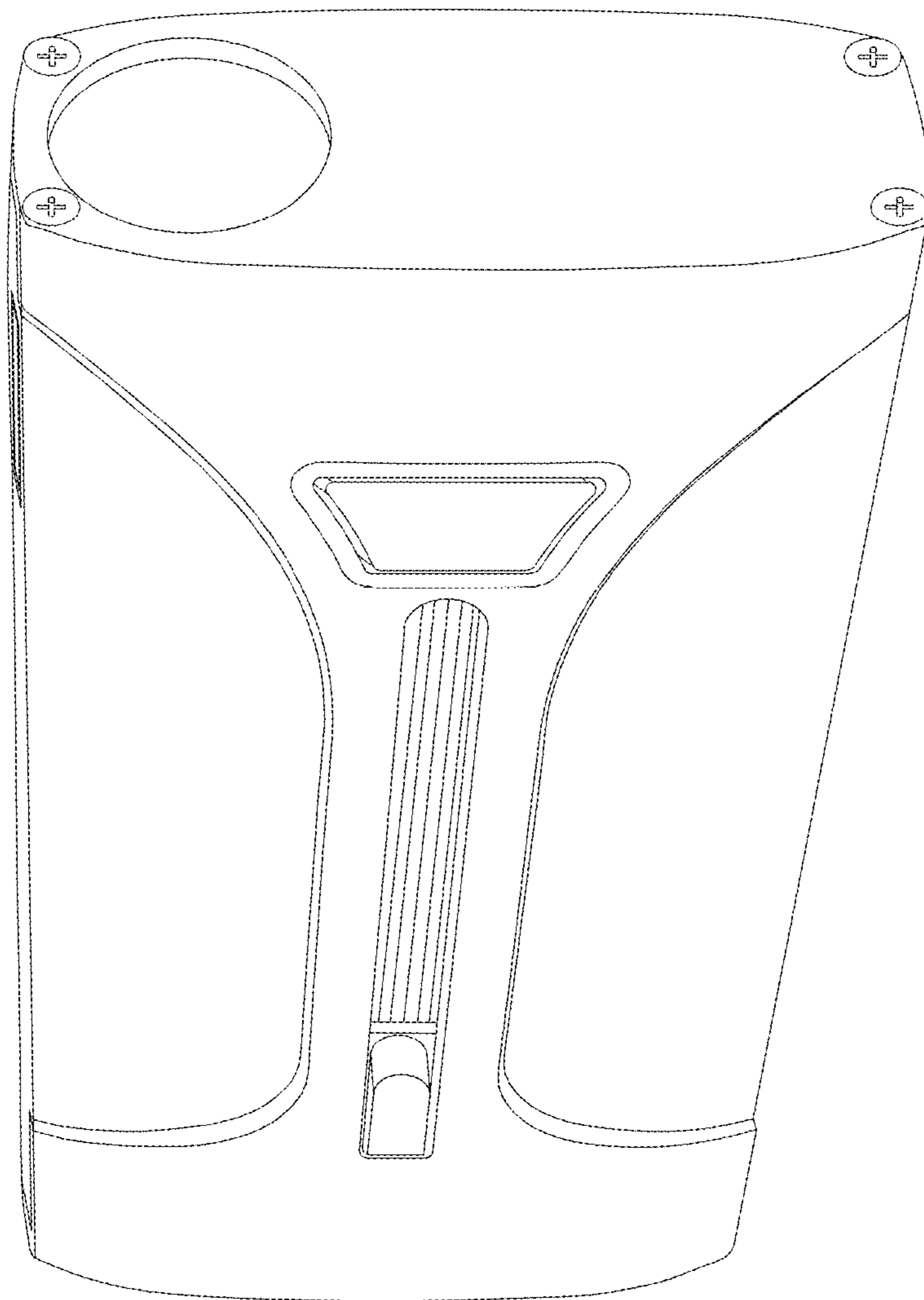


FIG. 3

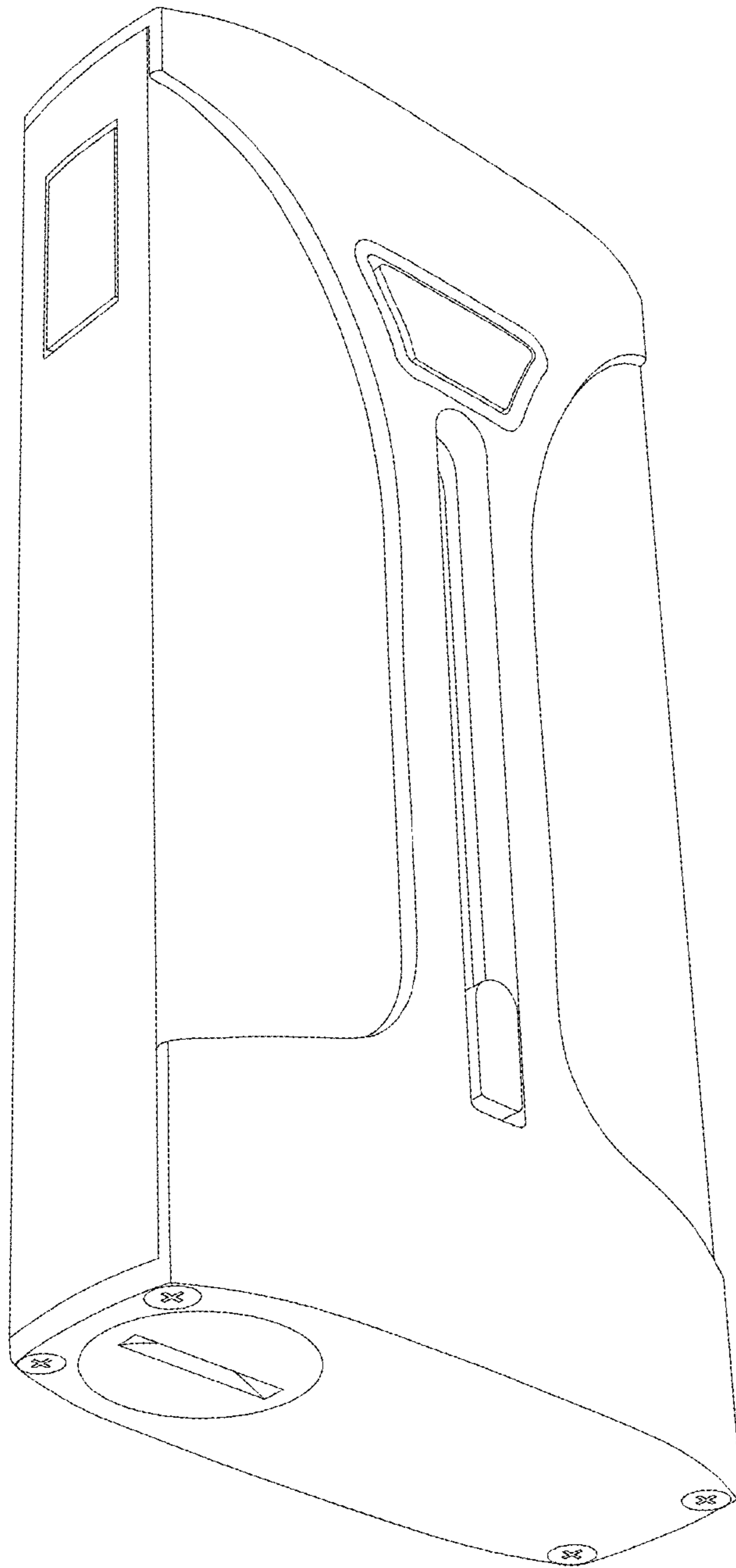
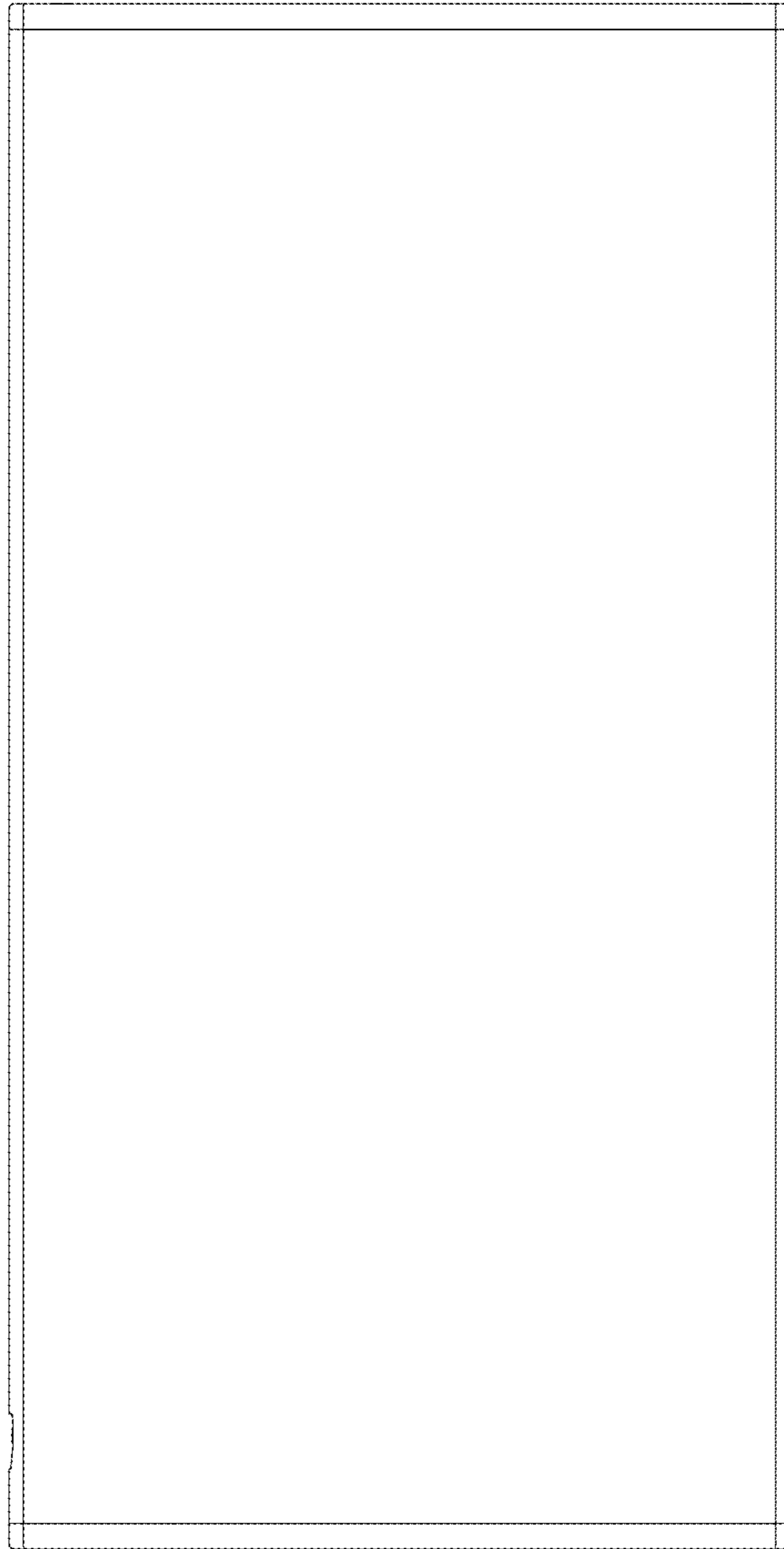


FIG. 4



**FIG. 5**

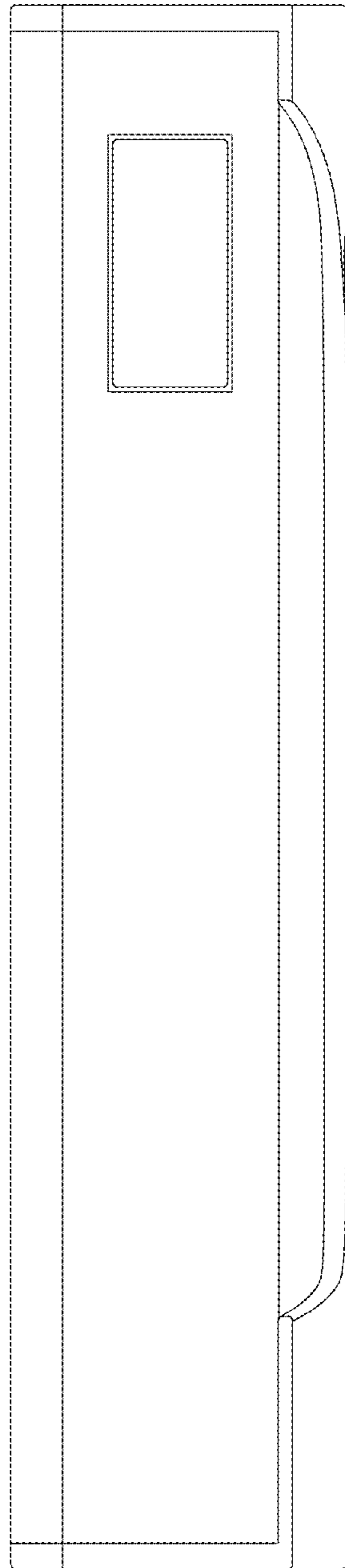


FIG. 6

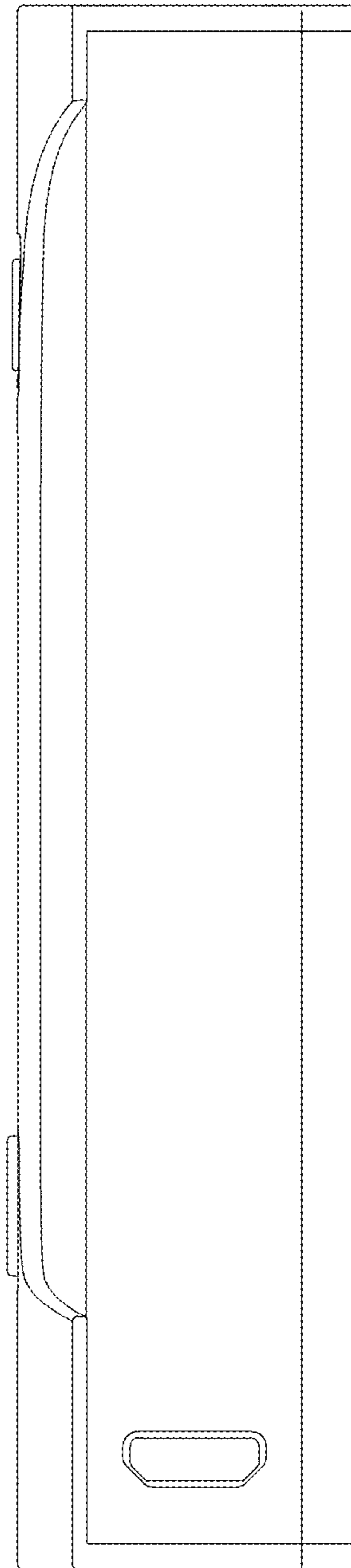
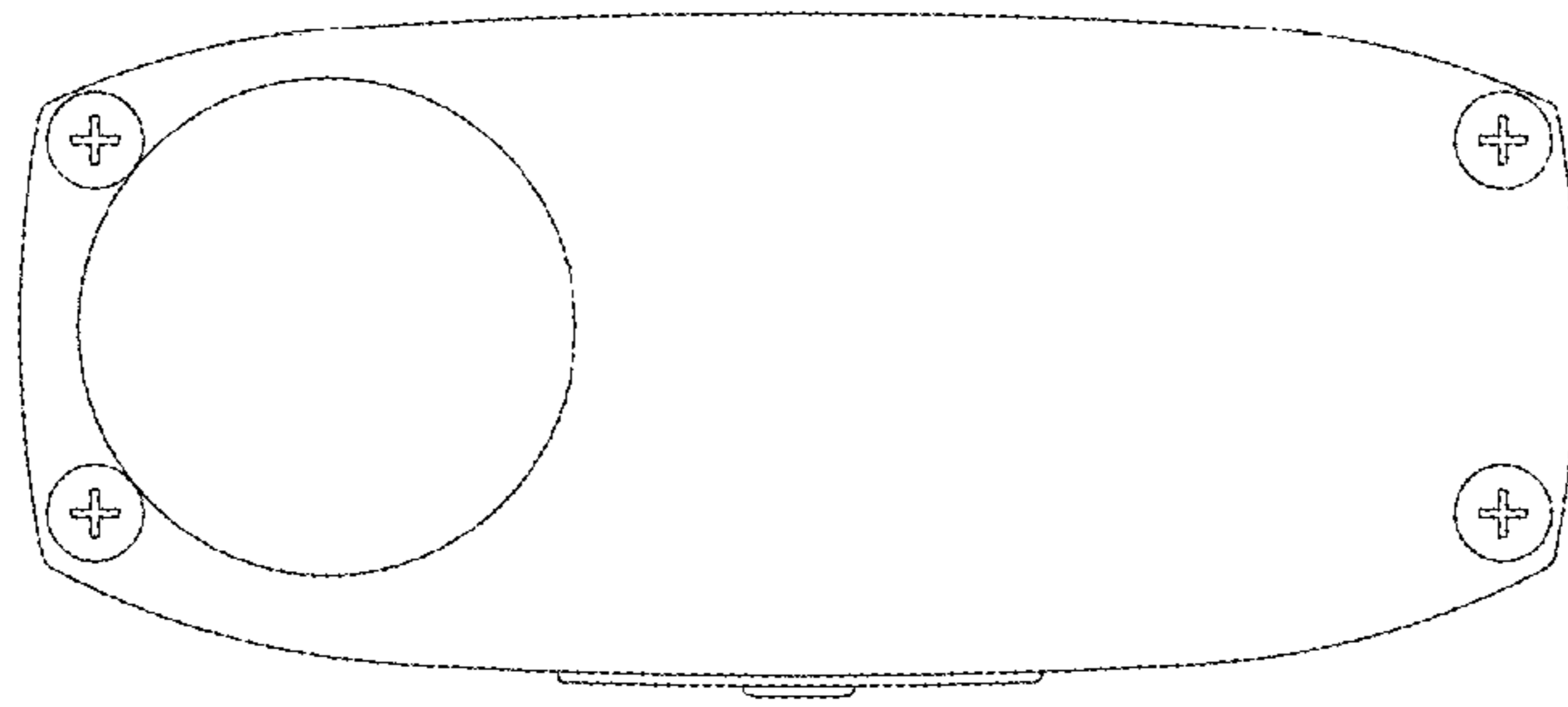
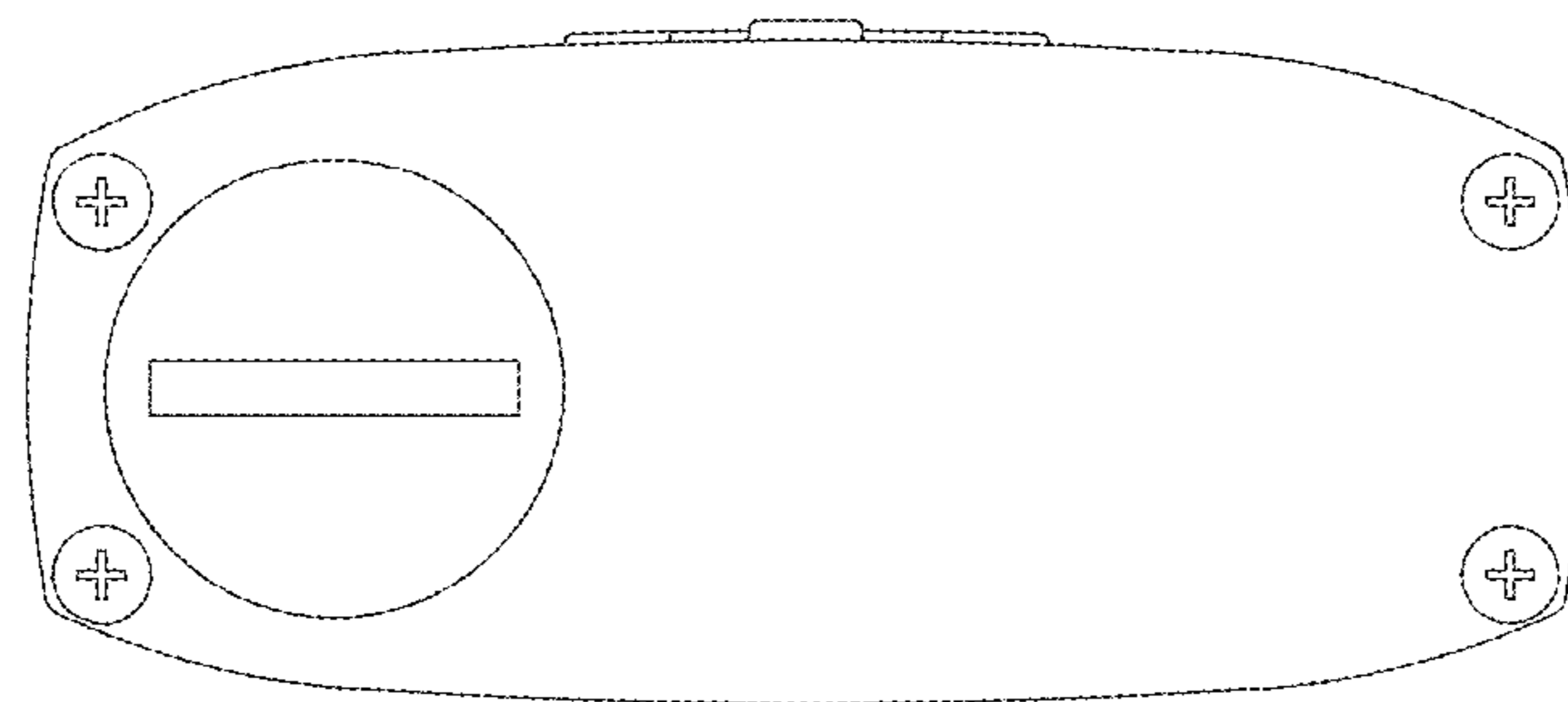


FIG. 7





**FIG. 8**



**FIG. 9**