



US00D770673S

(12) **United States Design Patent** (10) **Patent No.:** **US D770,673 S**
Hasan et al. (45) **Date of Patent:** **** Nov. 1, 2016**

(54) **LED LIGHT FIXTURE DOUBLE SEAL END CAP**

(71) Applicant: **RIG-A-LITE PARTNERSHIP, LTD.**,
Houston, TX (US)

(72) Inventors: **Syed Q. Hasan**, Sugar Land, TX (US);
Brent T. Gathright, Alvin, TX (US);
Anibal Z. Rosado, Pearland, TX (US);
William E. Martin, Rosharon, TX (US)

(73) Assignee: **Rig-A-Lite Partnership, Ltd.**, Houston,
TX (US)

(**) Term: **14 Years**

(21) Appl. No.: **29/508,951**

(22) Filed: **Nov. 12, 2014**

(51) **LOC (10) Cl.** **26-99**

(52) **U.S. Cl.**
USPC **D26/138**

(58) **Field of Classification Search**
USPC D26/76, 78, 79, 80, 81, 82, 83, 85, 88,
D26/90, 118, 119, 120, 121, 122, 138,
D26/140-142

CPC F21S 4/00; F21S 4/003; F21S 4/006;
F21S 4/007; F21S 4/008; F21S 6/004;
F21S 6/005; F21K 9/54; F21V 15/01; F21V
15/013

See application file for complete search history.

(56) **References Cited**

U.S. PATENT DOCUMENTS

D32,793 S * 6/1900 Fauber D26/139
D56,258 S * 9/1920 Ryder D26/139

D217,784 S * 6/1970 Filer et al. D26/138
D313,084 S * 12/1990 Bramble D26/113
D425,655 S * 5/2000 Dolan D26/142
D622,443 S * 8/2010 Huang D26/142
D637,340 S * 5/2011 Hasan D26/72
D656,264 S * 3/2012 Janssen D26/85
D684,310 S * 6/2013 Hashimoto D26/138
D700,737 S * 3/2014 Campagna D26/142
D744,127 S * 11/2015 Glachman D26/3
2014/0168981 A1 * 6/2014 VanStiphout F21V 19/003
362/249.02
2015/0131301 A1 * 5/2015 Ho F21V 19/004
362/382

* cited by examiner

Primary Examiner — George D Kirschbaum

Assistant Examiner — Natasha Vujcic

(74) *Attorney, Agent, or Firm* — Douglas W.

Rommelmann; Andrews Kurth LLP

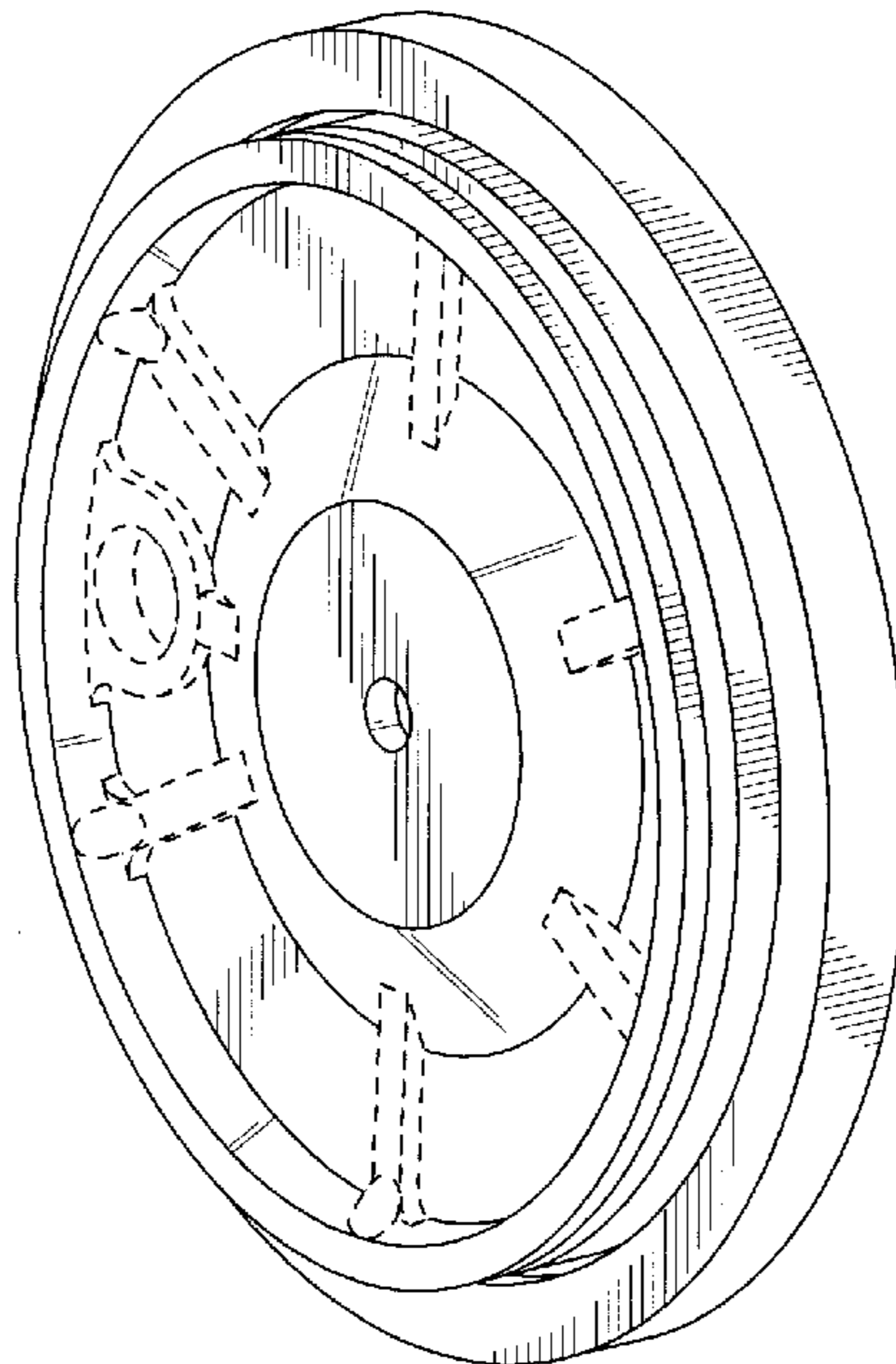
(57) **CLAIM**

The ornamental design for an LED light fixture double seal end cap, as shown and described.

DESCRIPTION

FIG. 1 is a rear perspective view of a LED light fixture double seal end cap showing the new design; FIG. 2 is a front perspective view thereof; FIG. 3 is a rear view thereof; FIG. 4 is a front view thereof; FIG. 5 is a right side view thereof; and, FIG. 6 is a left side view thereof. The broken lines in the drawings illustrate portions of the LED light fixture double seal end cap which forms no part of the claimed design.

1 Claim, 3 Drawing Sheets



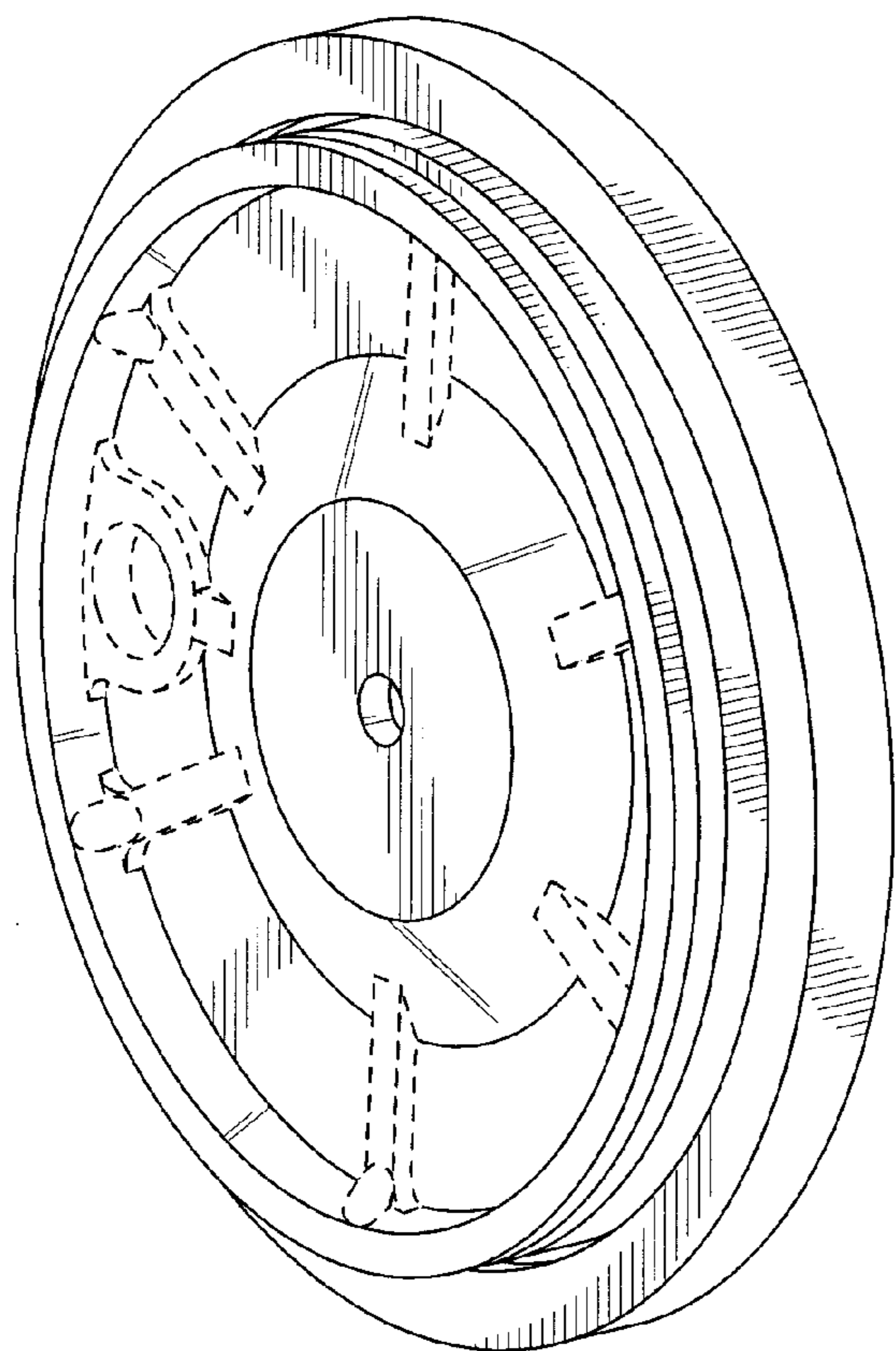


FIG. 1

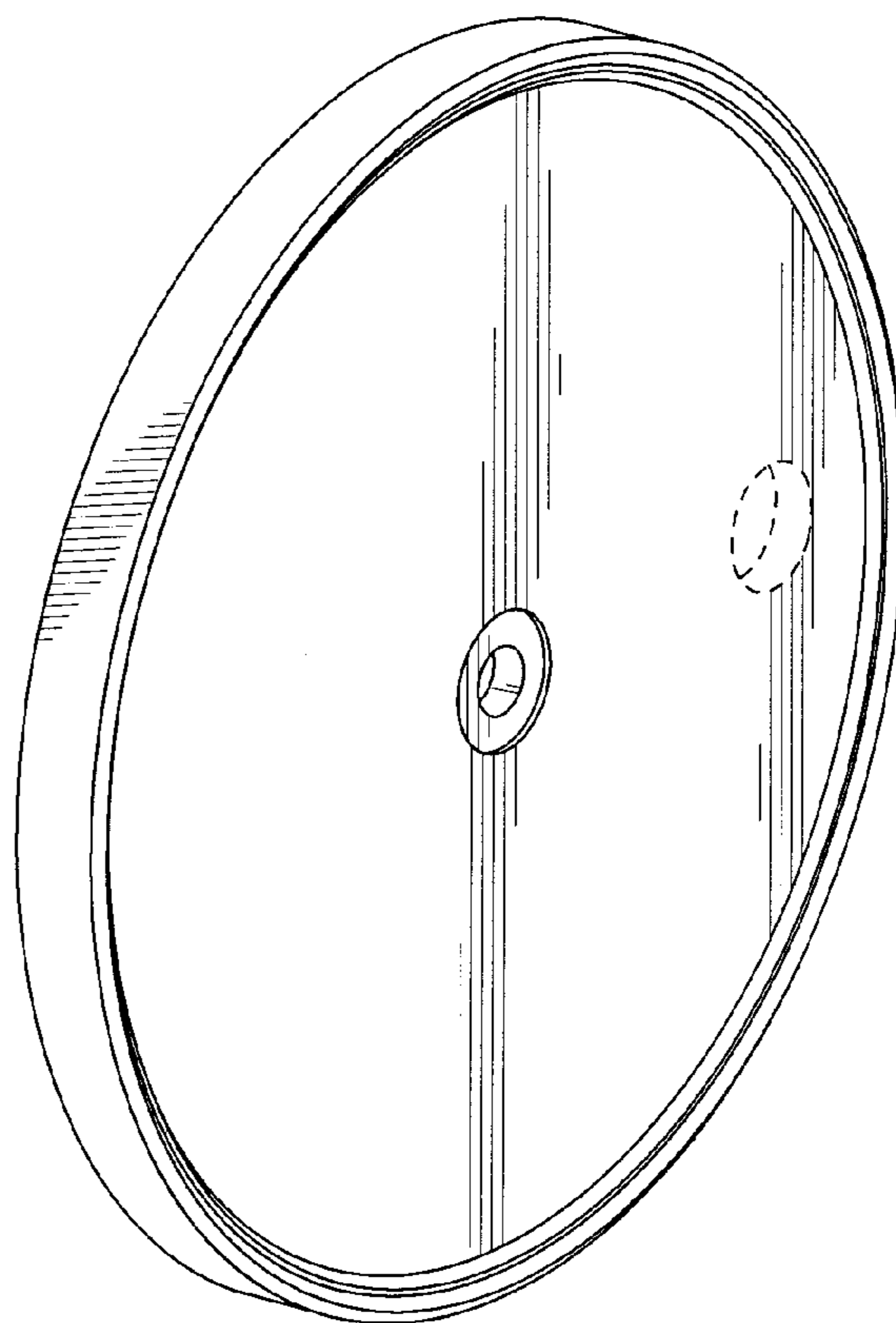


FIG. 2

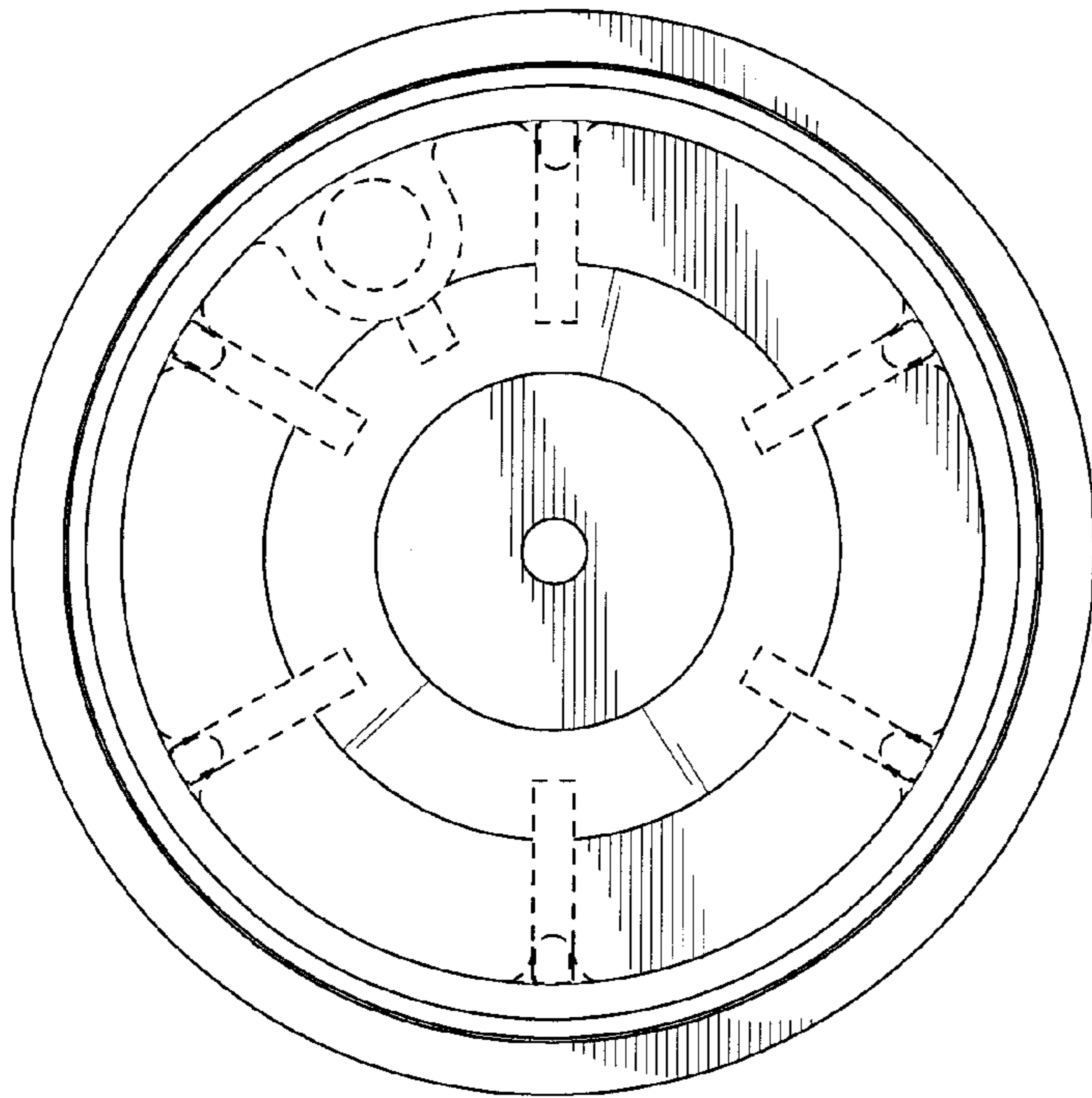


FIG. 3

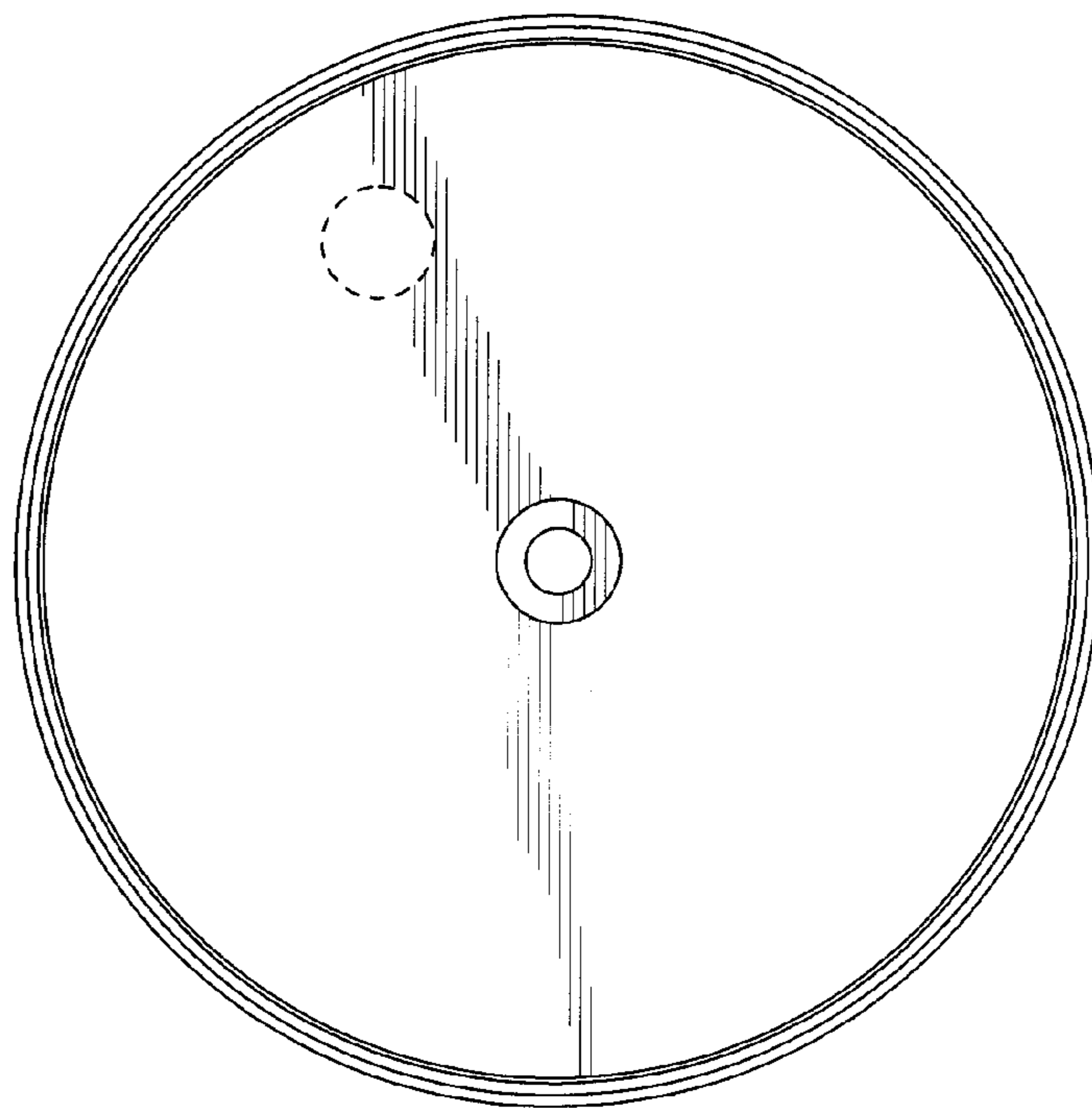


FIG. 4

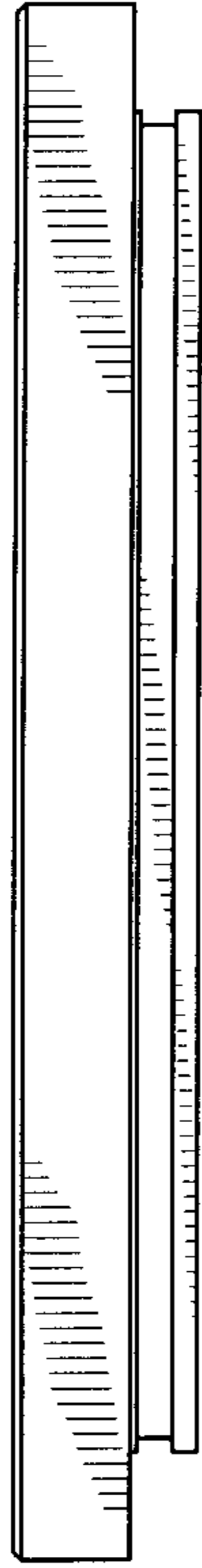


FIG. 5

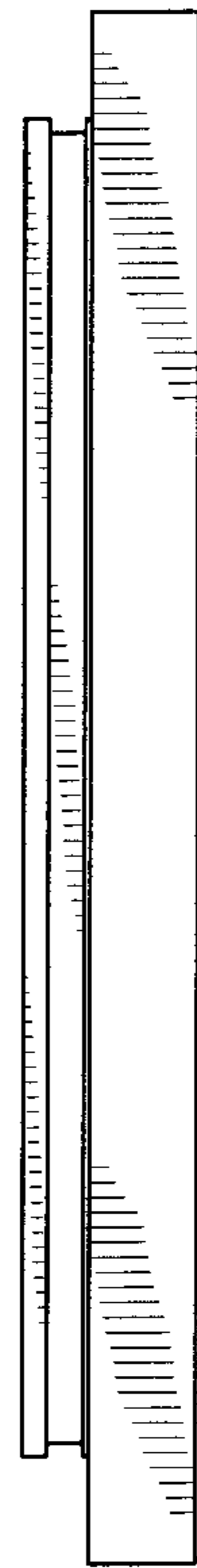


FIG. 6