



US00D770672S

(12) **United States Design Patent**
Ju et al.

(10) **Patent No.:** **US D770,672 S**
(45) **Date of Patent:** **** Nov. 1, 2016**

(54) **LED LAMP**

(71) Applicant: **Radiant Opto-Electronics Corporation, Kaohsiung (TW)**

(72) Inventors: **Chih-Hung Ju, Kaohsiung (TW); Kun-Feng Chen, Kaohsiung (TW)**

(73) Assignee: **Radiant Opto-Electronics Corporation, Kaohsiung (TW)**

(**) Term: **15 Years**

(21) Appl. No.: **29/530,595**

(22) Filed: **Jun. 18, 2015**

(30) **Foreign Application Priority Data**

Mar. 12, 2015 (TW) 104301262

(51) **LOC (10) Cl.** **26-99**

(52) **U.S. Cl.**
USPC **D26/128**

(58) **Field of Classification Search**
USPC D26/27, 118, 120, 128, 137
CPC F21S 8/00; F21V 1/00; F21V 3/00;
F21V 21/00; F21V 21/34
See application file for complete search history.

(56) **References Cited**

U.S. PATENT DOCUMENTS

D341,442 S 11/1993 Shapiro
D420,754 S * 2/2000 Huang D26/27

D481,157 S * 10/2003 Fickas D26/128
D494,310 S * 8/2004 Cline D26/128
D509,615 S 9/2005 Rashidi
D646,429 S * 10/2011 Sabernig D26/128

FOREIGN PATENT DOCUMENTS

TW 123034 11/1989
TW D145025 S1 1/2012

* cited by examiner

Primary Examiner — Brian N Vinson

(74) *Attorney, Agent, or Firm* — CKC & Partners Co., Ltd.

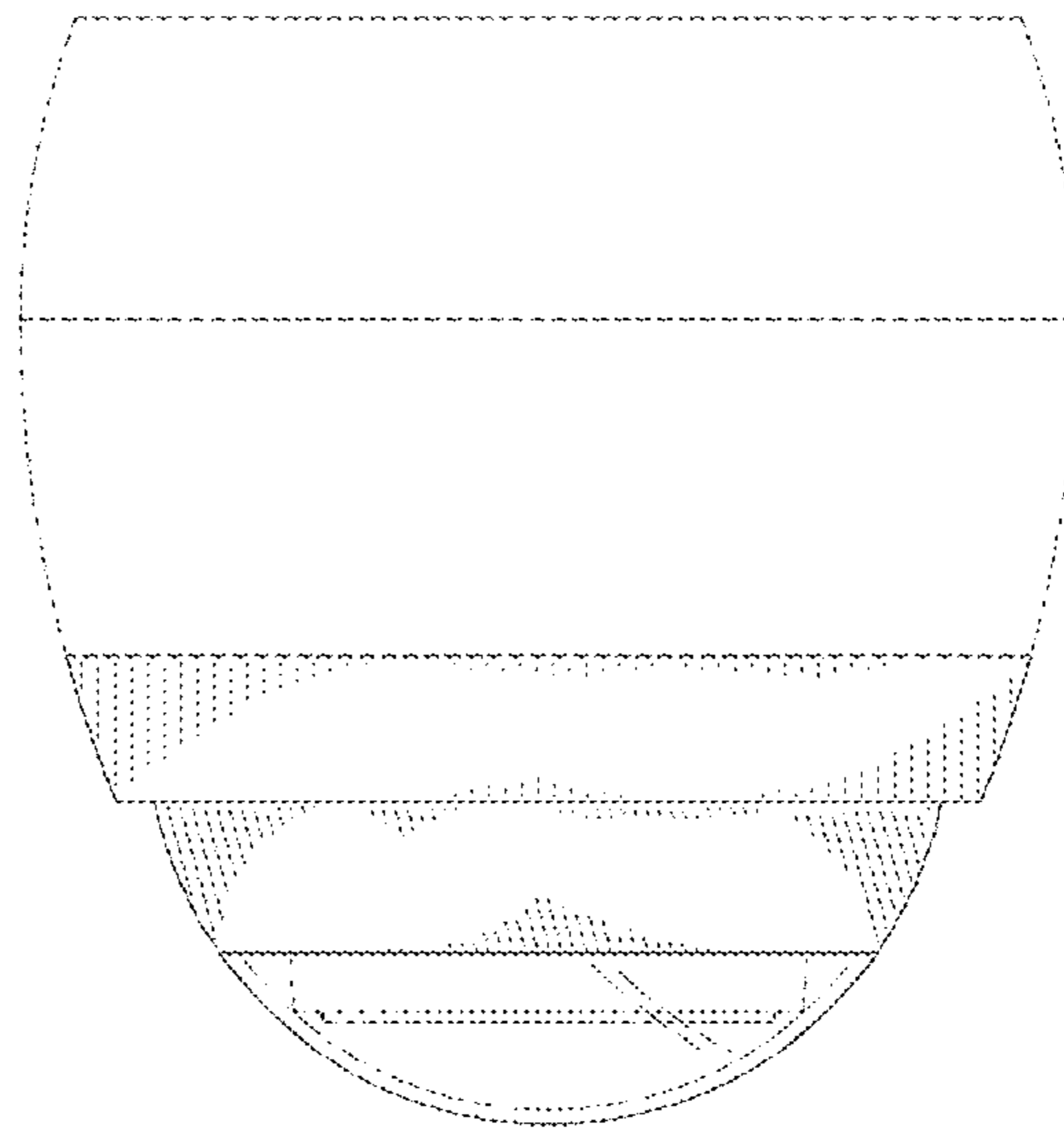
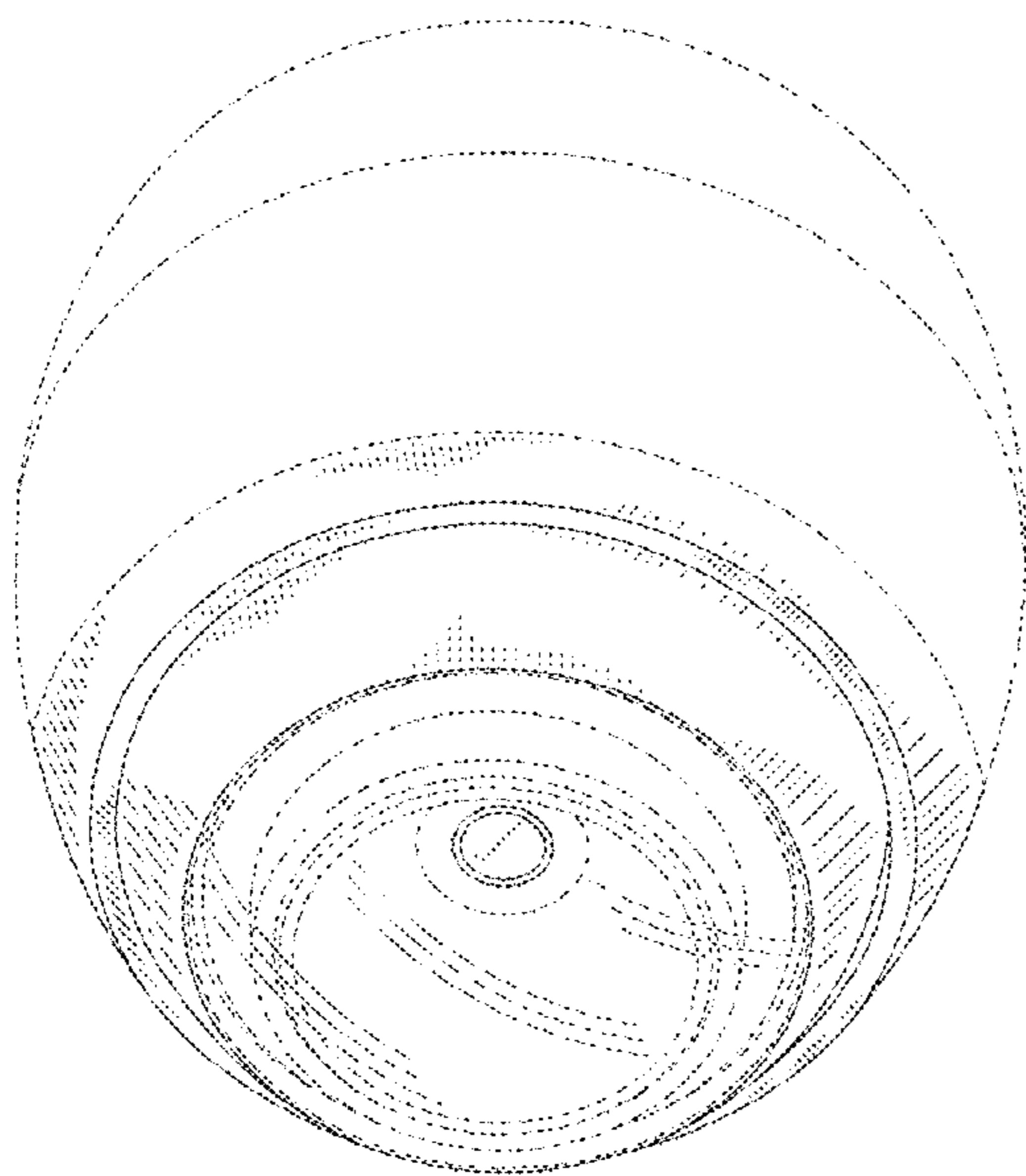
(57) **CLAIM**

The ornamental design for an LED lamp, as shown and described.

DESCRIPTION

FIG. 1 is a perspective view of an LED lamp showing our new design;
FIG. 2 is a front view thereof;
FIG. 3 is a rear view thereof;
FIG. 4 is a left side view thereof;
FIG. 5 is a right side view thereof;
FIG. 6 is a top view thereof;
FIG. 7 is a bottom view thereof;
FIG. 8 is an additional perspective view thereof; and,
FIG. 9 is another additional perspective view thereof.
The broken line disclosure represents portions of the lamp which form no part of the claimed design.

1 Claim, 9 Drawing Sheets



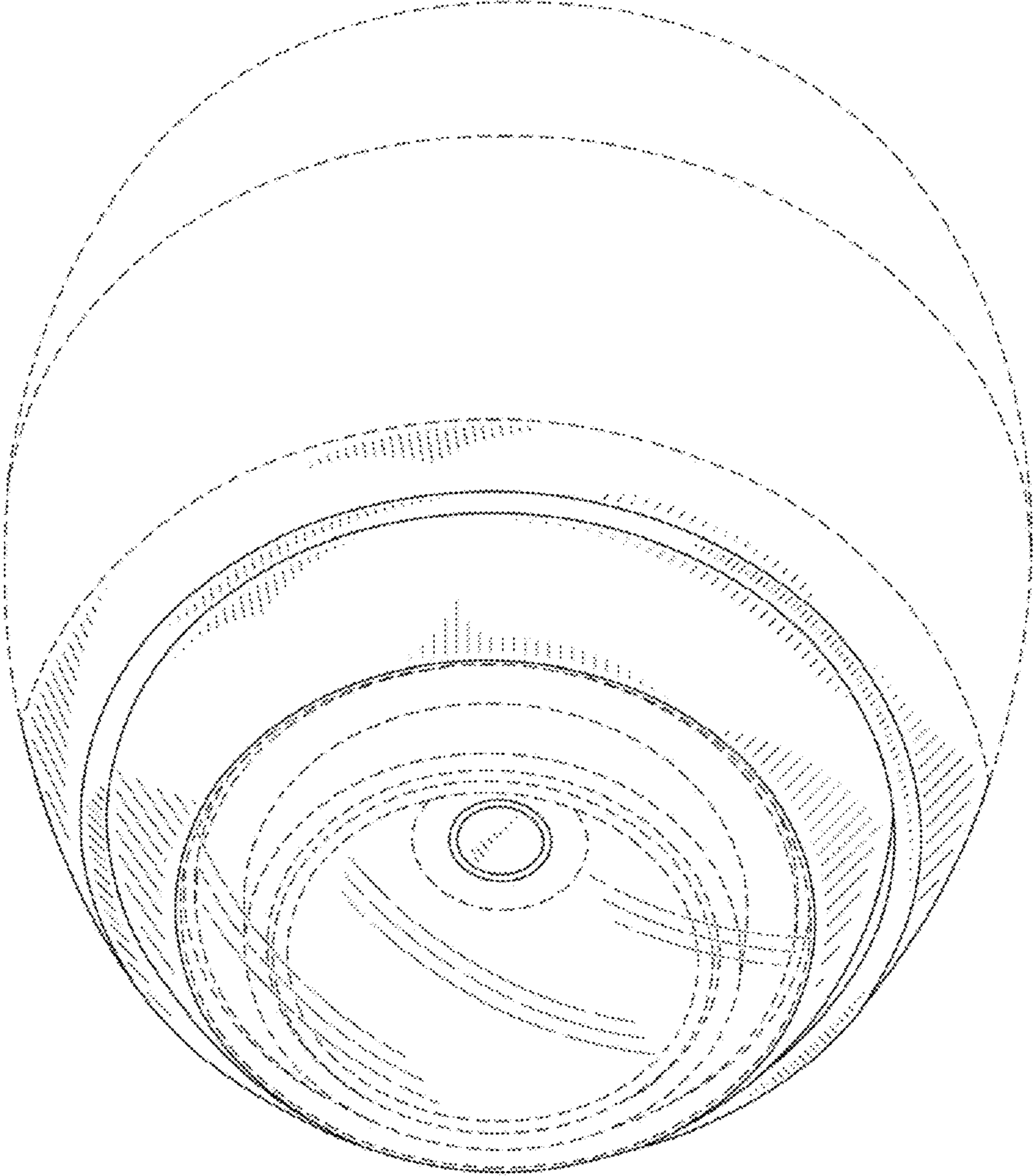


Fig. 1

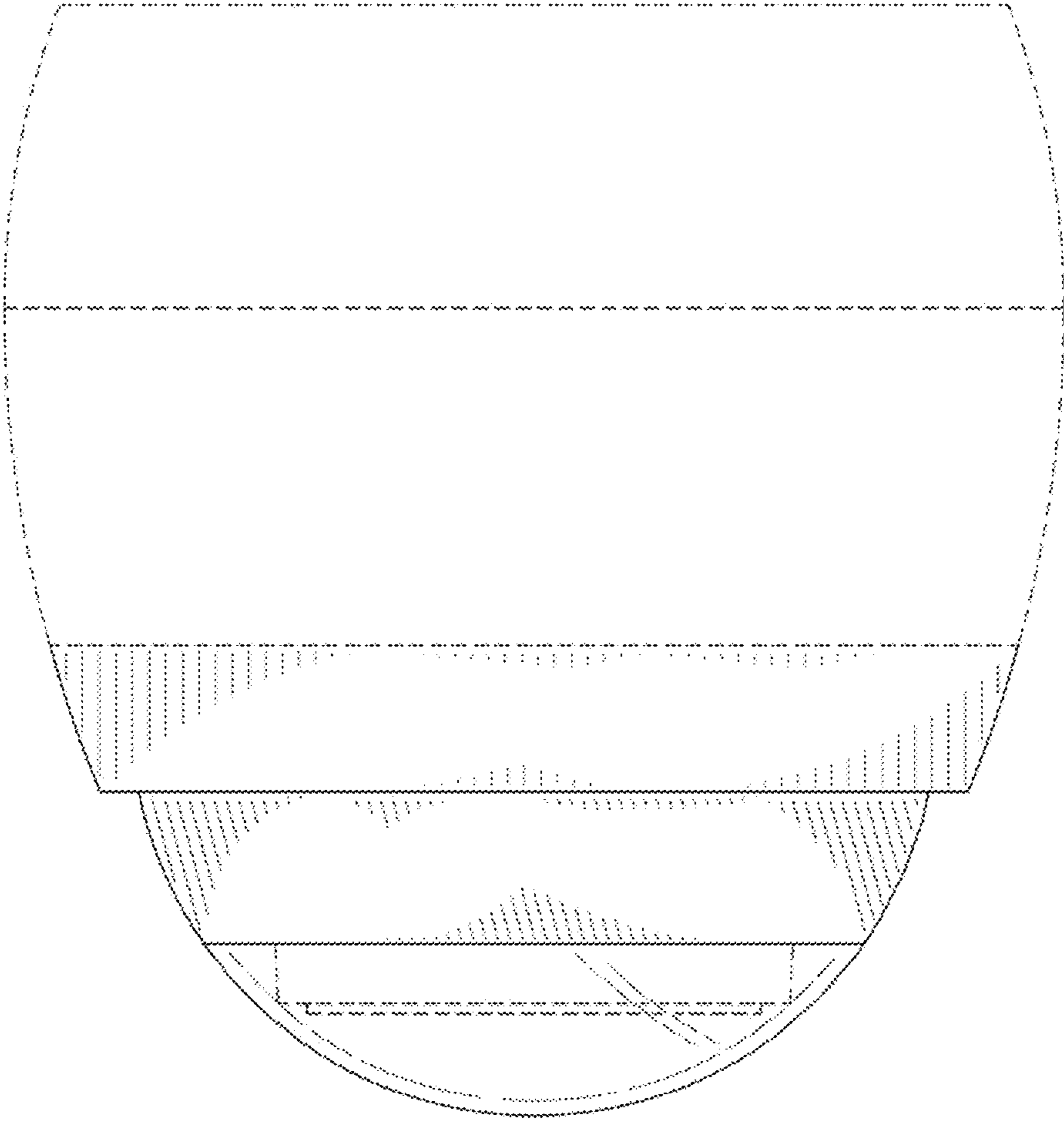


Fig. 2

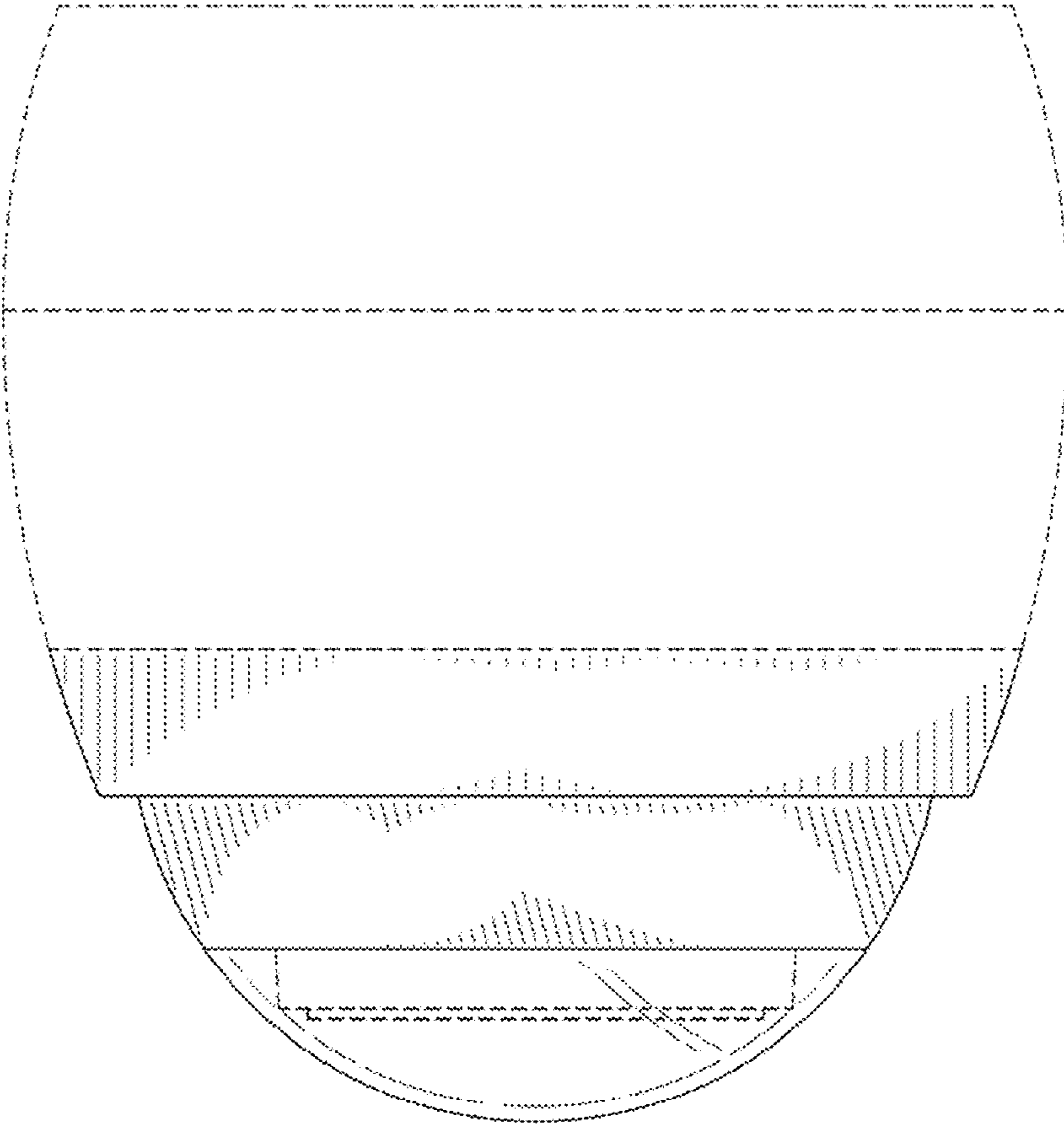


Fig. 3

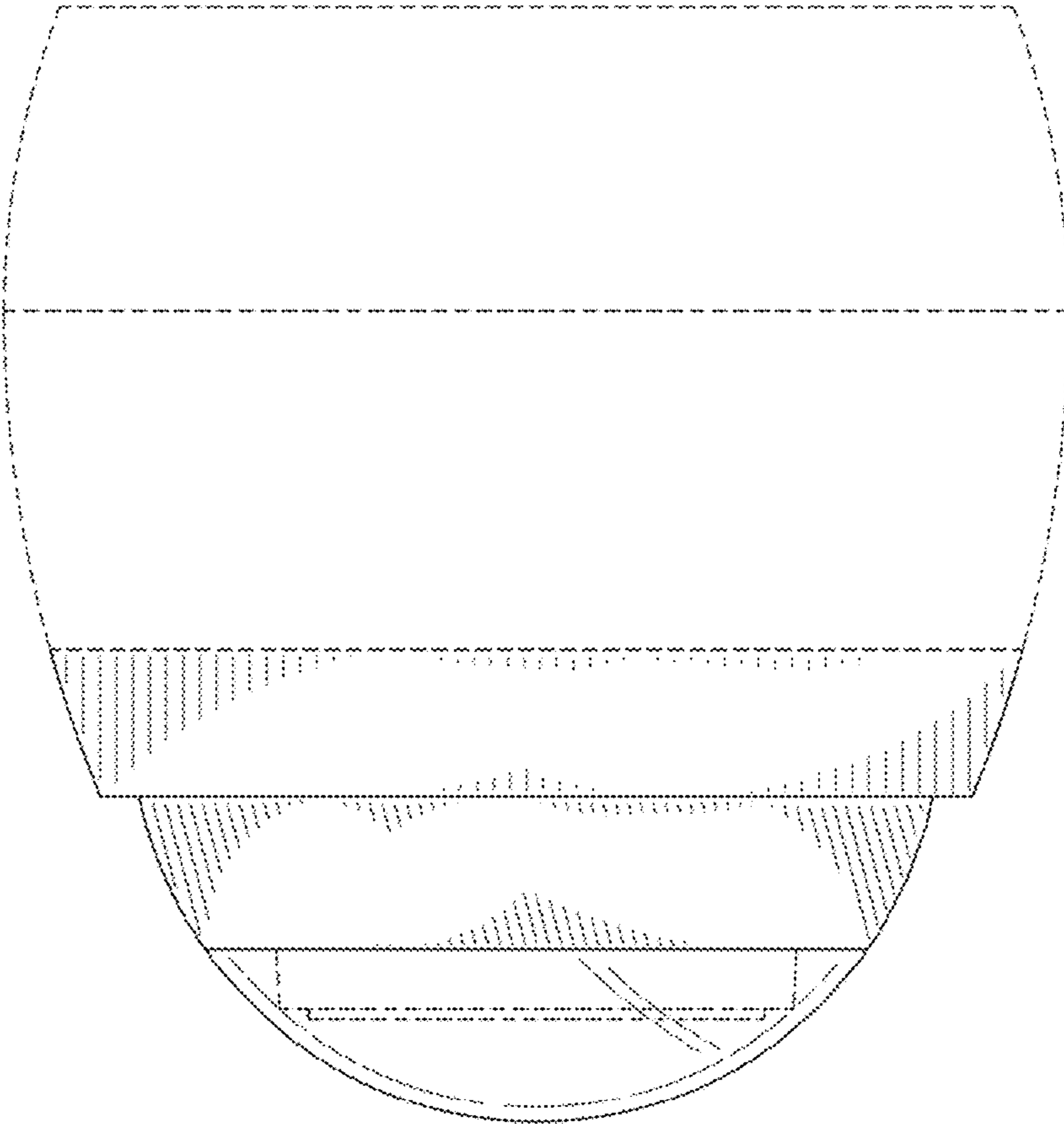


Fig. 4

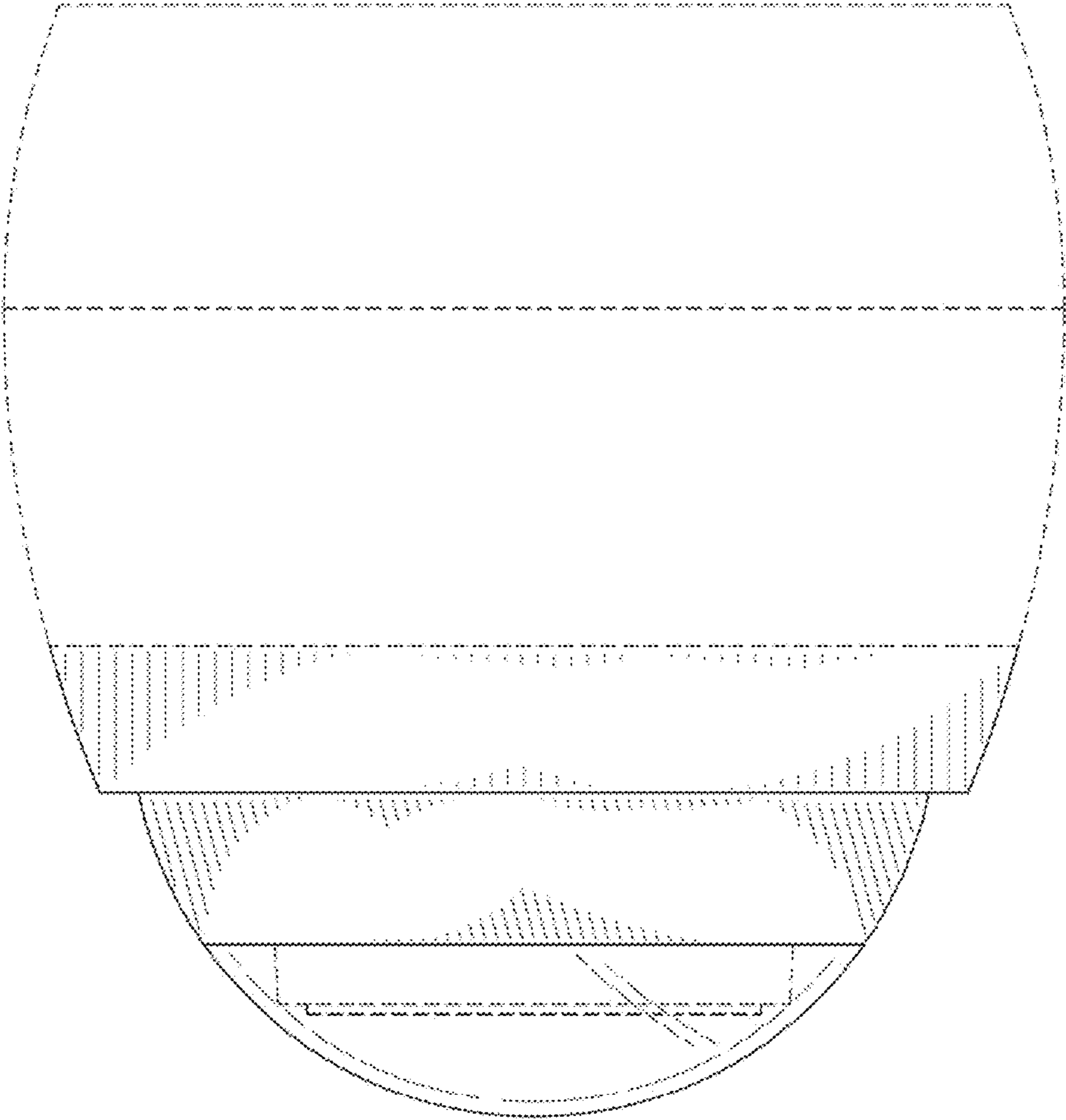


Fig. 5

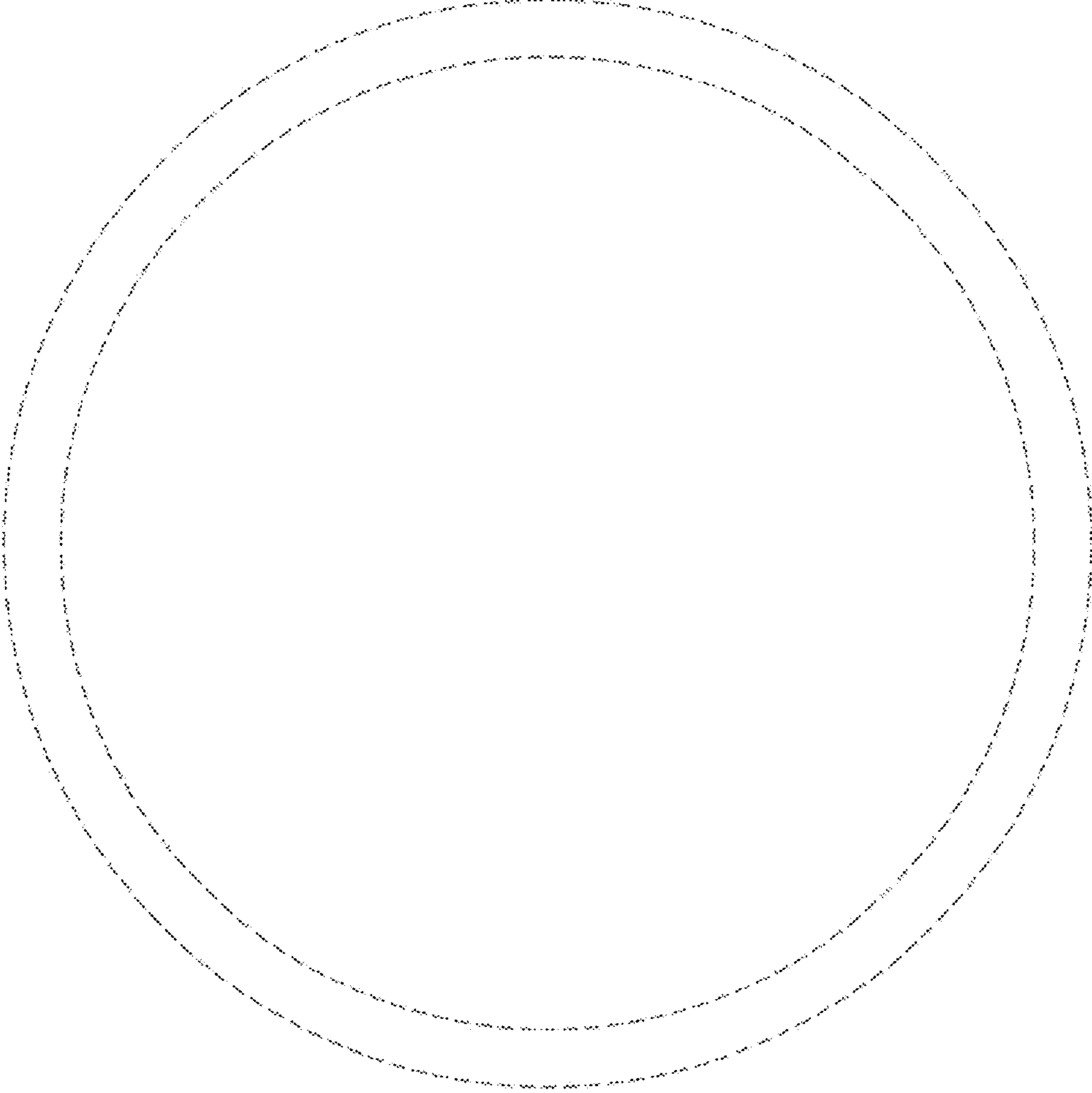


Fig. 6

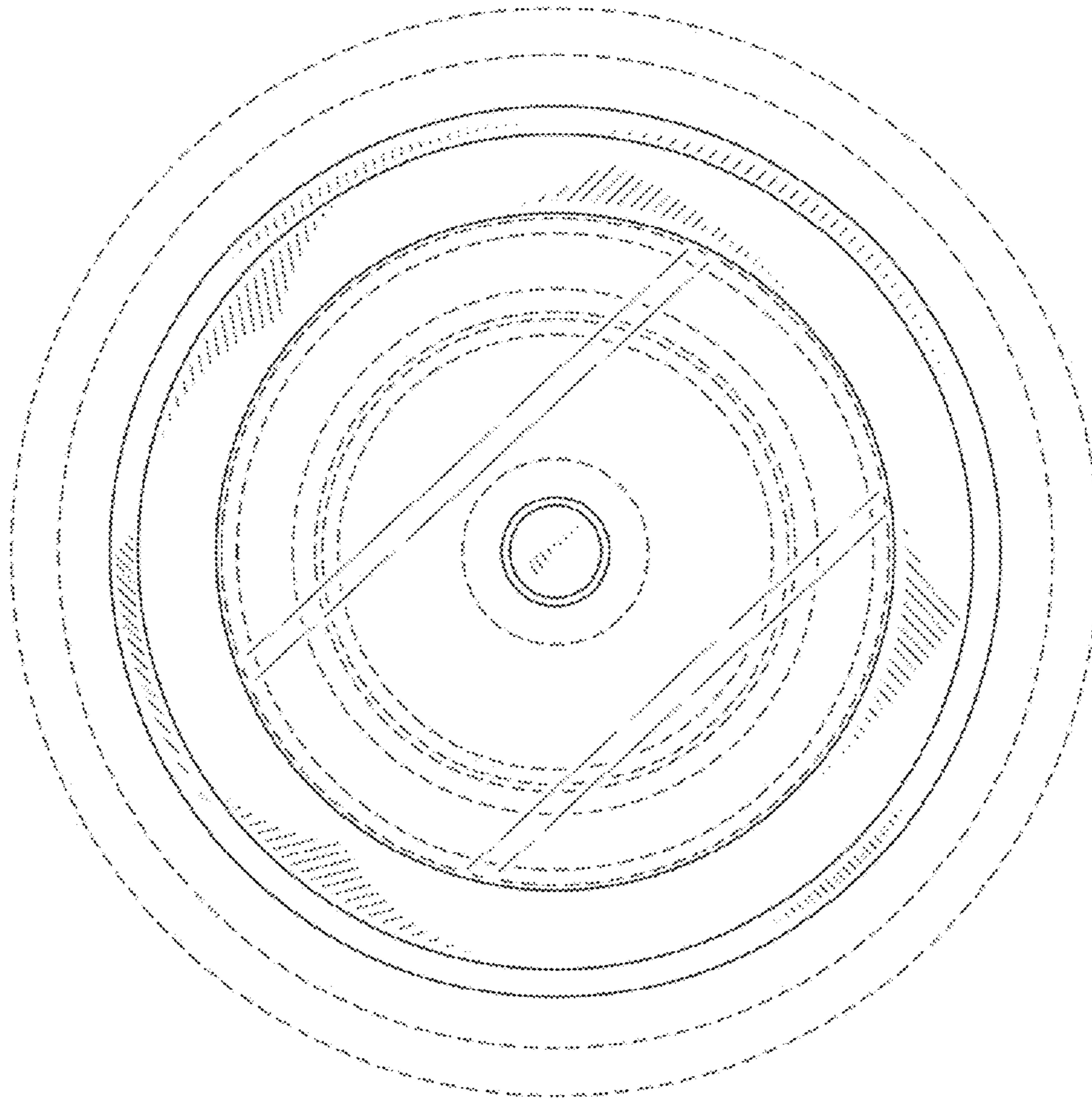


Fig. 7

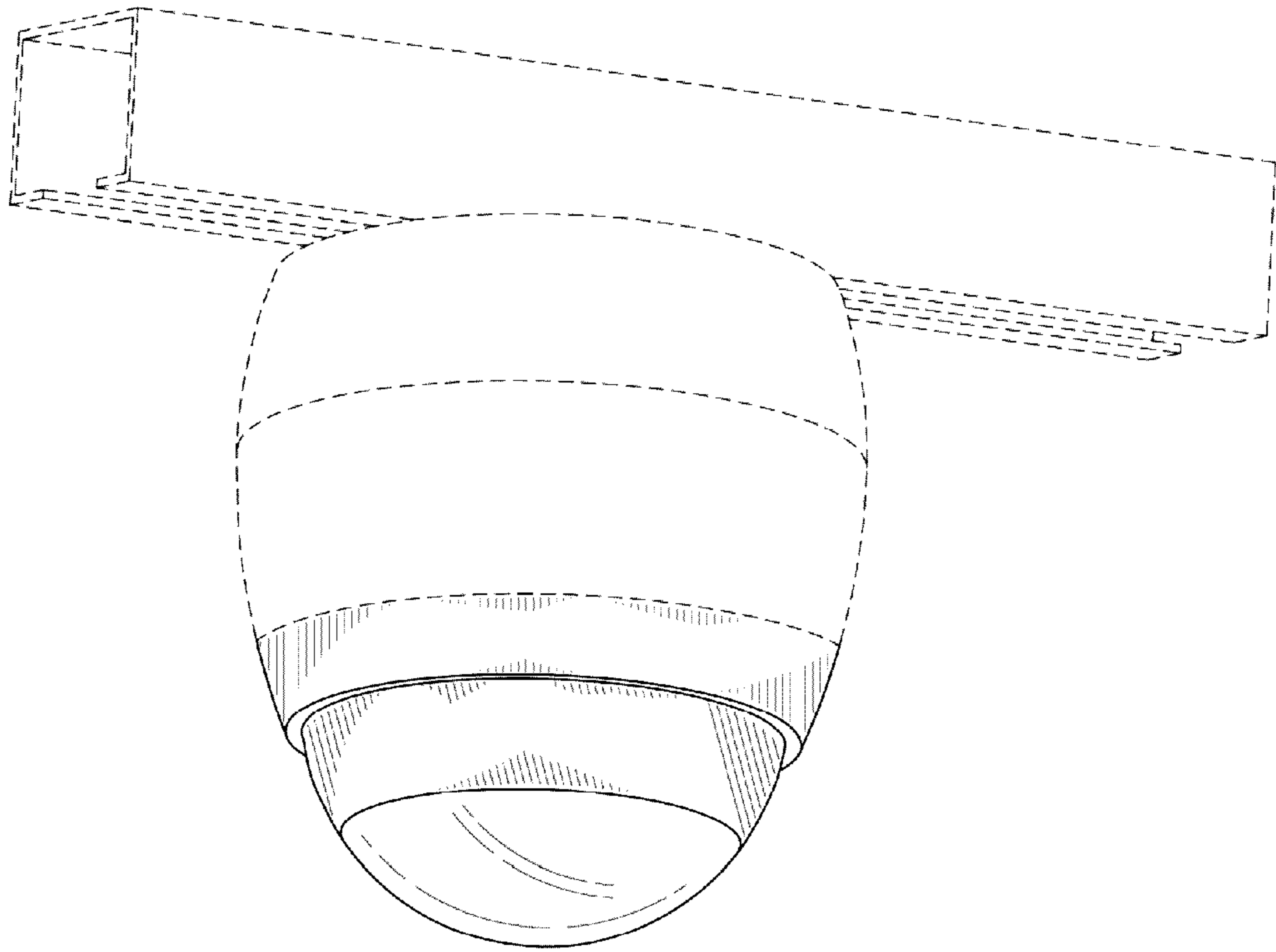


Fig. 8

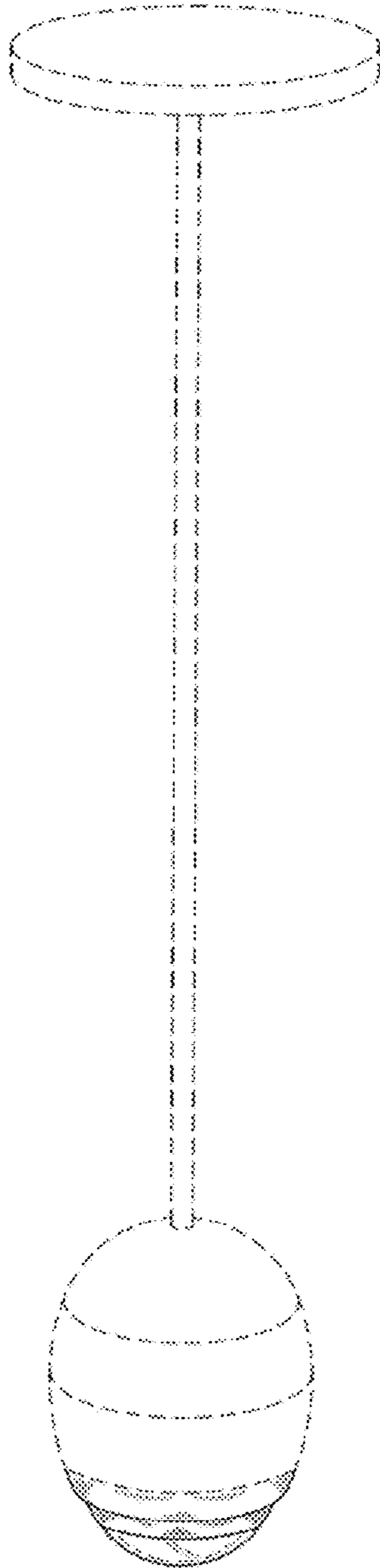


Fig. 9