



US00D770667S

(12) **United States Design Patent**  
**Orozco**

(10) **Patent No.:** **US D770,667 S**  
(45) **Date of Patent:** **\*\* Nov. 1, 2016**

(54) **LIGHTING FIXTURE**

- (71) Applicant: **Hinkley Lighting, Inc.**, Avon Lake, OH (US)
- (72) Inventor: **Sergio Orozco**, New York, NY (US)
- (73) Assignee: **HINKLEY LIGHTING, INC.**, Avon Lake, OH (US)
- (\*\*) Term: **14 Years**
- (21) Appl. No.: **29/496,501**
- (22) Filed: **Jul. 14, 2014**

**Related U.S. Application Data**

- (62) Division of application No. 29/441,561, filed on Jan. 7, 2013, now Pat. No. Des. 712,584.
- (51) **LOC (10) Cl.** ..... **26-03**
- (52) **U.S. Cl.**  
USPC ..... **D26/88**; D26/135
- (58) **Field of Classification Search**  
USPC ..... D26/63, 65, 76, 80-91, 118, 128, 135  
CPC ..... F21S 8/06; F21S 8/061; F21S 8/063;  
F21S 8/065; F21S 8/068; F21V 3/0418;  
F21V 3/0427; F21V 3/0436; F21V 3/0445;  
F21V 21/008; F21V 21/104  
See application file for complete search history.

(56) **References Cited**

**U.S. PATENT DOCUMENTS**

- 1,702,502 A \* 2/1929 Olier, Jr. .... F16G 13/16  
248/317
- D86,453 S \* 3/1932 Gunnison ..... D26/88  
(Continued)

**OTHER PUBLICATIONS**

Fixture #SF195 ORB shown on p. 150A of the Murray-Feiss Spring 2005 catalog. (2 pages; includes rear cover of catalog).  
(Continued)

*Primary Examiner* — Clare E Heflin

(74) *Attorney, Agent, or Firm* — Pearne & Gordon LLP

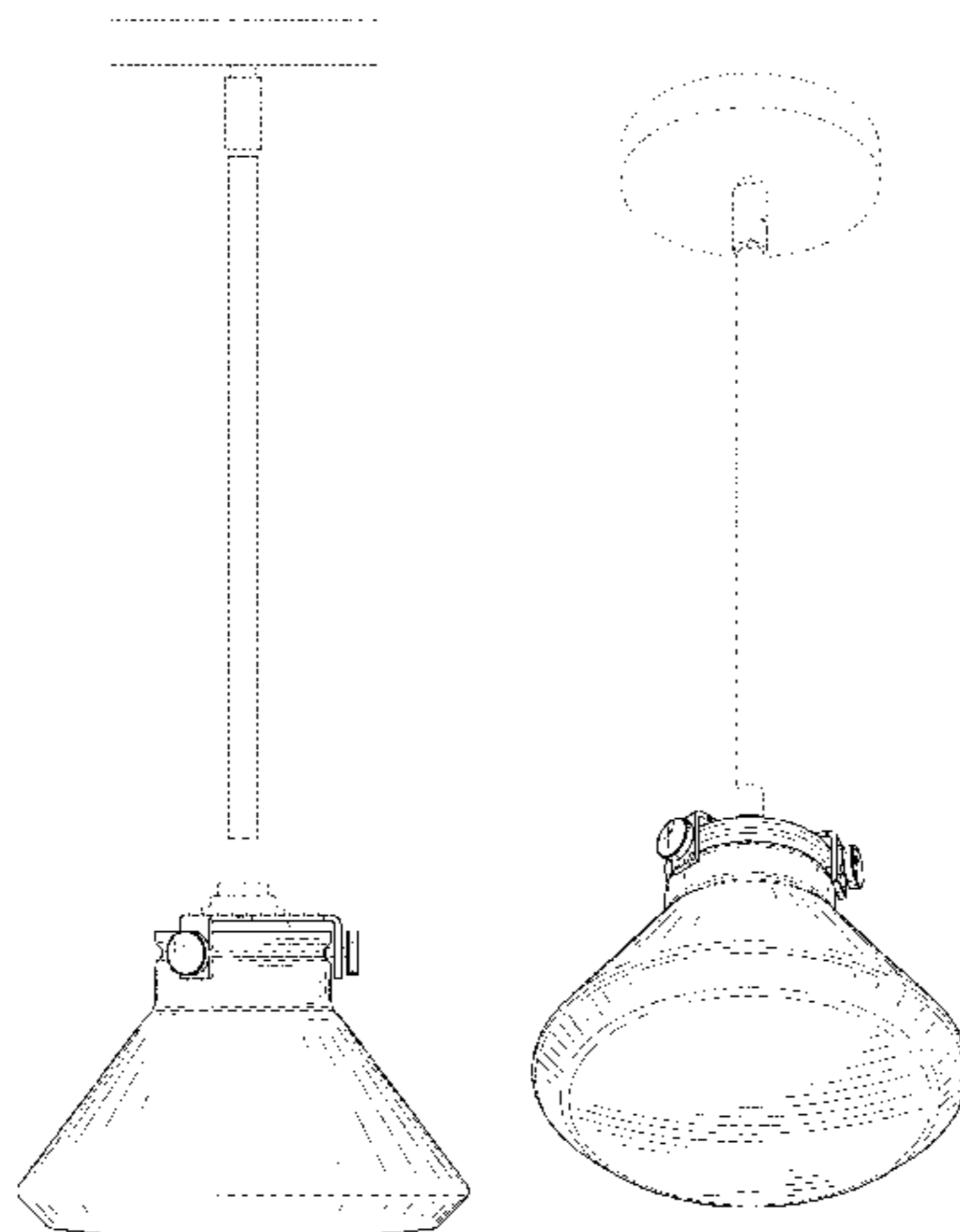
(57) **CLAIM**

The ornamental design for a lighting fixture, as shown and described..

**DESCRIPTION**

FIGS. 1-8 illustrate a first embodiment of the lighting fixture having a non-transparent shade, in which:  
 FIG. 1 is a top view thereof;  
 FIG. 2 is a bottom view thereof;  
 FIG. 3 is left side view thereof;  
 FIG. 4 is a front view thereof;  
 FIG. 5 is a right side view thereof;  
 FIG. 6 is a rear view thereof;  
 FIG. 7 is a top perspective view thereof; and  
 FIG. 8 is a bottom perspective view thereof.  
 FIGS. 9-16 illustrate a second embodiment of the lighting fixture having a non-transparent shade, in which:  
 FIG. 9 is a top view thereof;  
 FIG. 10 is a bottom view thereof;  
 FIG. 11 is left side view thereof;  
 FIG. 12 is a front view thereof;  
 FIG. 13 is a right side view thereof;  
 FIG. 14 is a rear view thereof;  
 FIG. 15 is a top perspective view thereof; and  
 FIG. 16 is a bottom perspective view thereof.  
 FIGS. 17-24 illustrate a third embodiment of the lighting fixture, identical to the first embodiment except having a transparent shade, in which:  
 FIG. 17 is a top view thereof;  
 FIG. 18 is a bottom view thereof;  
 FIG. 19 is left side view thereof;  
 FIG. 20 is a front view thereof;  
 FIG. 21 is a right side view thereof;  
 FIG. 22 is a rear view thereof;  
 FIG. 23 is a top perspective view thereof; and  
 FIG. 24 is a bottom perspective view thereof.  
 FIGS. 25-32 illustrate a third embodiment of the lighting fixture, identical to the second embodiment except having a transparent shade, in which:  
 FIG. 25 is a top view thereof;  
 FIG. 26 is a bottom view thereof;  
 FIG. 27 is left side view thereof;  
 FIG. 28 is a front view thereof;  
 FIG. 29 is a right side view thereof;  
 FIG. 30 is a rear view thereof;  
 FIG. 31 is a top perspective view thereof; and,  
 FIG. 32 is a bottom perspective view thereof.  
 Broken lines shown in the drawings represent features of the lighting fixture that form no part of the claimed design.

**1 Claim, 22 Drawing Sheets**



(56)

References Cited

U.S. PATENT DOCUMENTS

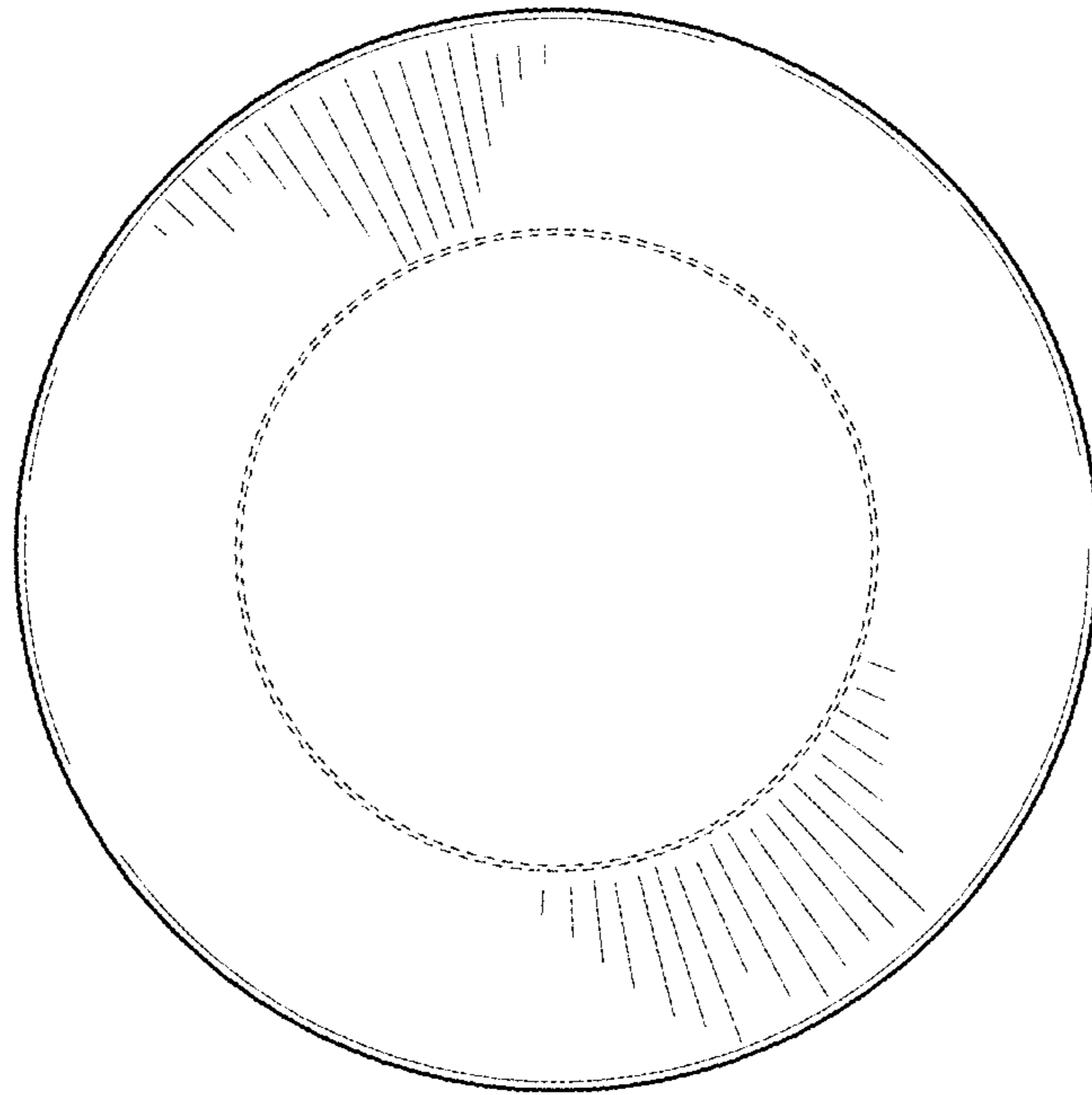
1,862,369 A \* 6/1932 Doane ..... F21S 8/06  
362/296.01  
D94,686 S \* 2/1935 Guild et al. .... D26/88  
D110,505 S 7/1938 Stewart  
D132,865 S 6/1942 Drollinger  
D226,217 S \* 1/1973 Anderson ..... D26/88  
D341,443 S 11/1993 Shapiro  
D417,305 S 11/1999 Pahl  
D417,746 S 12/1999 Pahl  
D417,747 S 12/1999 Pahl  
D444,588 S 7/2001 Lin  
D464,164 S 10/2002 Thompson  
D485,002 S 1/2004 Lin  
D510,452 S \* 10/2005 Porter ..... D26/80

D546,494 S 7/2007 Pickett  
D564,123 S \* 3/2008 Porter ..... D26/141  
D576,339 S \* 9/2008 Porter ..... D26/80  
D608,044 S 1/2010 Pickett  
D634,057 S 3/2011 Nguyen  
D659,883 S \* 5/2012 Herremans ..... D26/88  
D731,695 S \* 6/2015 Pyle ..... D26/88  
2012/0257393 A1 \* 10/2012 Zeisner ..... F21S 8/04  
362/297  
2014/0027740 A1 \* 1/2014 Burrows ..... F21S 8/06  
257/40

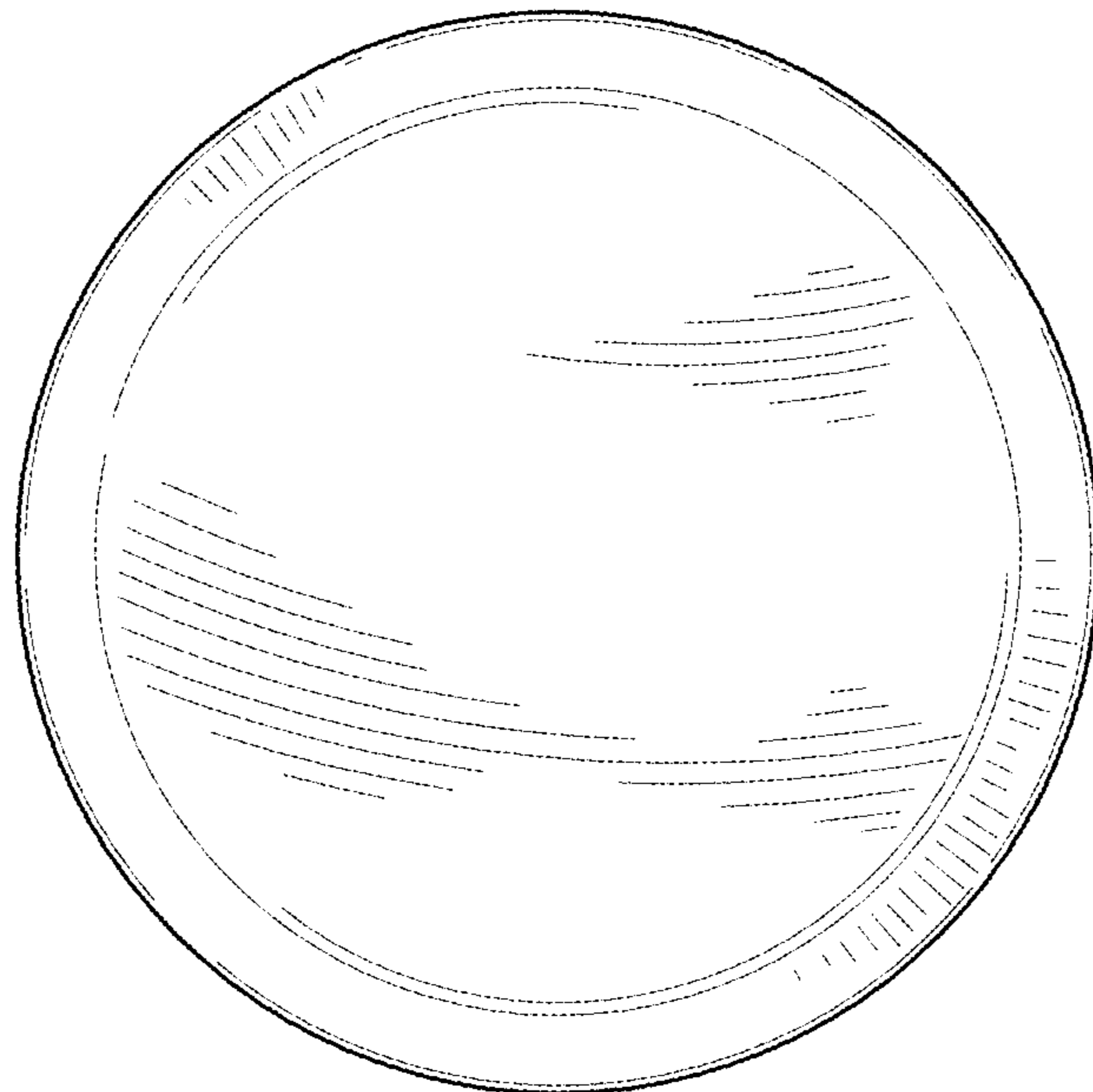
OTHER PUBLICATIONS

“Stowe” fixtures 4721 MC and 4724 MC, from Hinkley Lighting, Inc.’s 2009-2010 Catalog, Published Dec. 2008.

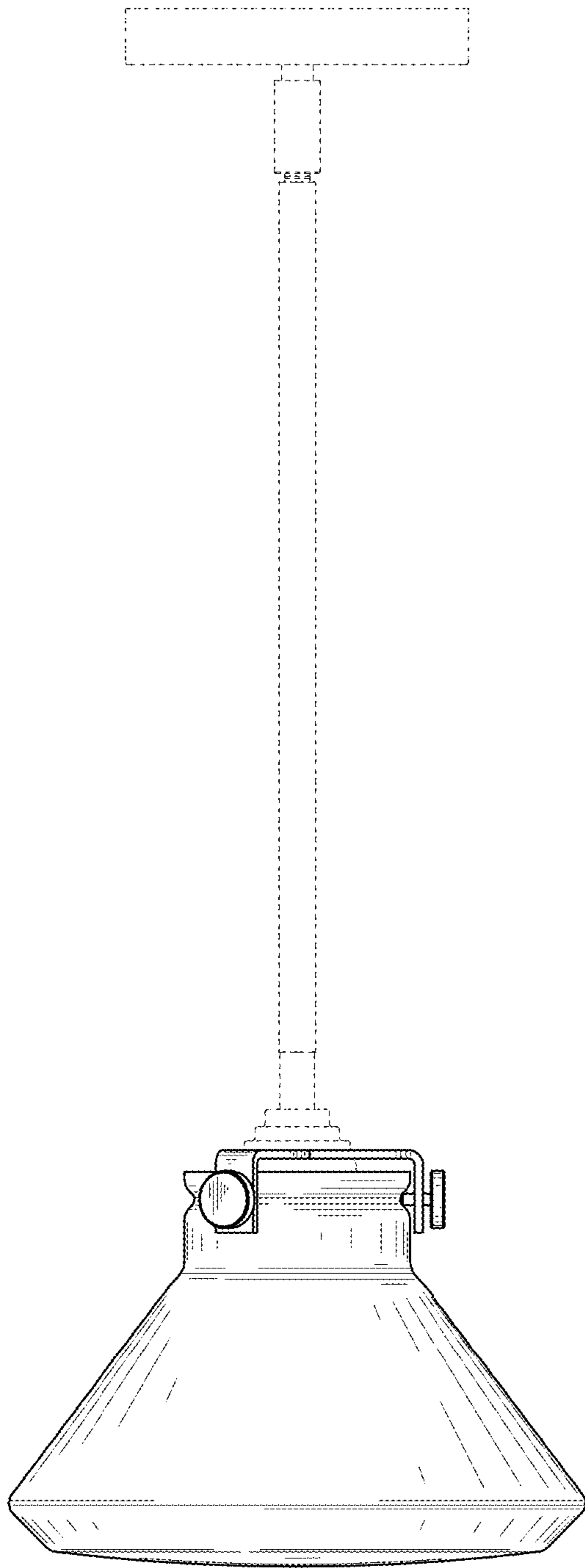
\* cited by examiner



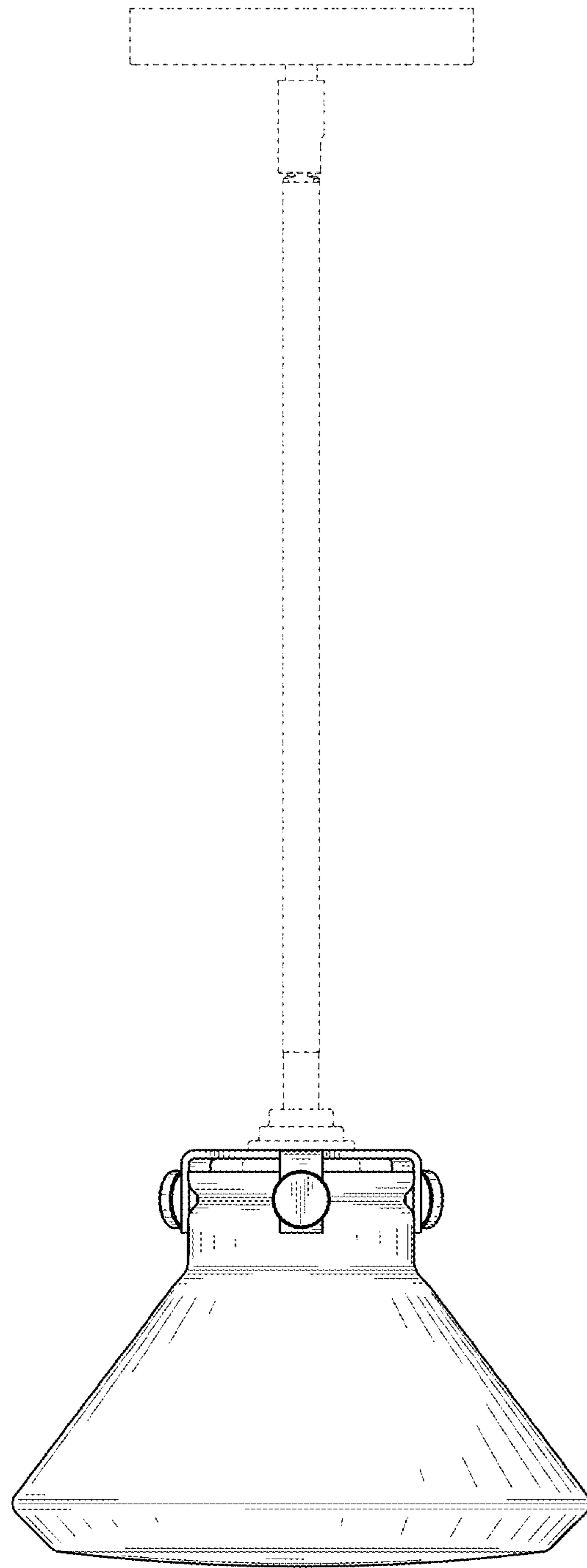
**Fig. 1**



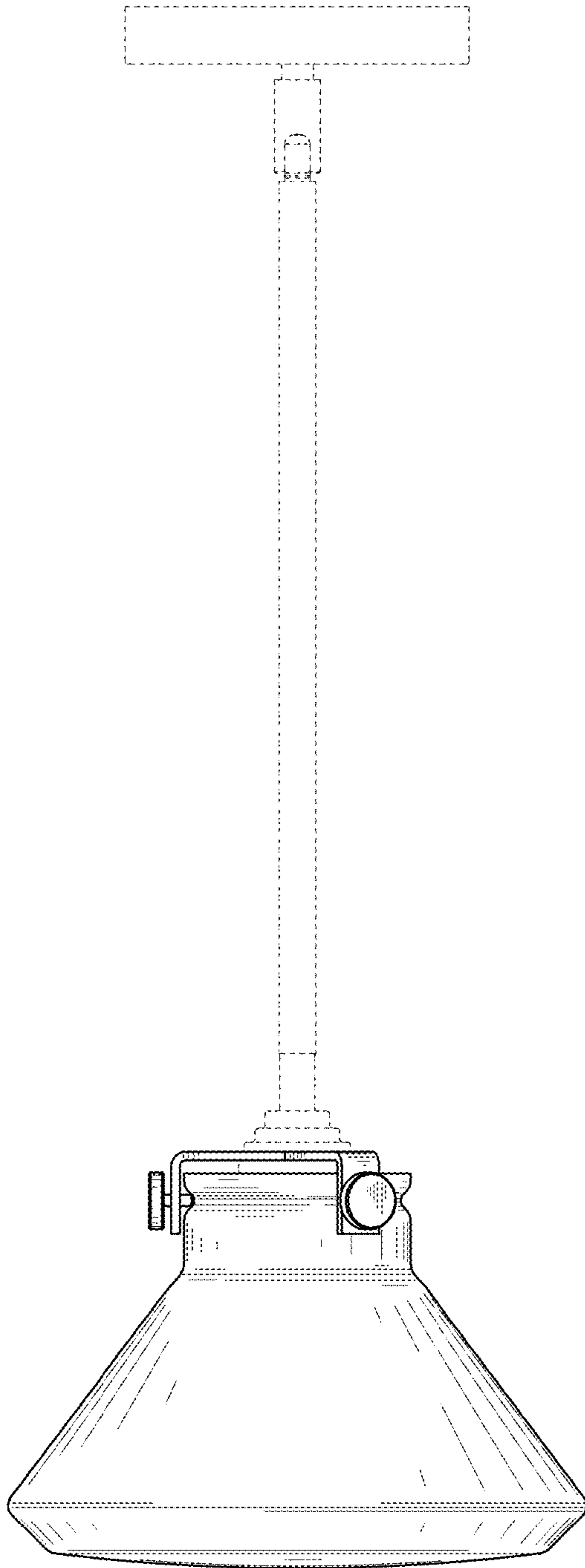
**Fig. 2**



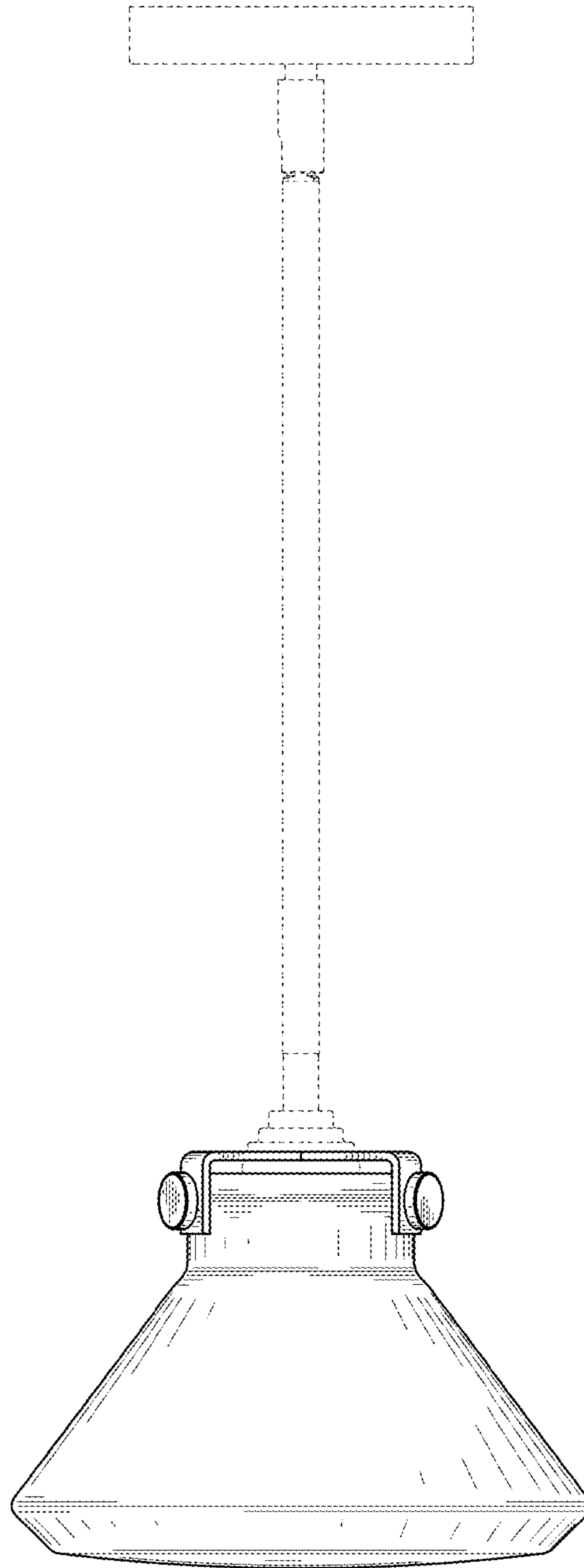
**Fig. 3**



**Fig. 4**



**Fig. 5**



**Fig. 6**

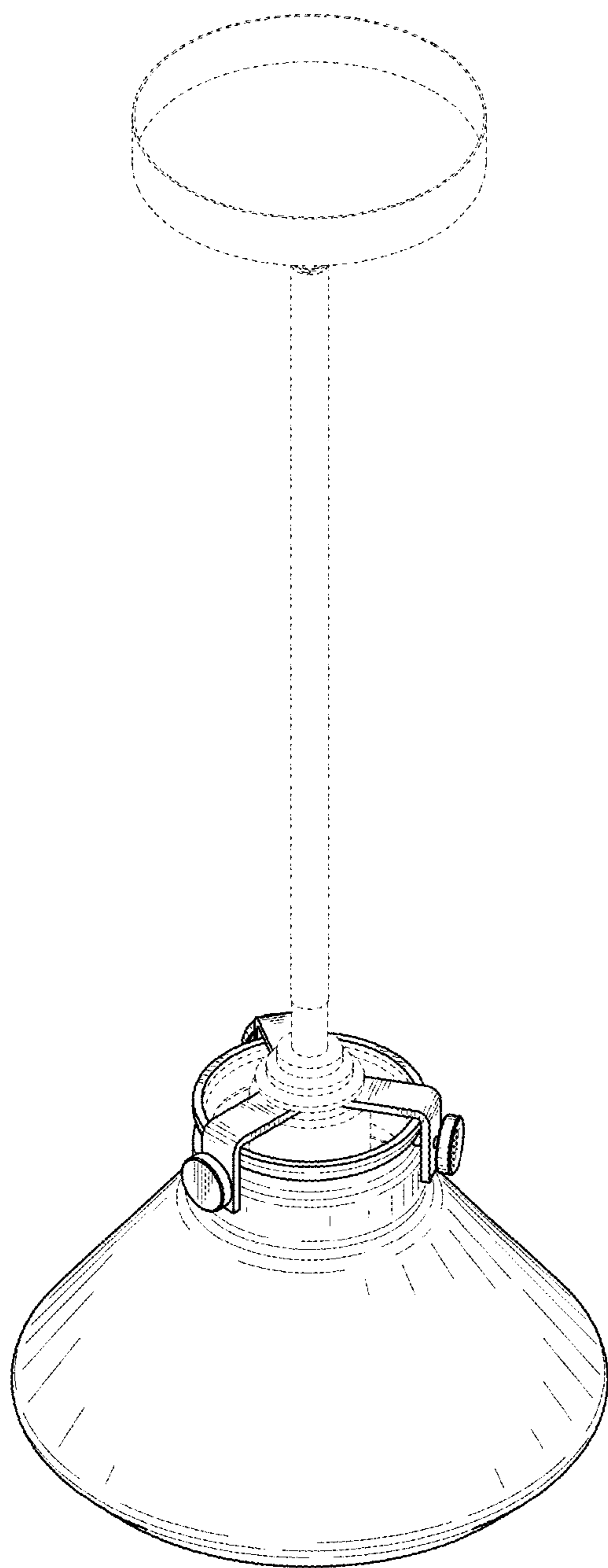


Fig. 7

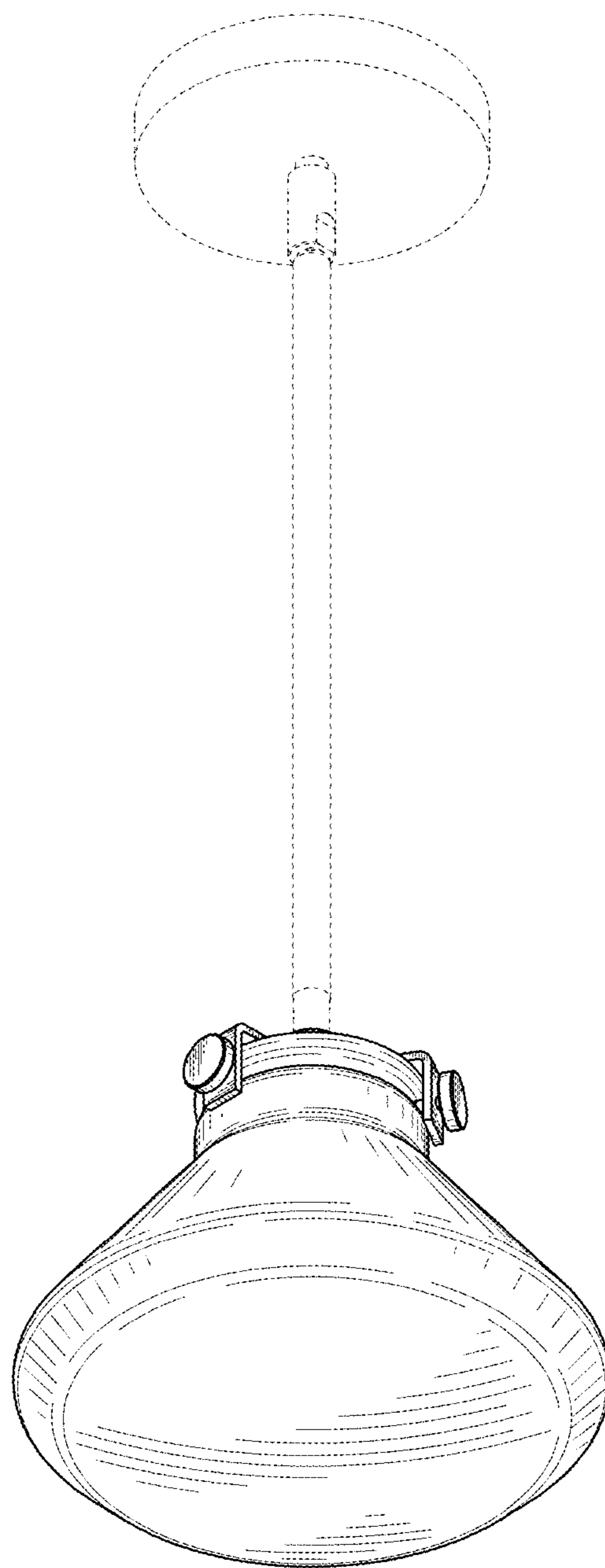
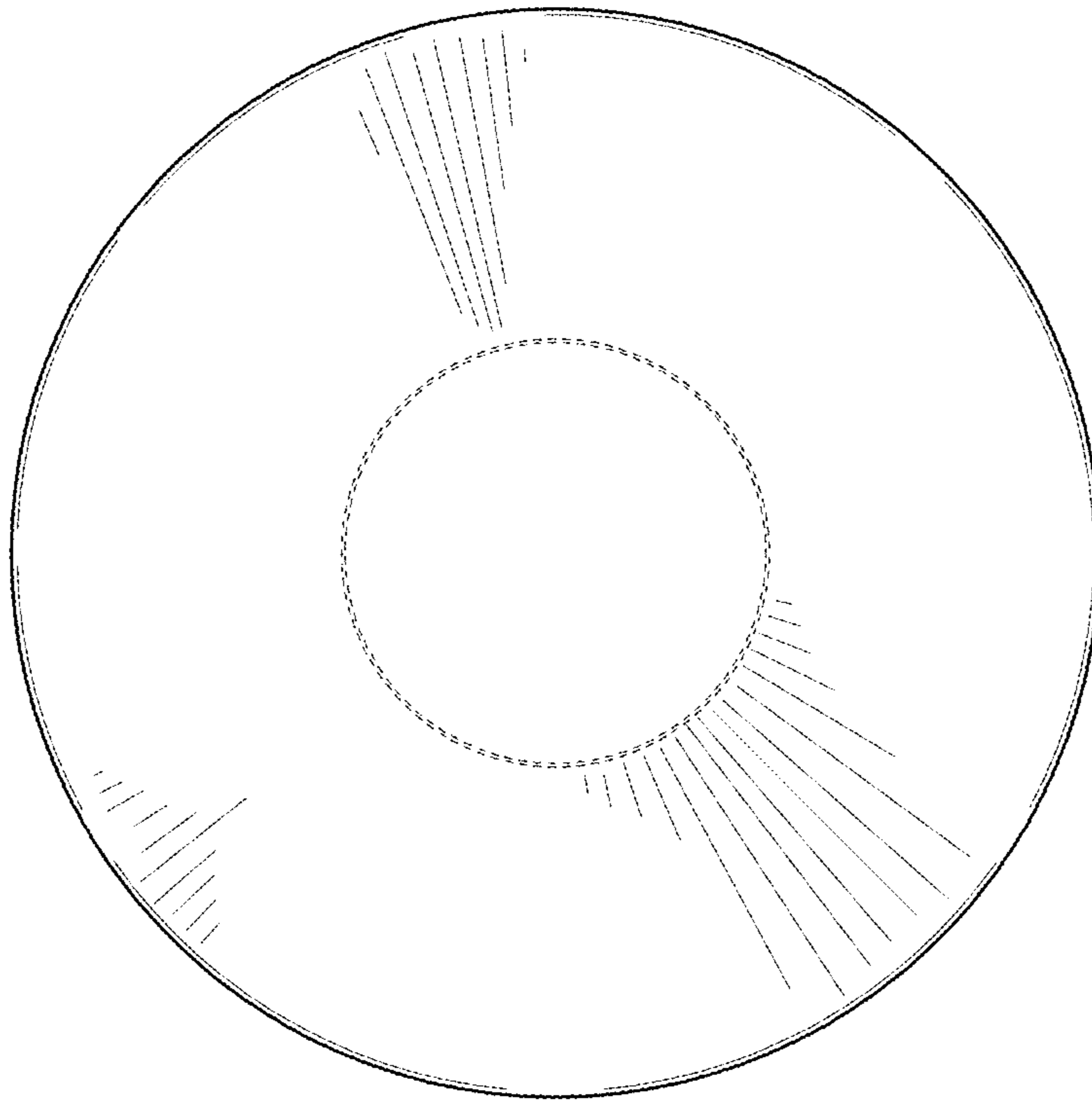


Fig. 8



**Fig. 9**



**Fig. 10**

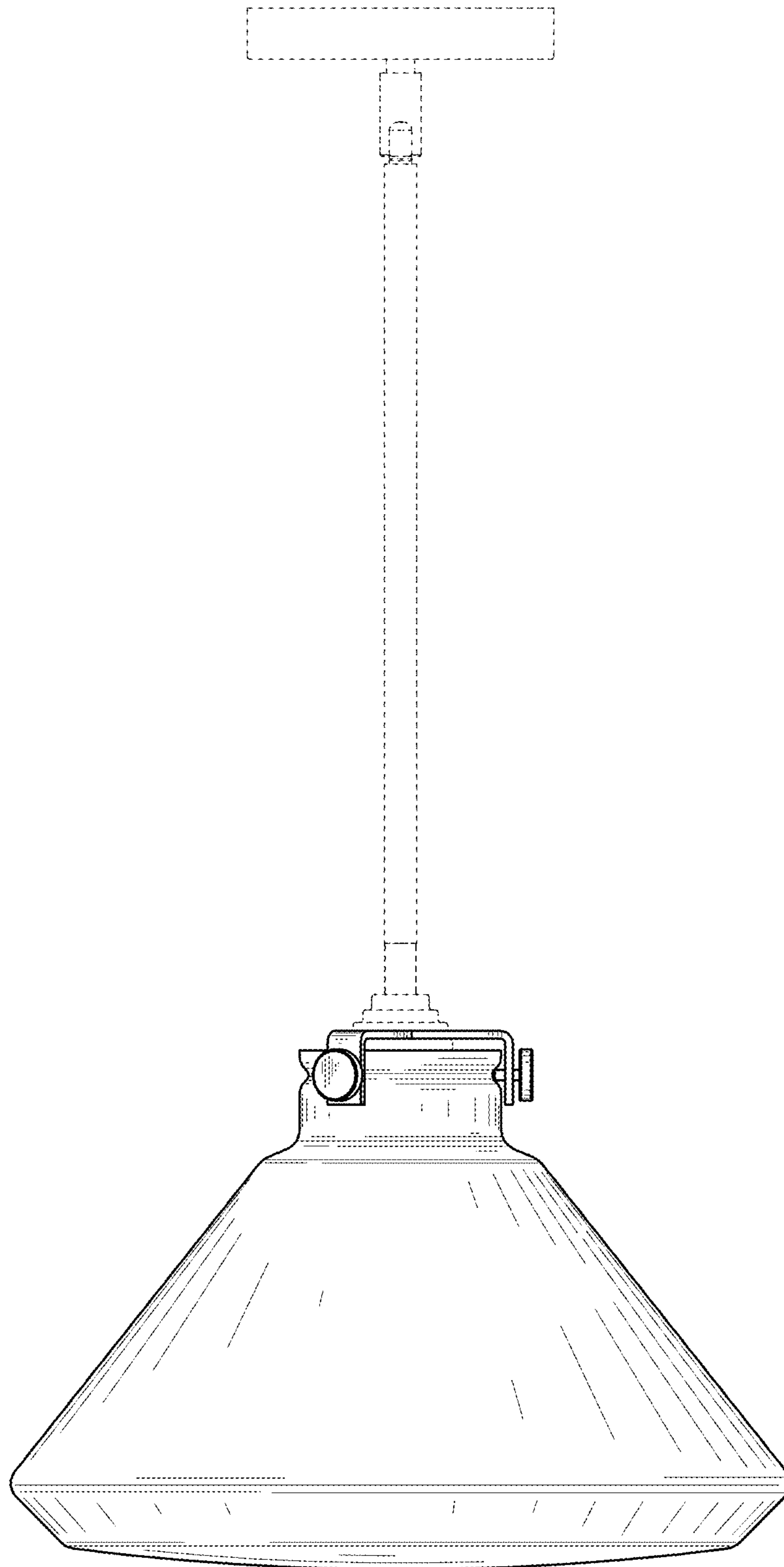


Fig. 11



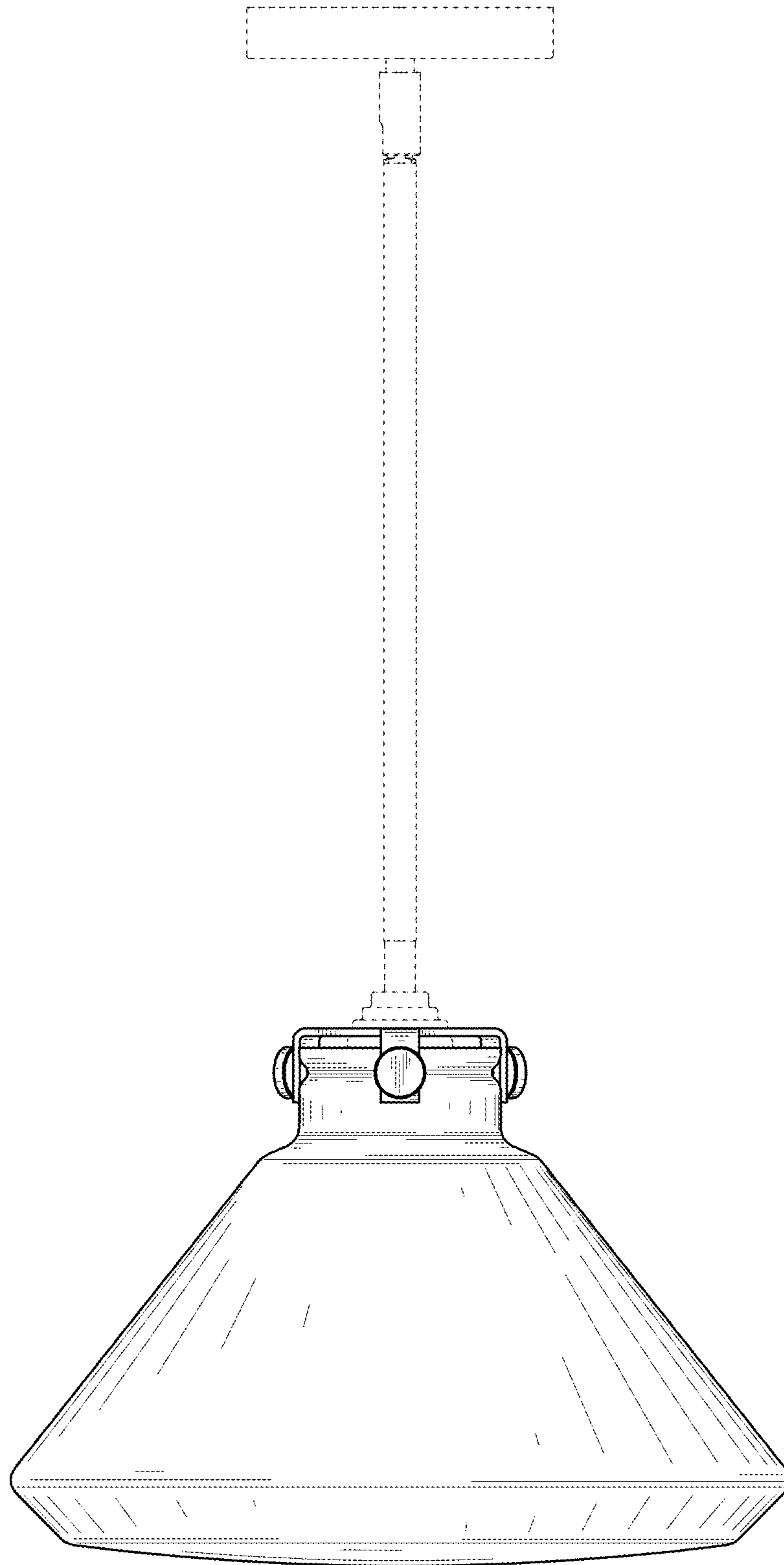
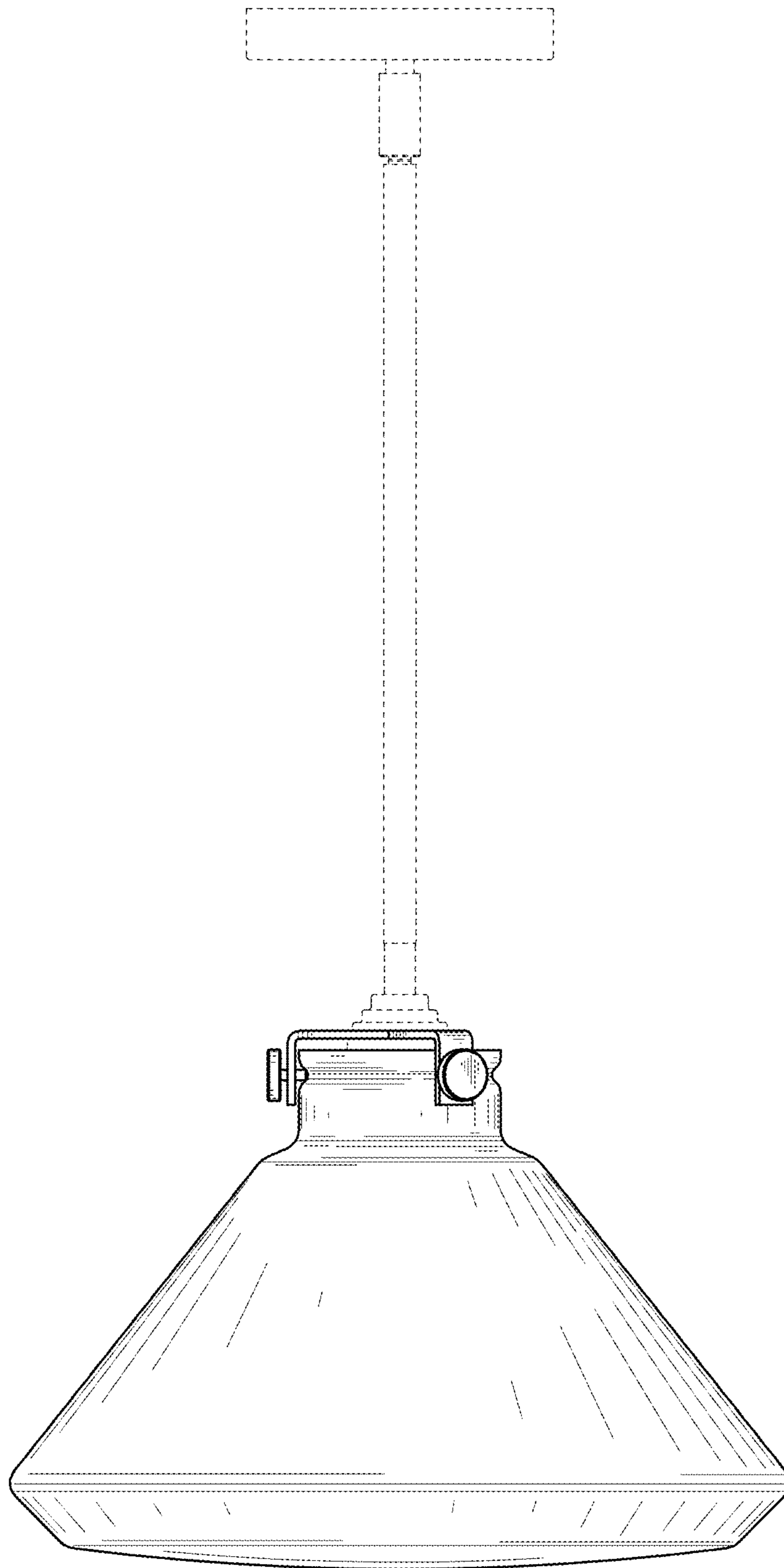
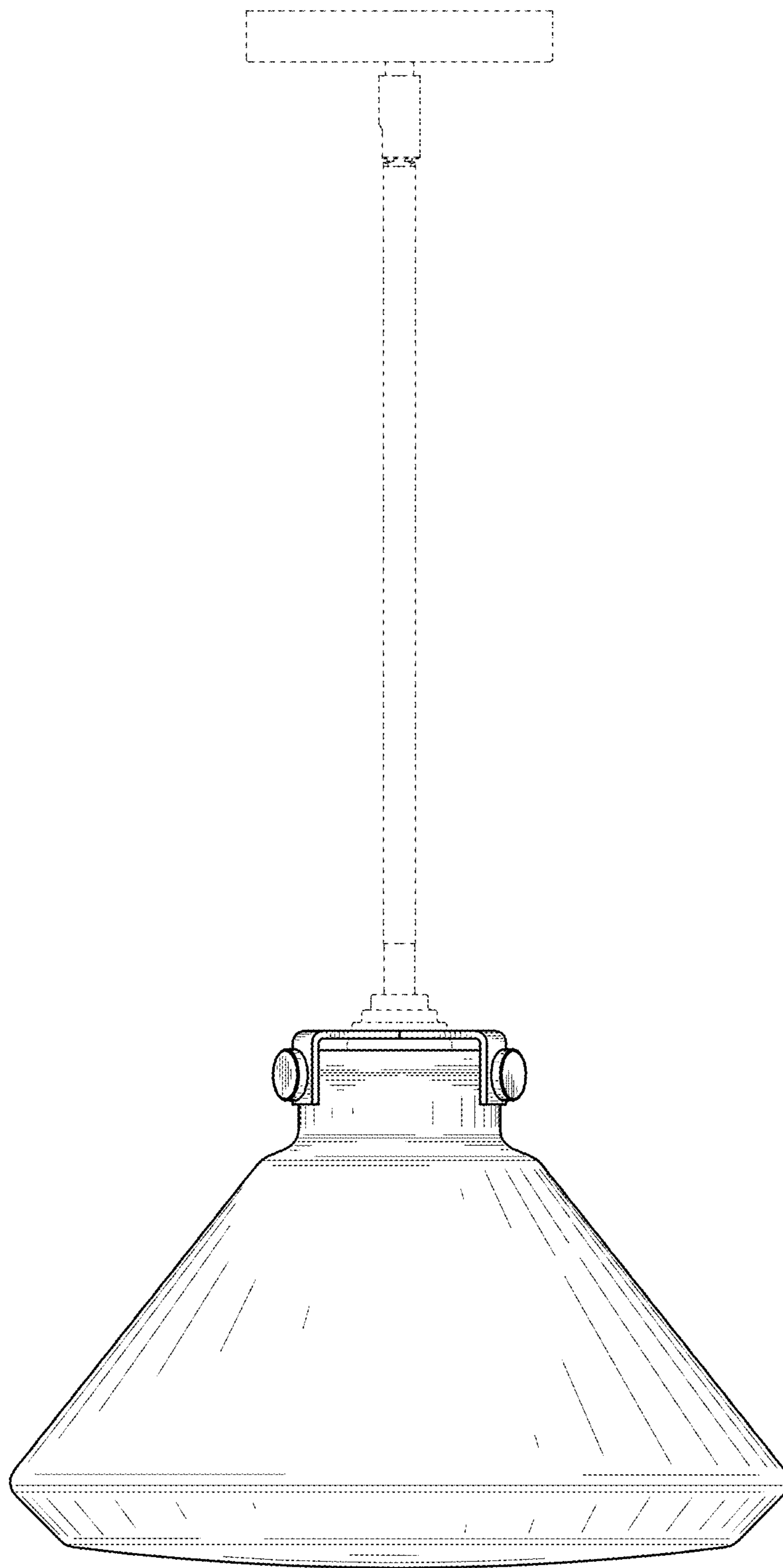


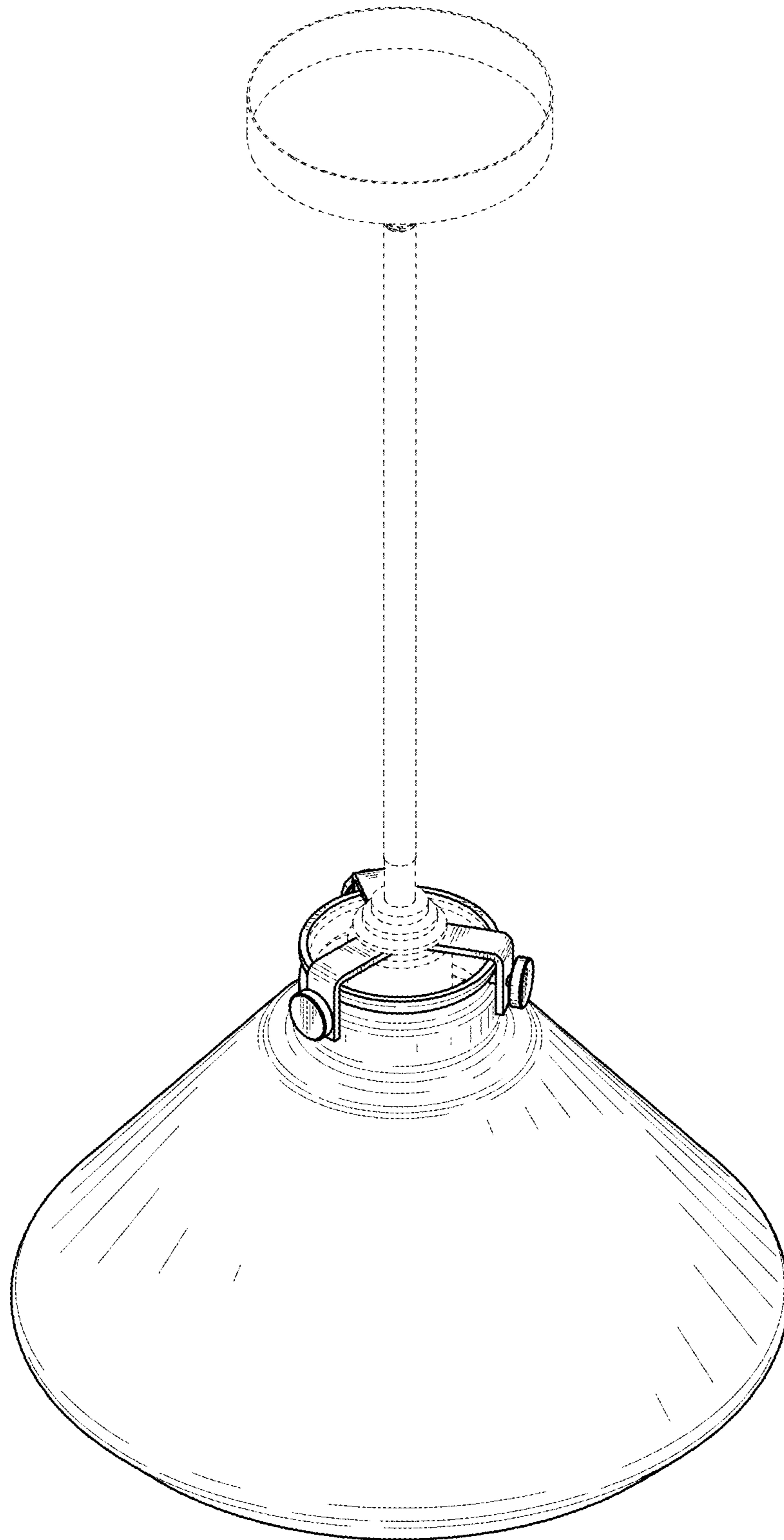
Fig. 12



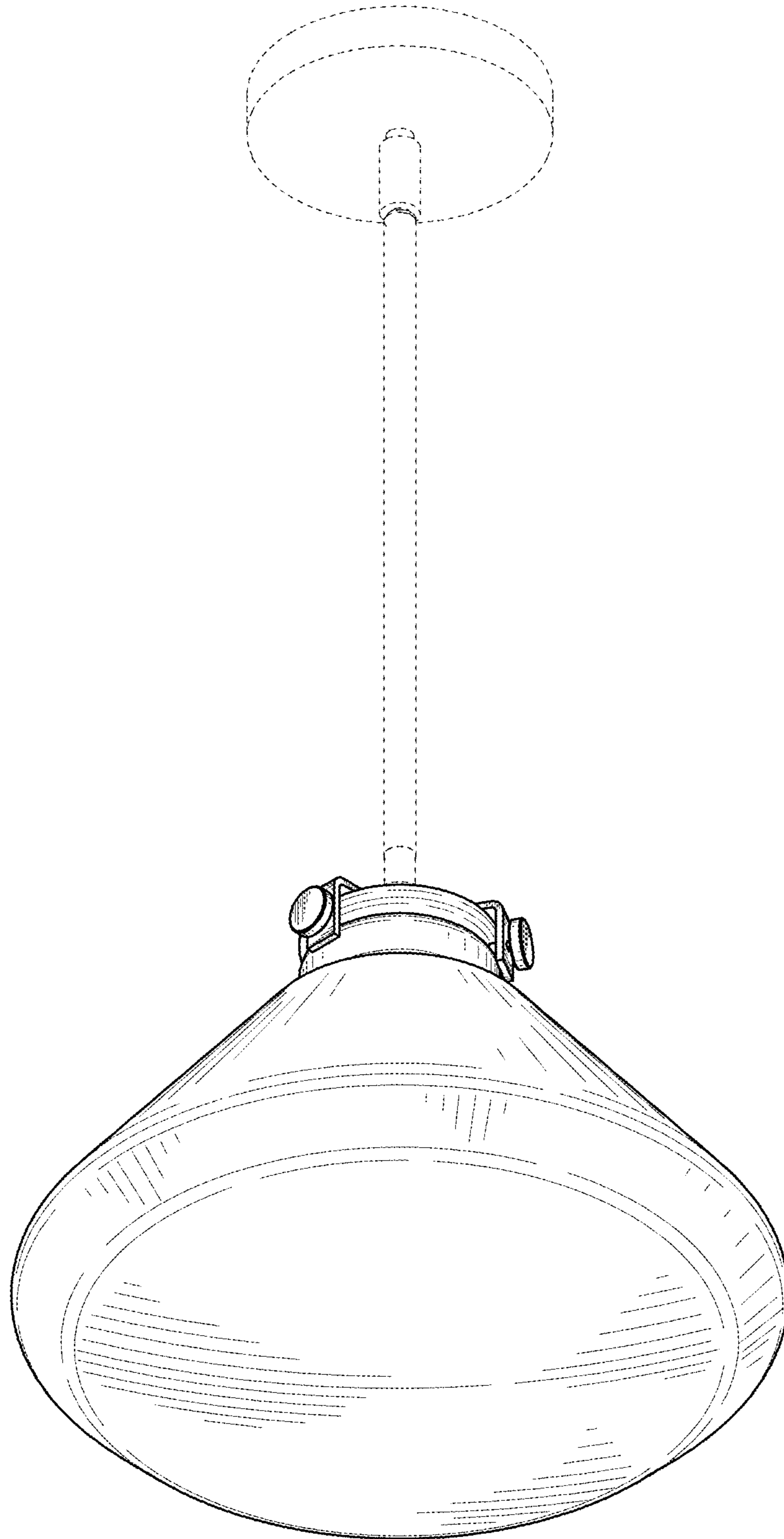
**Fig. 13**



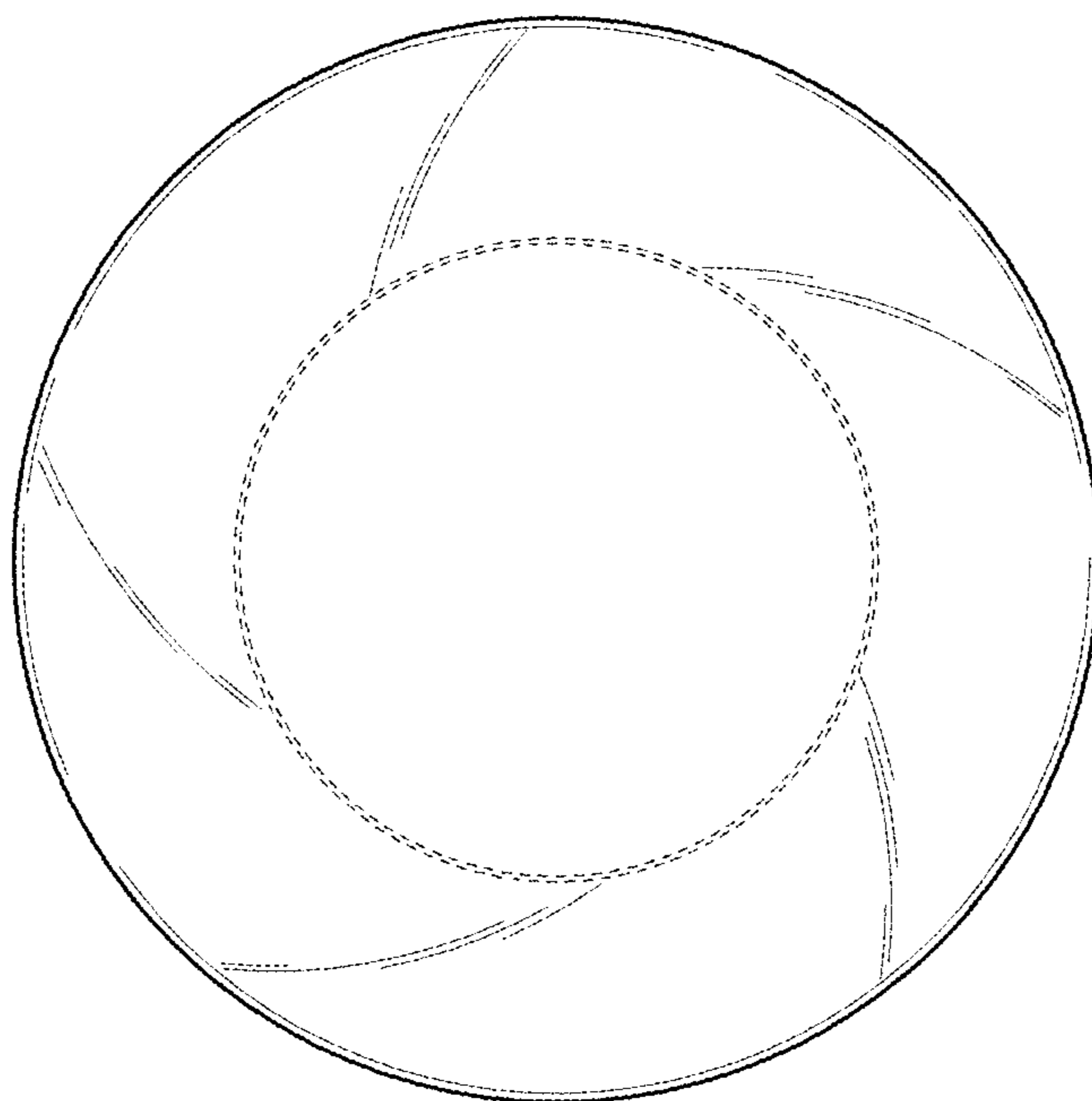
**Fig. 14**



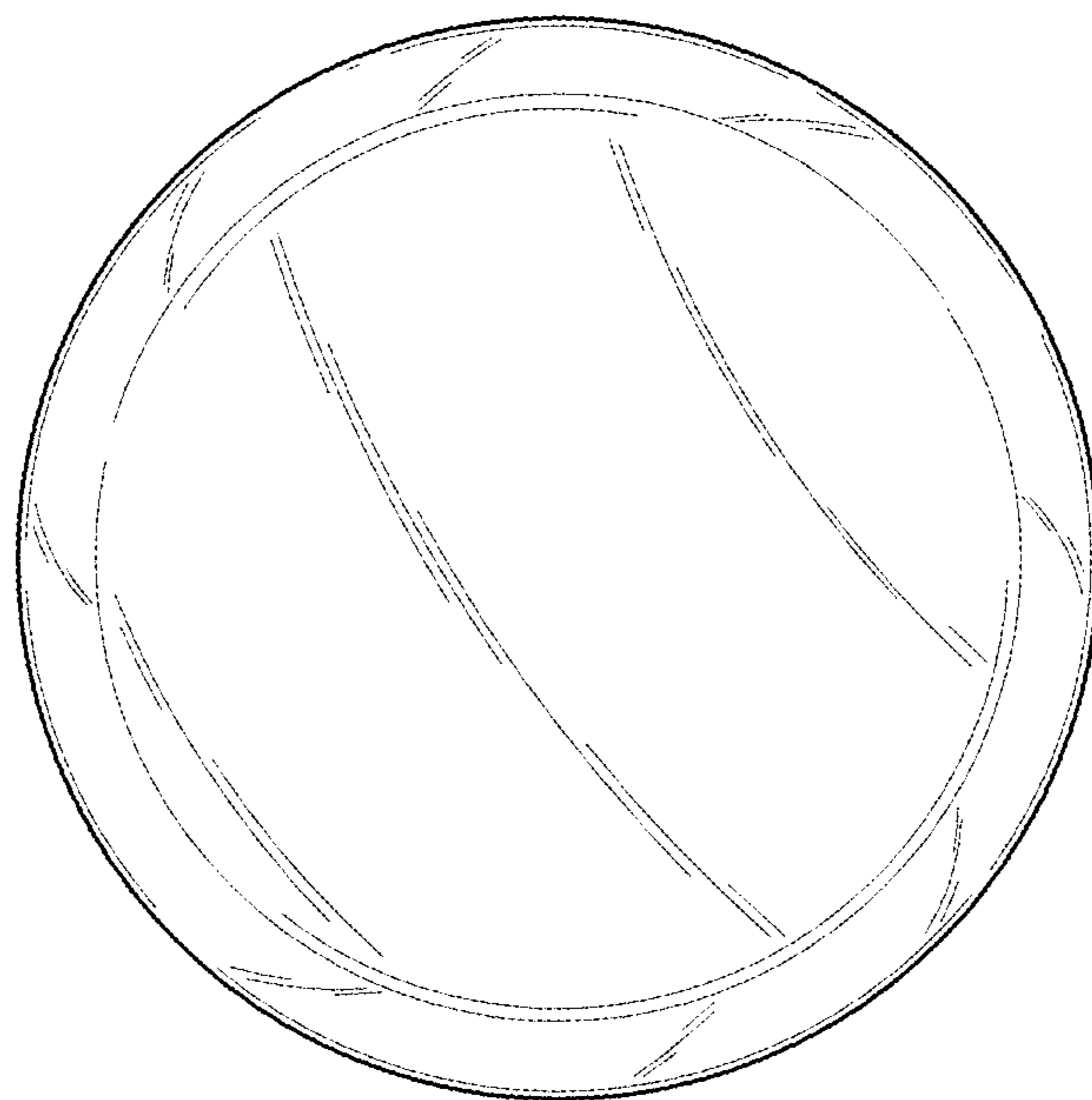
**Fig. 15**



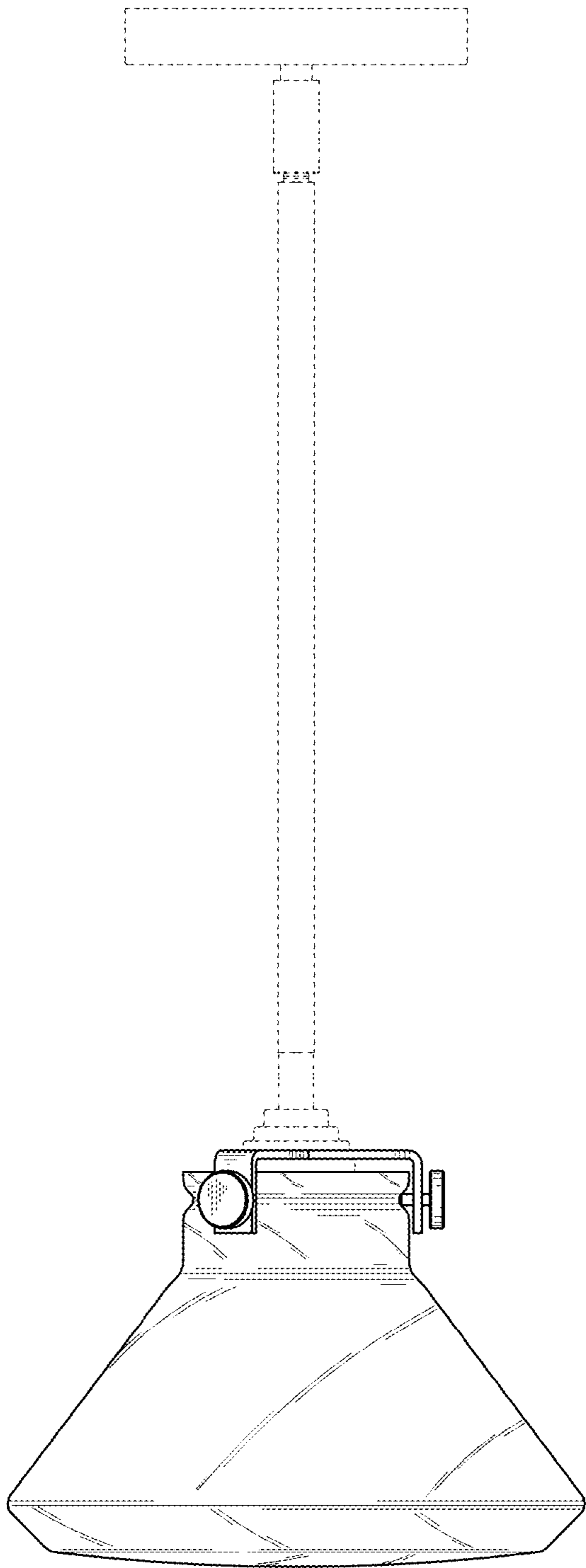
**Fig. 16**



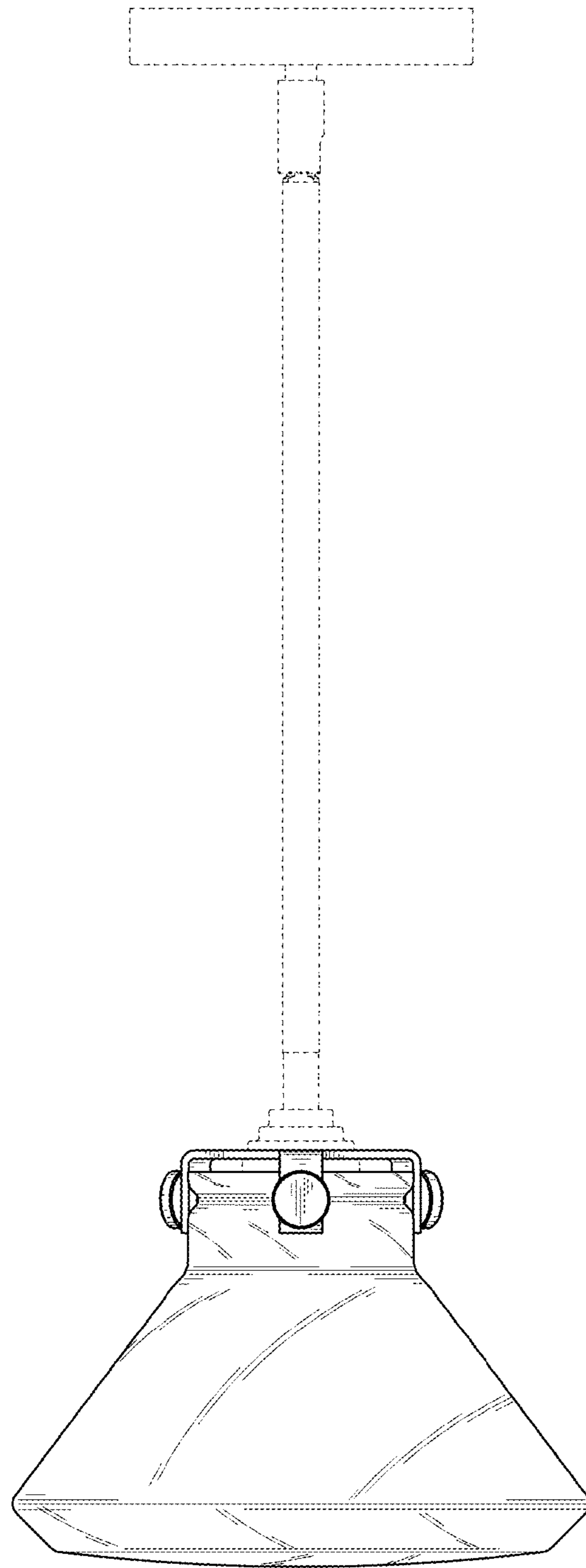
**Fig. 17**



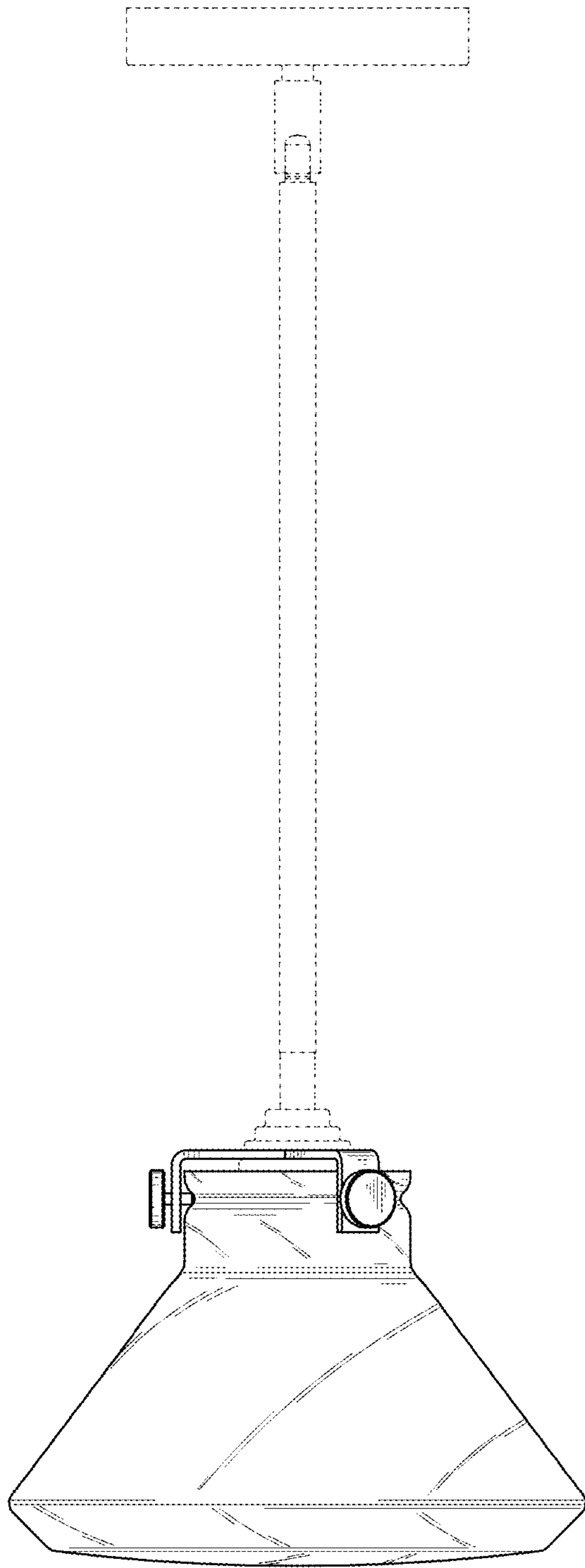
**Fig. 18**



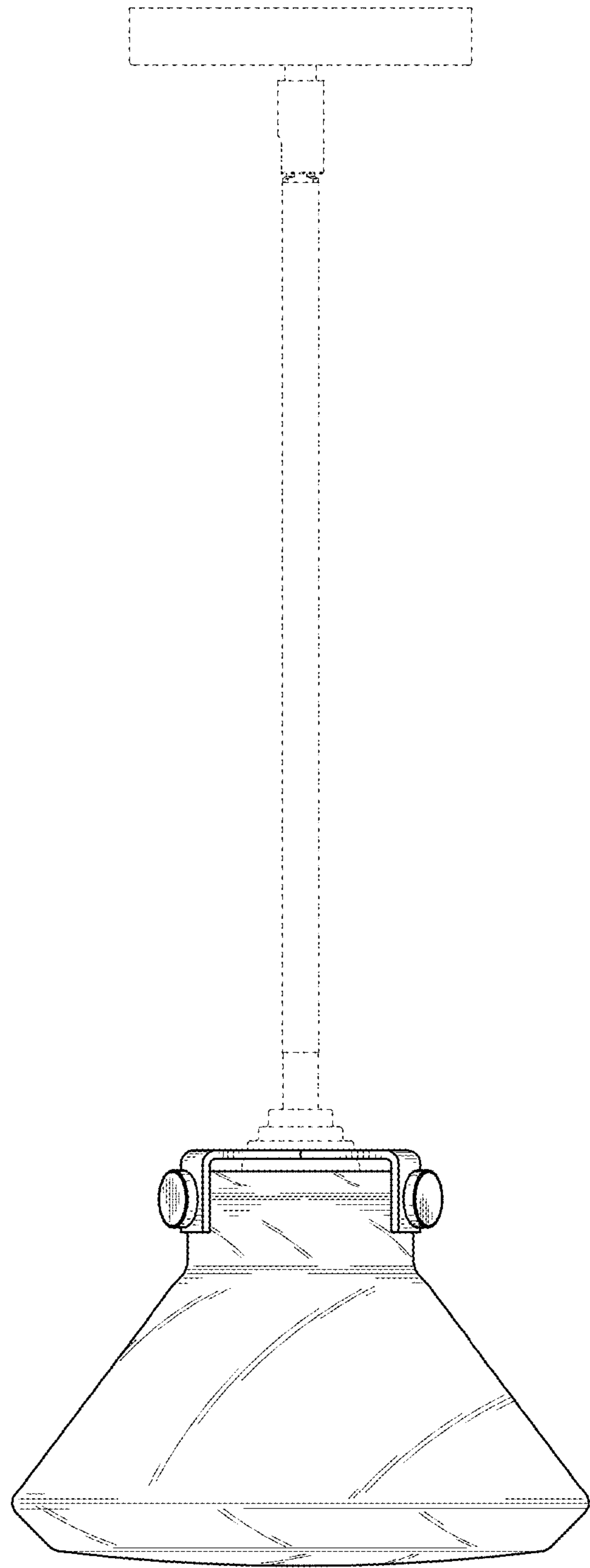
**Fig. 19**



**Fig. 20**

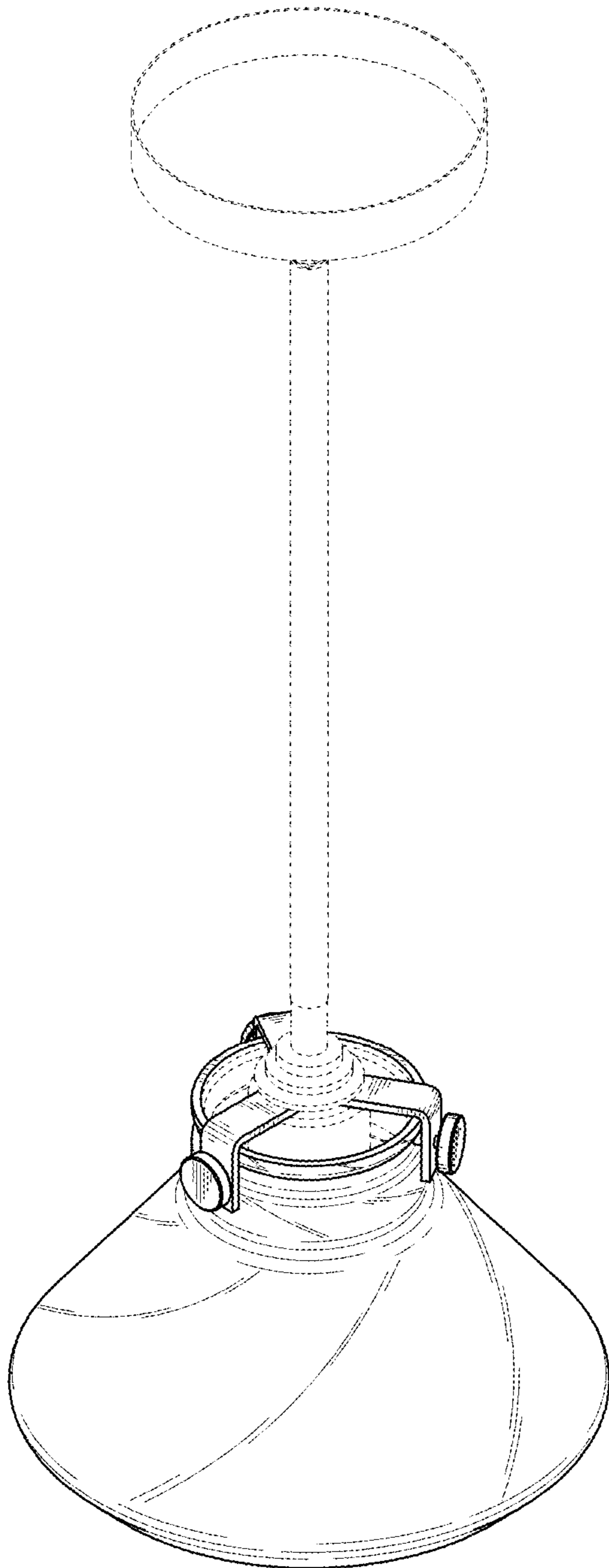


**Fig. 21**

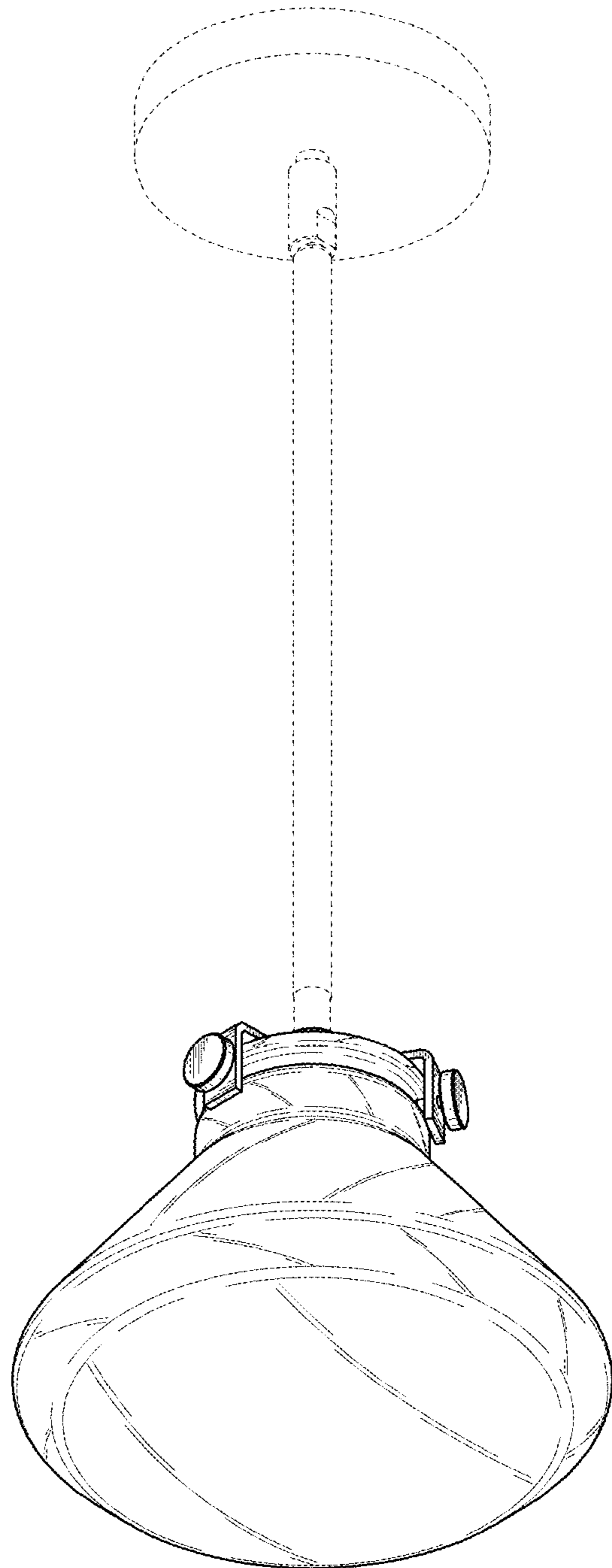


**Fig. 22**

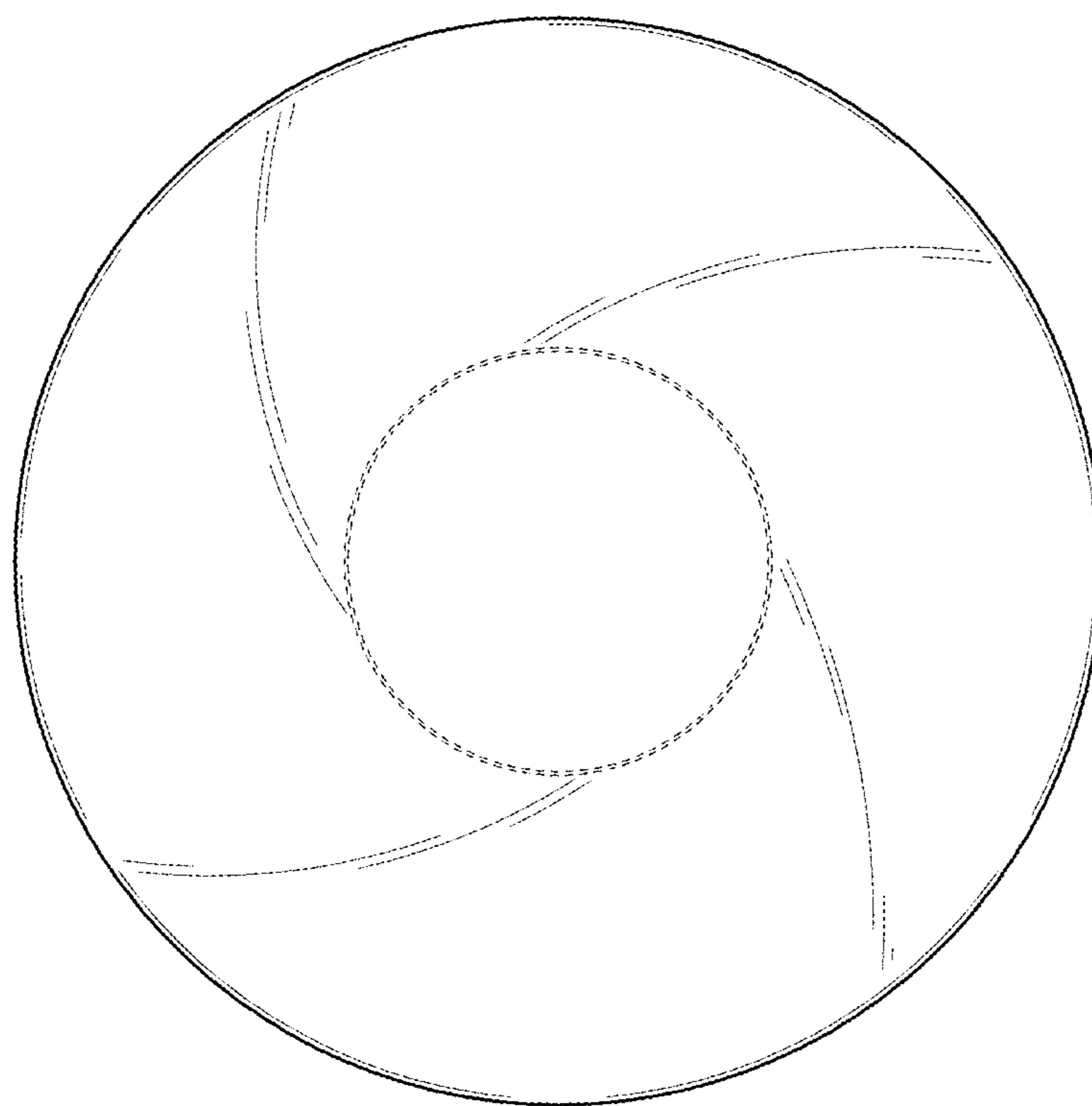




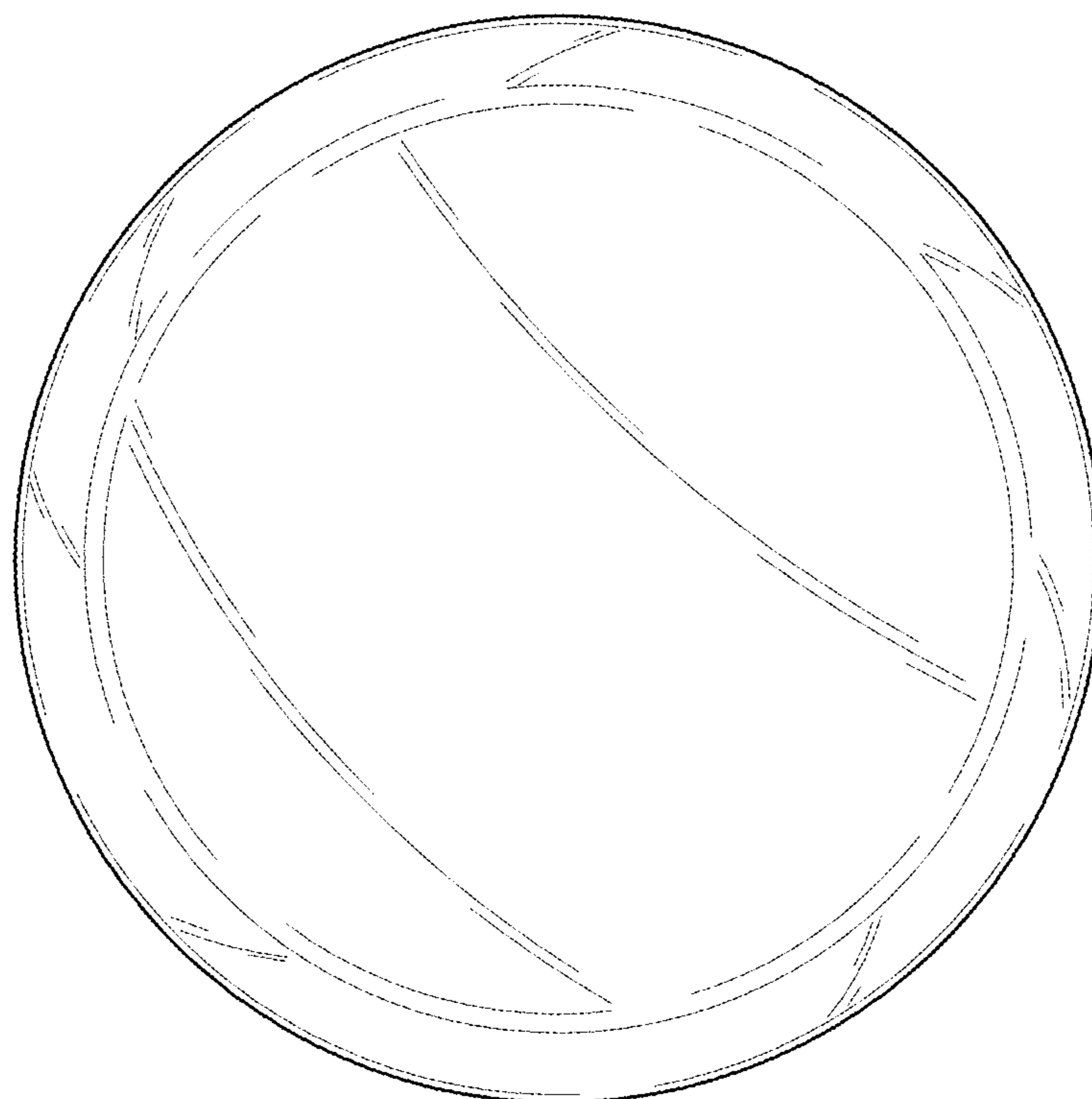
**Fig. 23**



**Fig. 24**



**Fig. 25**



**Fig. 26**

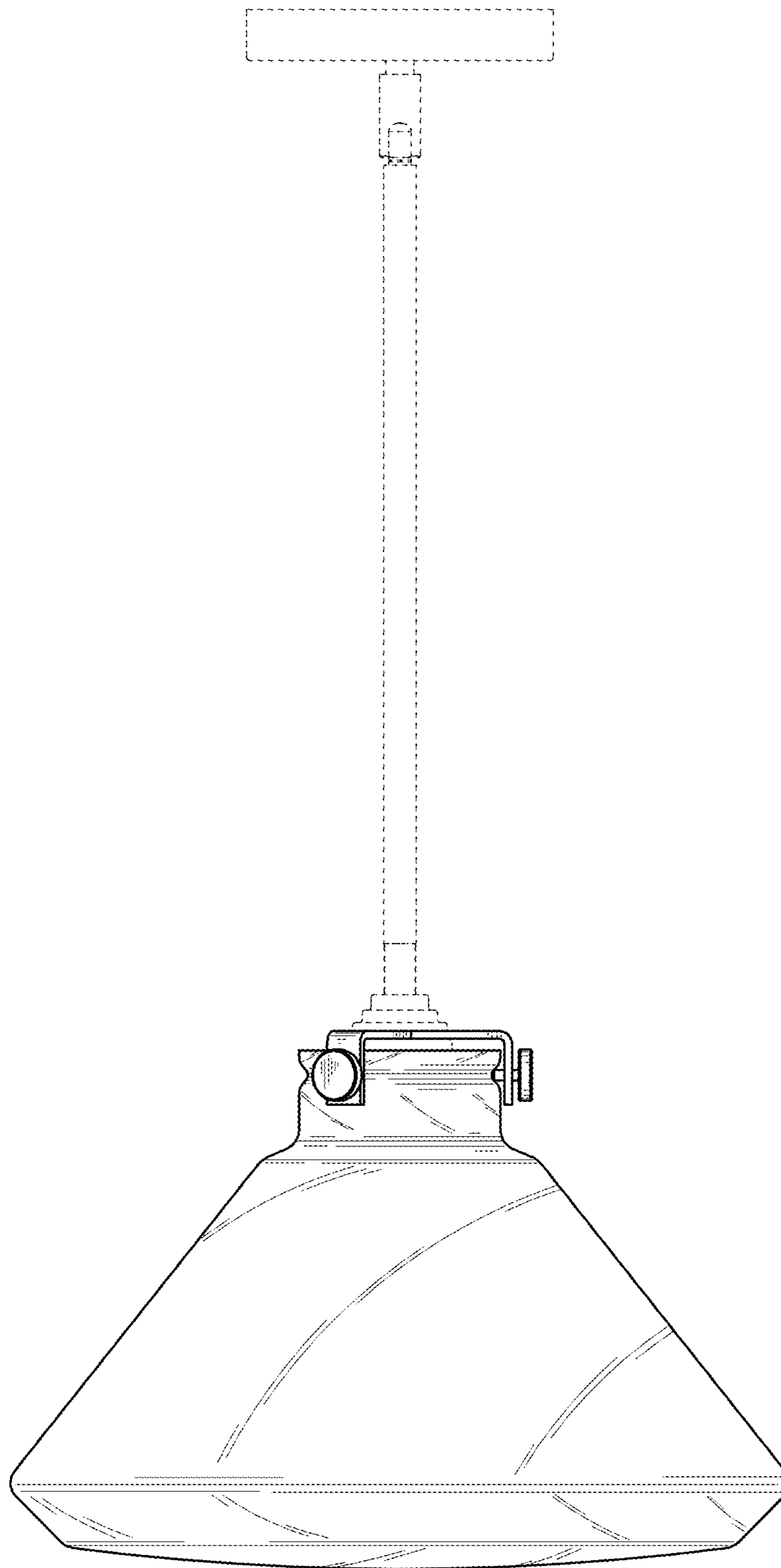


Fig. 27

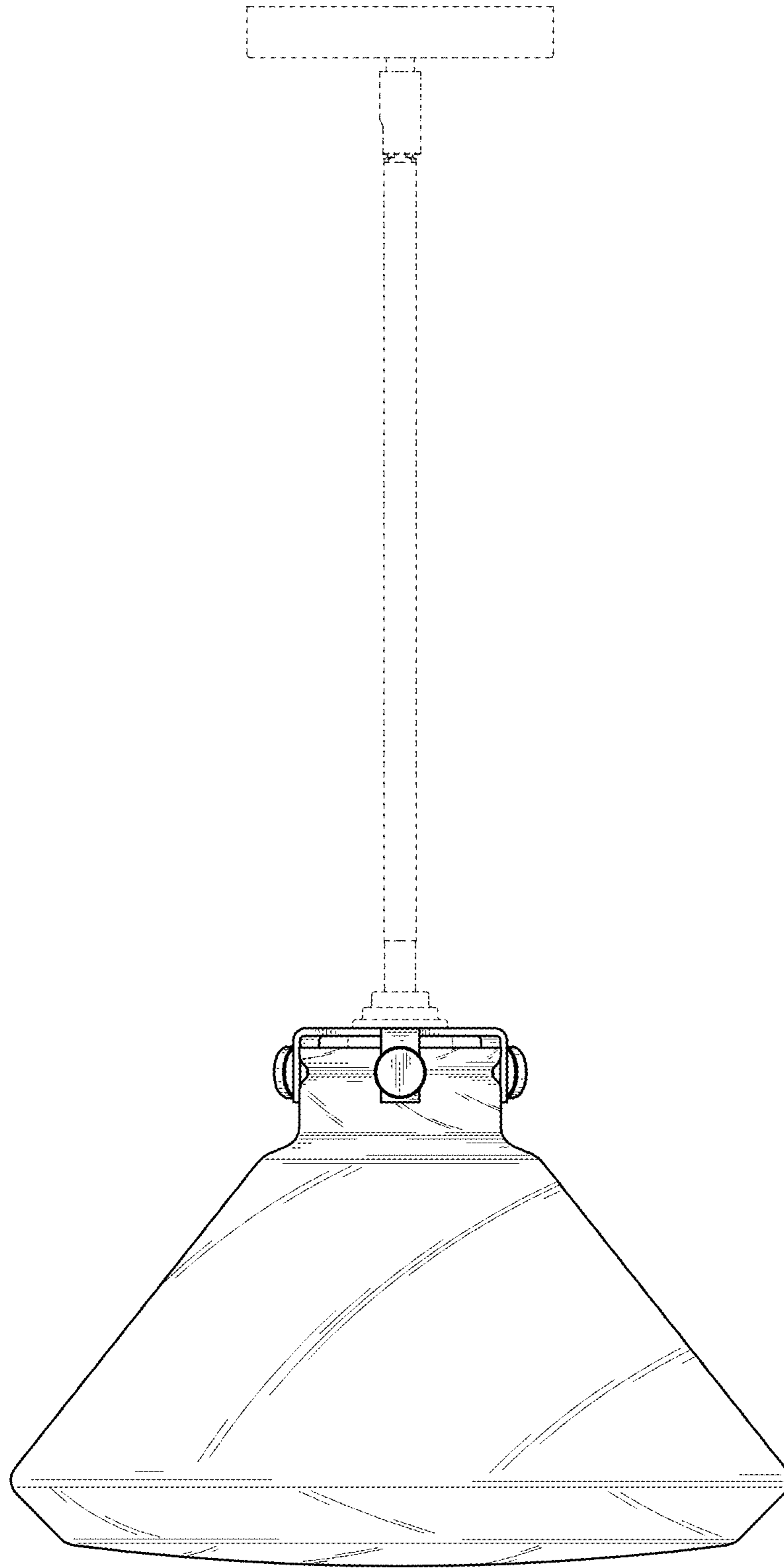


Fig. 28

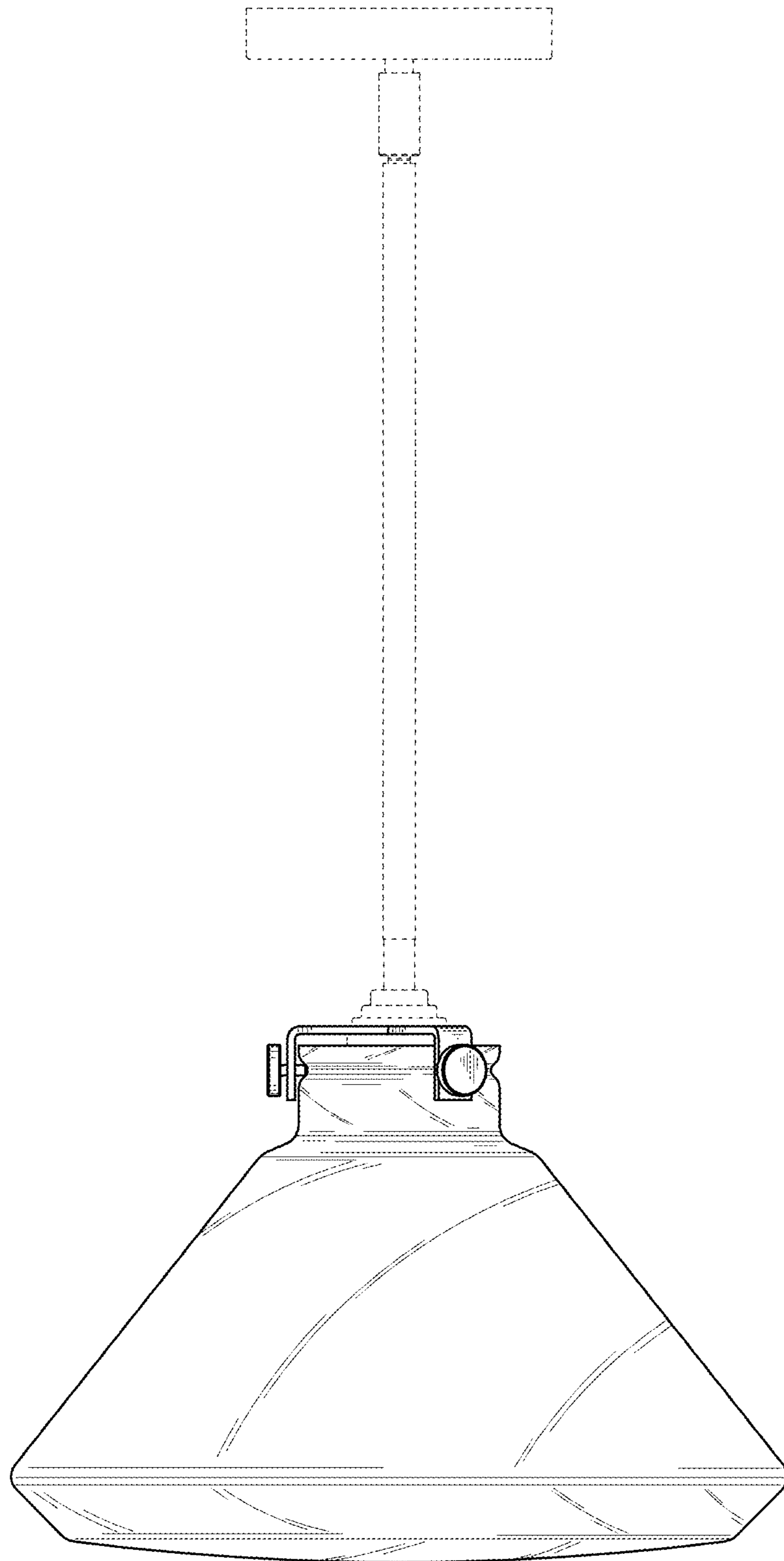
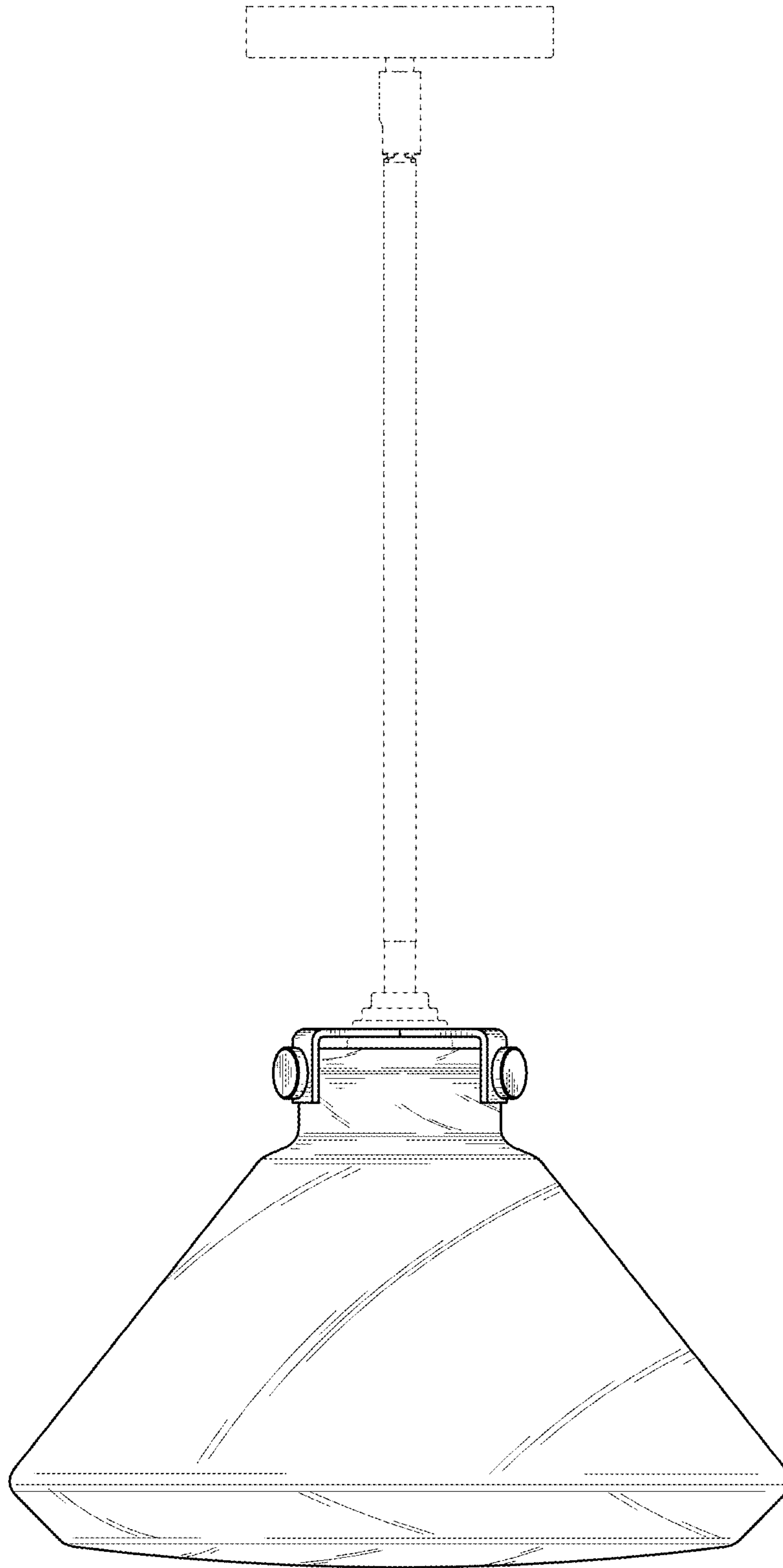
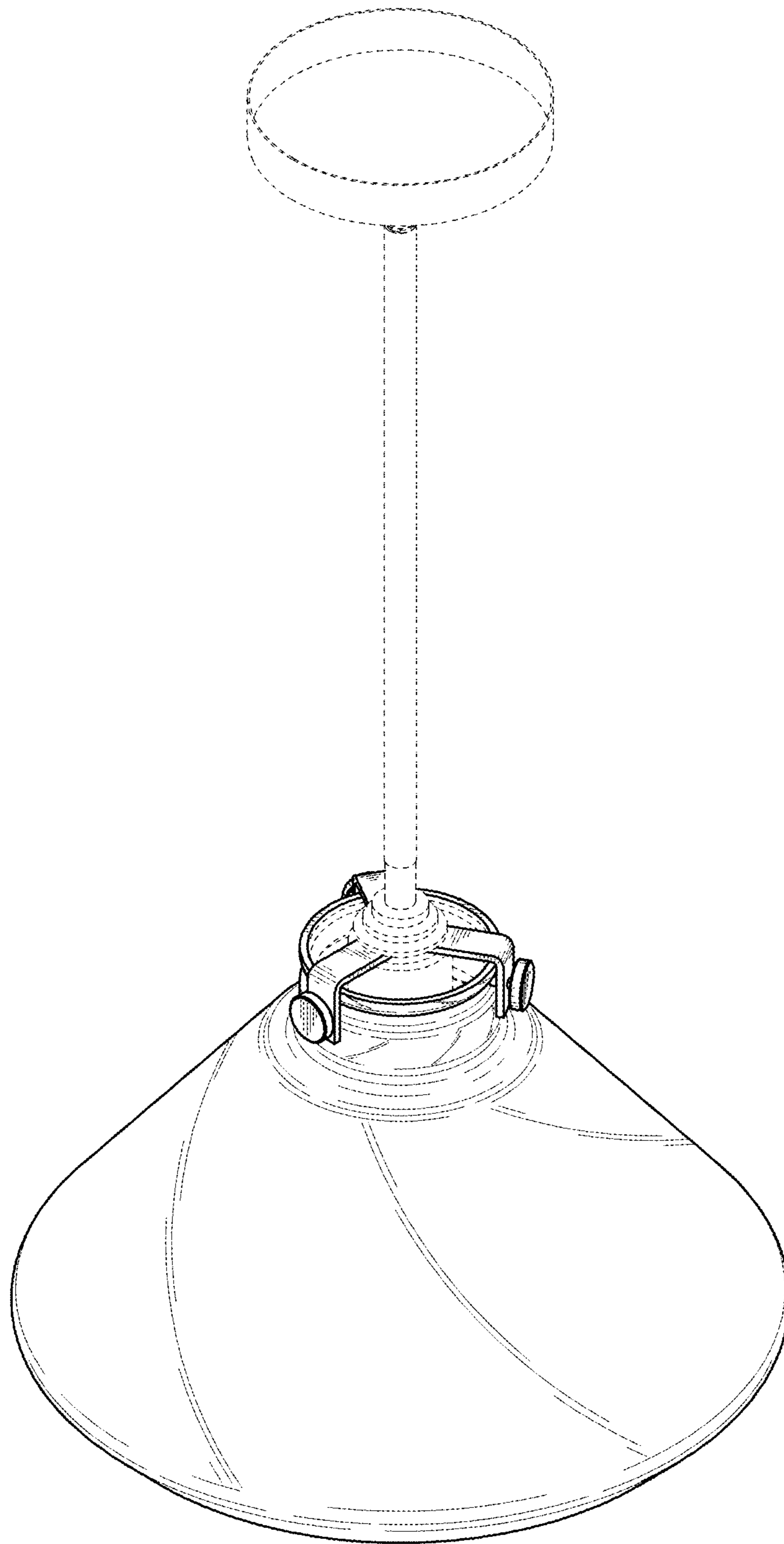


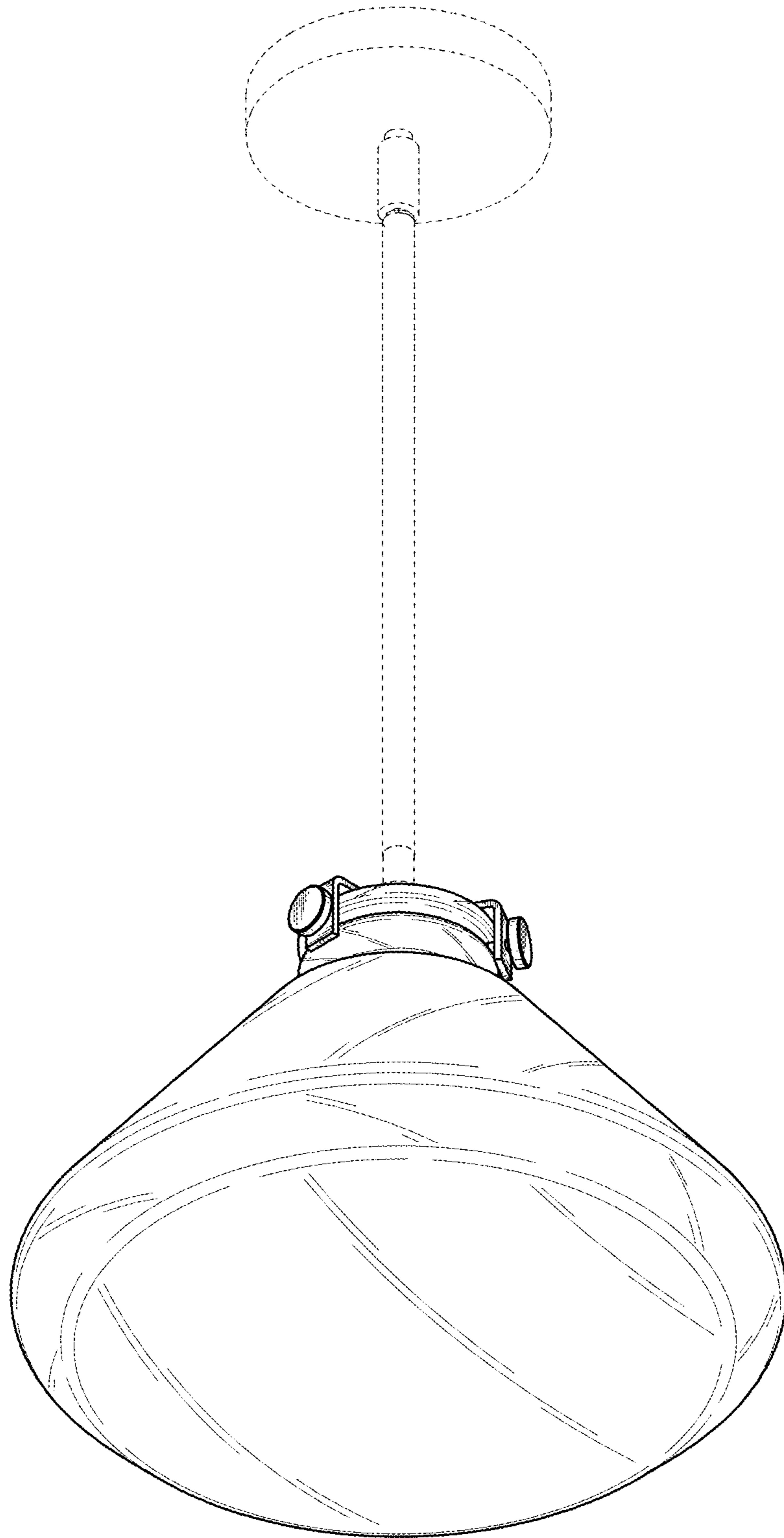
Fig. 29



**Fig. 30**



**Fig. 31**



**Fig. 32**