



US00D770664S

(12) **United States Design Patent** (10) **Patent No.:** **US D770,664 S**
Orozco (45) **Date of Patent:** **** Nov. 1, 2016**

(54) **LIGHTING FIXTURE**

- (71) Applicant: **The L.D. Kichler Co.**, Cleveland, OH (US)
- (72) Inventor: **Sergio Orozco**, West New York, NJ (US)
- (73) Assignee: **The L.D. Kichler Co.**, Cleveland, OH (US)
- (**) Term: **14 Years**
- (21) Appl. No.: **29/474,888**
- (22) Filed: **Mar. 9, 2015**

Related U.S. Application Data

- (63) Continuation of application No. 29/463,458, filed on Nov. 26, 2013, now abandoned, and a continuation of application No. 29/395,346, filed on Jan. 5, 212, now Pat. No. Des. 694,950.
- (51) **LOC (10) Cl.** **26-03**
- (52) **U.S. Cl.**
USPC **D26/87**; D26/86
- (58) **Field of Classification Search**
USPC D26/80-91, 118, 152, 155
CPC F21S 8/03; F21S 8/033; F21S 8/036;
F21S 8/04; F21S 8/043; F21S 8/046; F21S
8/06; F21S 8/061; F21S 8/063; F21S 8/065;
F21S 8/068; F21V 1/04; F21V 1/06; F21V
1/12; F21V 3/02; F21V 3/023; F21V 5/06
See application file for complete search history.

(56) **References Cited**

U.S. PATENT DOCUMENTS

- D391,662 S * 3/1998 Miranda D26/87
- D402,393 S * 12/1998 Kuo D25/136

(Continued)

OTHER PUBLICATIONS

- Prestige Strip 3 Light Vanity Light by Thomas Lighting. Found at wayfair.com, visited Feb. 5, 2016.*
- 3 Light Vanity Light by Forte Lighting. Found at wayfair.com, visited Feb. 5, 2016.*
- Armida 3 Light Bath Vanity by Kichler. Found at wayfair.com, visited Feb. 5, 2016.*

(Continued)

Primary Examiner — Clare E Heflin

(74) *Attorney, Agent, or Firm* — Calfee Halter & Griswold, LLP

(57) **CLAIM**

I claim the ornamental design for a lighting fixture, as shown and described.

DESCRIPTION

FIG. 1 is a front perspective view of a lighting fixture. This fixture has mirror image symmetry along a vertical imaginary plane that bisects the canopy. The lamp bases and shades each have a circular horizontal cross-section.

FIG. 2 is a front elevational view of the lighting fixture of FIG. 1.

FIG. 3 is a right side elevational view of the lighting fixture of FIG. 1.

FIG. 4 is a front perspective view of a lighting fixture. This fixture has mirror image symmetry along a vertical imaginary plane that bisects the canopy. The lamp bases and shades each have a circular horizontal cross-section.

FIG. 5 is a front elevational view of the lighting fixture of FIG. 4.

FIG. 6 is a right side elevational view of the lighting fixture of FIG. 4.

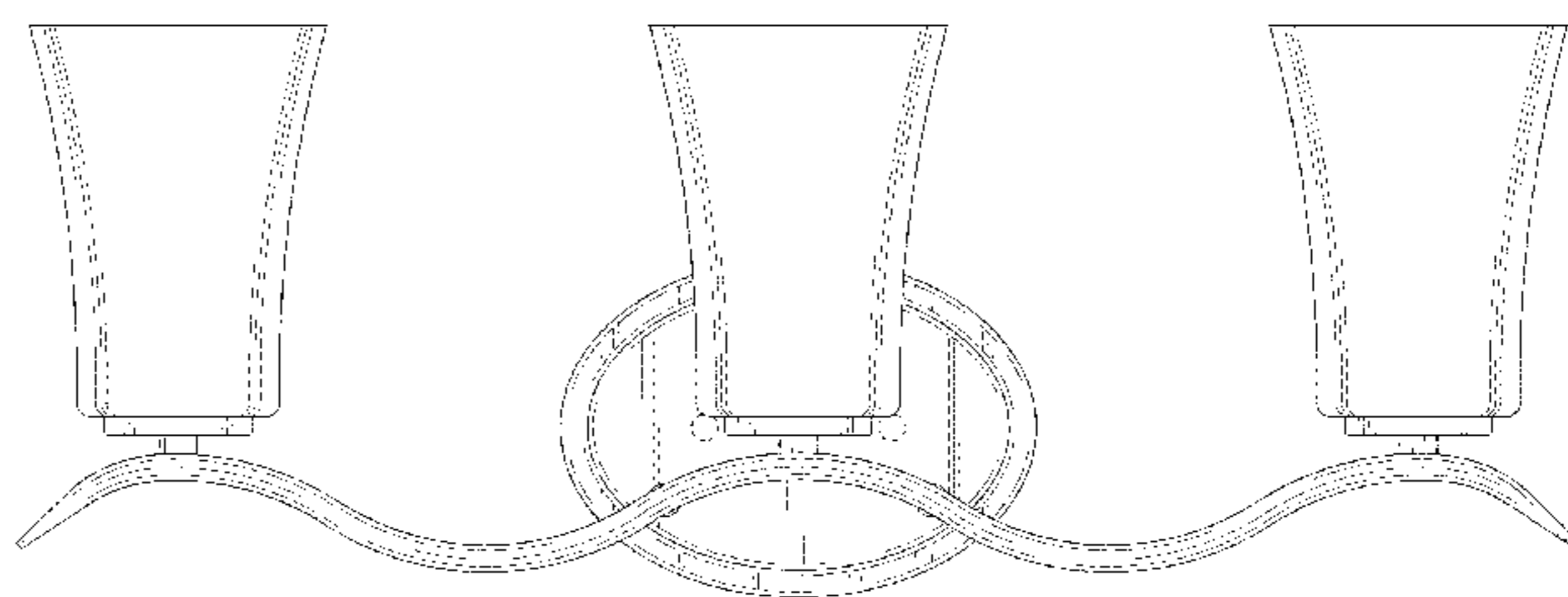
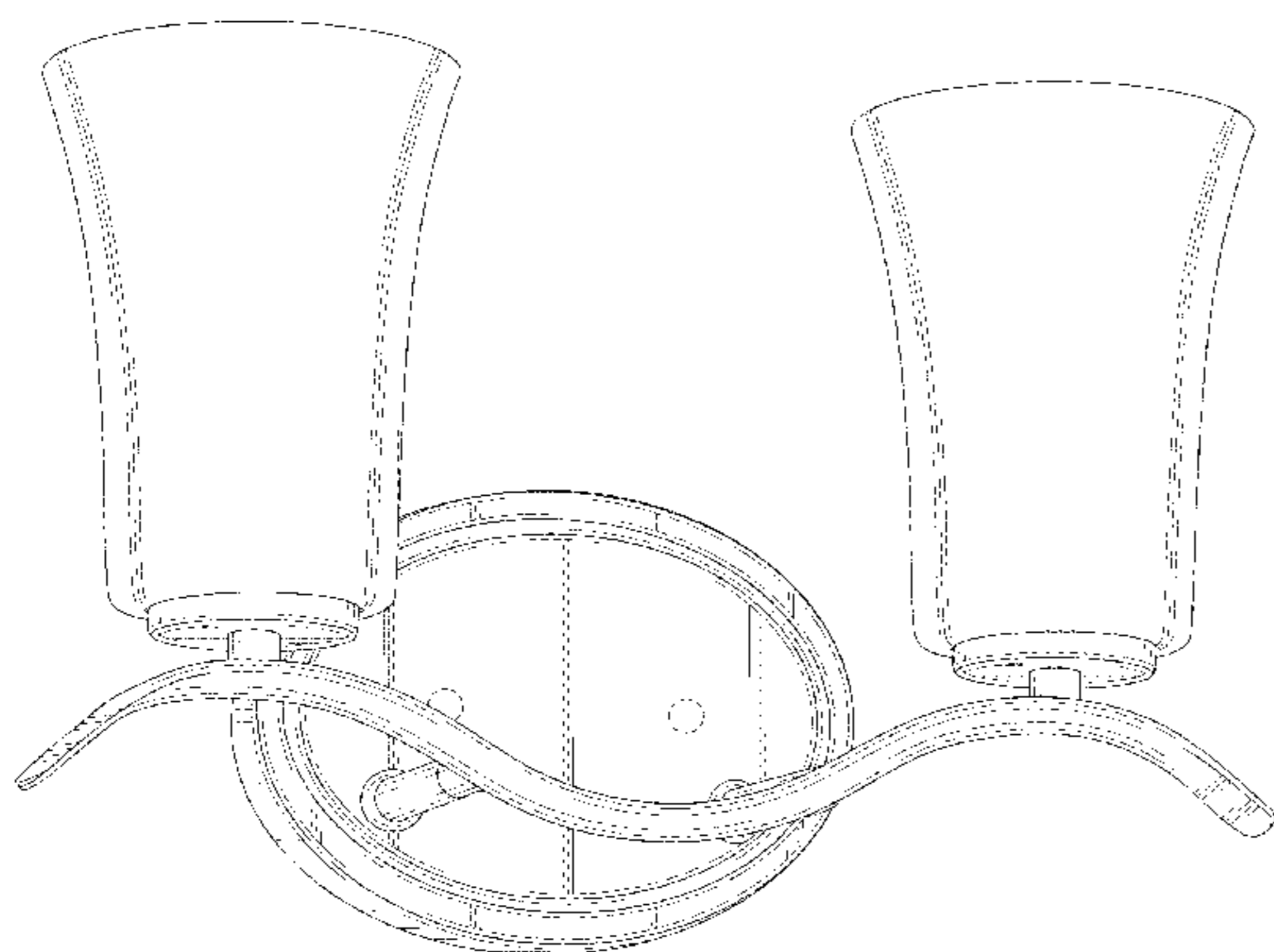
FIG. 7 is a front perspective view of a lighting fixture. This fixture has mirror image symmetry along a vertical imaginary plane that bisects the canopy. The lamp bases and shades each have a circular horizontal cross-section.

FIG. 8 is a front elevational view of the lighting fixture of FIG. 7; and,

FIG. 9 is a right side elevational view of the lighting fixture of FIG. 7.

The broken lines shown in the drawings are for illustrative purposes only and form no part of the claimed design.

1 Claim, 9 Drawing Sheets



(56)

References Cited

U.S. PATENT DOCUMENTS

6,123,443 A * 9/2000 Conway E01F 9/0536
362/145
D473,675 S * 4/2003 Lee D26/87
D576,335 S * 9/2008 Chandler D26/143
D588,306 S * 3/2009 Chan D26/155
D593,707 S * 6/2009 Zakula D26/152
D617,030 S * 6/2010 Sabernig D26/84
D716,486 S * 10/2014 Martin D26/141
D721,199 S * 1/2015 Gilbert D26/86

OTHER PUBLICATIONS

Dover 3 Light Vanity Light by Kichler. Found at wayfair.com, visited Feb. 5, 2016.*
Inspire 3 Light Bath Vanity Light by Progress Lighting. Found at wayfair.com, visited Feb. 5, 2016.*
Progress Lighting P2020-09 “Inspire Collection” 3-Light Vanity Fixture. Found at amazon.com with a date of Jan. 25, 2012, which appears on last page. (3 pages).*
Vanity Fixtures #6322, 6323, 6324, shown on pp. 274 and 275 of the Kichler Lighting Catlog No. 104 © 2004. (5 pages—includes front, rear and spine of catalog).*

* cited by examiner

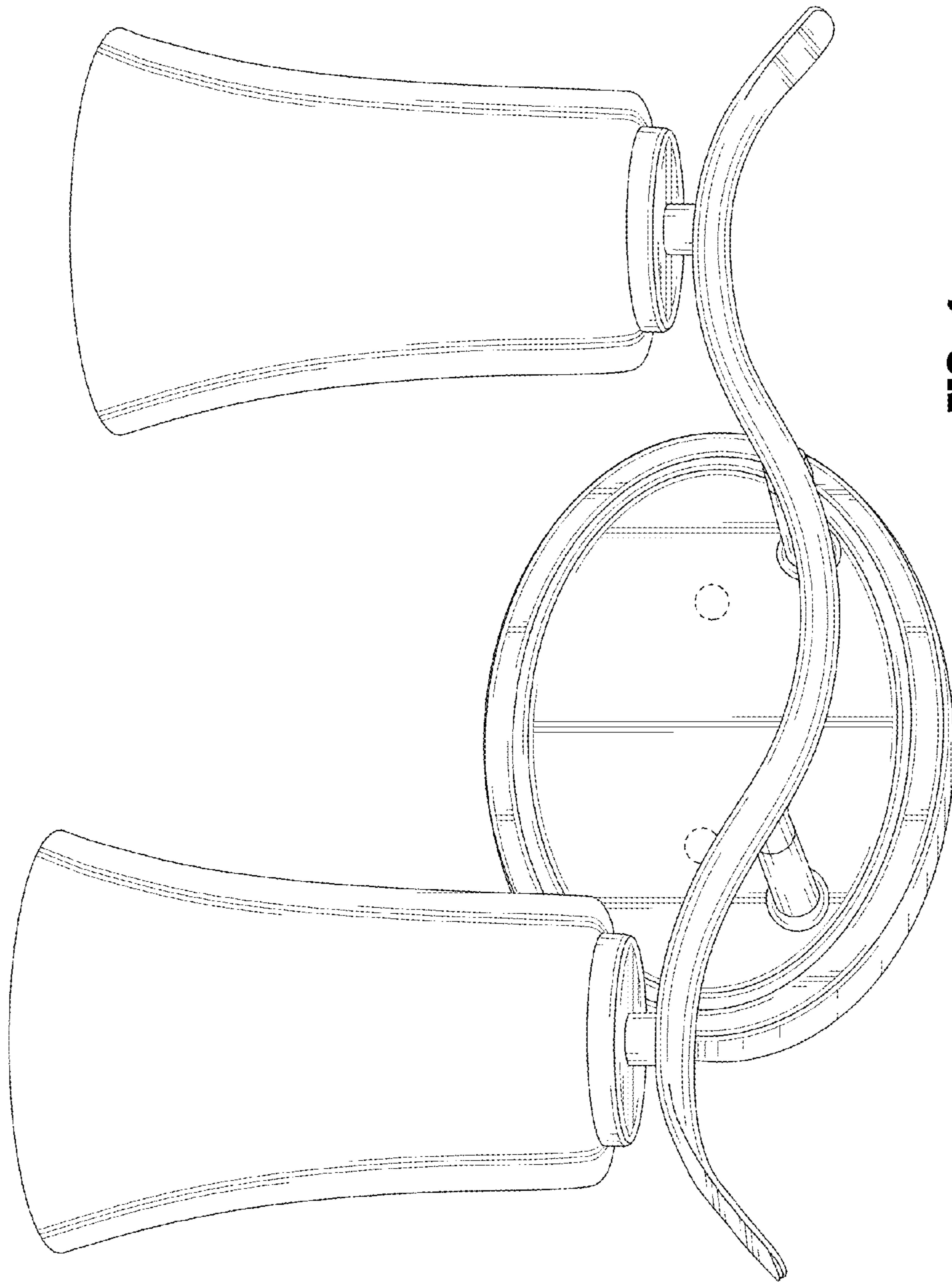


FIG. 1

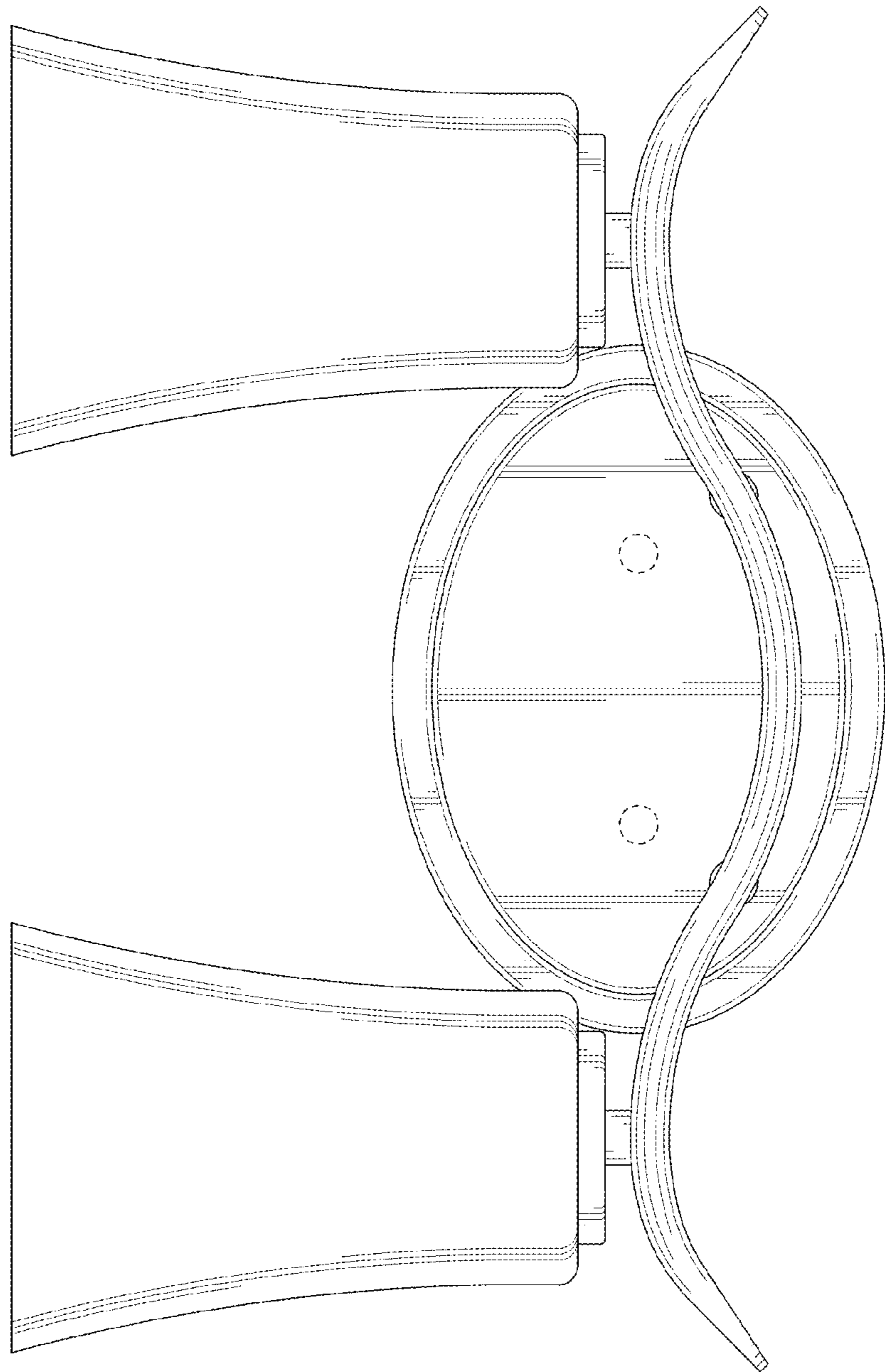


FIG. 2

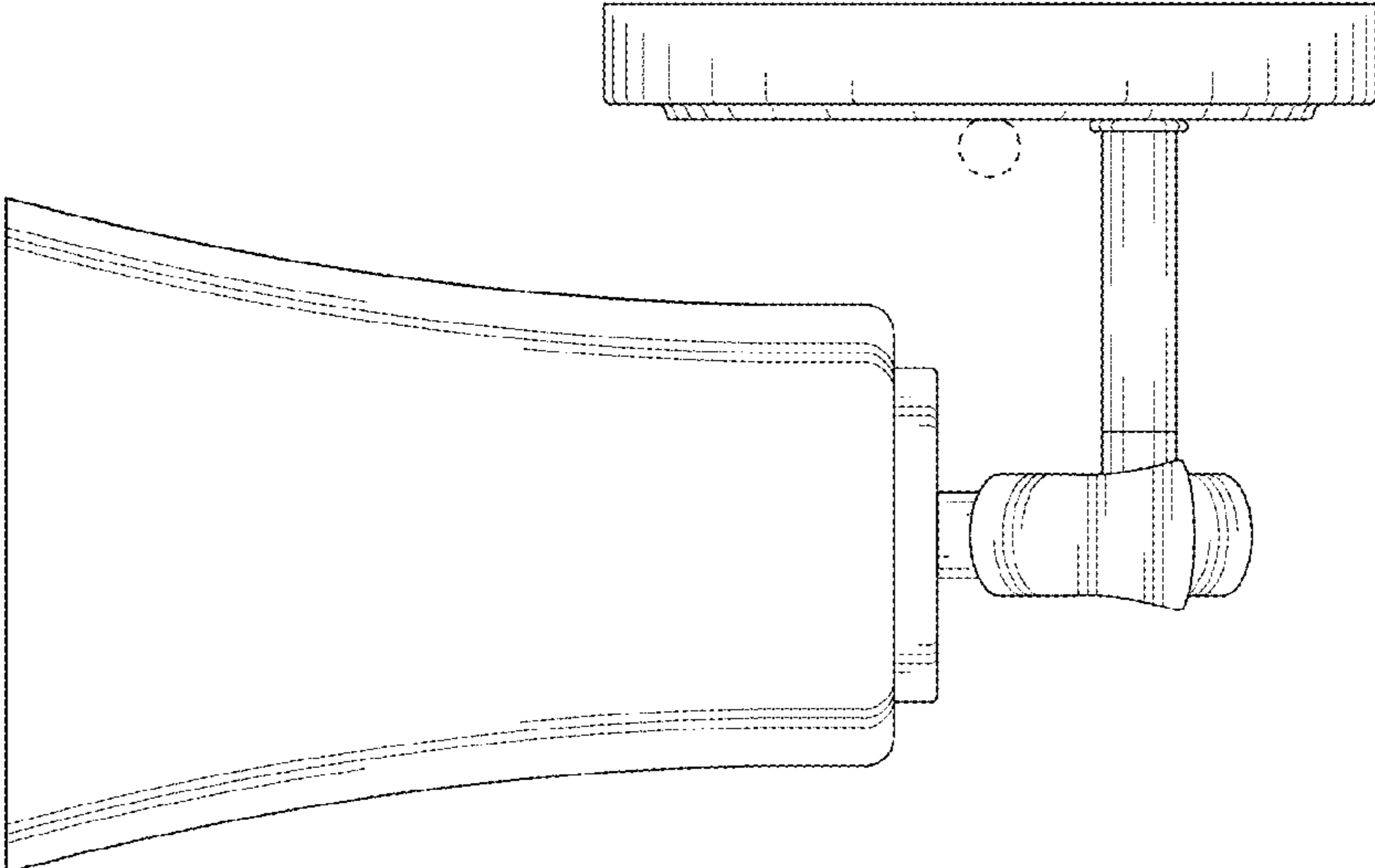


FIG. 3

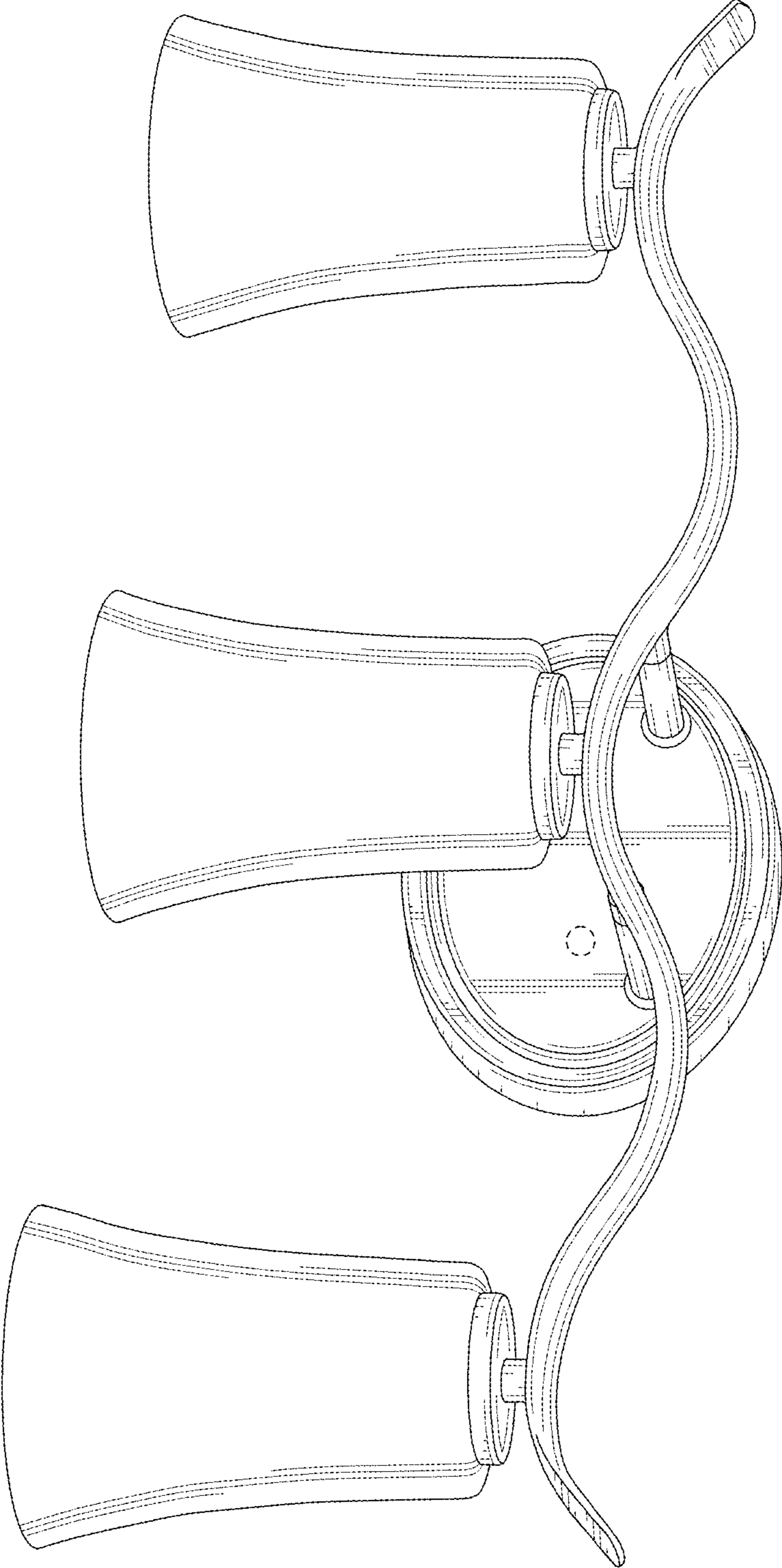


FIG. 4

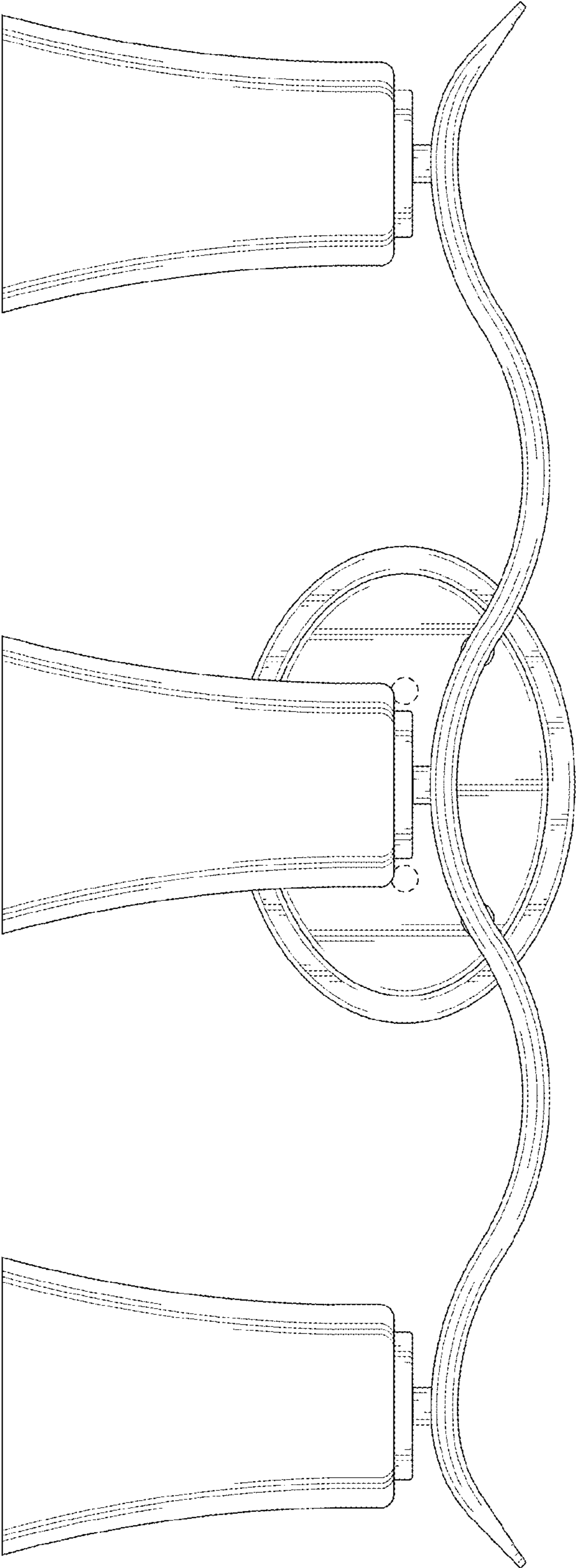


FIG. 5

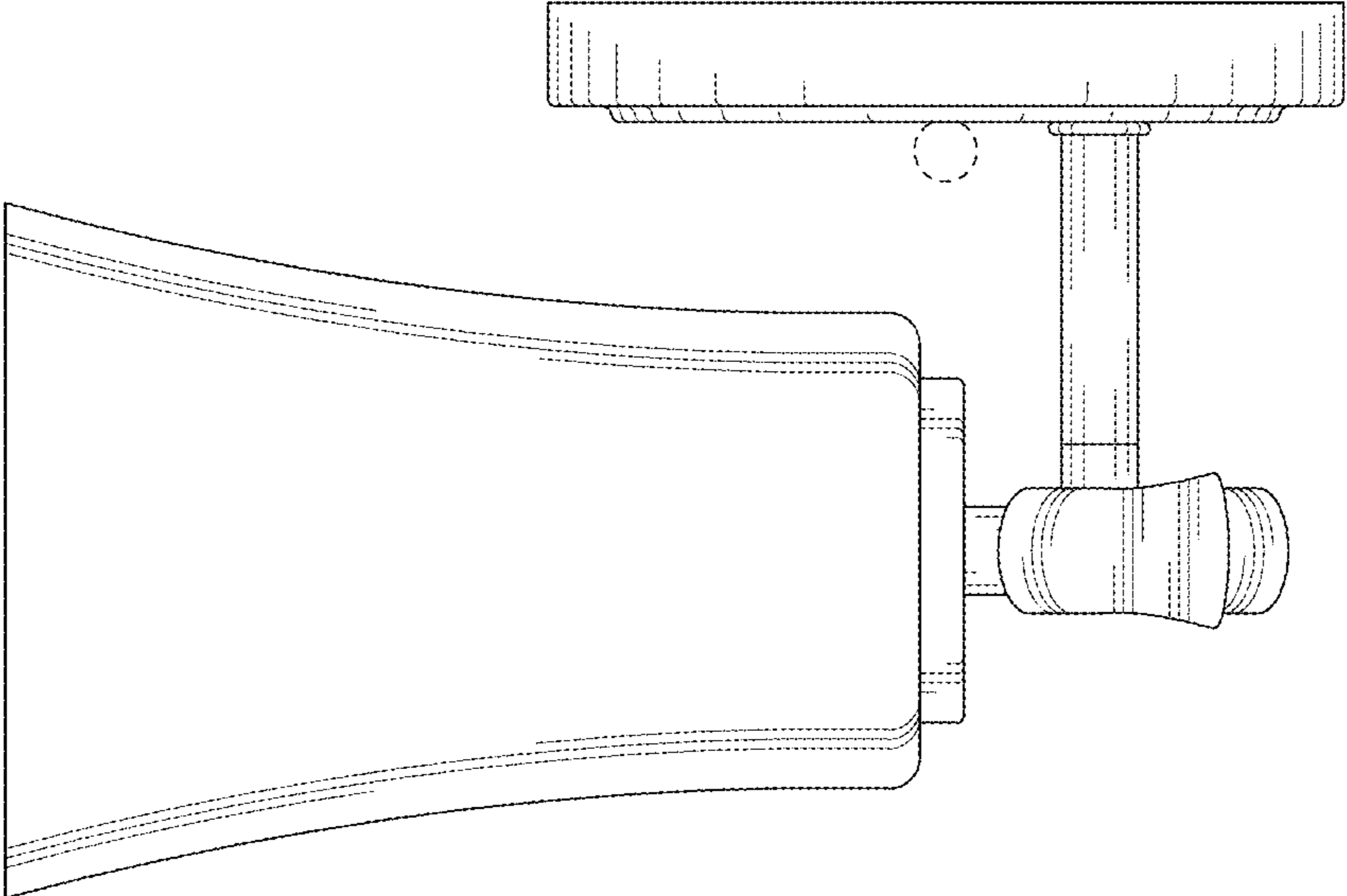


FIG. 6

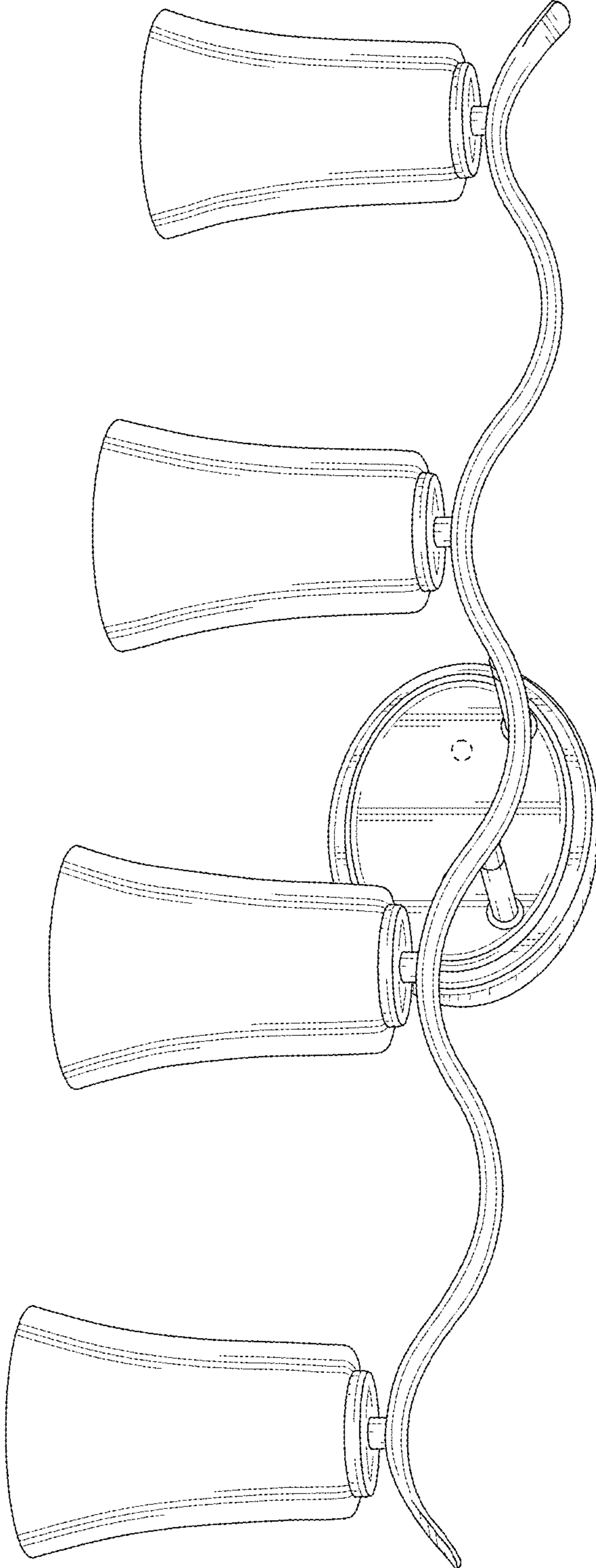


FIG. 7

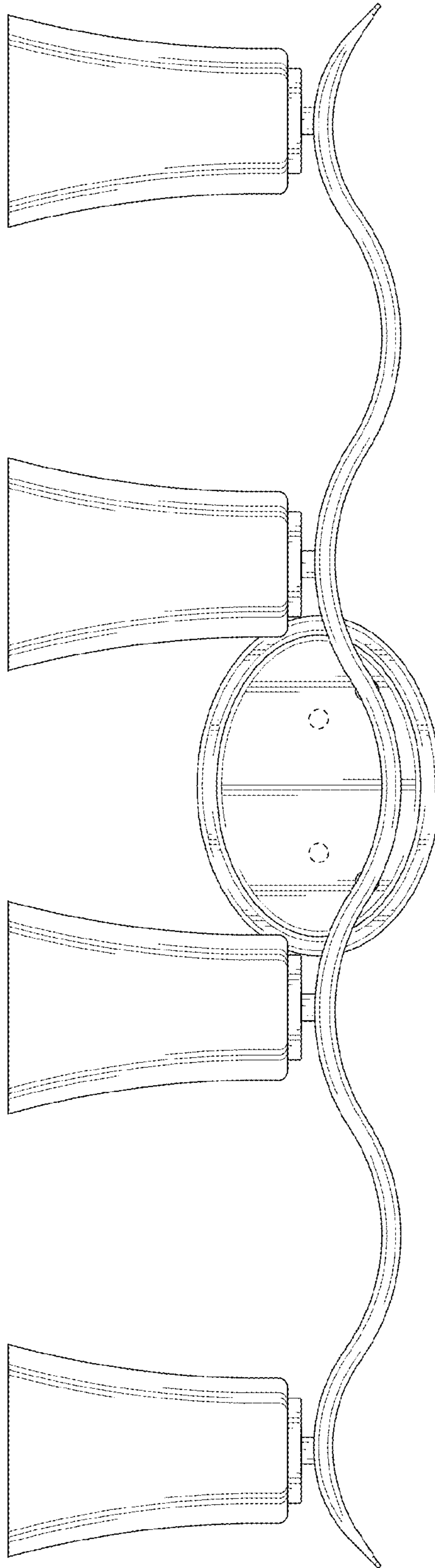


FIG. 8

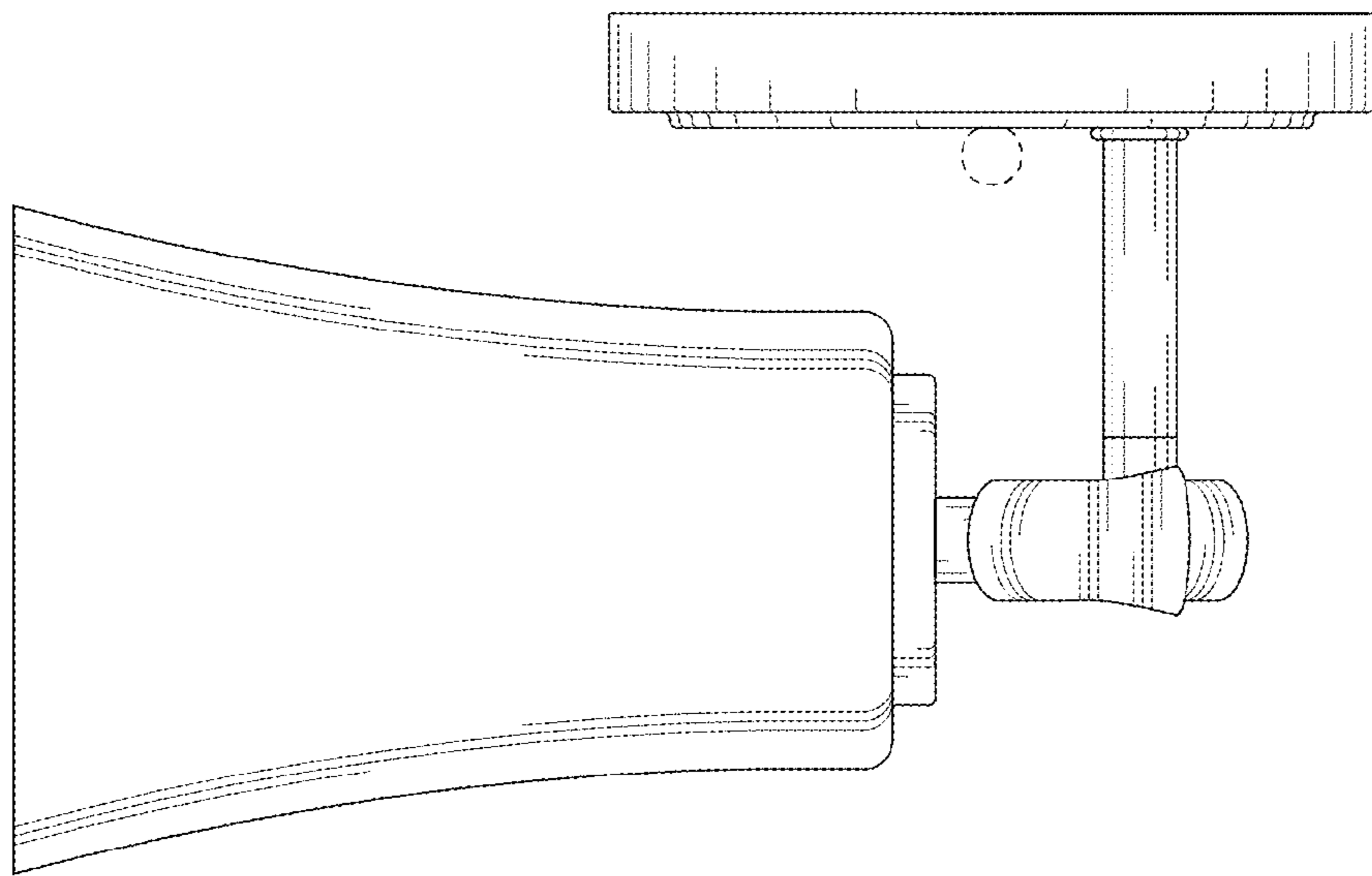


FIG. 9