



US00D770663S

(12) **United States Design Patent**  
**Nicholas**

(10) **Patent No.:** **US D770,663 S**  
(45) **Date of Patent:** **\*\* Nov. 1, 2016**

(54) **LIGHTING FIXTURE**

(71) Applicant: **The L.D. Kichler Co.**, Cleveland, OH (US)

(72) Inventor: **Kenneth J. Nicholas**, Parma, OH (US)

(73) Assignee: **The L.D. Kicher Co.**, Cleveland, OH (US)

(\*\*) Term: **14 Years**

(21) Appl. No.: **29/522,877**

(22) Filed: **Apr. 3, 2015**

**Related U.S. Application Data**

(63) Continuation of application No. 29/442,497, filed on Mar. 14, 2013, now Pat. No. Des. 728,141.

(51) **LOC (10) Cl.** ..... **26-03**

(52) **U.S. Cl.**  
USPC ..... **D26/81**

(58) **Field of Classification Search**

USPC ..... D26/80-91, 118, 152, 155  
CPC ..... F21S 8/03; F21S 8/033; F21S 8/036;  
F21S 8/04; F21S 8/043; F21S 8/046; F21S  
8/06; F21S 8/061; F21S 8/063; F21S 8/065;  
F21S 8/068; F21V 1/04; F21V 1/06; F21V  
1/12; F21V 3/02; F21V 3/023; F21V 5/06  
See application file for complete search history.

(56) **References Cited**

**U.S. PATENT DOCUMENTS**

D35,908 S \* 5/1902 Jamison ..... D26/81  
D60,922 S \* 4/1922 Shardlow ..... D26/88  
D67,662 S \* 6/1925 Klein ..... D26/81  
D85,629 S \* 11/1931 Wing ..... D26/88  
D91,159 S \* 12/1933 McFadden ..... D26/81  
D342,338 S \* 12/1993 Thun ..... D26/63  
D472,008 S \* 3/2003 Gulassa ..... D26/90

D580,088 S \* 11/2008 Orozco ..... D26/81  
D659,278 S \* 5/2012 Sage ..... D26/81  
D660,499 S \* 5/2012 Sage ..... D26/81  
D697,252 S \* 1/2014 Baylar ..... D26/88  
D705,475 S \* 5/2014 Kitts ..... D26/81  
D728,141 S \* 4/2015 Nicholas ..... D26/81

**OTHER PUBLICATIONS**

Pottery Barn's Dumont Mirrored Chandelier/ from potterybarn.com visited Feb. 5, 2016.(2 pages).\*

Ballard Designs' Hudson 4-Light Pendant/ from ballarddesigns.com visited Feb. 5, 2016. (3 pages).\*

\* cited by examiner

*Primary Examiner* — Clare E Heflin

(74) *Attorney, Agent, or Firm* — Calfee, Halter & Griswold LLP

(57) **CLAIM**

I claim the ornamental design for a lighting fixture, as shown and described.

**DESCRIPTION**

FIG. 1 is a perspective view of a lighting fixture. This fixture has four-way, ninety degree overall rotational symmetry. The candles, glasses, support ring, and center pieces each have a circular horizontal cross-section. The vertical frame members each have a circular vertical cross-section.

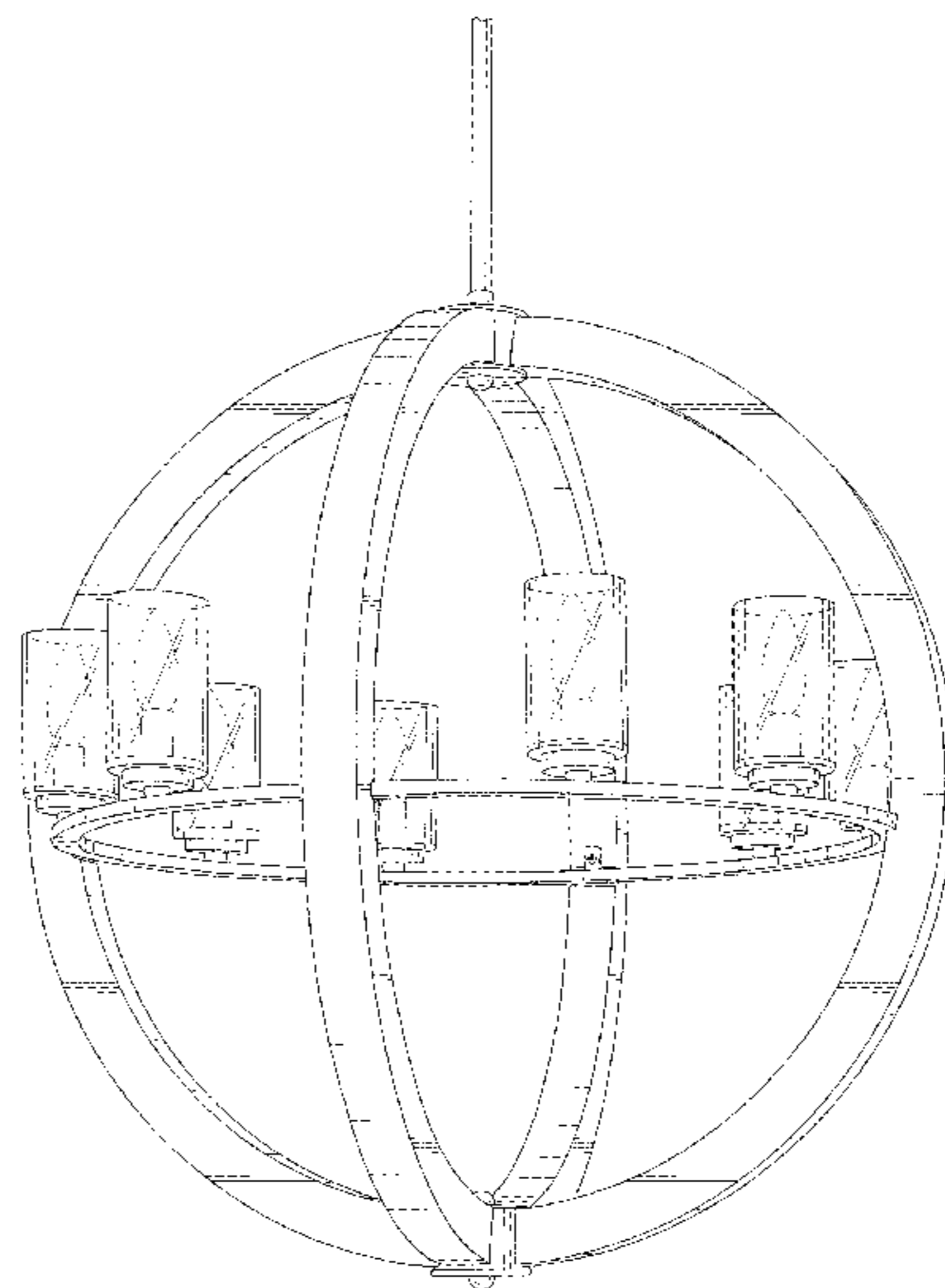
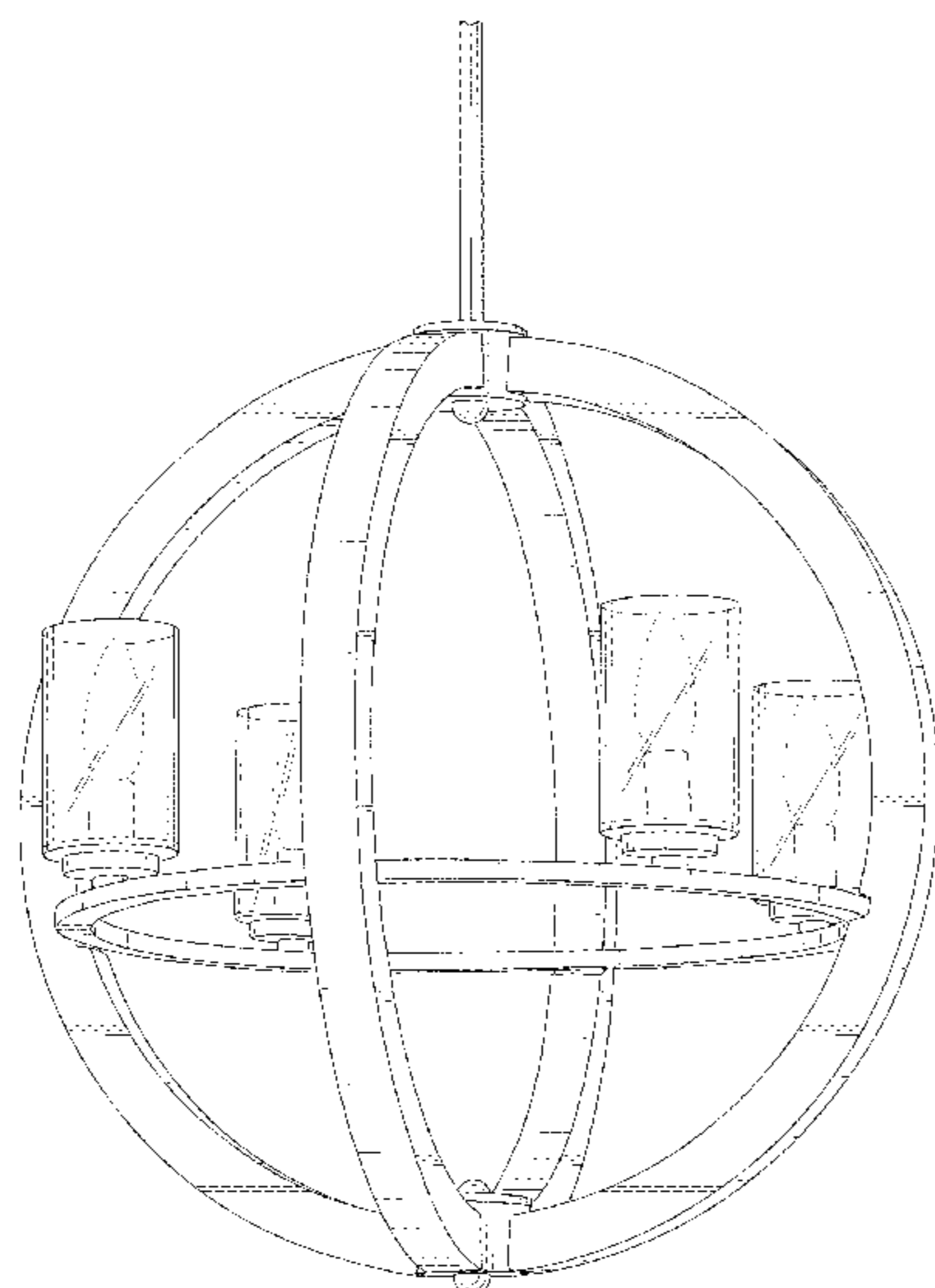
FIG. 2 is a side elevational view of the lighting fixture of FIG. 1.

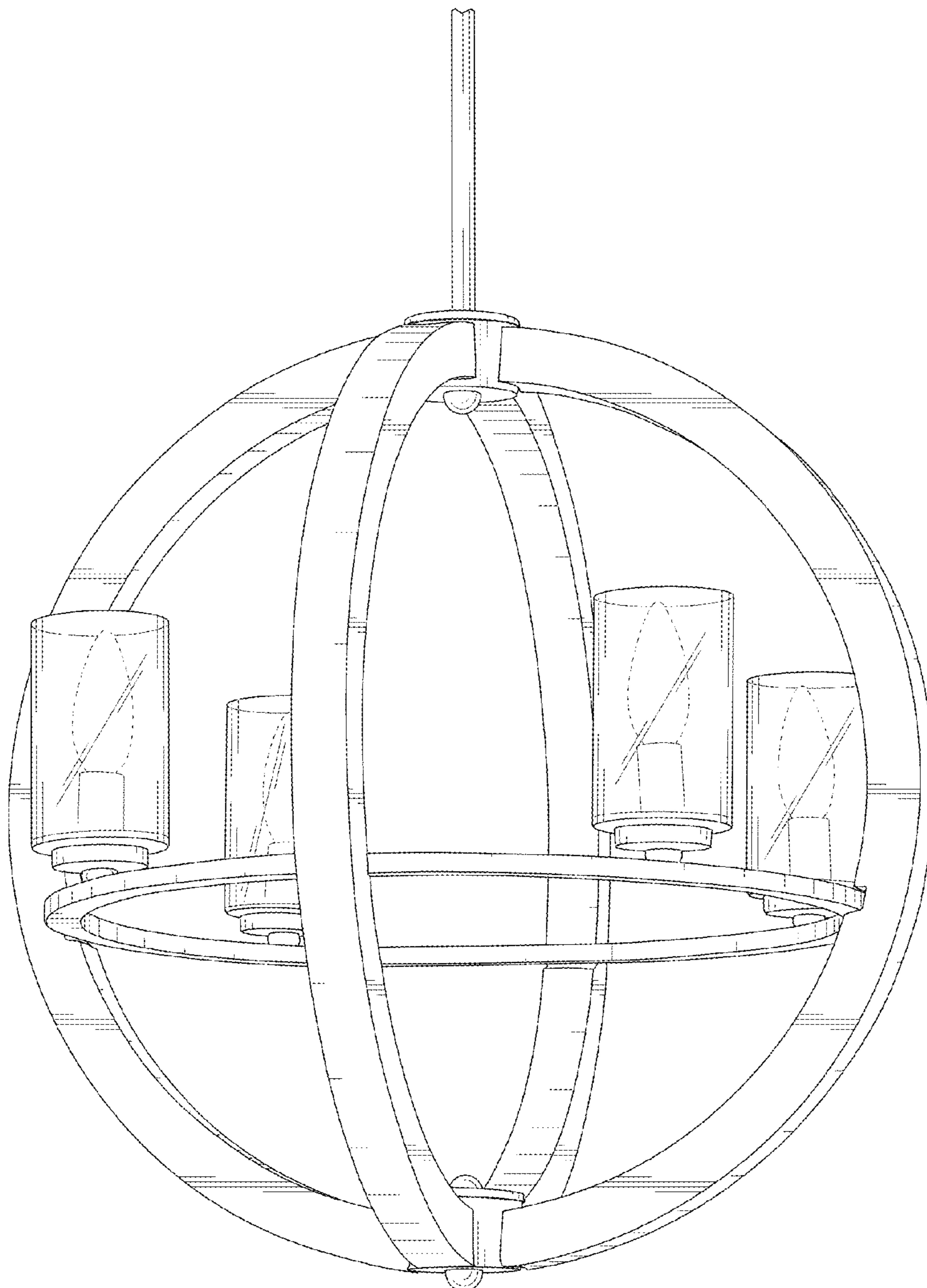
FIG. 3 is a top plan view of the lighting fixture of FIG. 1; FIG. 4 is a perspective view of a second embodiment of the lighting fixture.

FIG. 5 is a side elevational view of the lighting fixture of FIG. 4; and,

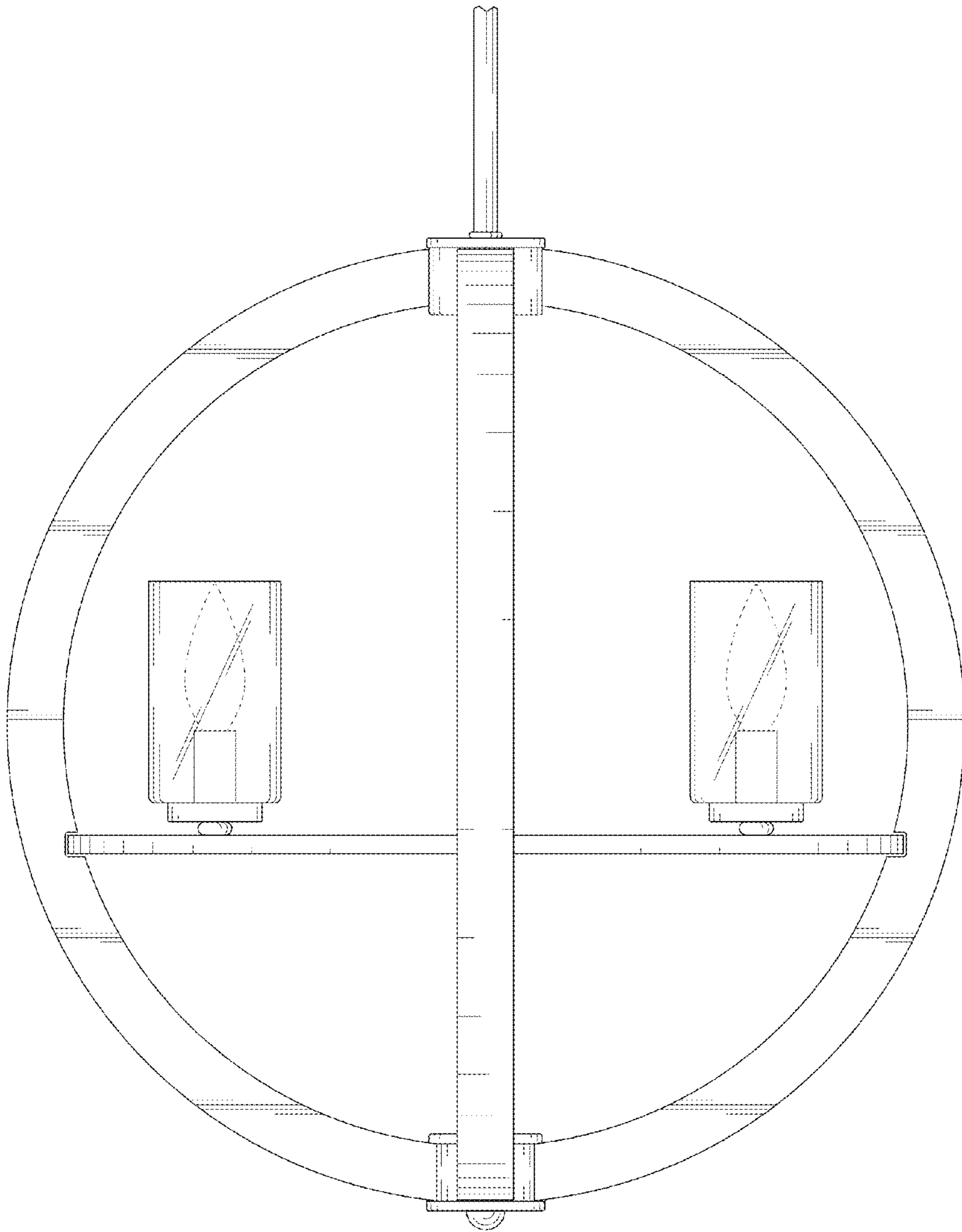
FIG. 6 is a top plan view of the lighting fixture of FIG. 4. The broken lines shown on the drawings depict portions of the lighting fixture that form no part of the claimed design.

**1 Claim, 6 Drawing Sheets**

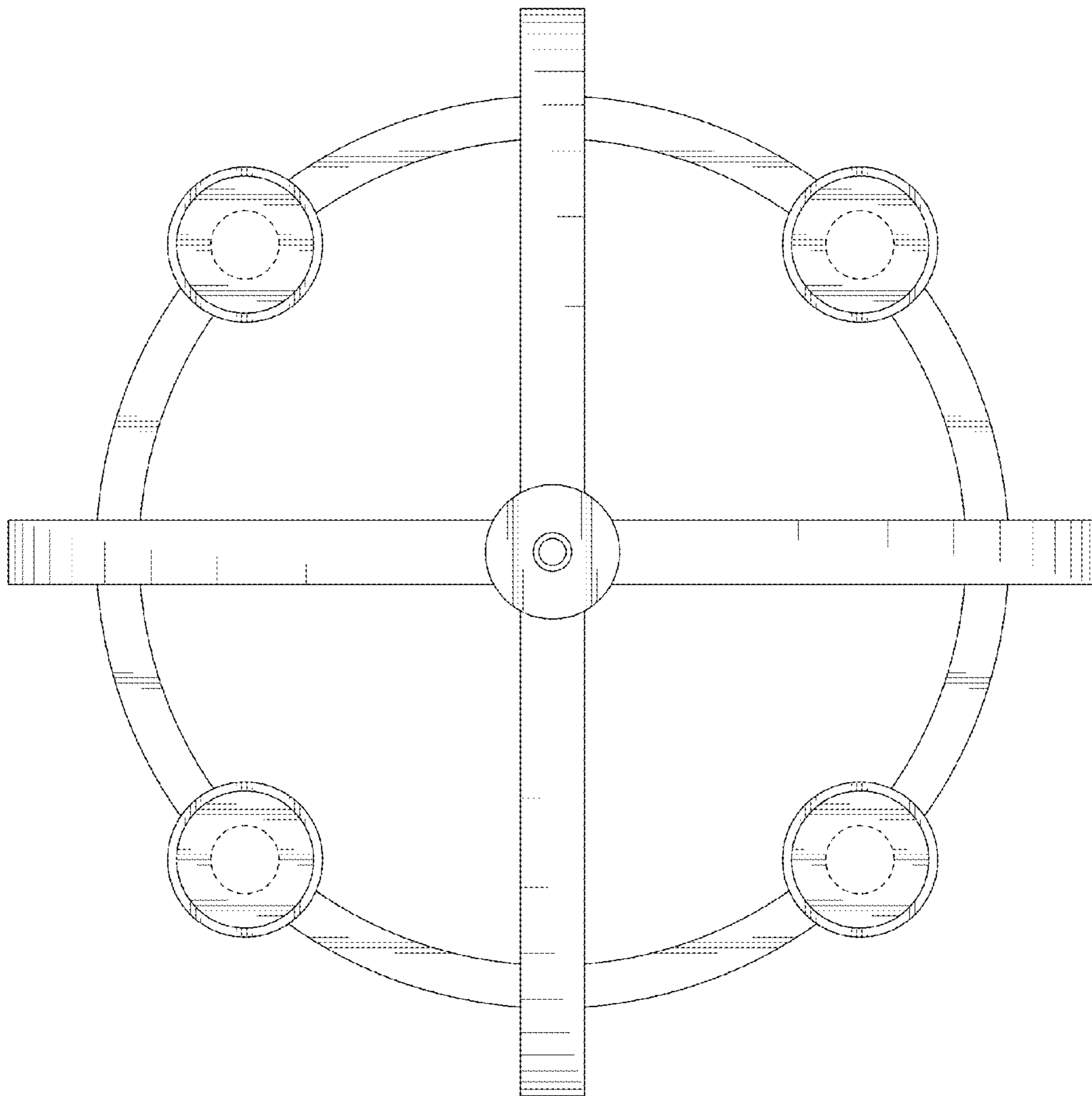




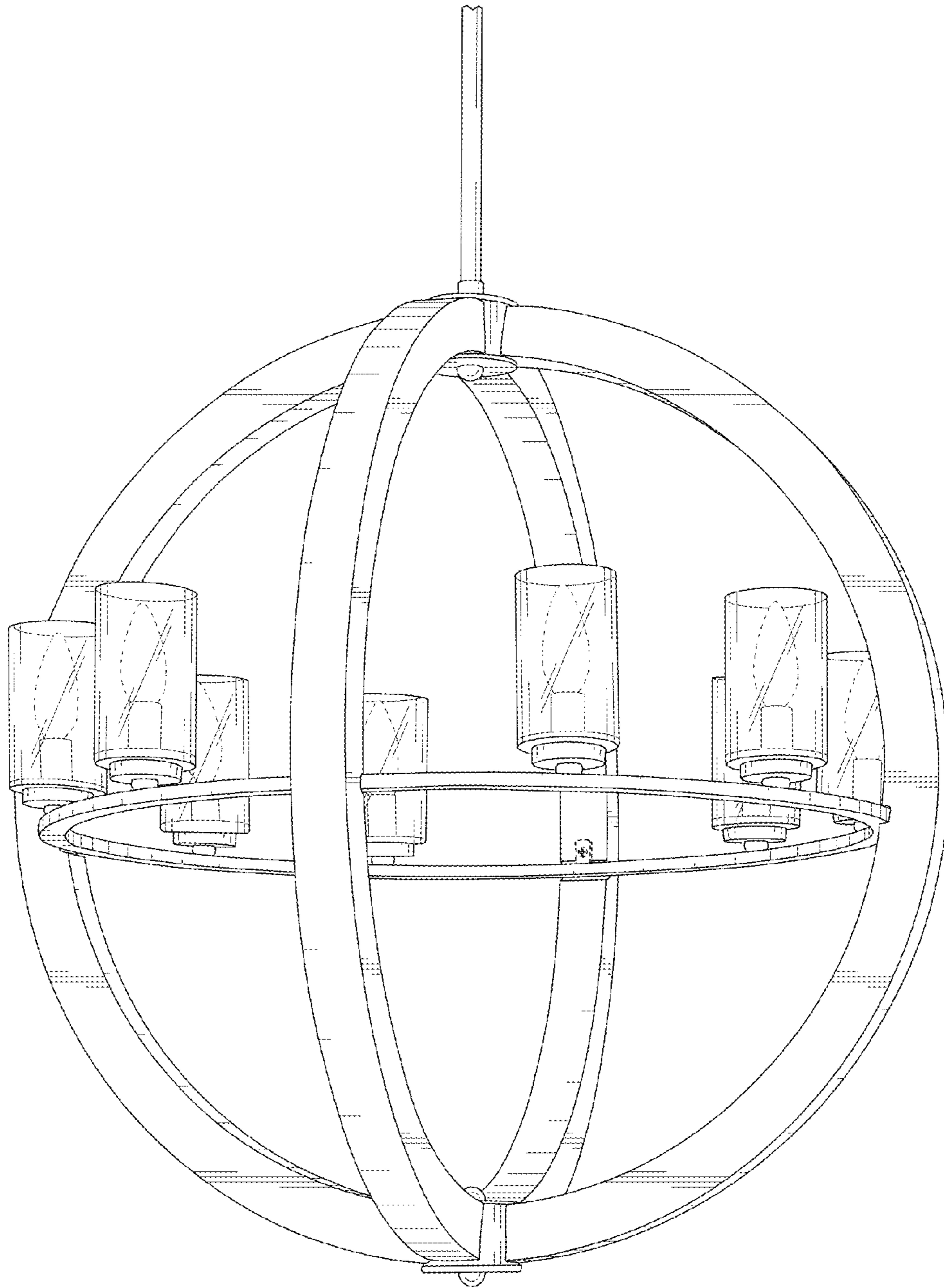
**FIG. 1**



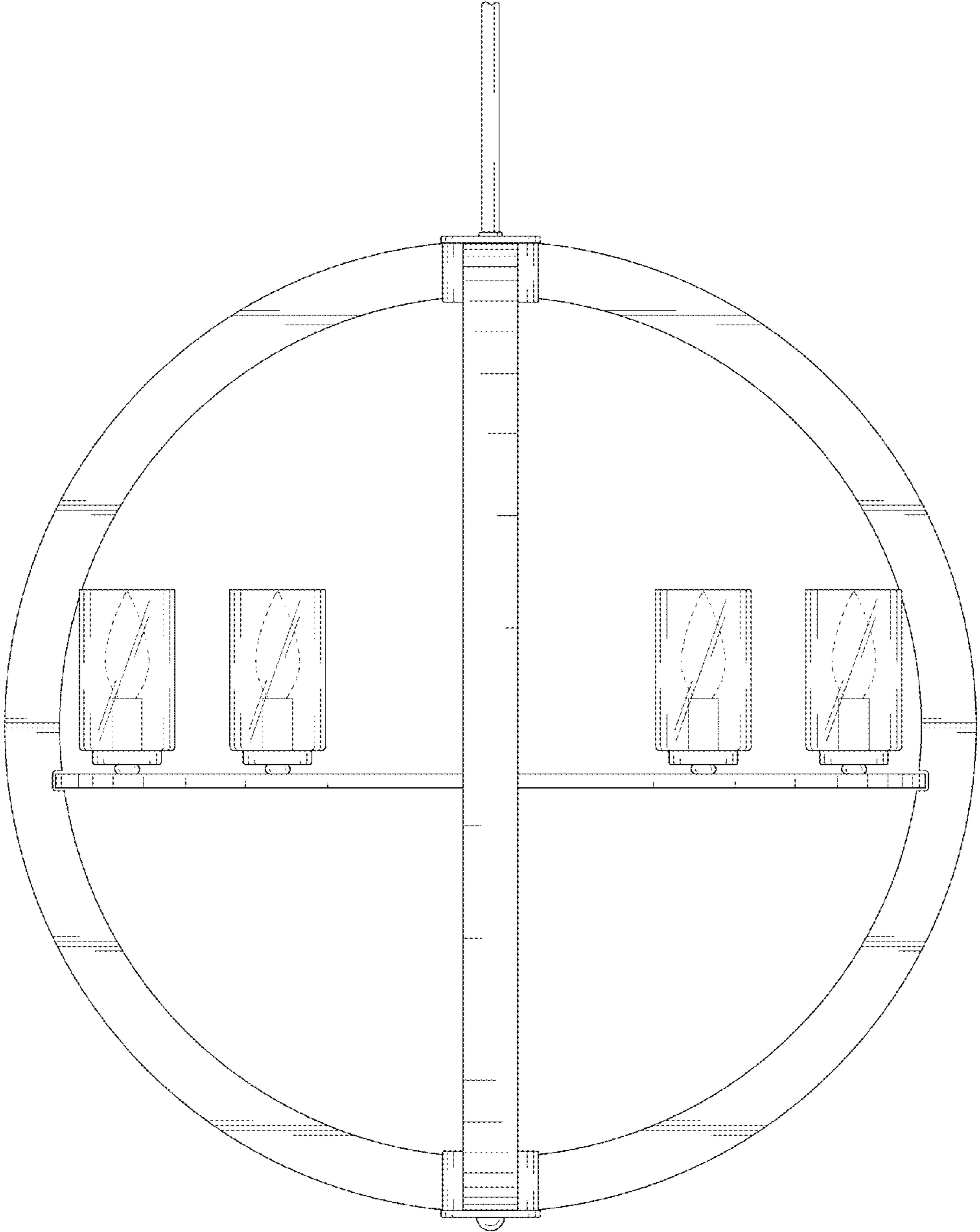
**FIG. 2**



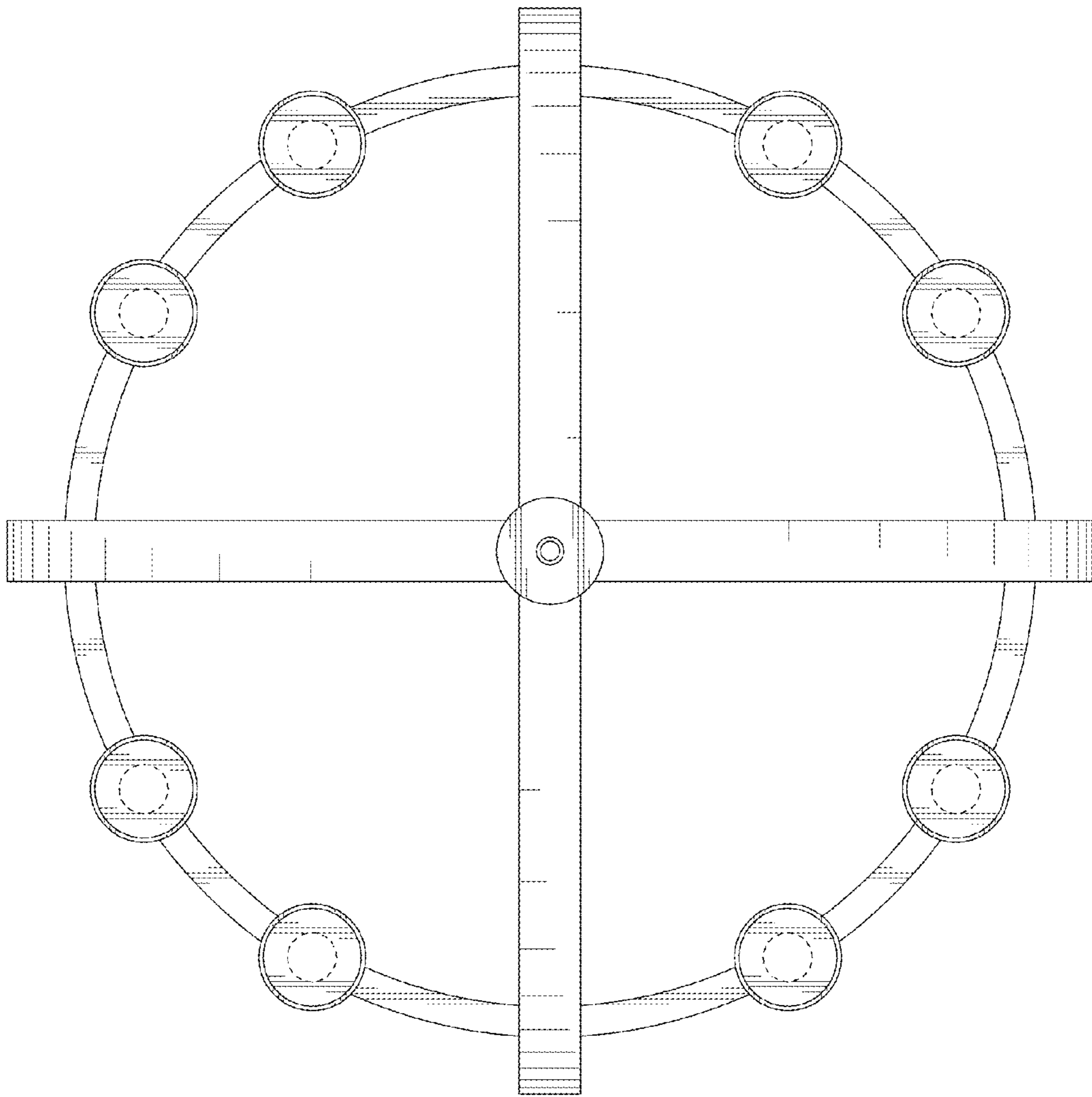
**FIG. 3**



**FIG. 4**



**FIG. 5**



**FIG. 6**