



US00D770661S

(12) **United States Design Patent**
Huang et al.

(10) **Patent No.:** **US D770,661 S**

(45) **Date of Patent:** **** Nov. 1, 2016**

(54) **EMERGENCY LAMP**

(71) Applicants: **Alex Huang**, Guangdong Province (CN); **Qiusheng Chen**, Guangdong Province (CN)

(72) Inventors: **Alex Huang**, Guangdong Province (CN); **Qiusheng Chen**, Guangdong Province (CN)

(**) Term: **14 Years**

(21) Appl. No.: **29/523,419**

(22) Filed: **Apr. 9, 2015**

(30) **Foreign Application Priority Data**

Feb. 9, 2015 (CN) 2015 3 0038246

(51) **LOC (10) Cl.** **26-05**

(52) **U.S. Cl.**
USPC **D26/74**

(58) **Field of Classification Search**

USPC D26/74, 72, 75, 76, 77, 78, 85, 88, 89, D26/118, 138, 141; 362/364, 365, 373, 145, 362/146, 147, 148, 150, 153, 153.1, 294, 362/296.01, 296.07, 296.08

CPC F21V 29/2262; F21V 7/06; F21V 21/044; F21V 21/047; F21V 29/2212; F21V 29/2225; F21V 29/2256; F21V 29/225; F21V 29/2268; F21Y 2111/002; F21S 8/02; F21S 8/026

See application file for complete search history.

(56) **References Cited**

U.S. PATENT DOCUMENTS

D545,487 S * 6/2007 Bynum D26/120
D611,641 S * 3/2010 Dworschak D26/74

D628,733 S * 12/2010 Cobb, III D26/74
D646,829 S * 10/2011 Pan D26/74
D652,559 S * 1/2012 Beghelli D26/74
D662,642 S * 6/2012 Huang D26/74
D668,375 S * 10/2012 Daniels D26/89
D691,318 S * 10/2013 Wilcox D26/85
D691,319 S * 10/2013 Guercio D26/85
D695,442 S * 12/2013 Speier D26/74
D702,868 S * 4/2014 Patel D26/74
D711,036 S * 8/2014 Salomon D26/74
D744,689 S * 12/2015 Maxik D26/74

* cited by examiner

Primary Examiner — Angela J Lee

(74) *Attorney, Agent, or Firm* — Rahman LLC

(57) **CLAIM**

The ornamental design for an emergency lamp, as shown and described.

DESCRIPTION

FIG. 1 is a perspective view of an emergency lamp showing our new design;

FIG. 2 is a back perspective view thereof;

FIG. 3 is a front view thereof;

FIG. 4 is a back view thereof;

FIG. 5 is a right side view thereof;

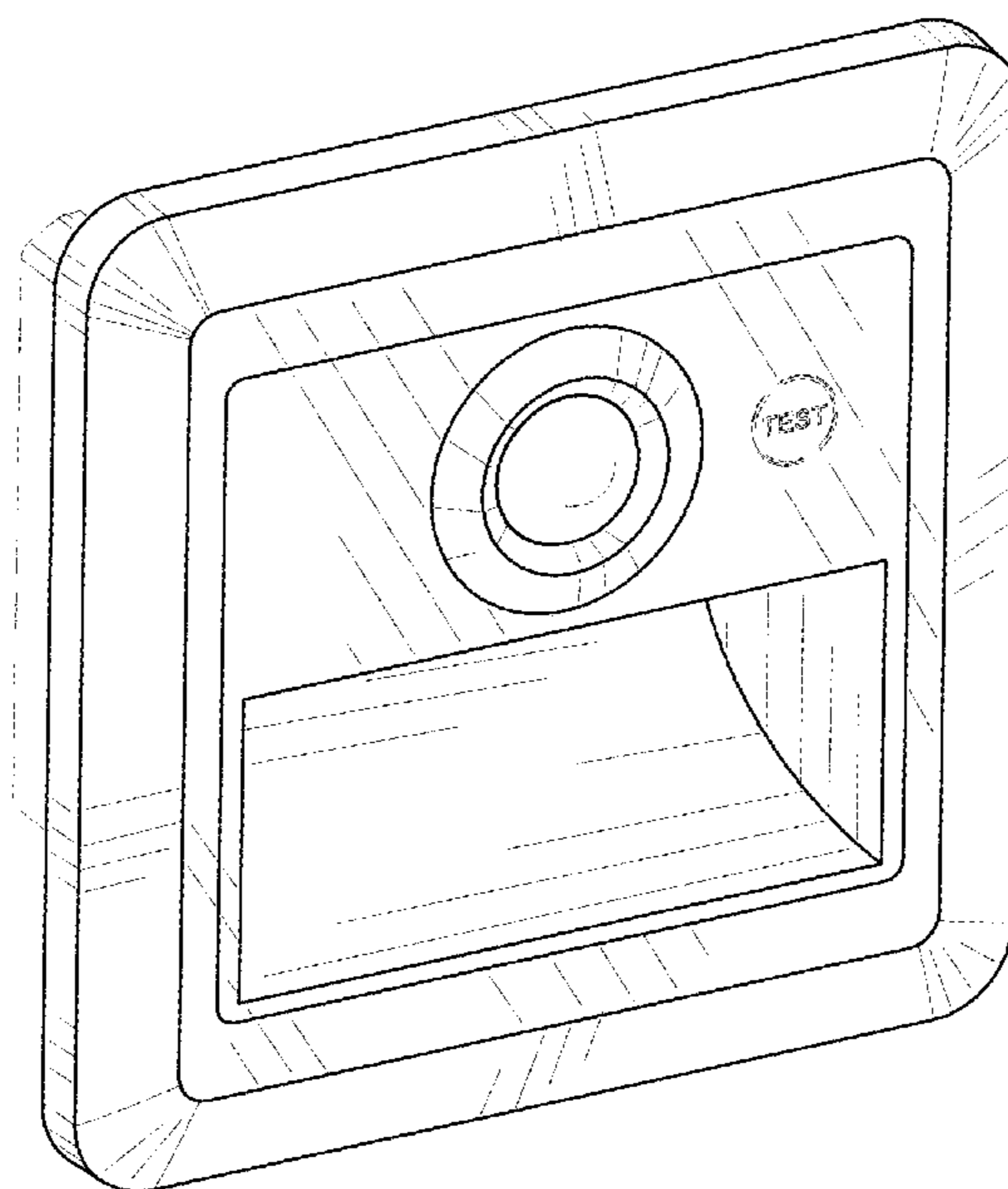
FIG. 6 is a left side view thereof;

FIG. 7 is a top view thereof; and,

FIG. 8 is a bottom view thereof.

The broken lines shown represent unclaimed subject matter and form no part of the claimed design.

1 Claim, 8 Drawing Sheets



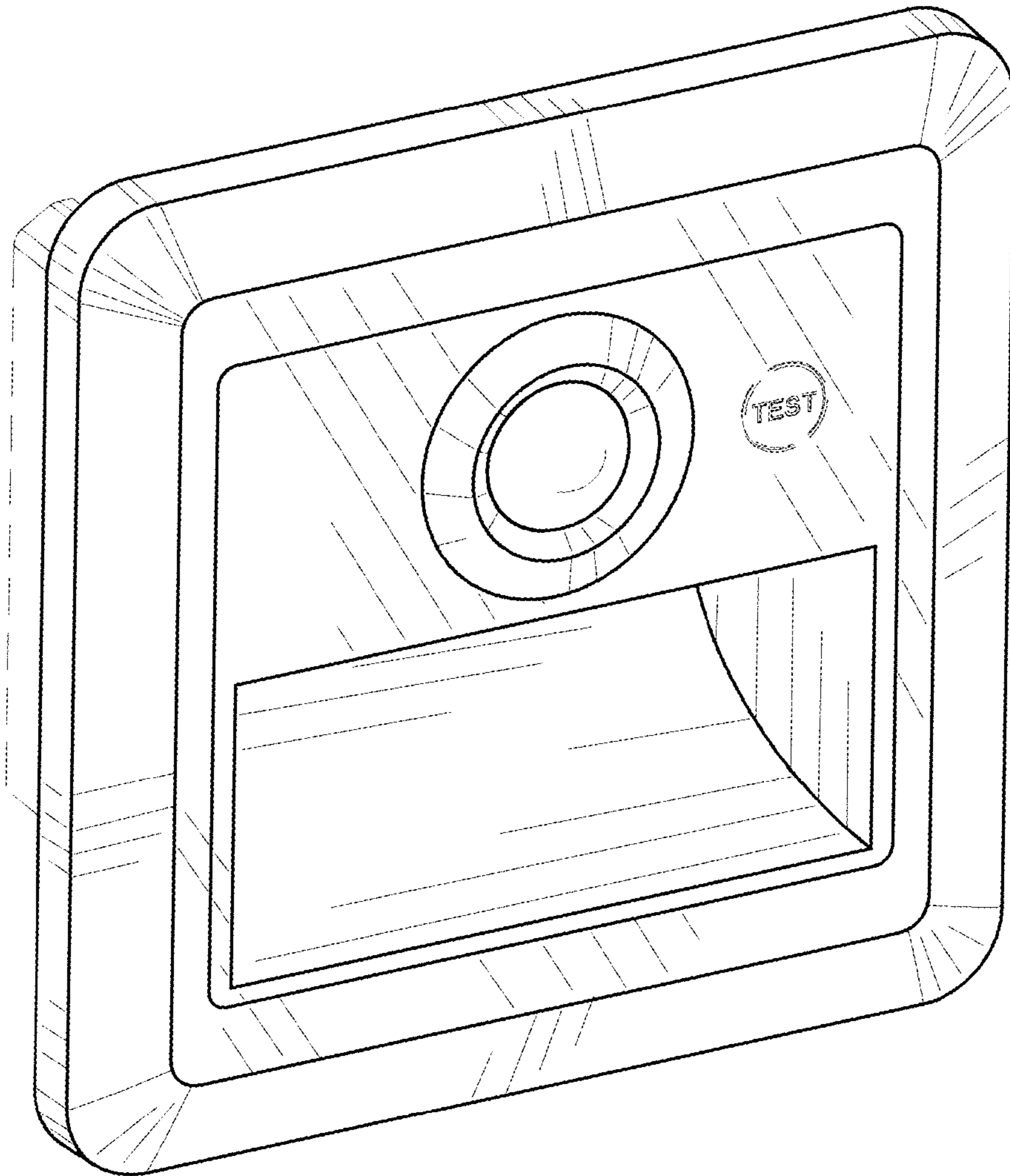


Fig. 1

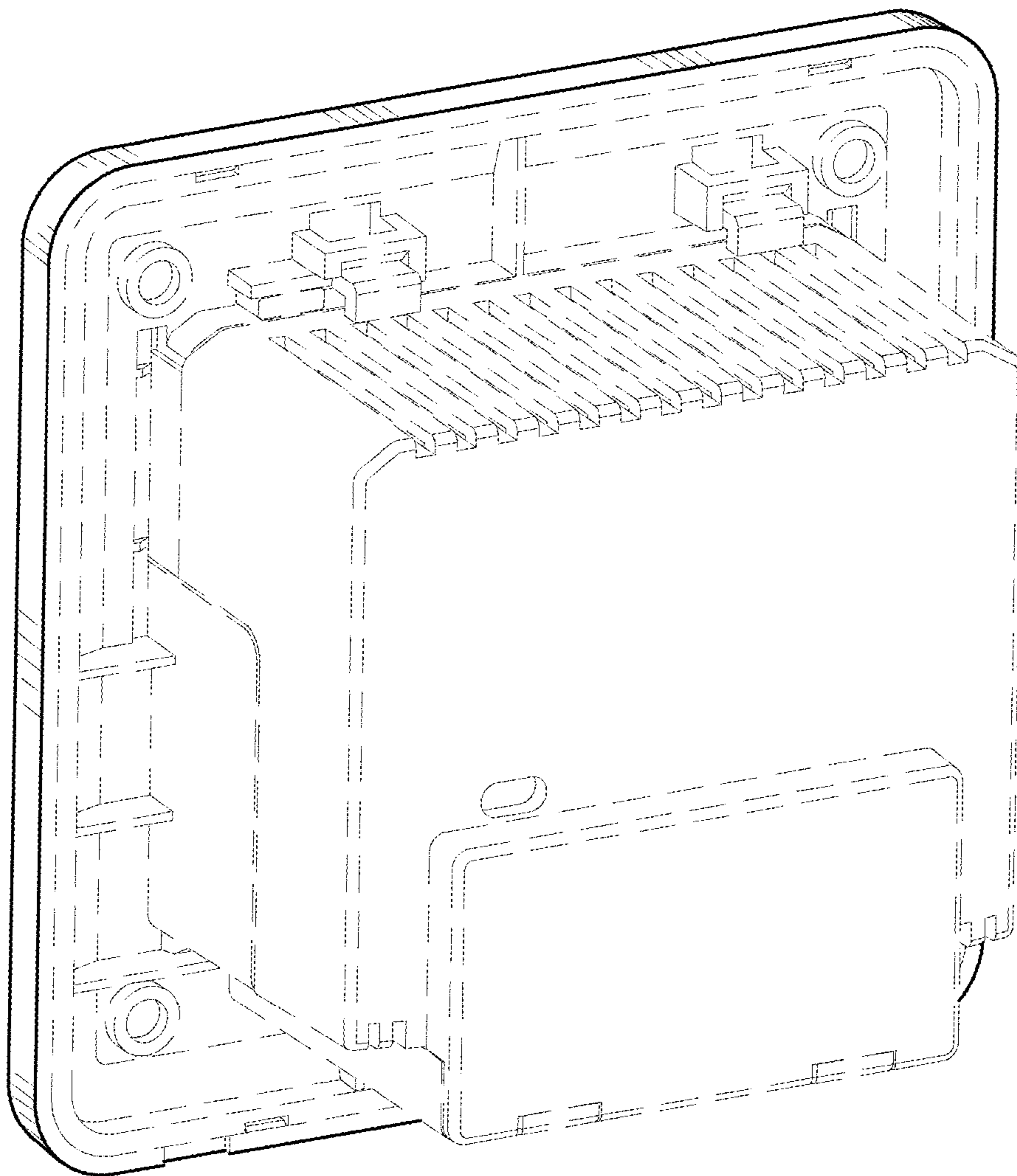


Fig.2

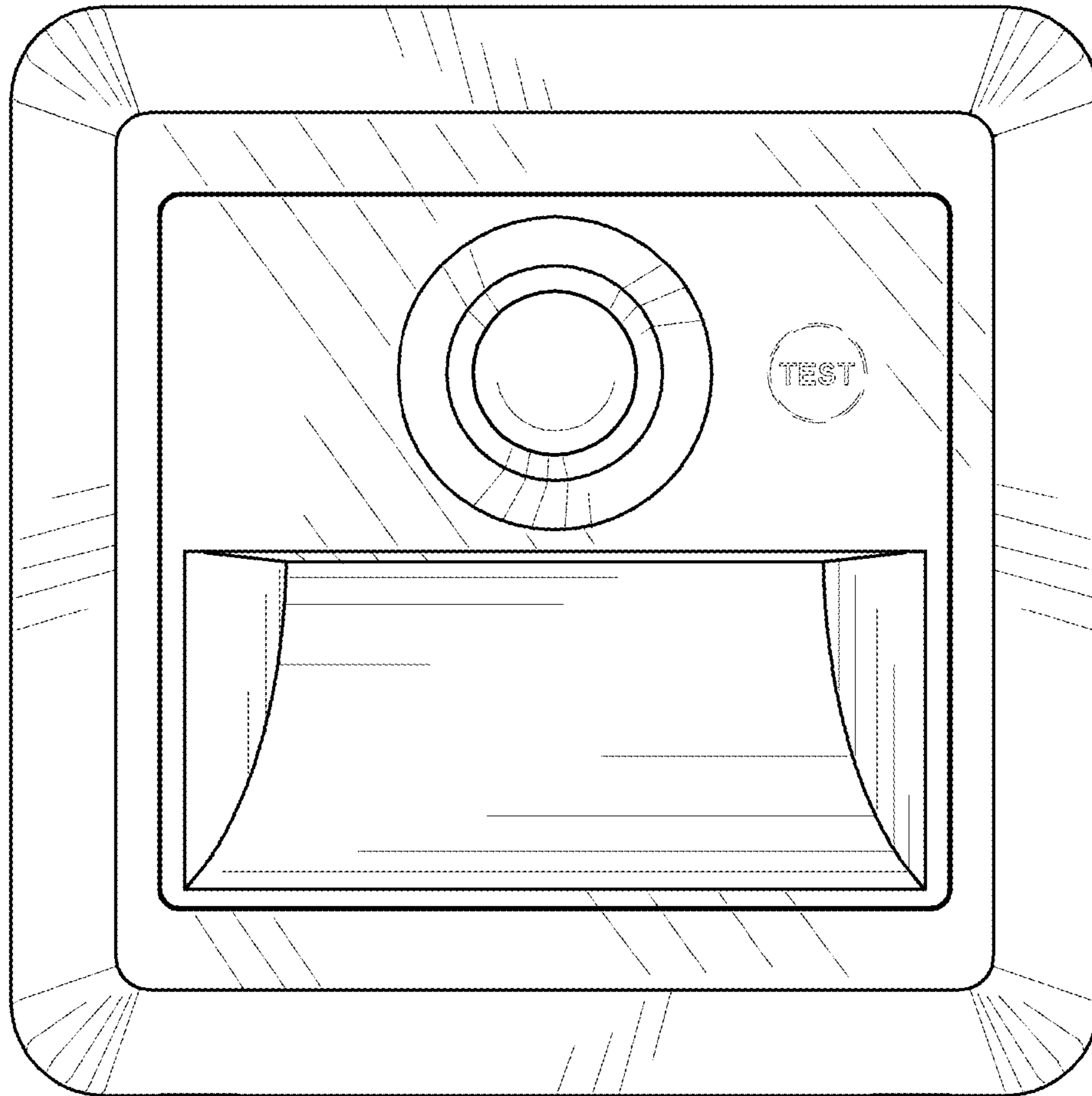


Fig.3

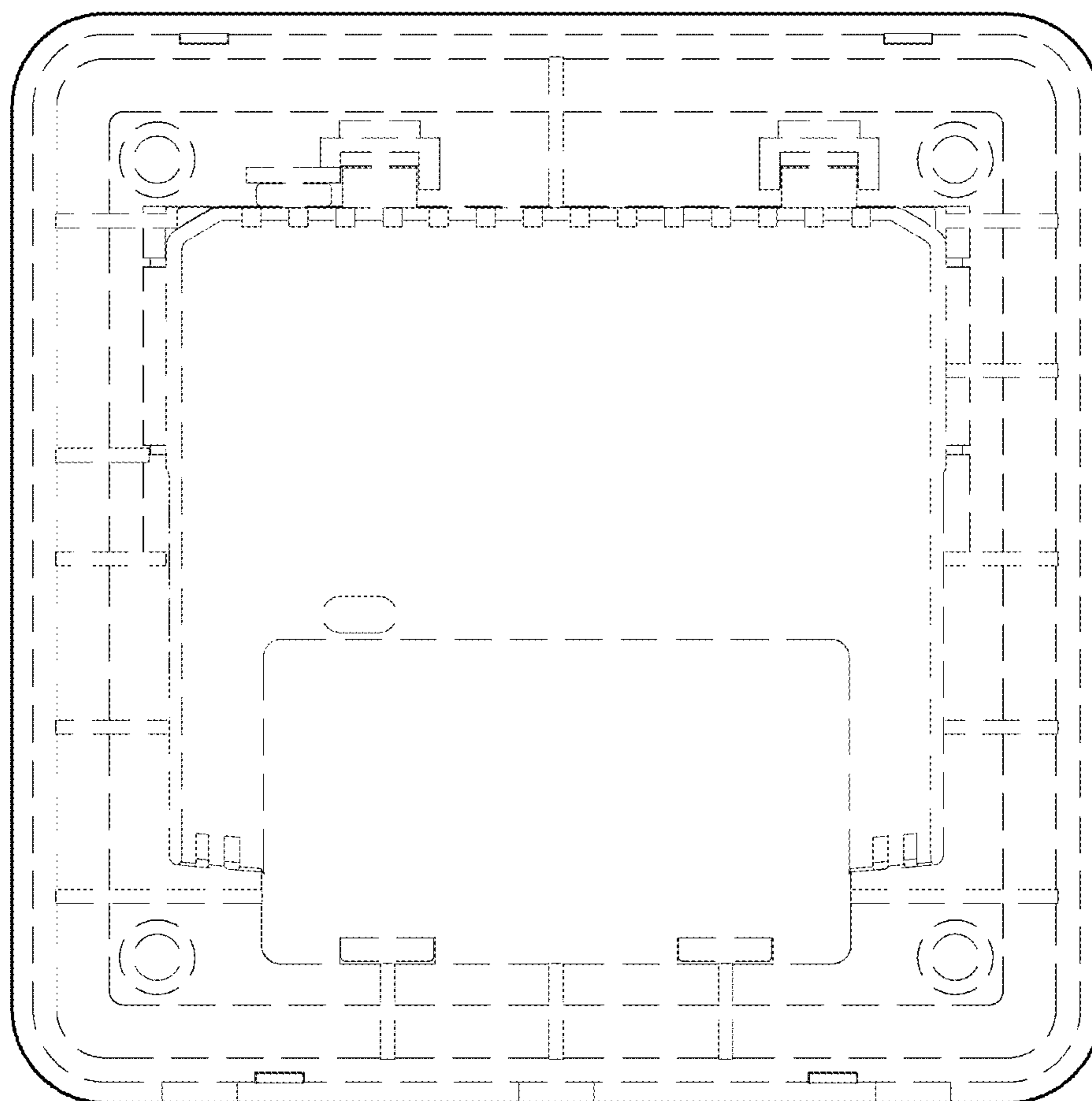


Fig.4

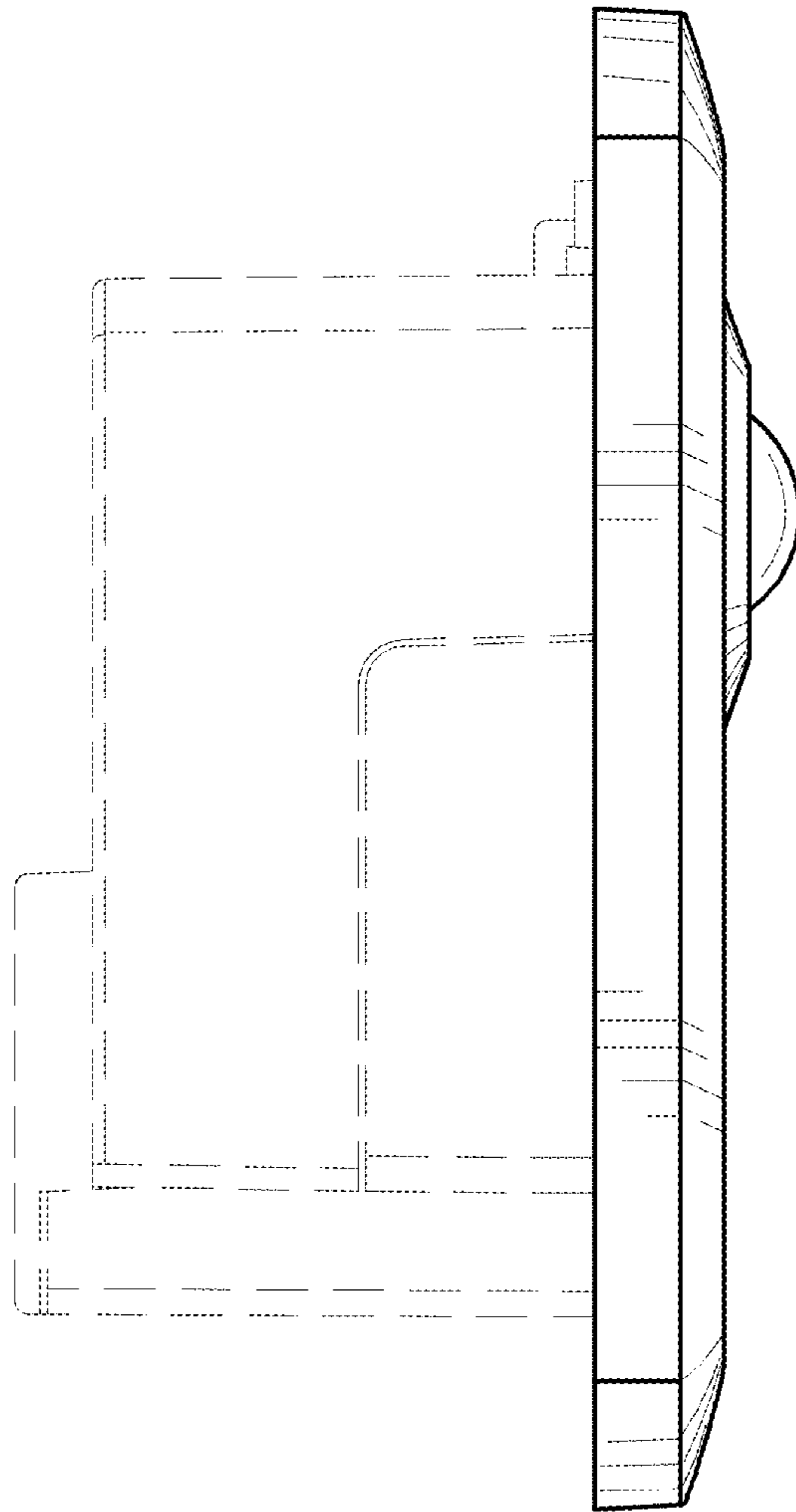


Fig.5

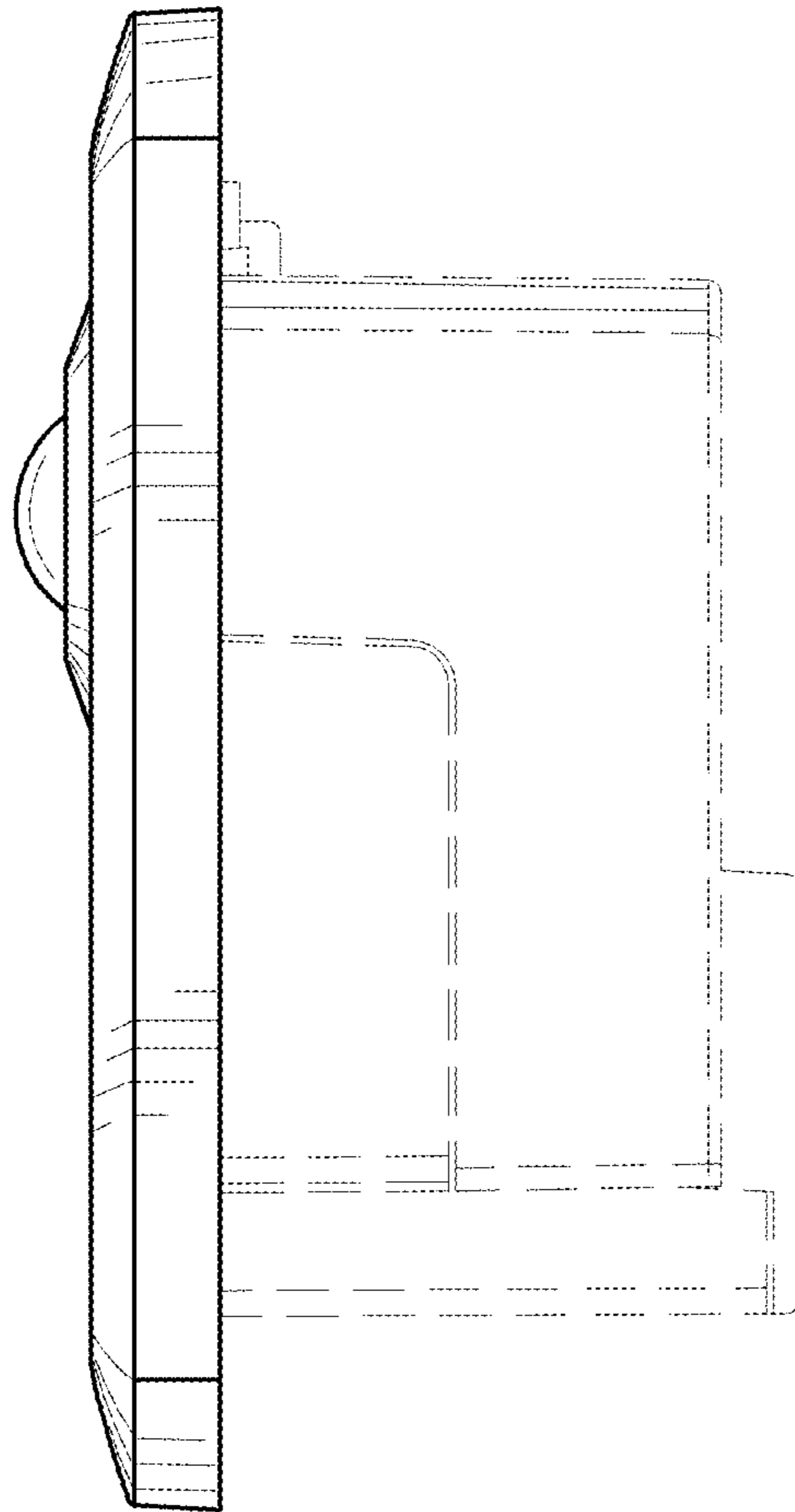


Fig.6

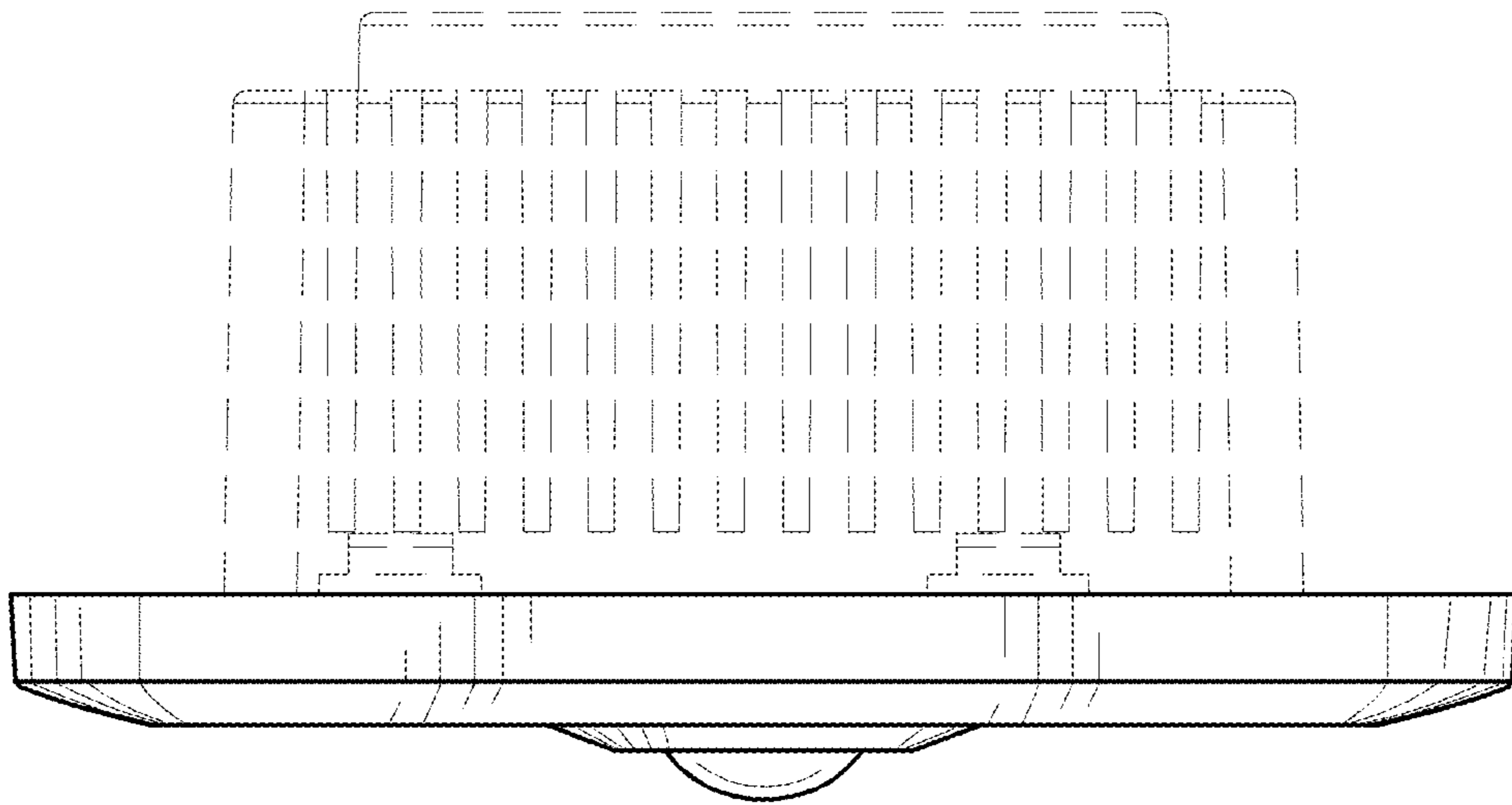


Fig. 7

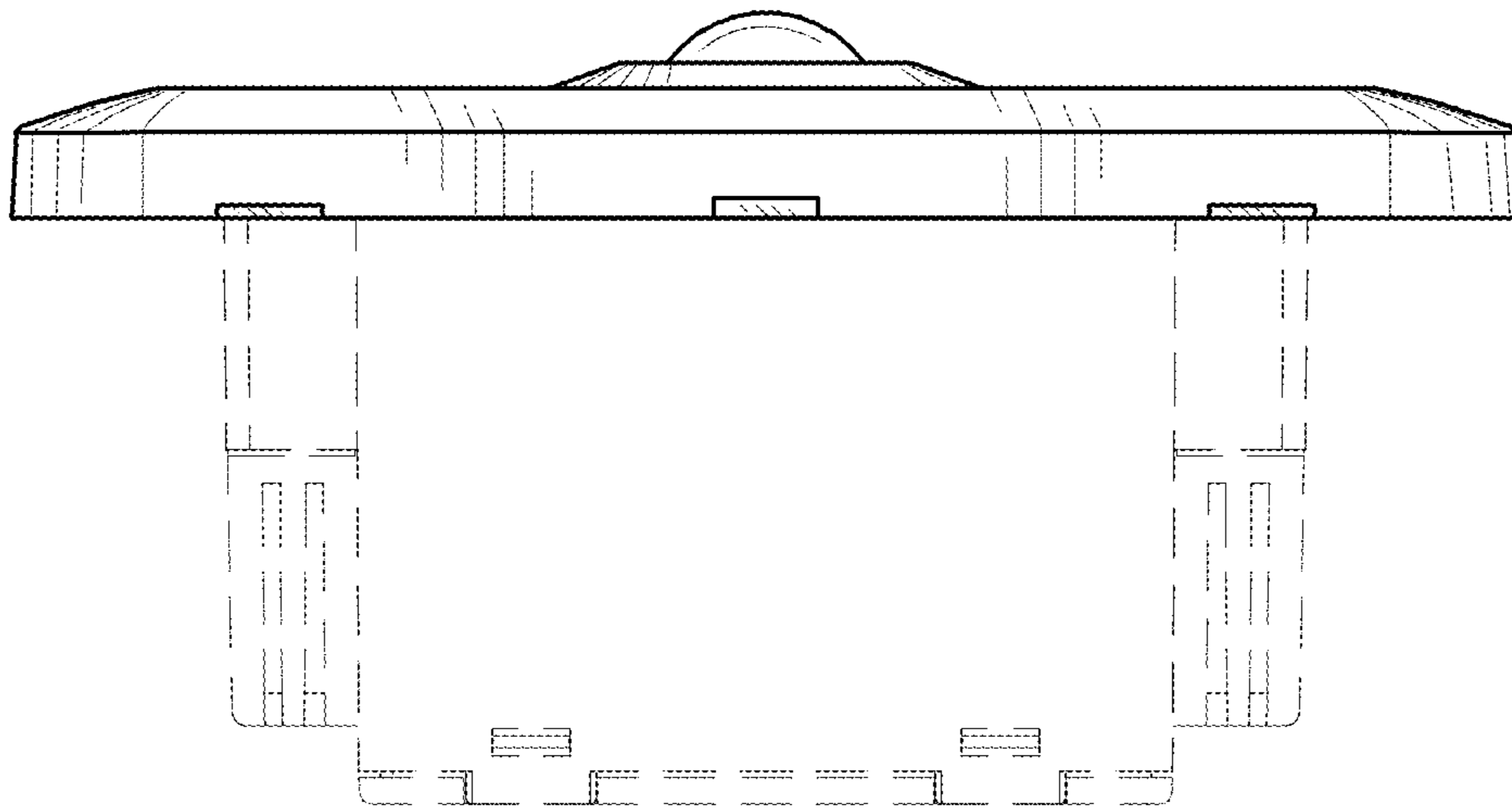


Fig.8