



US00D770658S

(12) **United States Design Patent** (10) **Patent No.:** **US D770,658 S**
Lazalier et al. (45) **Date of Patent:** **** Nov. 1, 2016**

(54) **FLOODLIGHT**

D375,572 S 11/1996 Sandell
D392,065 S 3/1998 Morrow et al.
D494,697 S 8/2004 Leen
D552,778 S 10/2007 Butler
D552,781 S 10/2007 Kosche et al.
D591,883 S 5/2009 Gill

(71) Applicant: **Hubbell Incorporated**, Shelton, CT
(US)

(72) Inventors: **Ray M. Lazalier**, Lake St. Louis, MO
(US); **Matthew R. Bednara**,
Collinsville, IL (US)

(Continued)

(73) Assignee: **Hubbell Incorporated**, Shelton, CT
(US)

FOREIGN PATENT DOCUMENTS

GB 2458345 A 9/2009

(**) Term: **15 Years**

OTHER PUBLICATIONS

(21) Appl. No.: **29/533,648**

Notice of Allowance from the United States Patent and Trademark Office for U.S. Appl. No. 29/448,900 dated Mar. 18, 2015 (6 pages).

(22) Filed: **Jul. 20, 2015**

Primary Examiner — Brian N Vinson

(74) *Attorney, Agent, or Firm* — Michael Best & Friedrich, LLP

Related U.S. Application Data

(63) Continuation of application No. 29/448,900, filed on Mar. 14, 2013, now Pat. No. Des. 734,886.

(51) **LOC (10) Cl.** **26-03**

(52) **U.S. Cl.**
USPC **D26/63**

(58) **Field of Classification Search**
USPC D26/1, 24, 61, 63, 65, 85, 92
CPC F21V 21/14; F21V 15/01; F21V 14/02;
F21V 21/30; F21V 21/00; F21V 14/00;
F21S 8/00; F21S 8/003; F21S 8/043; F21Y
2105/001

See application file for complete search history.

(57) **CLAIM**

We claim the ornamental design for a floodlight, as shown and described.

DESCRIPTION

FIG. 1 is a perspective view of a floodlight showing our new design.

FIG. 2 is a front view of the floodlight shown in FIG. 1.

FIG. 3 is a right side view of the floodlight shown in FIG. 1.

FIG. 4 is a left side view of the floodlight shown in FIG. 1.

FIG. 5 is a top view of the floodlight shown in FIG. 1; and,

FIG. 6 is a bottom view of the floodlight shown in FIG. 1.

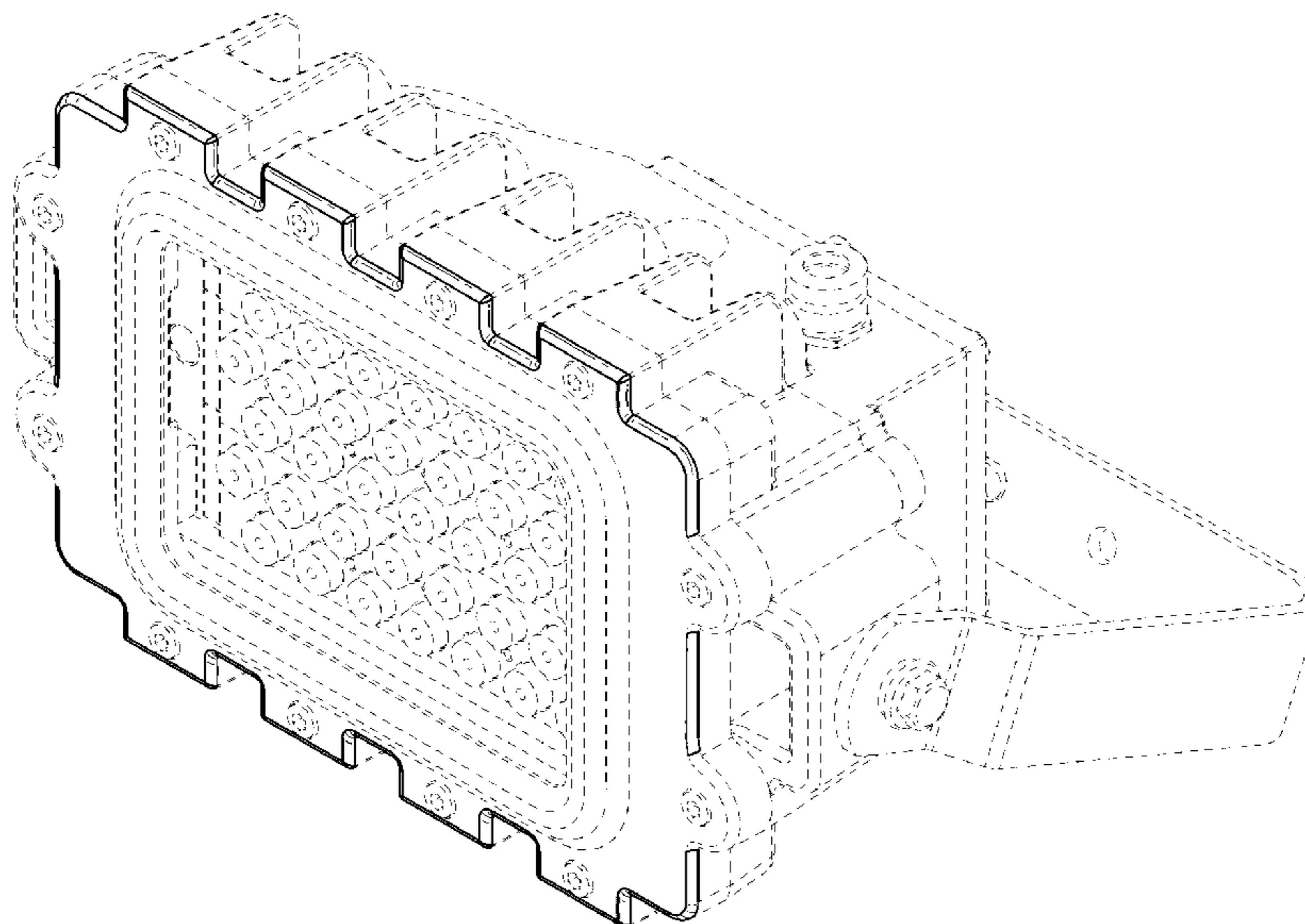
The back views form no part of the claimed design. The elements shown in broken lines are included for the purpose of illustrating environment and form no part of the claimed design.

(56) **References Cited**

U.S. PATENT DOCUMENTS

4,323,953 A 4/1982 Hutchison
D267,516 S 1/1983 Rambusch et al.
D291,925 S 9/1987 Dacanay
D345,025 S 3/1994 Tsao

1 Claim, 5 Drawing Sheets



(56)

References Cited

U.S. PATENT DOCUMENTS

D597,693 S 8/2009 Kauffman et al.
D603,077 S 10/2009 Kinnune et al.
D622,890 S 8/2010 Mo
D625,036 S 10/2010 Ying et al.
D625,437 S 10/2010 Zhang et al.
D643,147 S 8/2011 Guercio et al.
7,997,761 B2 8/2011 Peck et al.

D645,594 S * 9/2011 Grawe D26/63
D650,505 S * 12/2011 Oka D26/63
D659,280 S 5/2012 Guercio et al.
D659,867 S * 5/2012 Zhan D26/24
D672,908 S 12/2012 Wilcox et al.
D675,771 S 2/2013 Yamada
D695,435 S * 12/2013 Pedersen D26/63
D711,030 S * 8/2014 Zhan D26/65
D711,576 S * 8/2014 Zhan D26/63

* cited by examiner

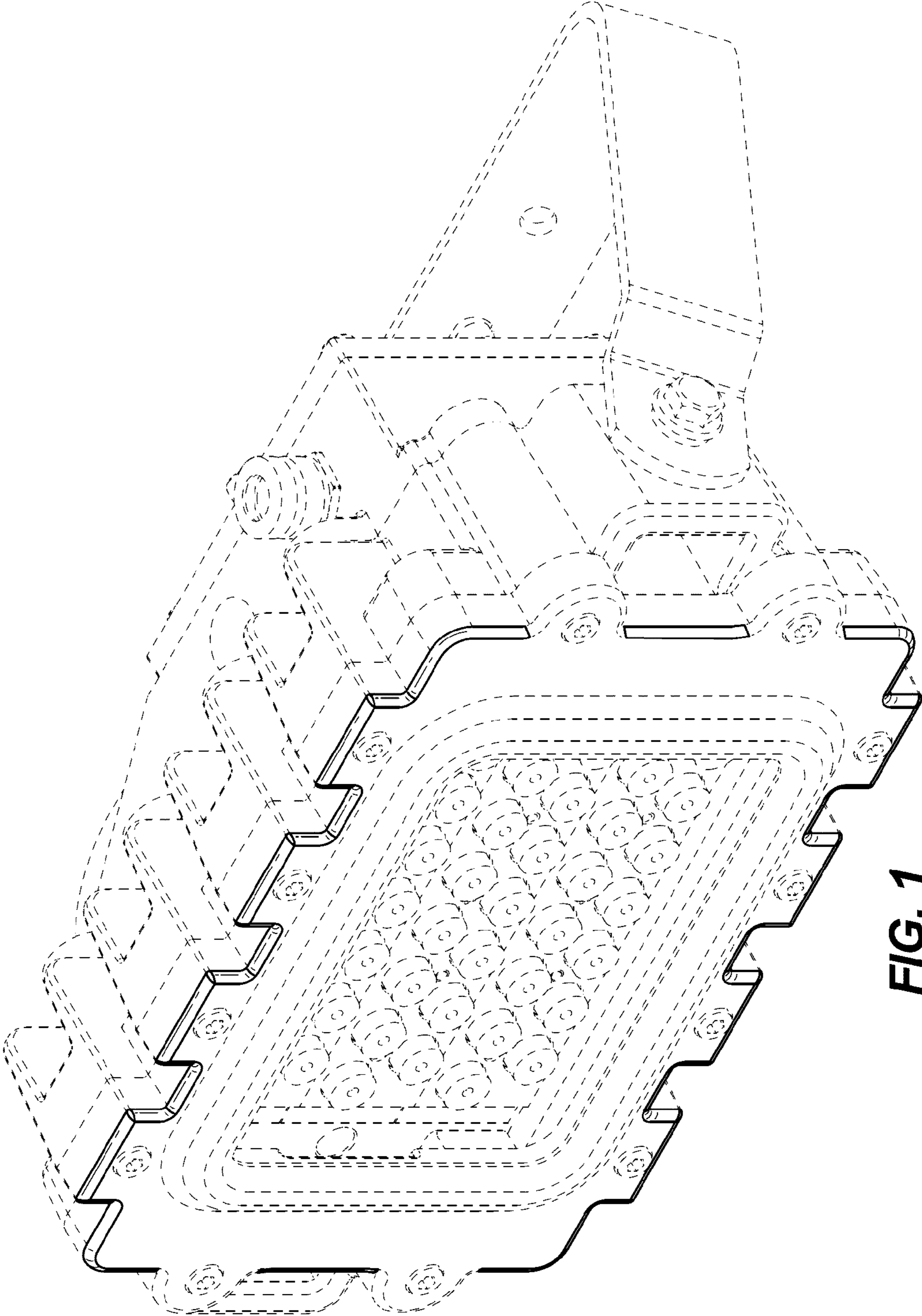


FIG. 1

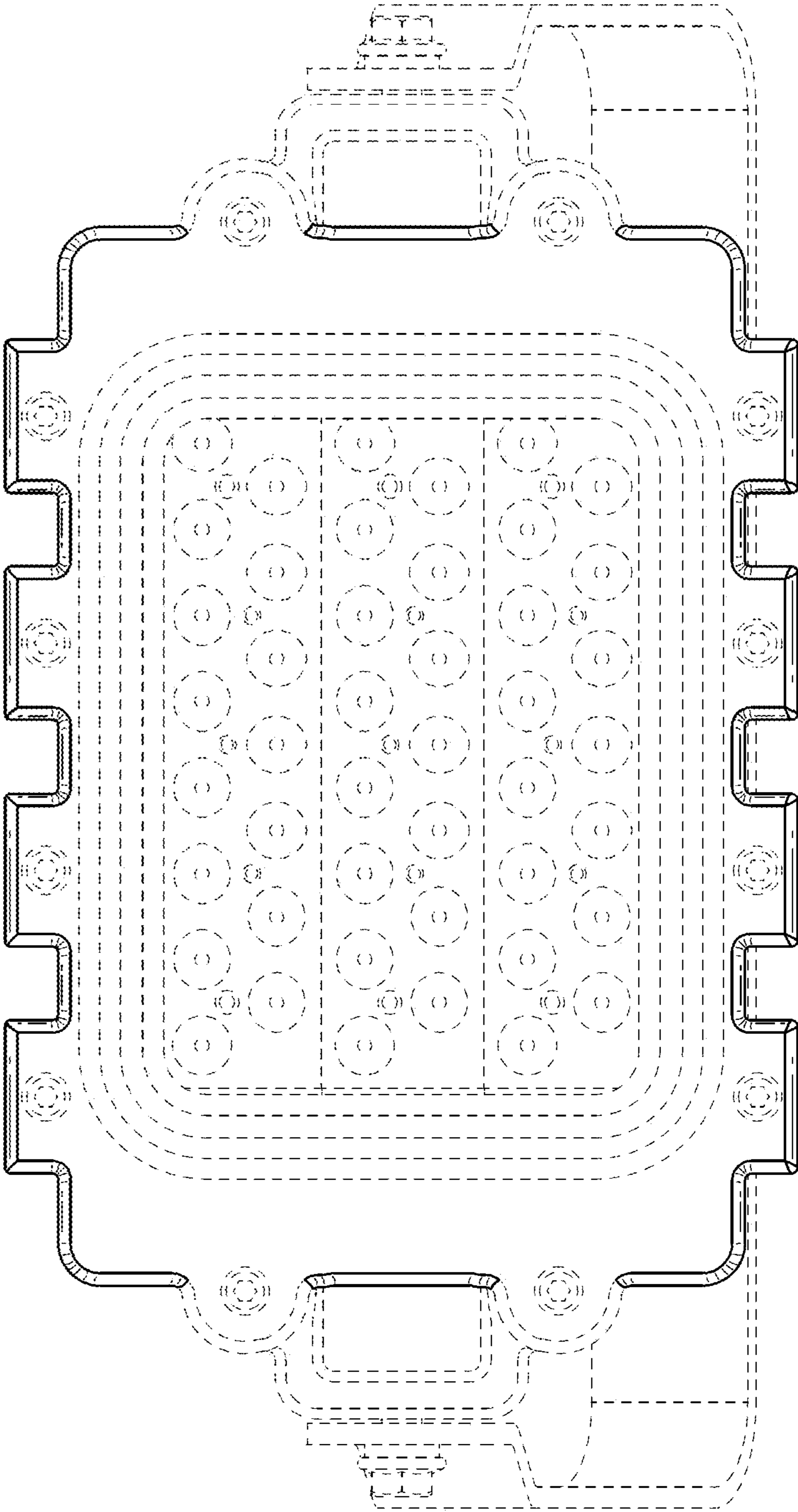


FIG. 2

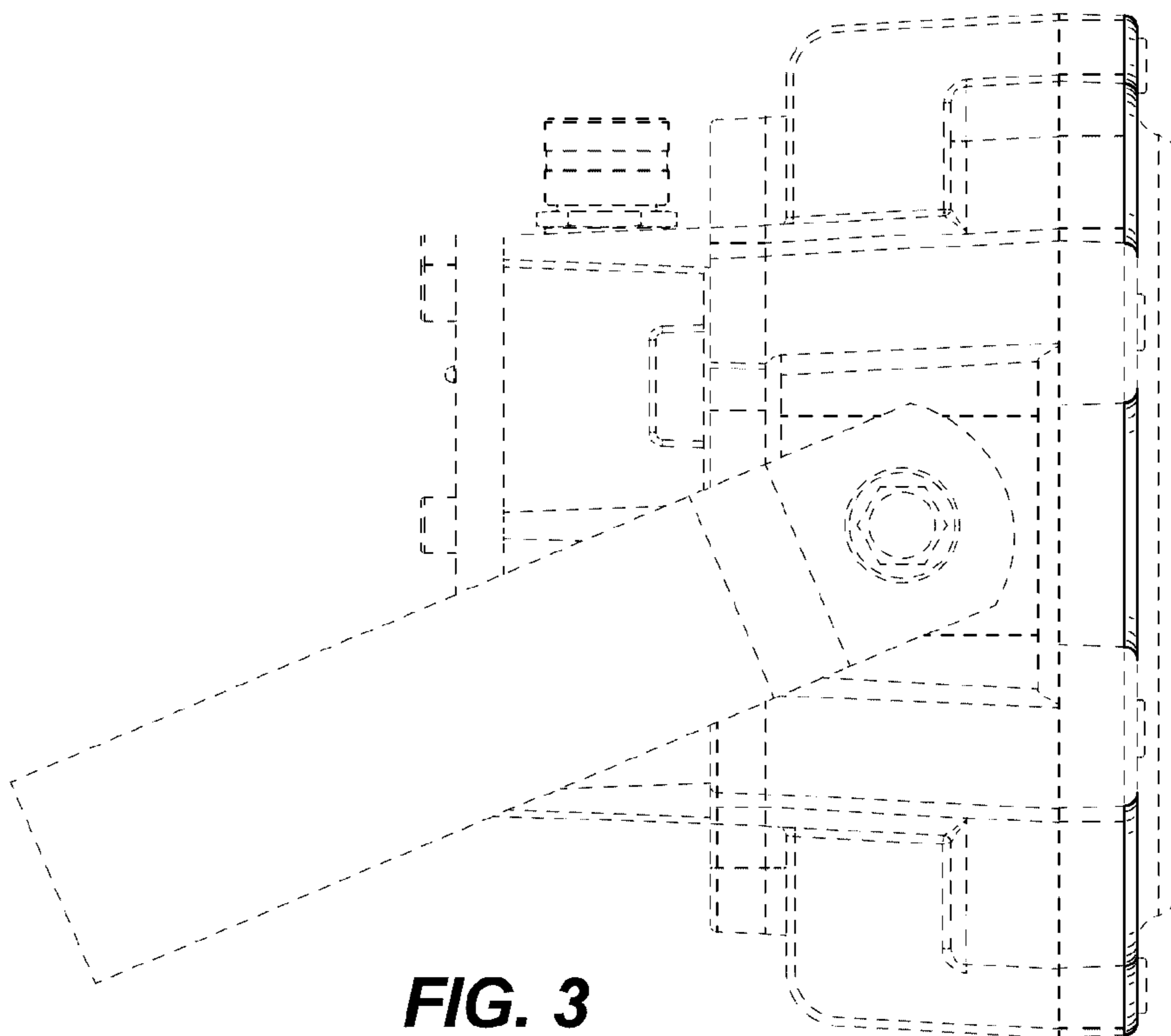


FIG. 3

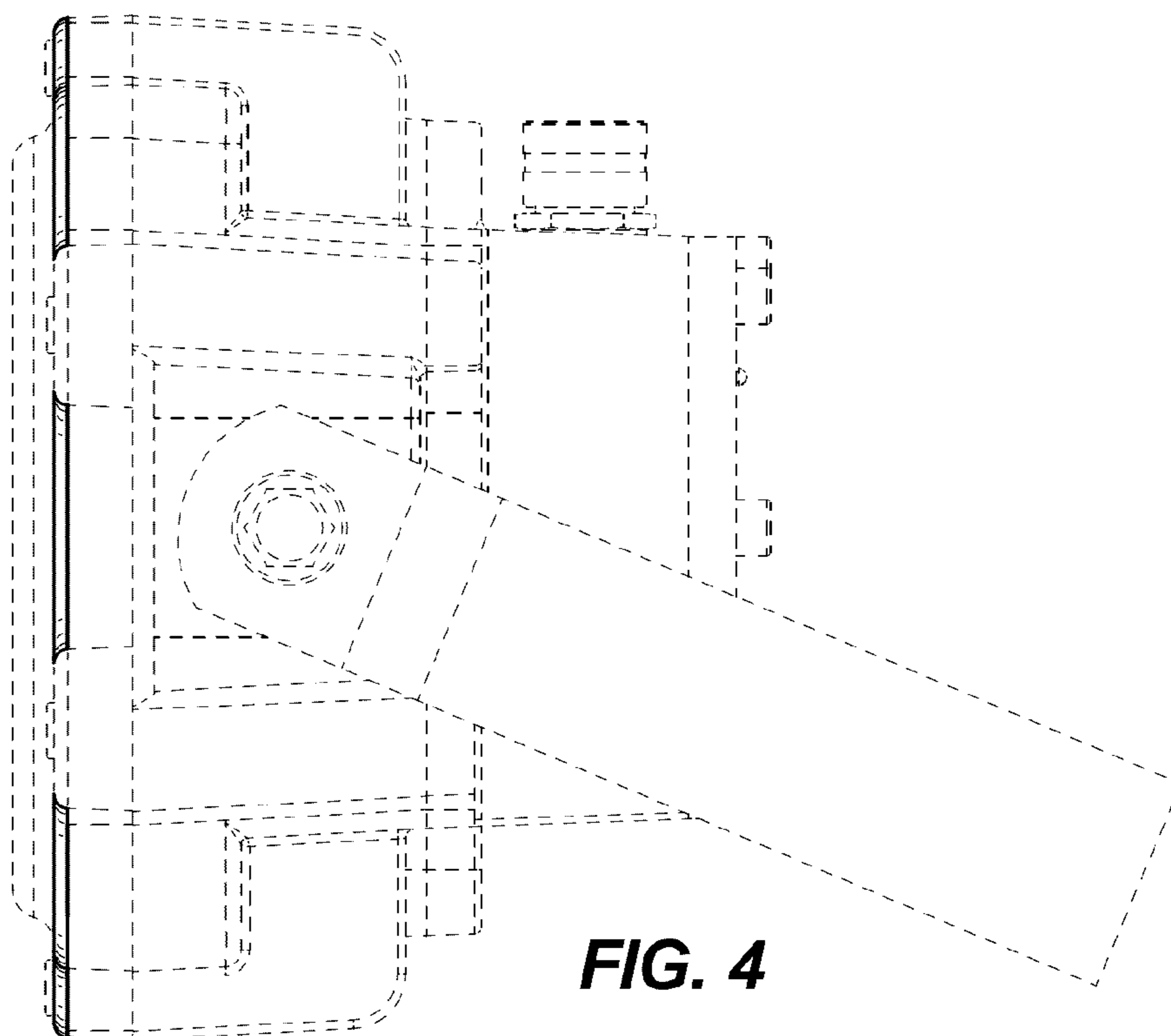


FIG. 4

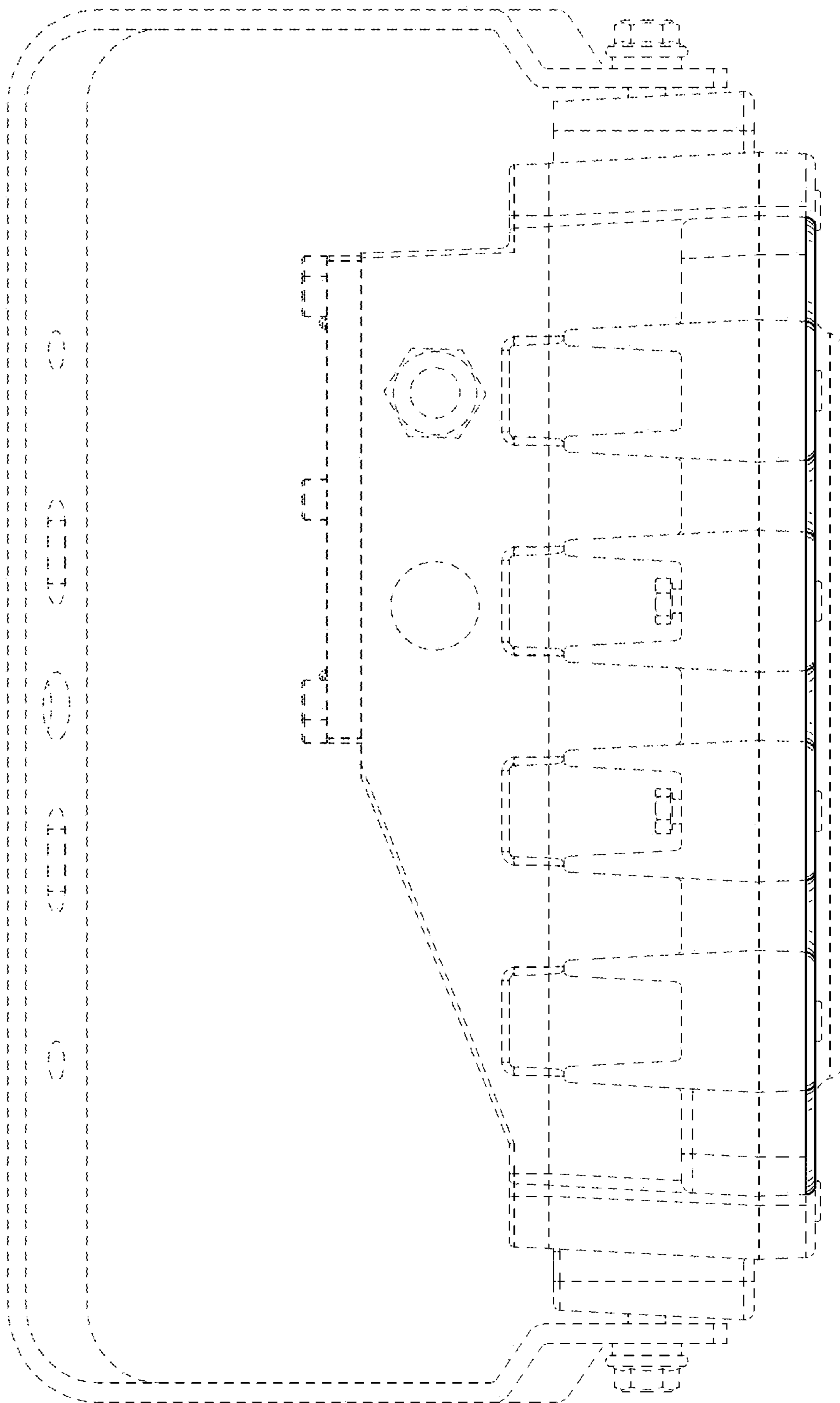


FIG. 5

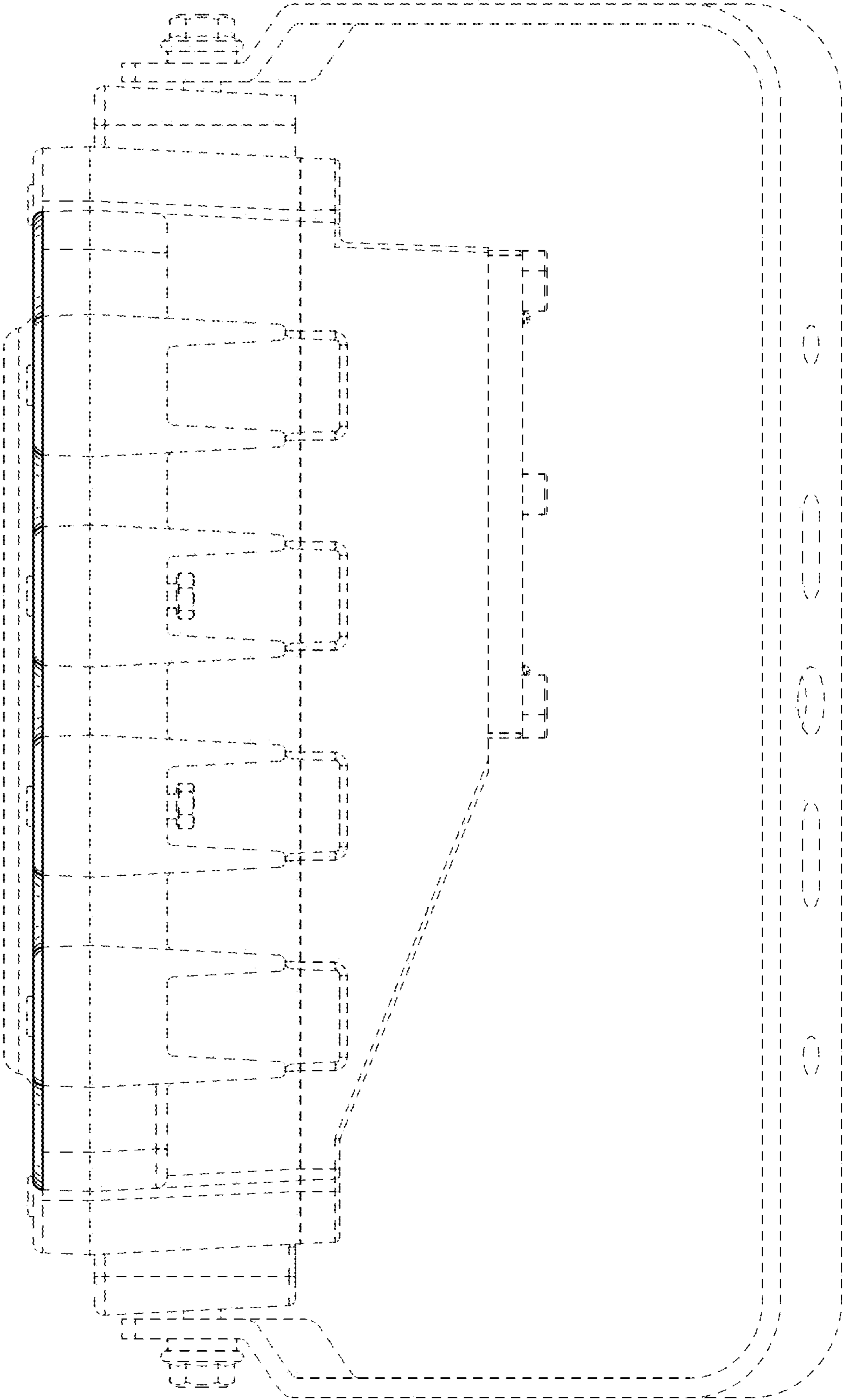


FIG. 6