



US00D770656S

(12) **United States Design Patent**
Quadri

(10) **Patent No.:** **US D770,656 S**

(45) **Date of Patent:** **** Nov. 1, 2016**

(54) **STAGE LIGHTING**

(71) Applicant: **CLAY PAKY S.p.A.**, Seriate (IT)

(72) Inventor: **Pasquale Quadri**, Torre De' Roveri (IT)

(73) Assignee: **CLAY PAKY S.P.A.**, Seriate (IT)

(**) Term: **14 Years**

(21) Appl. No.: **29/502,070**

(22) Filed: **Sep. 11, 2014**

(30) **Foreign Application Priority Data**

Mar. 12, 2014 (EM) 002423939

(51) **LOC (10) Cl.** **26-03**

(52) **U.S. Cl.**
USPC **D26/63**

(58) **Field of Classification Search**

USPC D26/1, 24, 61, 63, 65, 85, 92

CPC F21V 21/14; F21V 15/01; F21V 14/02;

F21V 21/30; F21V 21/00; F21V 14/00;

F21S 8/00; F21S 8/003; F21S 8/043; F21Y

2105/001

See application file for complete search history.

(56) **References Cited**

U.S. PATENT DOCUMENTS

D618,377 S * 6/2010 Toft D26/63

D639,983 S * 6/2011 Quadri D26/61

D694,926 S * 12/2013 Toft D26/63

D738,555 S * 9/2015 Kjaergaard D26/63

* cited by examiner

Primary Examiner — Brian N Vinson

(74) *Attorney, Agent, or Firm* — Leason Ellis LLP

(57) **CLAIM**

The ornamental design for stage lighting, as shown and described.

DESCRIPTION

FIG. 1 is a top and side perspective view of a stage lighting showing my new design;

FIG. 2 is a front elevation view thereof;

FIG. 3 is a right side elevation view thereof;

FIG. 4 is left side elevation view thereof;

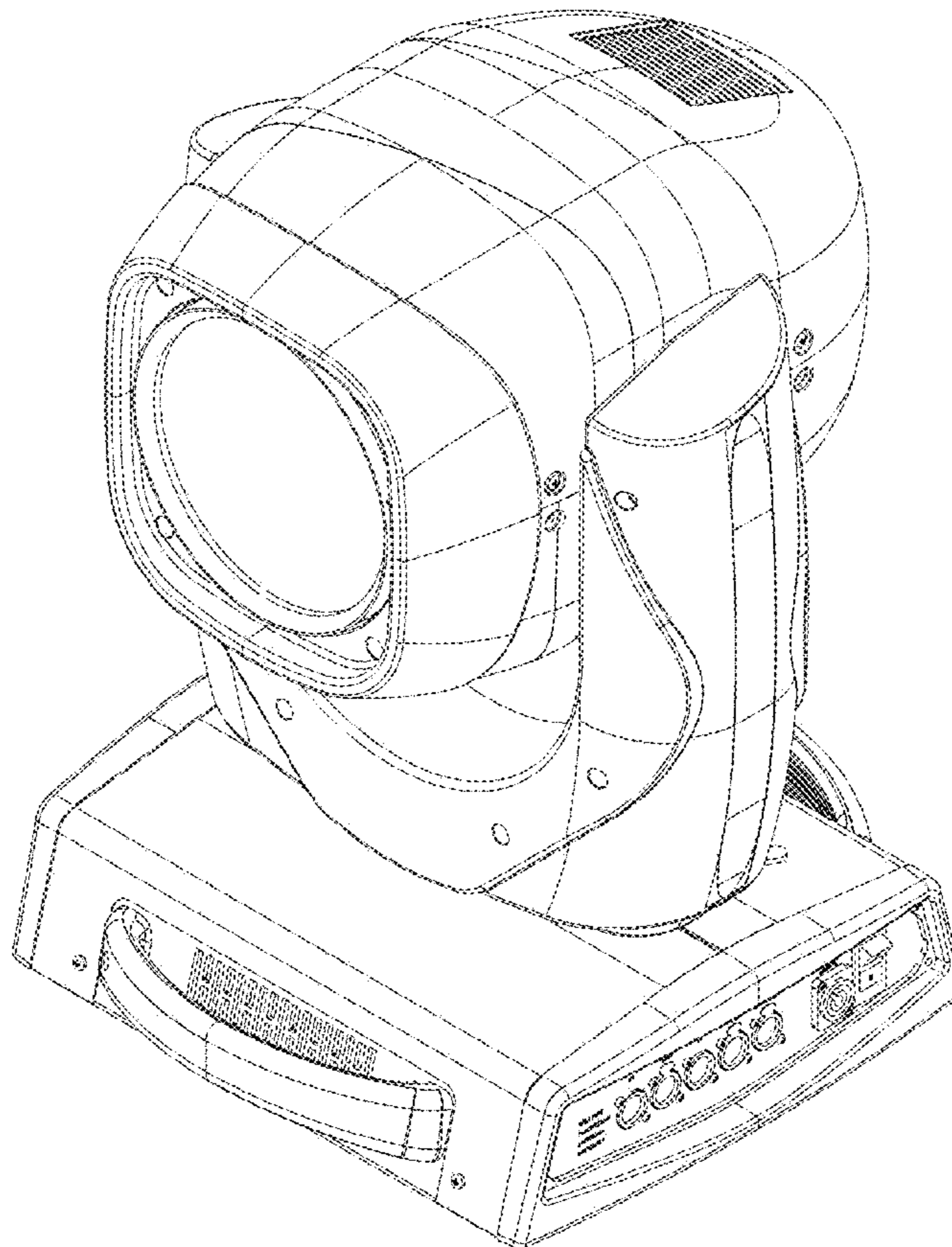
FIG. 5 is a rear elevation view thereof;

FIG. 6 is a top plan view thereof; and,

FIG. 7 is a bottom plan view thereof.

The broken line disclosure represents portions of the stage lighting which form no part of the claimed design.

1 Claim, 7 Drawing Sheets



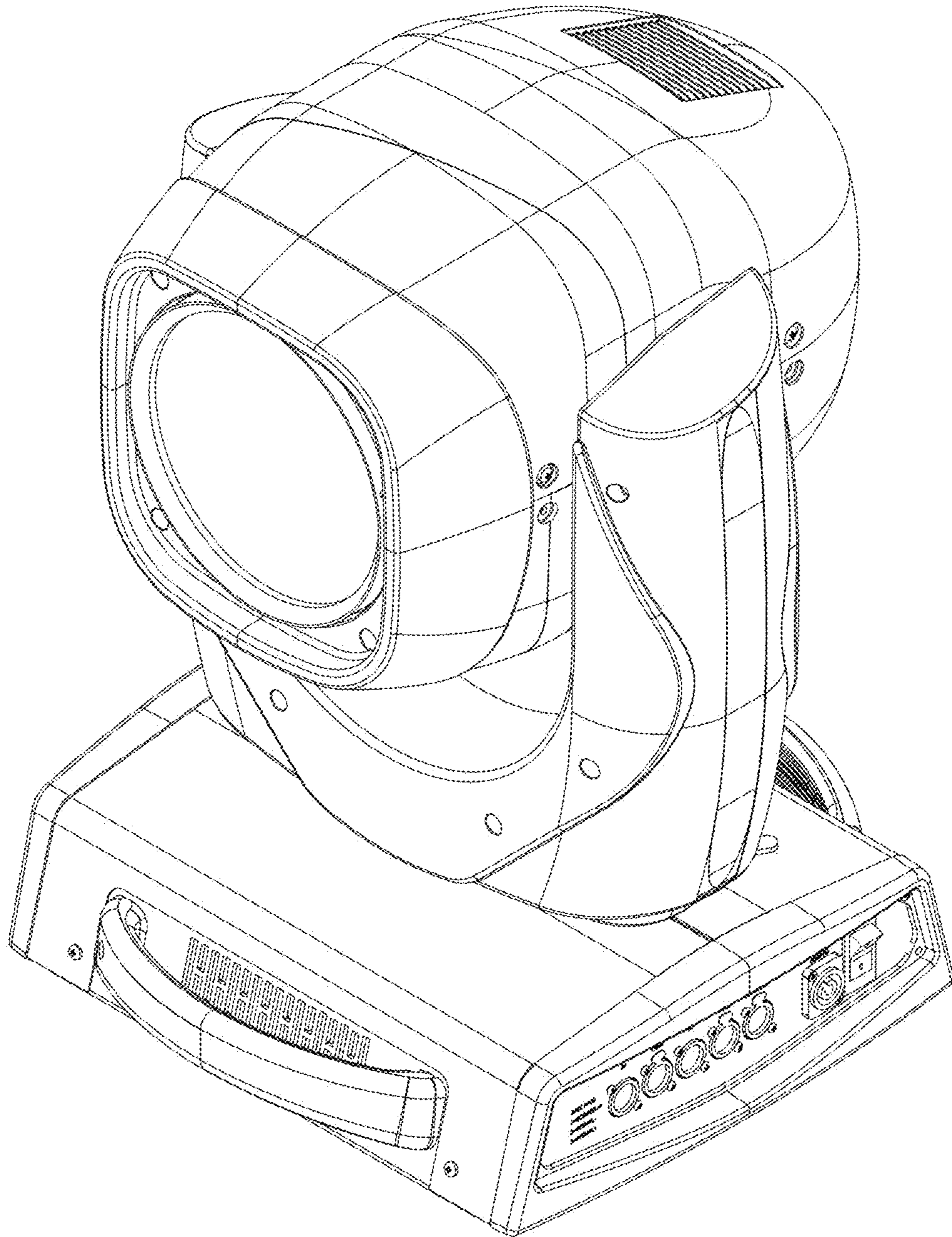


Fig. 1

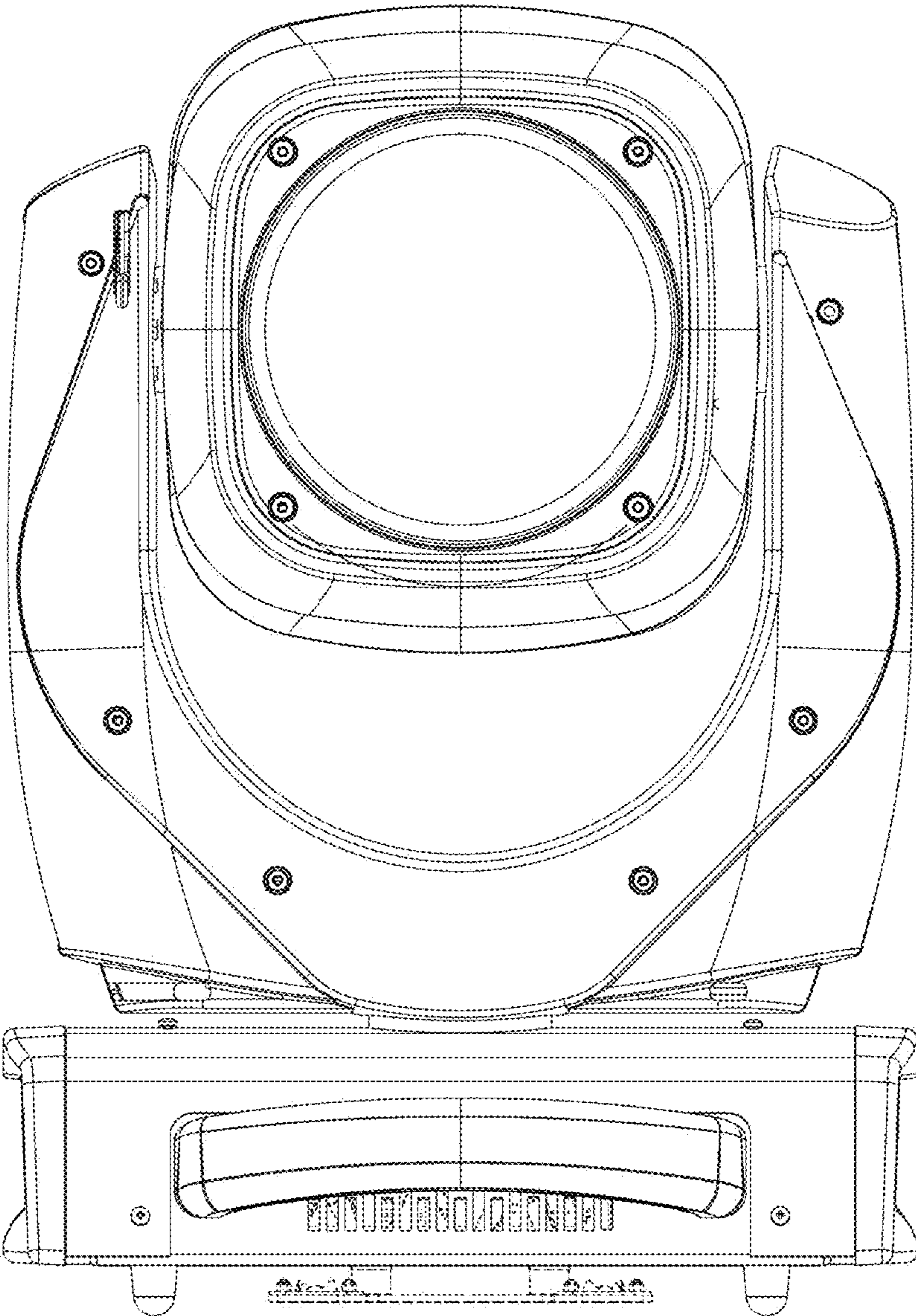


Fig. 2

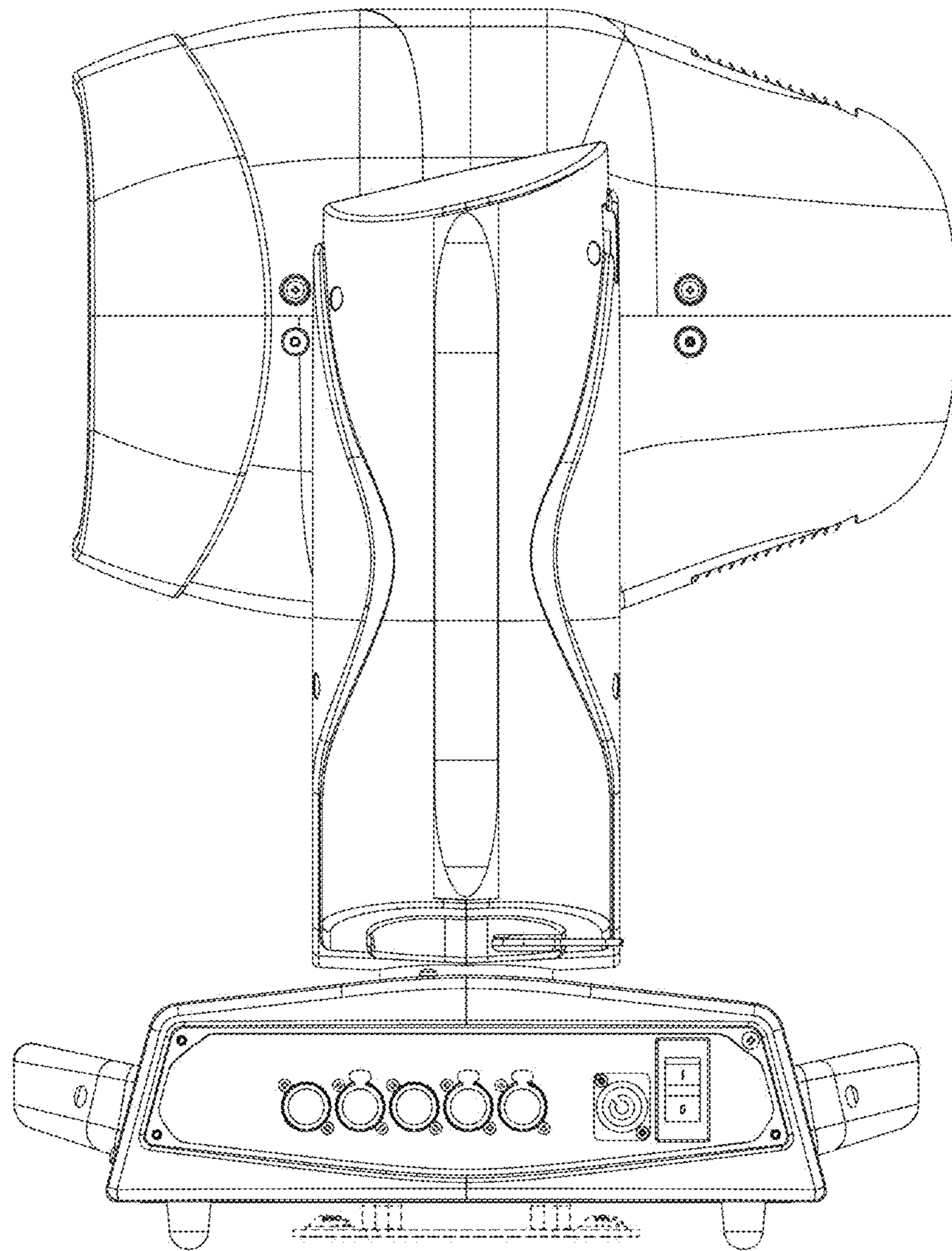


Fig. 3

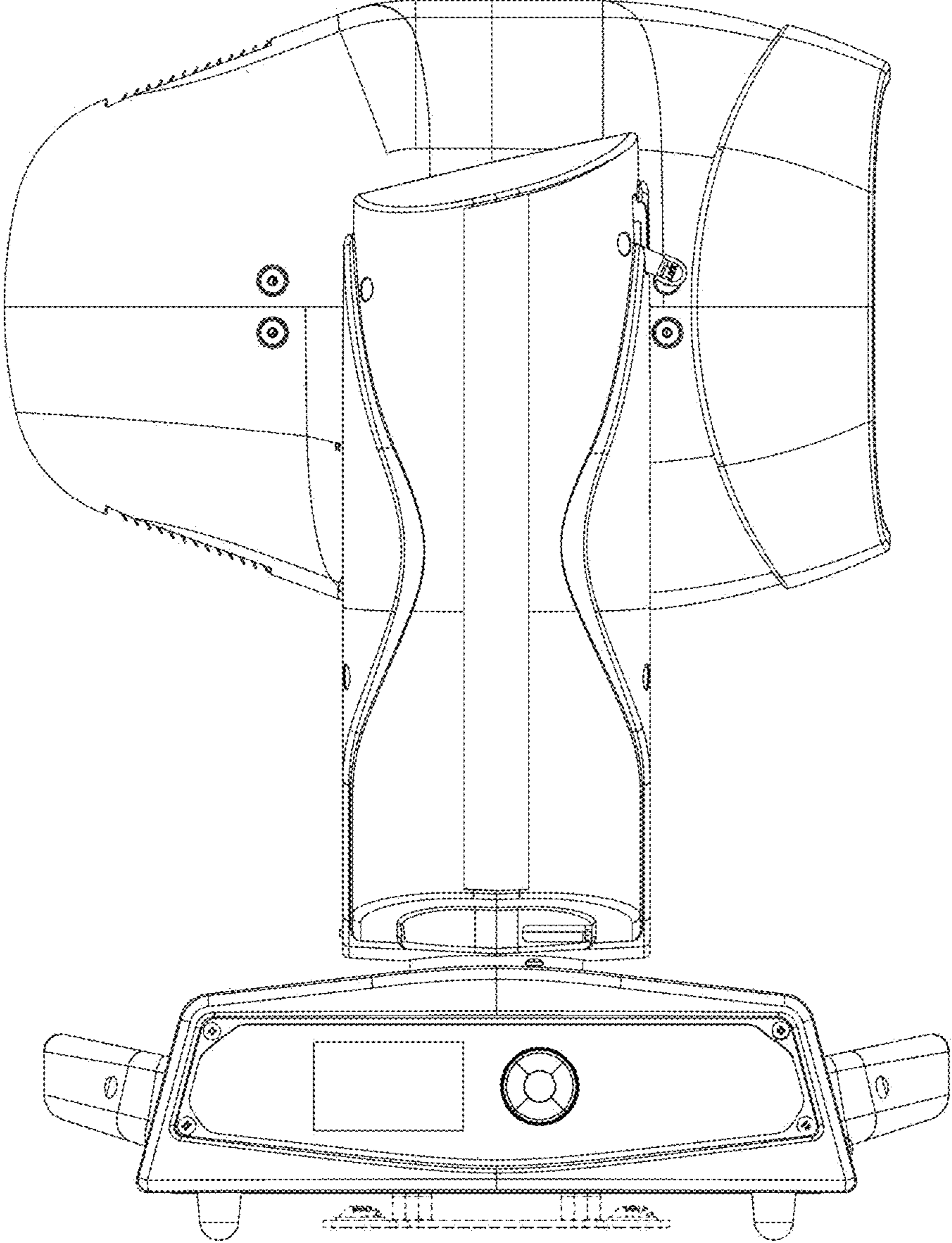


Fig. 4

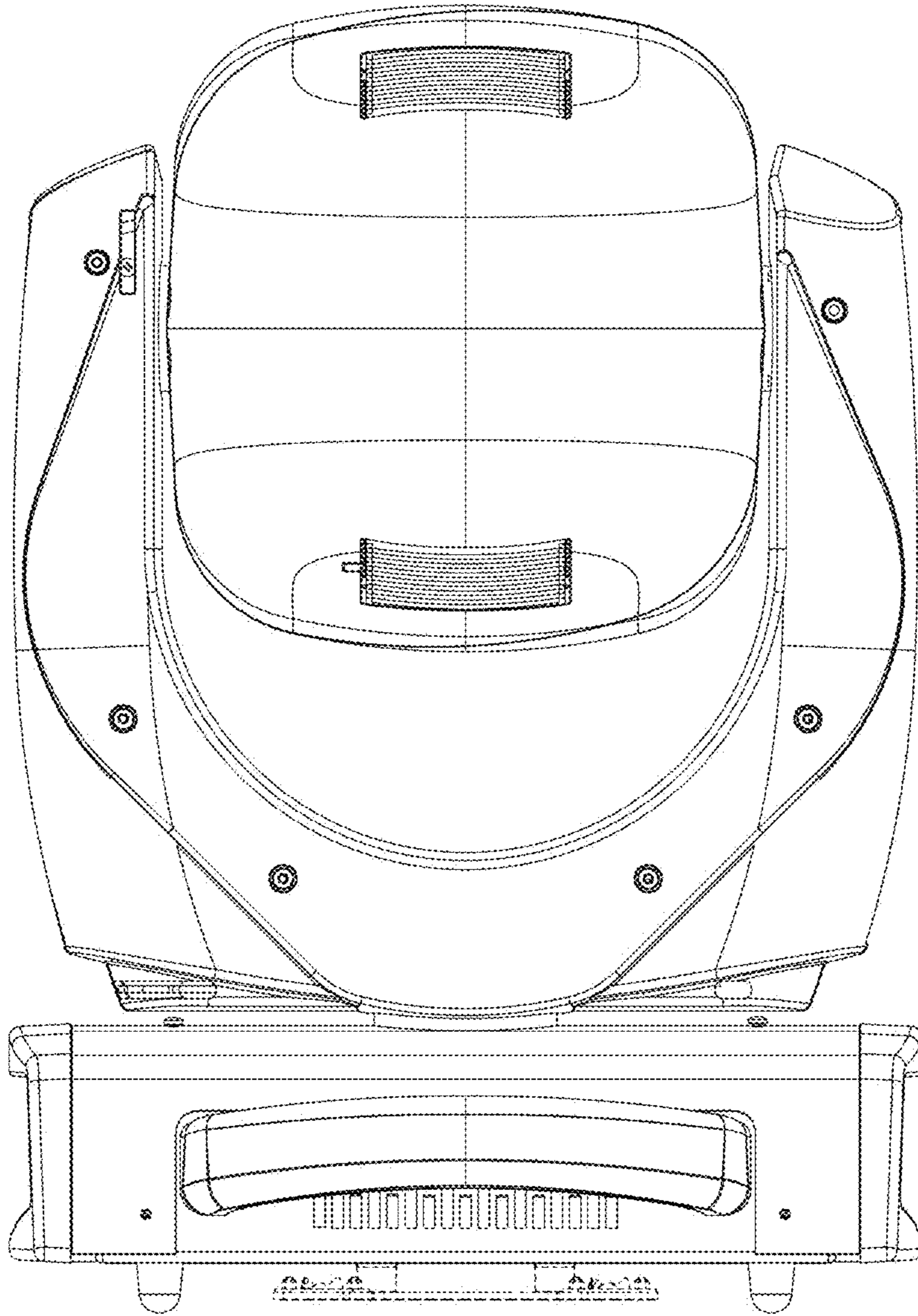


Fig. 5

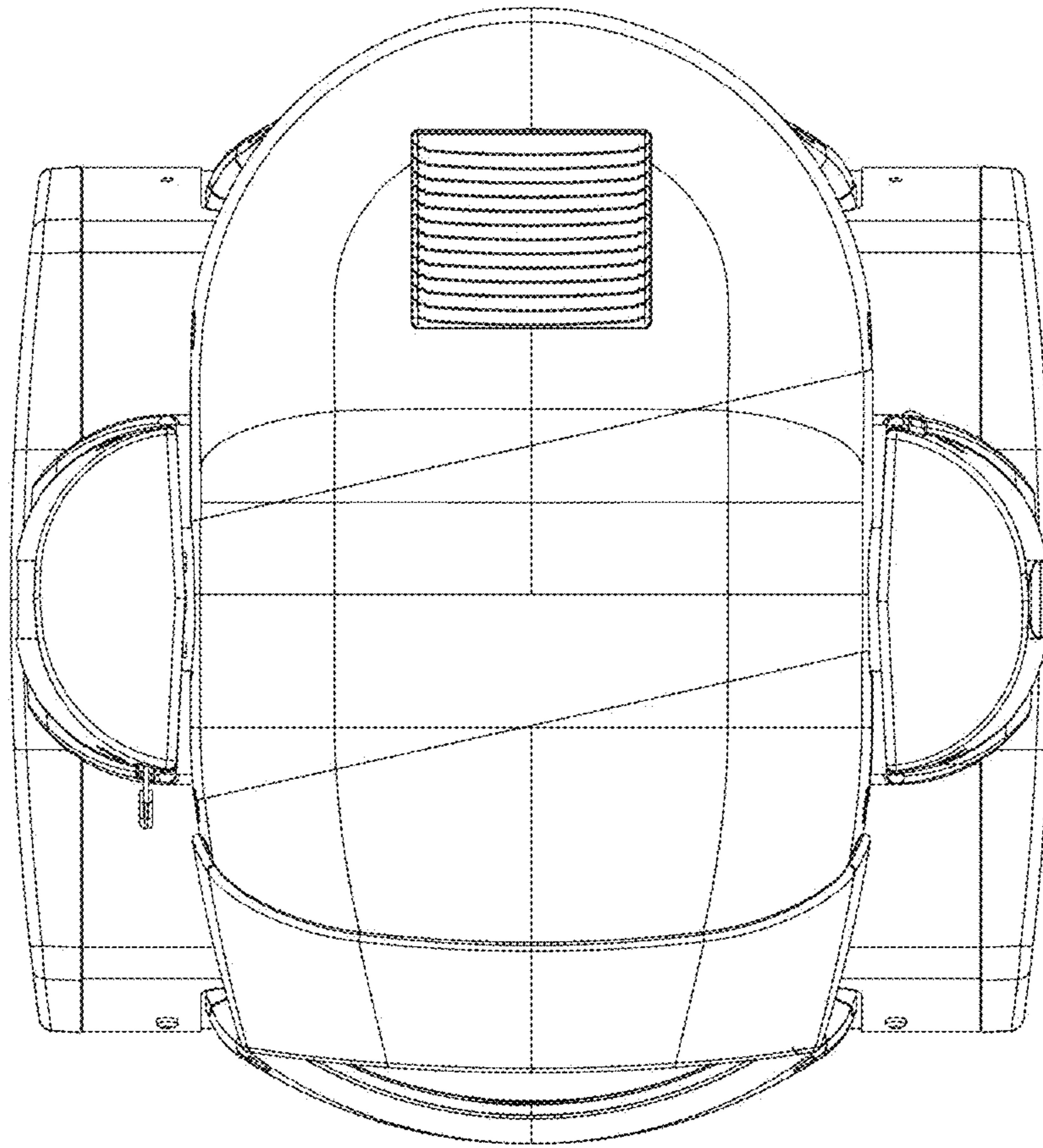


Fig. 6

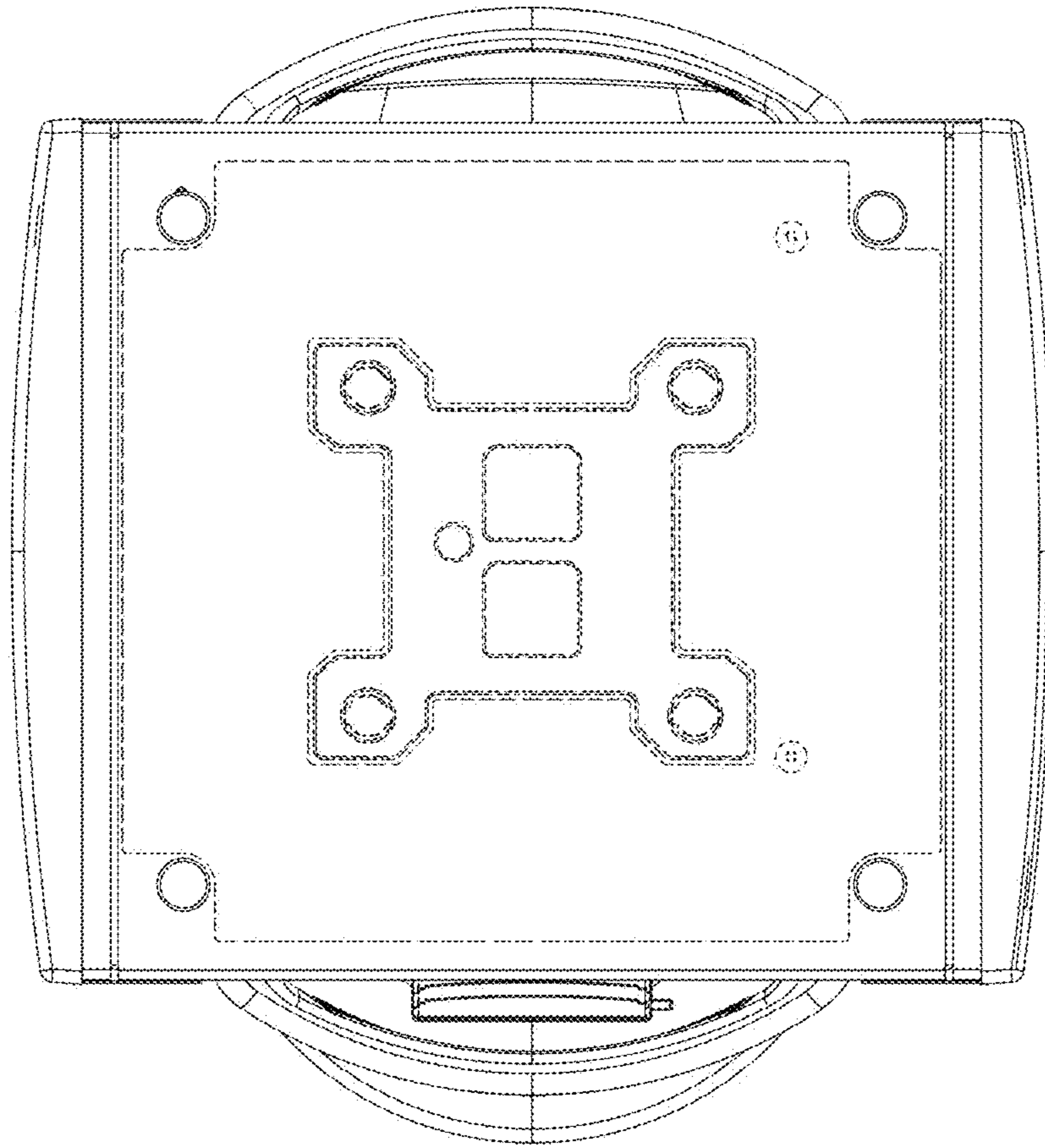


Fig. 7