



US00D770655S

(12) **United States Design Patent** (10) **Patent No.:** **US D770,655 S**
Leanza (45) **Date of Patent:** **** Nov. 1, 2016**

(54) **ILLUMINATED STORAGE BOX WITH LIGHT-EMITTING DIODES**

(71) Applicant: **Anthony S. Leanza**, Olmsted Township, OH (US)

(72) Inventor: **Anthony S. Leanza**, Olmsted Township, OH (US)

(**) Term: **14 Years**

(21) Appl. No.: **29/476,106**

(22) Filed: **Dec. 11, 2013**

(51) **LOC (10) Cl.** **26-01**

(52) **U.S. Cl.**
USPC **D26/51**

(58) **Field of Classification Search**
USPC D26/37, 38, 40, 51; 362/157, 158, 184, 362/183, 194–196, 200–208, 253, 98; D19/91; D6/700, 701, 300, 553
CPC F21V 33/00; F21V 14/025; F21V 21/406; F21Y 2101/02; F21L 17/00; F21L 13/08
See application file for complete search history.

(56) **References Cited**

U.S. PATENT DOCUMENTS

3,118,615	A *	1/1964	James et al.	362/190
3,808,415	A *	4/1974	Hurst	362/604
D256,375	S *	8/1980	Llanos	D19/75
D321,865	S *	11/1991	Derocher	D14/345
D498,554	S *	11/2004	Agresto, Sr.	D26/51
D582,590	S *	12/2008	Ding et al.	D26/37
D603,986	S *	11/2009	Kuo	D26/37
D612,081	S *	3/2010	Ding et al.	D26/37
7,950,819	B2 *	5/2011	Wells	362/157

D645,179	S *	9/2011	Gulker	D26/37
8,540,388	B1 *	9/2013	Chen	362/98
D698,471	S *	1/2014	Poon	D26/37
2006/0187655	A1 *	8/2006	Bryerman et al.	362/154
2006/0232953	A1 *	10/2006	Sanders	362/98

* cited by examiner

Primary Examiner — Ian Simmons
Assistant Examiner — Carissa C Fitts

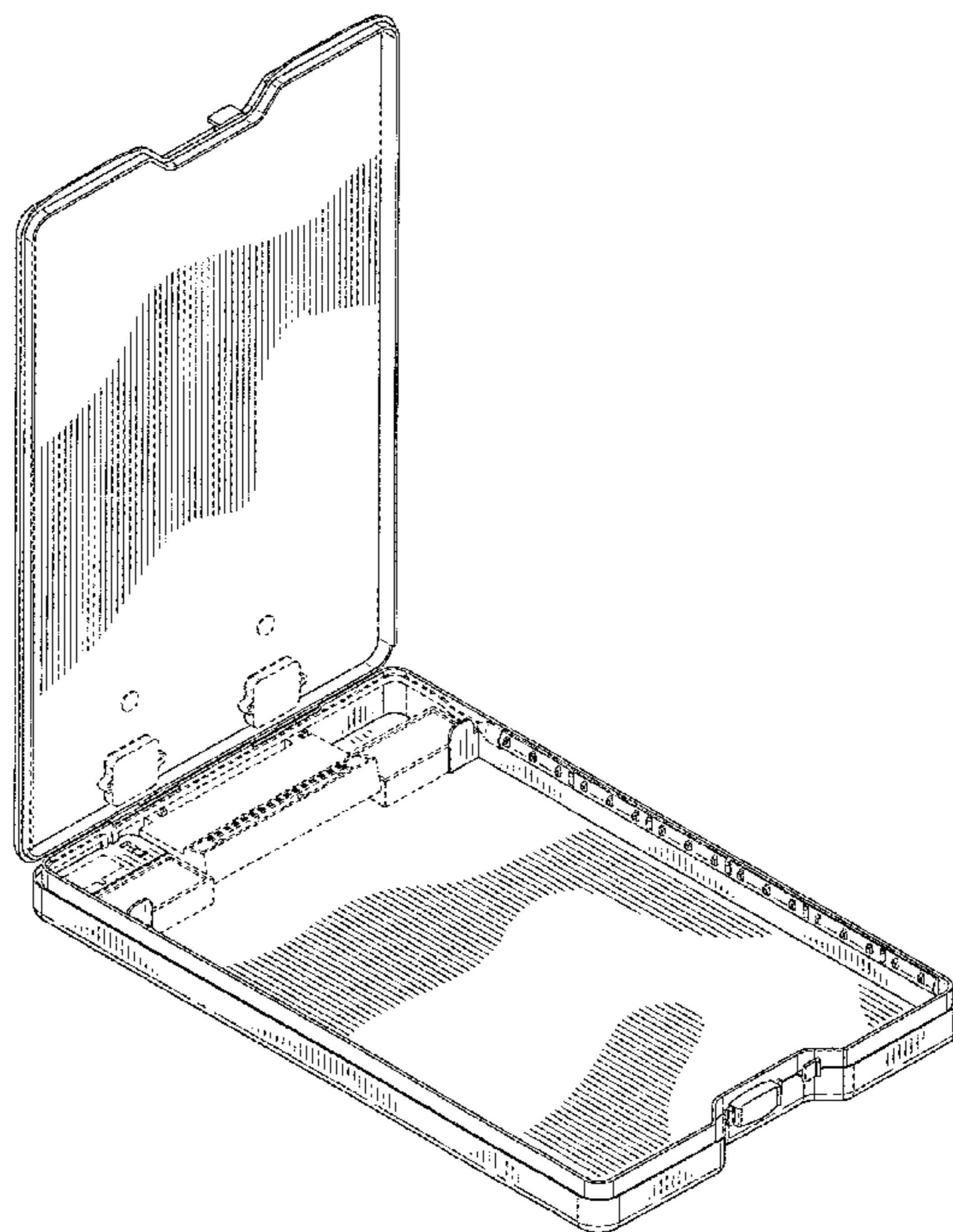
(57) **CLAIM**

The ornamental design for an illuminated storage box with light-emitting diodes, as shown and described.

DESCRIPTION

FIG. 1 is a top left side perspective view of the illuminated storage box having light emitting diodes of this invention. FIG. 2 is a top right side perspective view of the illuminated storage box of this invention. FIG. 3 is a top view of the illuminated storage box having light emitting diodes of this invention. FIG. 4 is a bottom view of the illuminated storage box having light emitting diodes of this invention. FIG. 5 is a right side view of the illuminated storage box having light emitting diodes of this invention with the left side view being a mirror image of the right side view. FIG. 6 is a front view of the illuminated storage box having light emitting diodes of this invention; and, FIG. 7 is a back view of the illuminated storage box having light emitting diodes of this invention. The broken line showing represents portions of the article not claimed and forms no part of the claimed design.

1 Claim, 7 Drawing Sheets



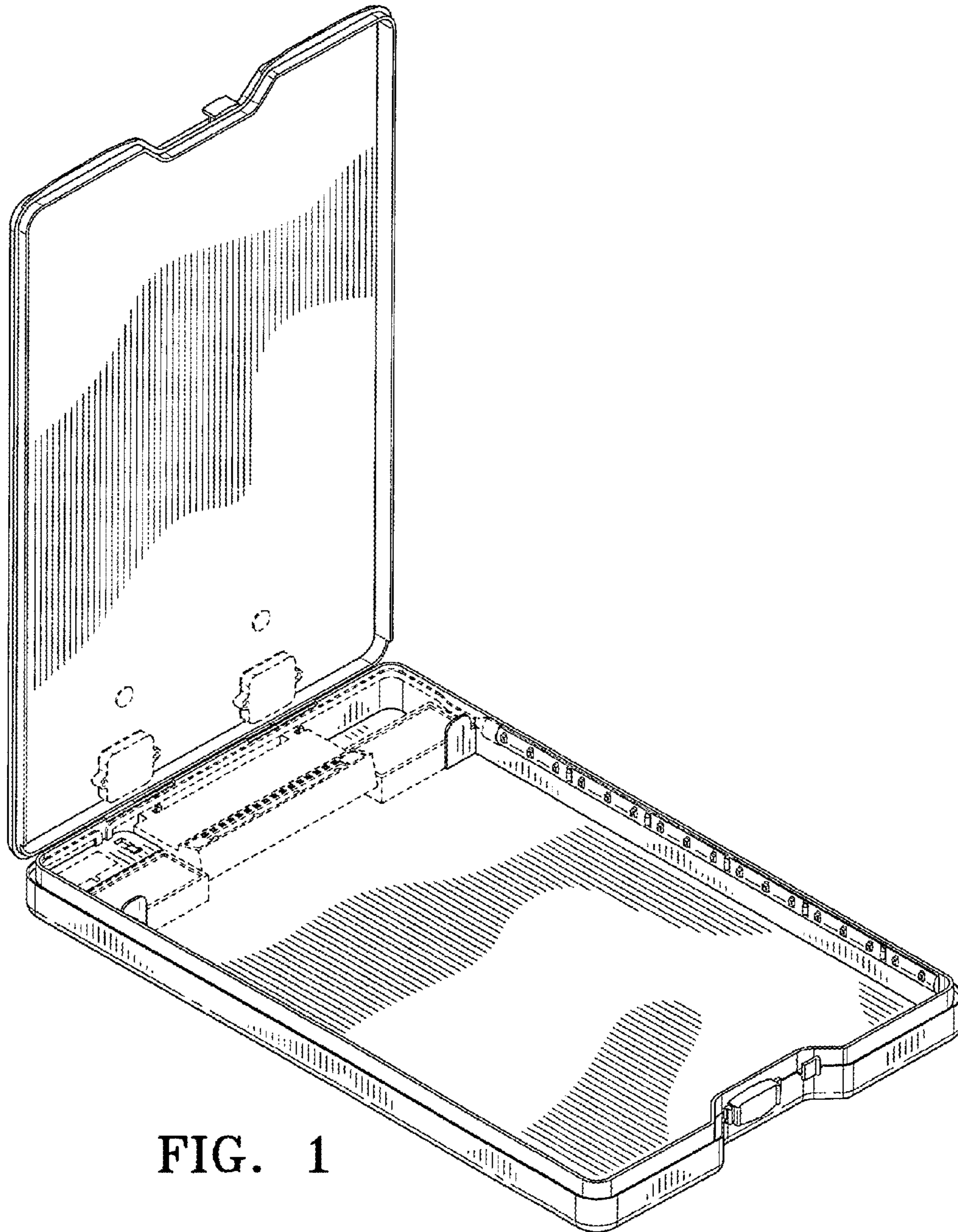


FIG. 1

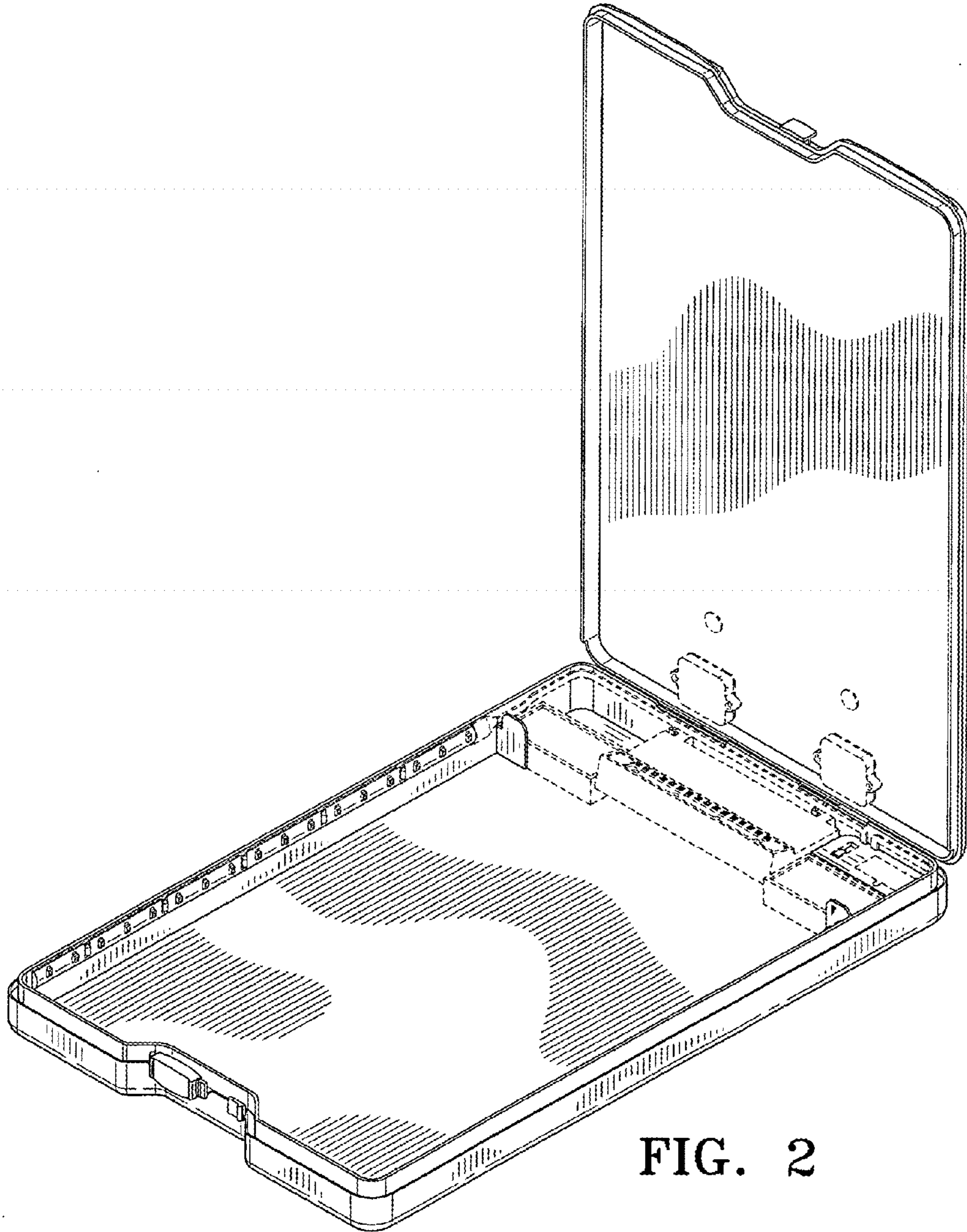


FIG. 2

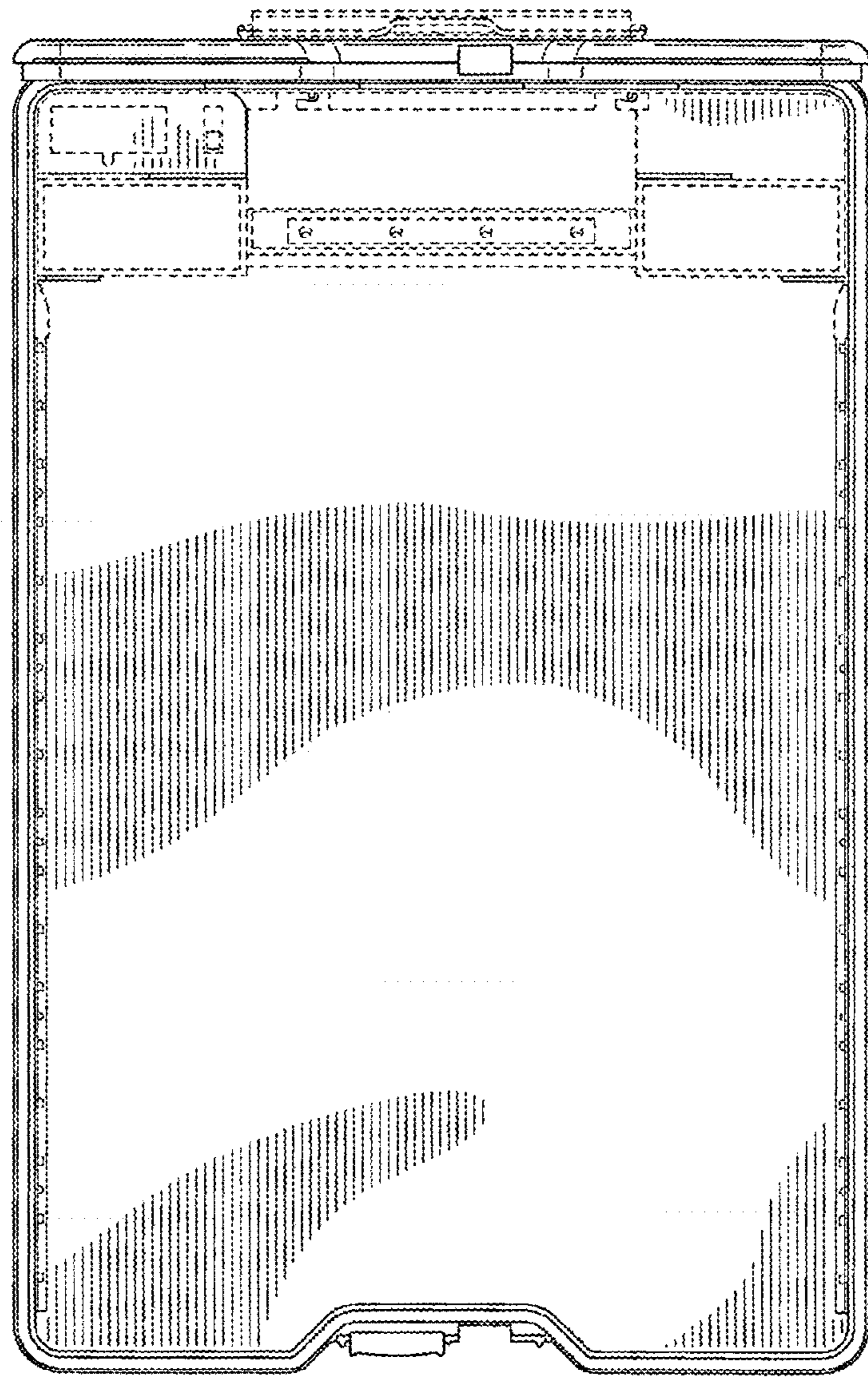


FIG. 3

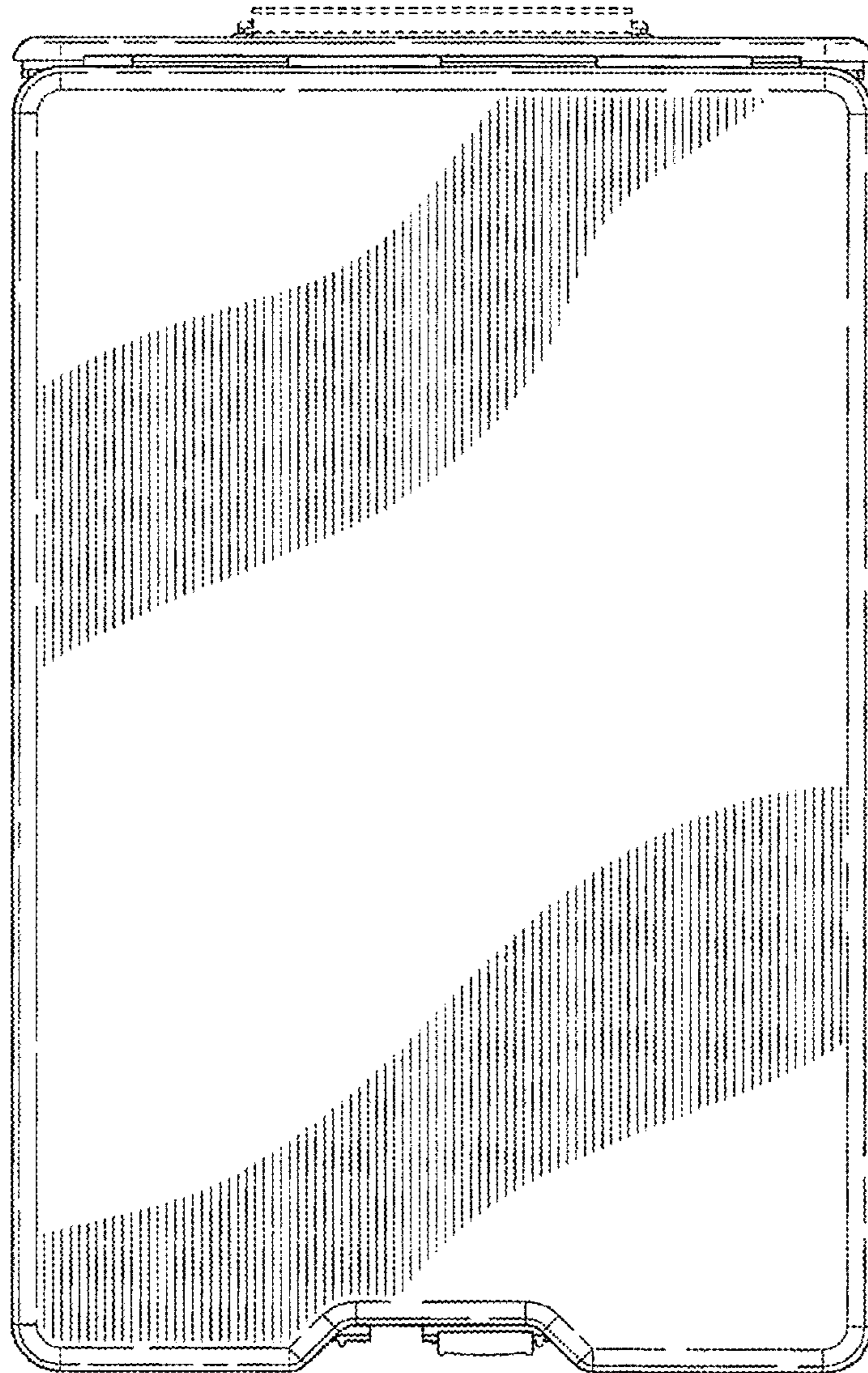


FIG. 4

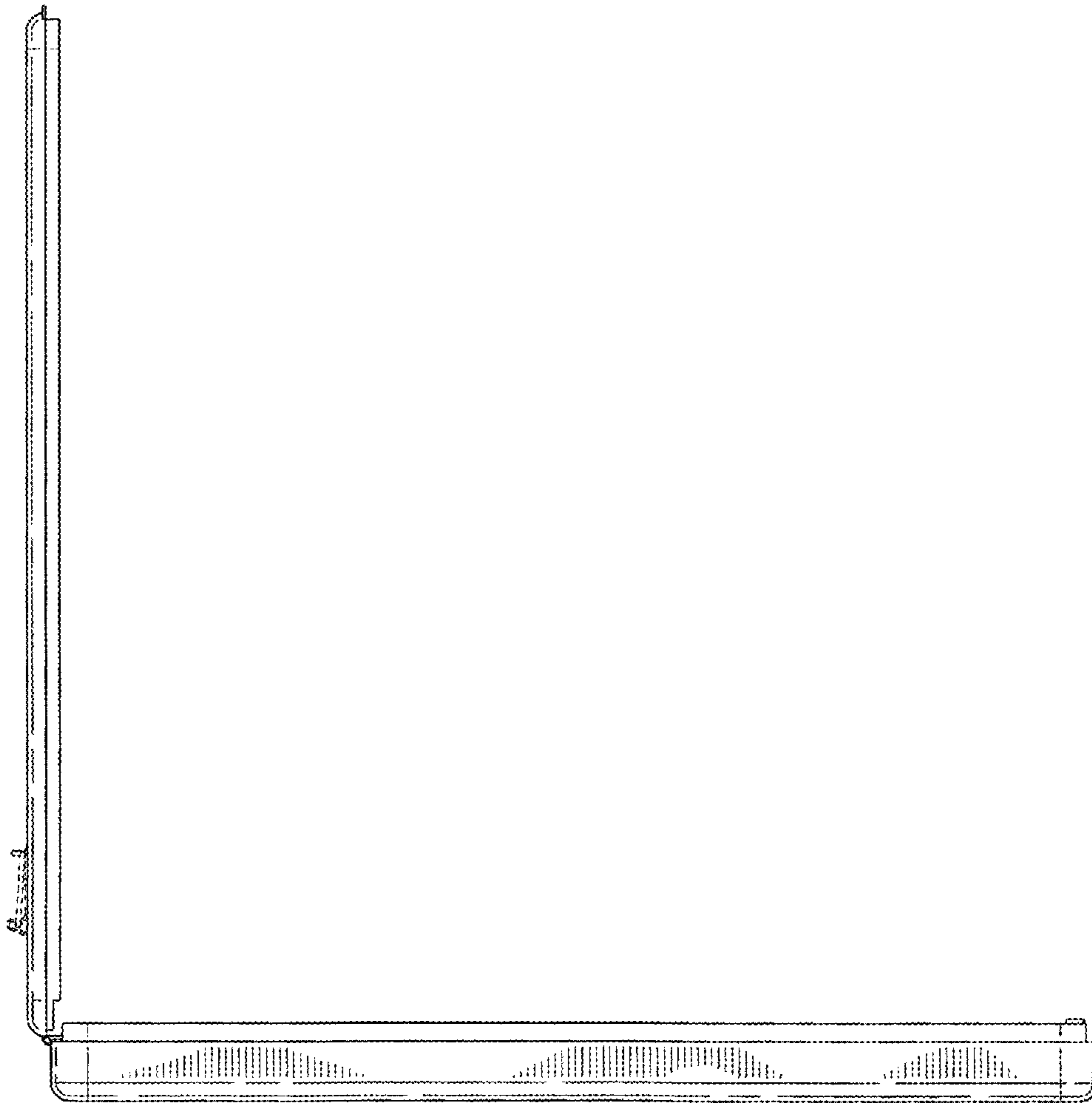


FIG. 5

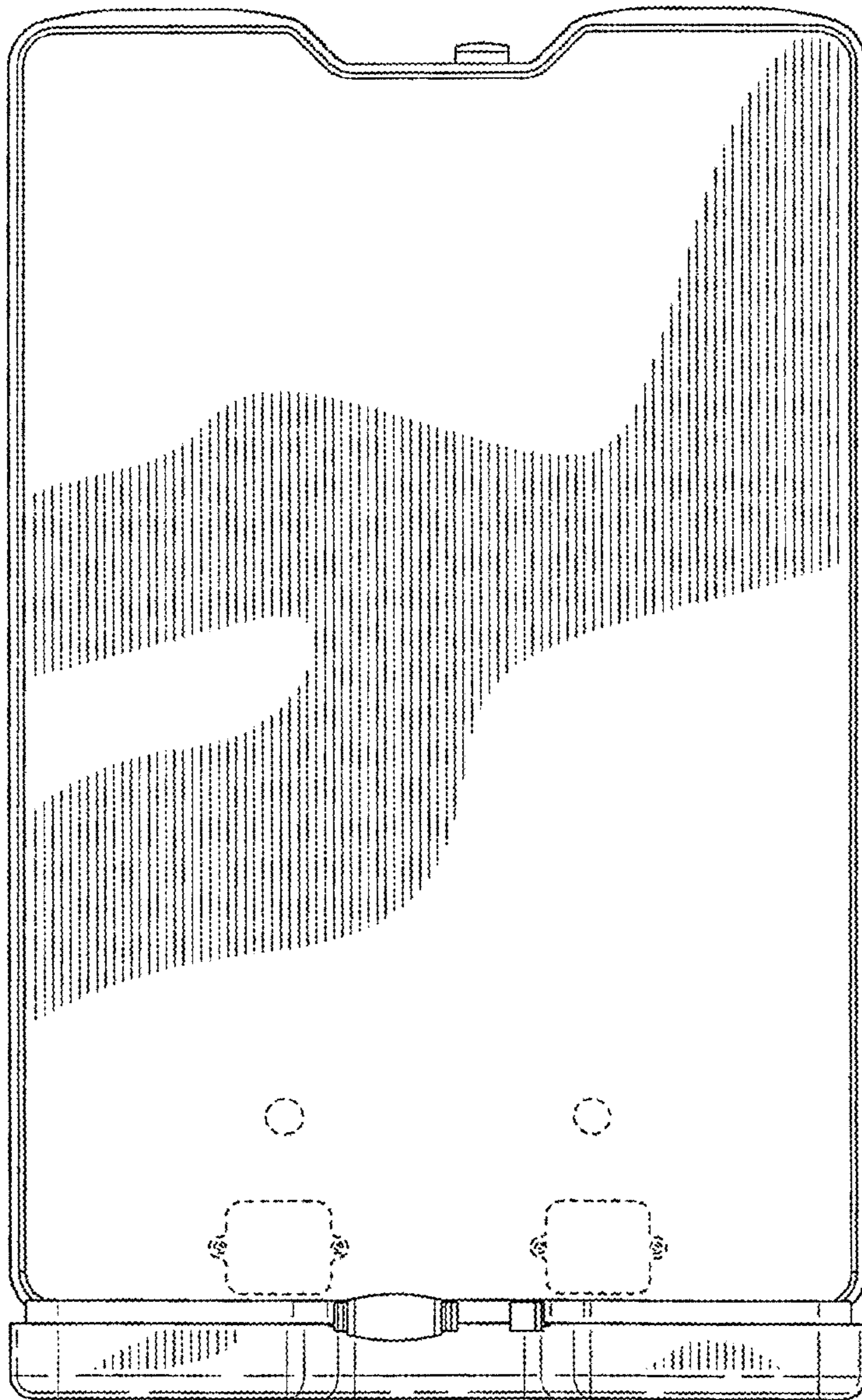


FIG. 6

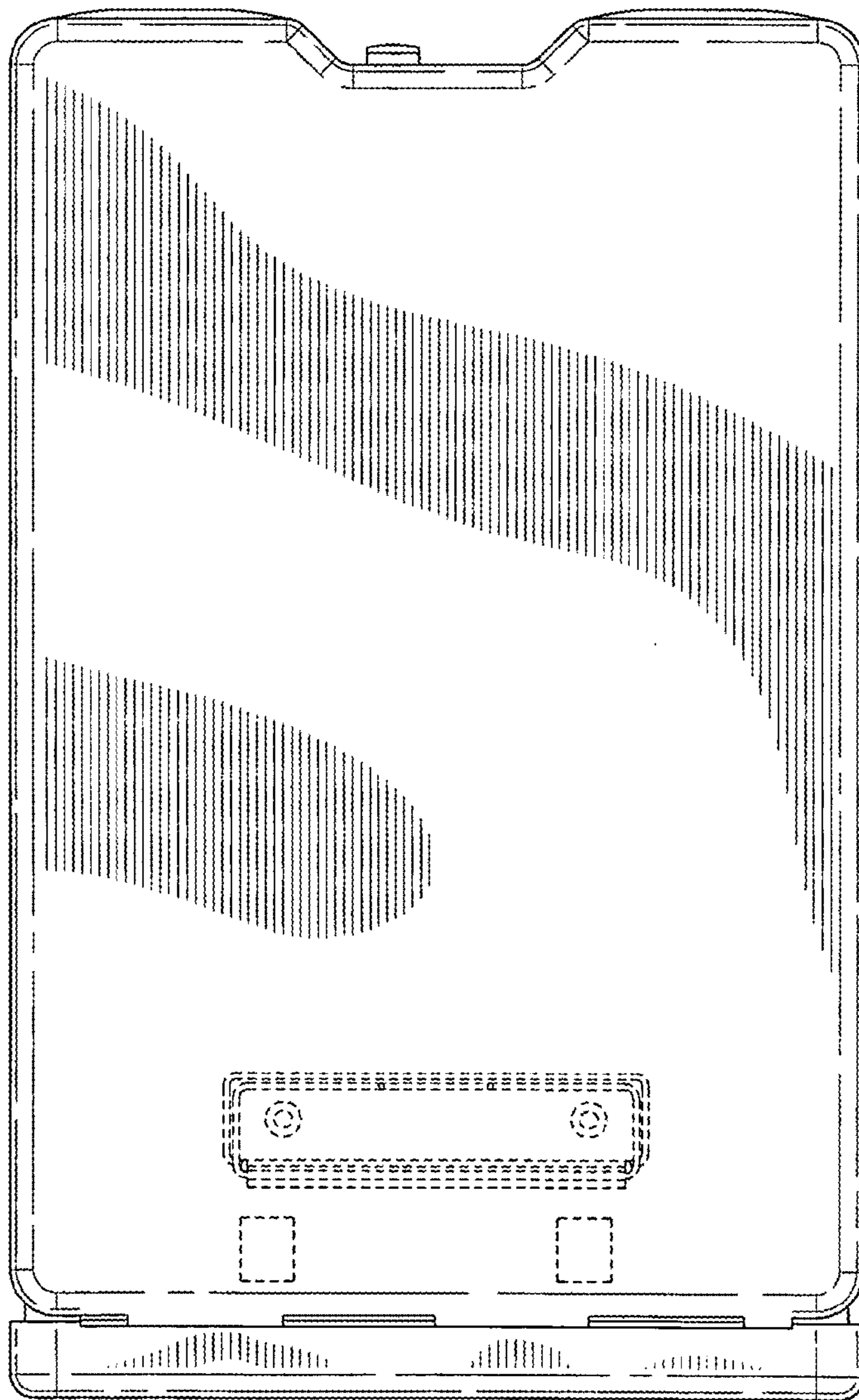


FIG. 7