

US00D770654S

(12) **United States Design Patent**  
**Ingenlath et al.**

(10) **Patent No.:** **US D770,654 S**  
(45) **Date of Patent:** **\*\* Nov. 1, 2016**

(54) **VEHICLE TAILLIGHT**

(71) Applicant: **Volvo Car Corporation**, Göteborg (SE)

(72) Inventors: **Thomas Ingenlath**, Torslanda (SE);  
**Maximilian Missoni**, Göteborg (SE);  
**Alsed Briscoe**, Mölndal (SE)

(73) Assignee: **Volvo Car Corporation**, Gothenburg (SE)

(\*\*) Term: **15 Years**

(21) Appl. No.: **29/542,822**

(22) Filed: **Oct. 17, 2015**

(30) **Foreign Application Priority Data**

Apr. 23, 2015 (EM) ..... 002687657-0003

(51) **LOC (10) Cl.** ..... **26-06**

(52) **U.S. Cl.**  
USPC ..... **D26/28**

(58) **Field of Classification Search**  
USPC ..... D26/28-36; 362/61, 80-83, 267-269,  
362/459-468, 475-478, 485-487  
CPC ..... F21S 48/00; F21S 48/10; F21S 48/115;  
F21S 48/225; F21S 48/1233; F21S 48/1266;  
F21S 48/1388; F21S 48/2268; F21V 21/04;  
B60Q 1/02; B60Q 1/04

See application file for complete search history.

(56) **References Cited**

U.S. PATENT DOCUMENTS

D302,595 S *	8/1989	Spada .....	D26/28
D321,944 S *	11/1991	Malmgren .....	D26/28
D518,200 S *	3/2006	Honda .....	D26/28
D520,153 S *	5/2006	Otto .....	D26/28
D541,444 S *	4/2007	Lamarre .....	D26/28

\* cited by examiner

*Primary Examiner* — Marcus Jackson

(74) *Attorney, Agent, or Firm* — Tucker Ellis LLP

(57) **CLAIM**

The ornamental design for a vehicle taillight, as shown and described.

**DESCRIPTION**

FIG. 1 is a perspective view of a light for vehicle taillight showing our new design.

FIG. 2 is front view thereof.

FIG. 3 is a rear view thereof.

FIG. 4 is a left side view thereof.

FIG. 5 is a right side view thereof.

FIG. 6 is a top view thereof; and,

FIG. 7 is a bottom view thereof.

**1 Claim, 7 Drawing Sheets**

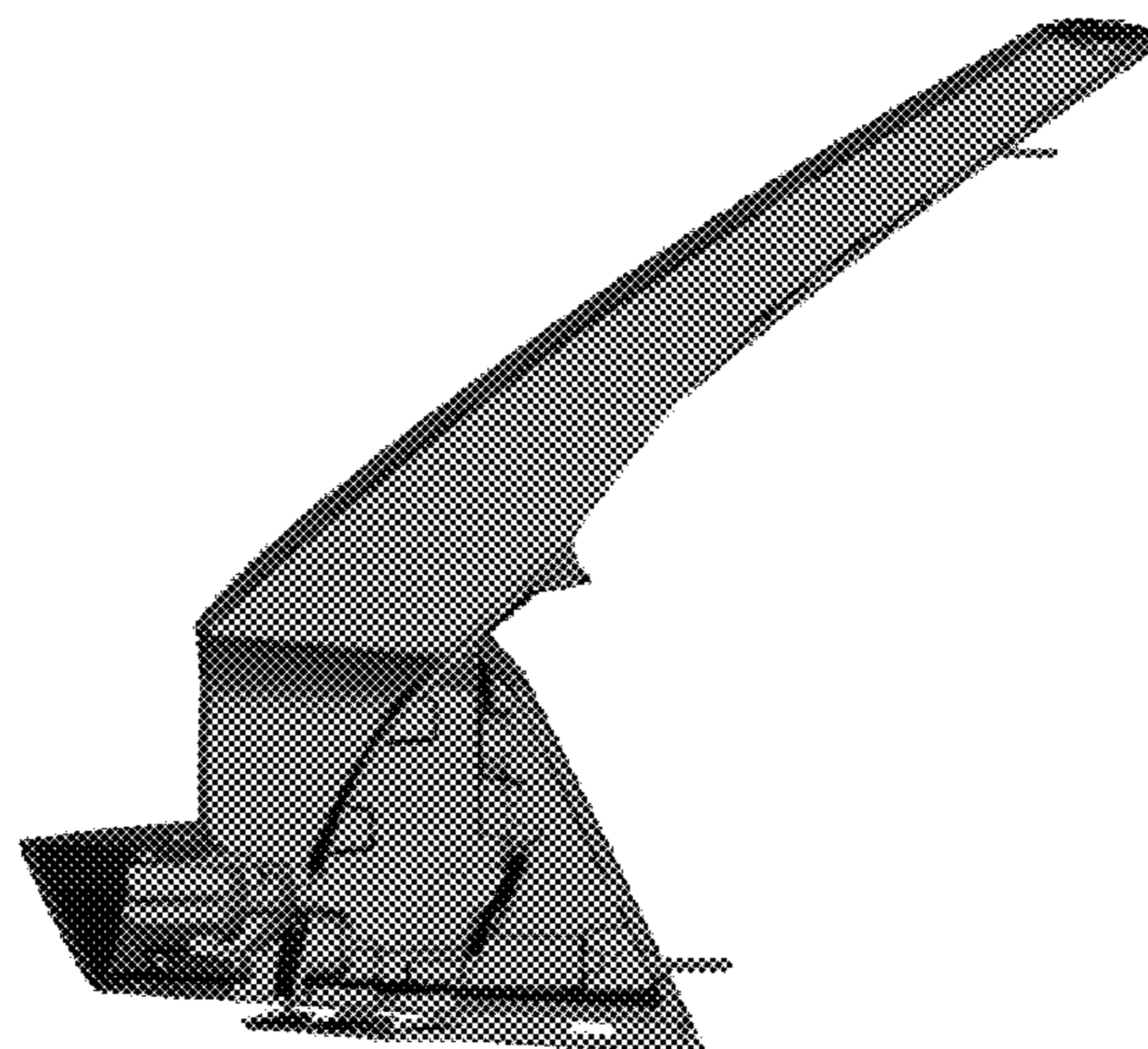
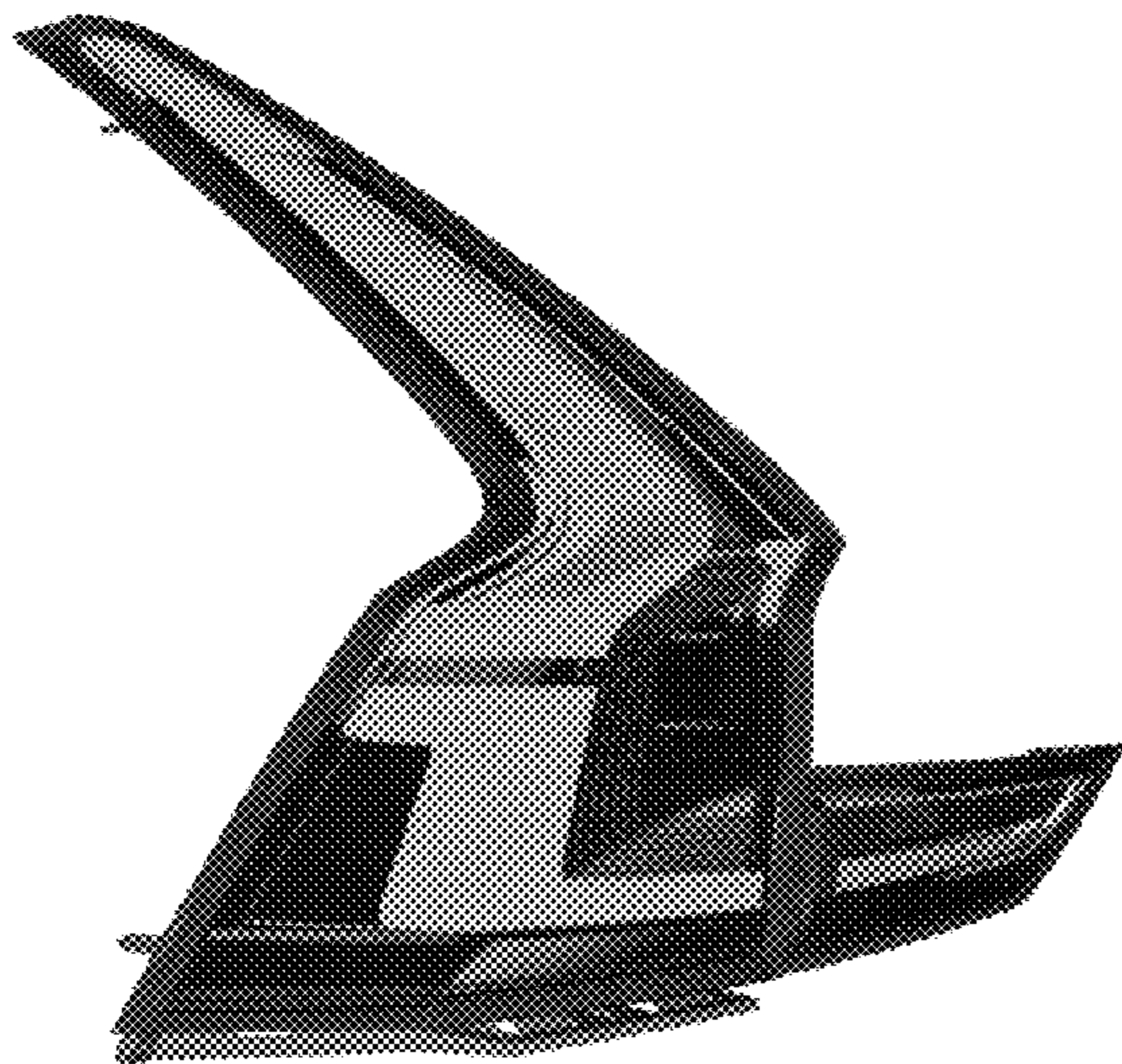




FIG. 1





FIG. 2

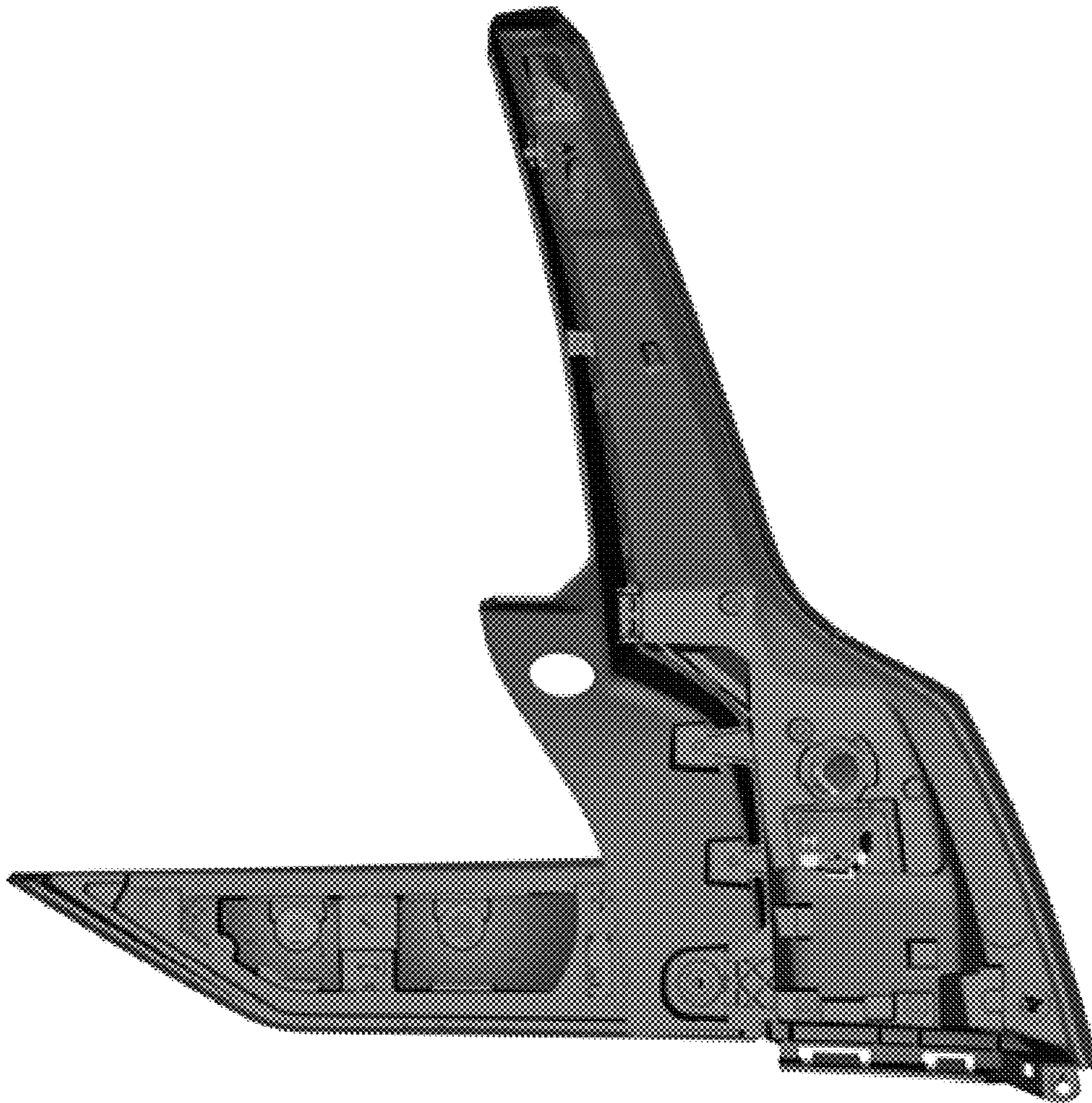


FIG. 3



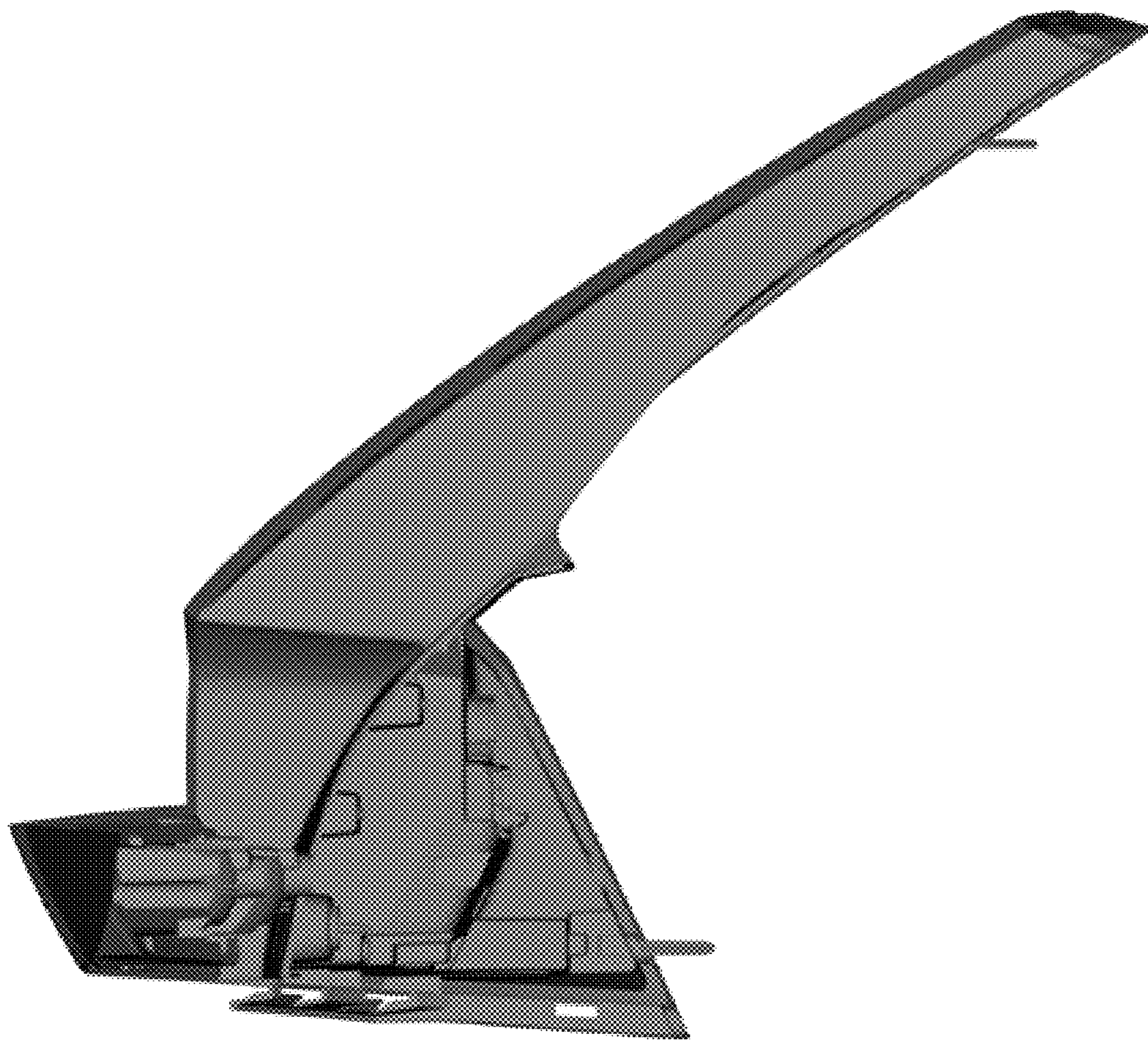


FIG. 4



FIG. 5



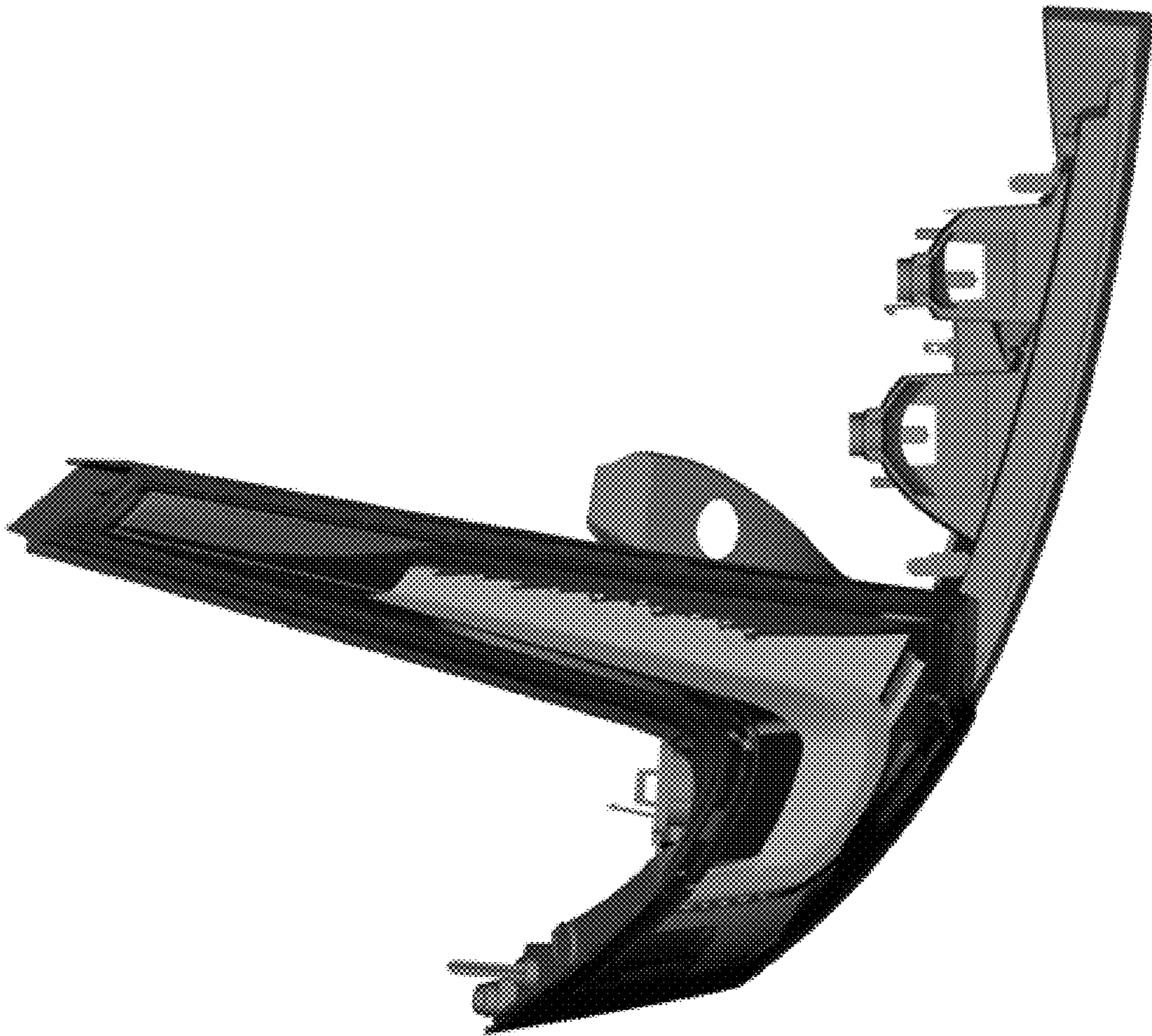


FIG. 6

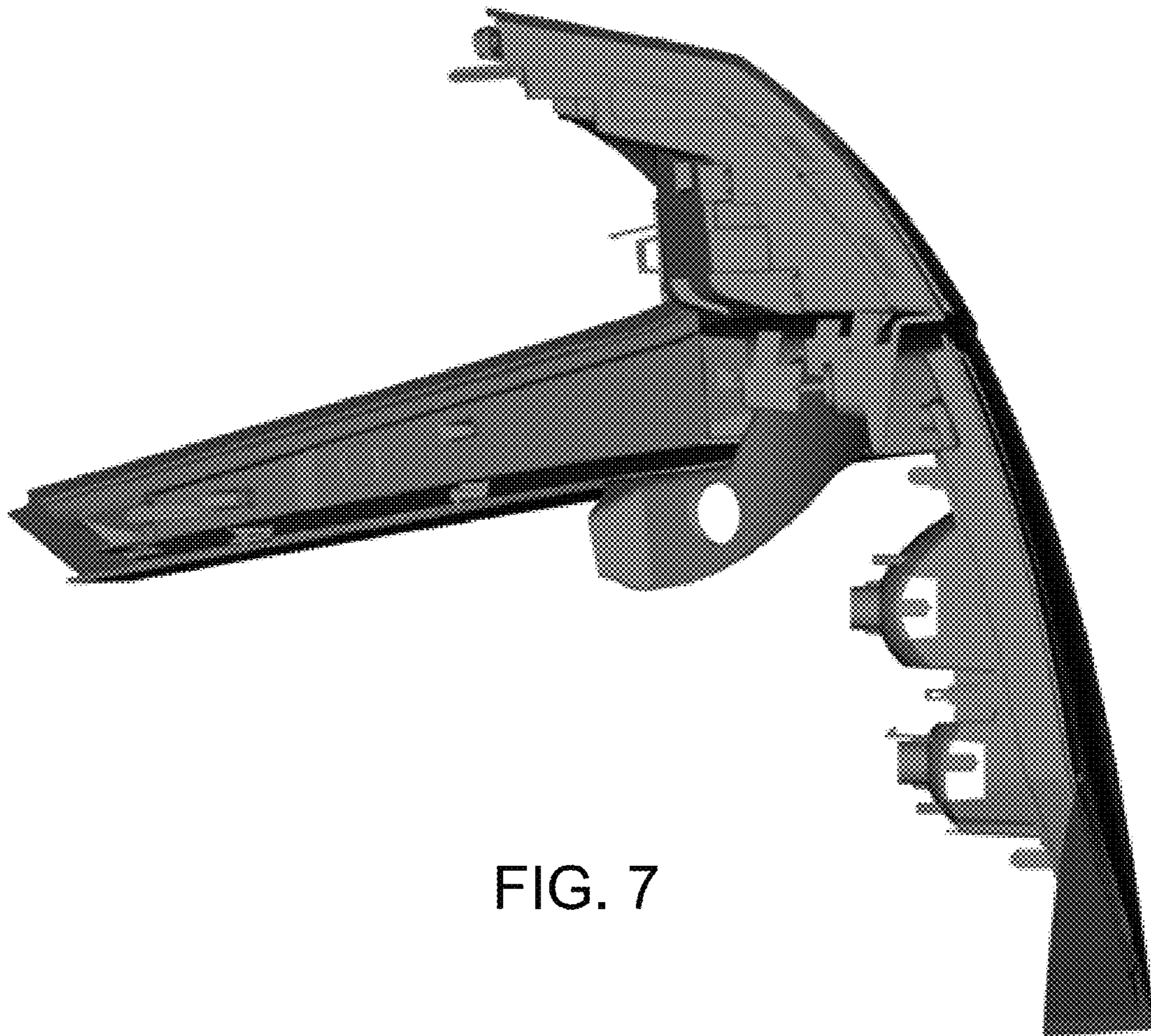


FIG. 7