



US00D770653S

(12) **United States Design Patent** (10) **Patent No.:** **US D770,653 S**
Lai (45) **Date of Patent:** **** Nov. 1, 2016**

(54) **EXTERIOR SURFACE CONFIGURATION FOR AN ENGINE HOOD LIGHT**

D451,218 S * 11/2001 Bernier D26/28
D480,661 S * 10/2003 Kawawa D12/110
D490,750 S * 6/2004 Hoshino D12/110
D514,987 S * 2/2006 Hsiao D12/110

(71) Applicant: **Ching-Tsung Lai**, Tainan (TW)

* cited by examiner

(72) Inventor: **Ching-Tsung Lai**, Tainan (TW)

Primary Examiner — Marcus Jackson

(**) Term: **15 Years**

(21) Appl. No.: **29/542,636**

(22) Filed: **Oct. 15, 2015**

(57) **CLAIM**

(51) **LOC (10) Cl.** **26-06**

An ornamental design for an exterior surface configuration for an engine hood light, as shown and described.

(52) **U.S. Cl.**

USPC **D26/28**

(58) **Field of Classification Search**

USPC D26/28-36; 362/61, 80-83, 267-269,
362/459-468, 475-478, 485-487
CPC F21S 48/00; F21S 48/10; F21S 48/115;
F21S 48/225; F21S 48/2281; F21S 48/1233;
F21S 48/1266; F21S 48/1388; F21S 48/2268;
F21V 21/04

DESCRIPTION

See application file for complete search history.

FIG. 1 is a perspective view of an exterior surface configuration for an engine hood light unit. The drawings and descriptions represent the left side embodiment. The design also contemplates a mirror symmetrical embodiment on the opposite side of the vehicle. The dash line included denotes environment and is not part of the claimed design.

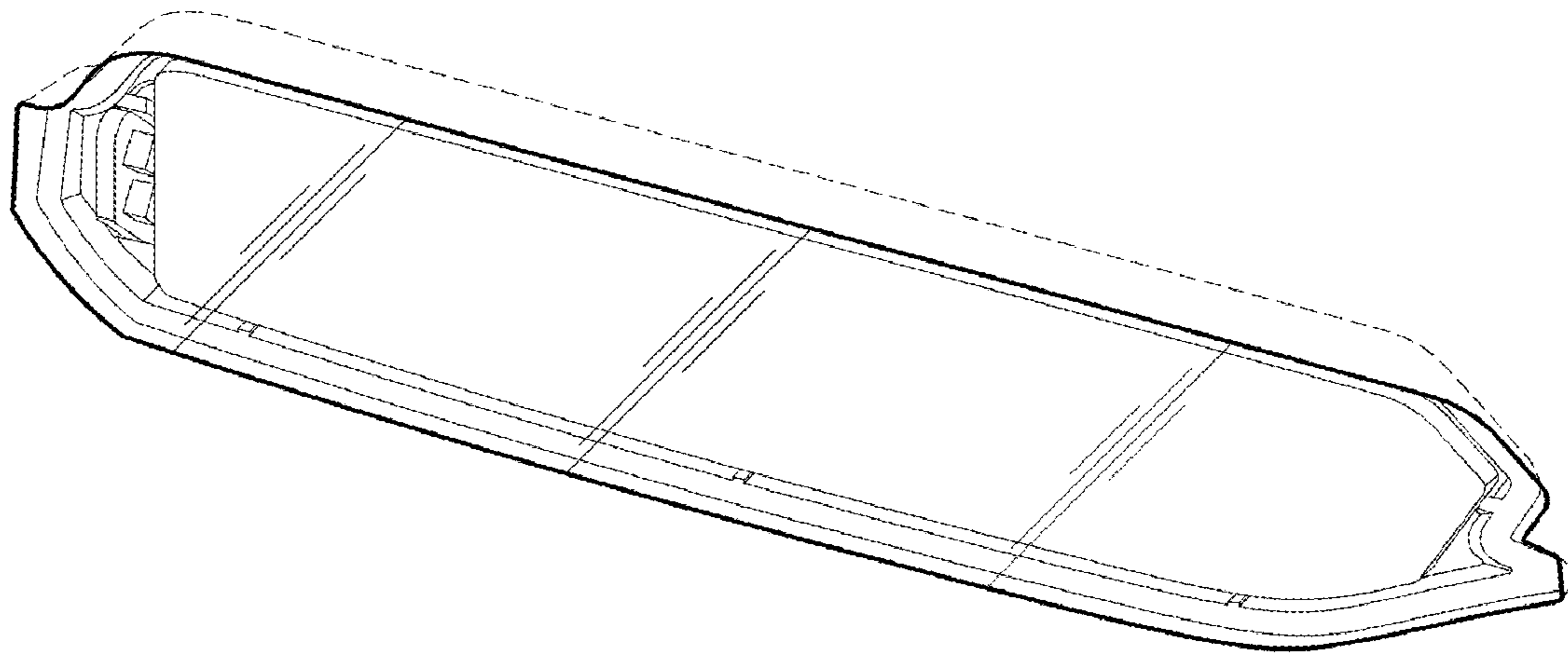
(56) **References Cited**

U.S. PATENT DOCUMENTS

D445,924 S * 7/2001 Oh D26/28
D447,826 S * 9/2001 Kang D26/28

FIG. 2 is a front view thereof;
FIG. 3 is a side view thereof; and,
FIG. 4 is a top view thereof.

1 Claim, 4 Drawing Sheets



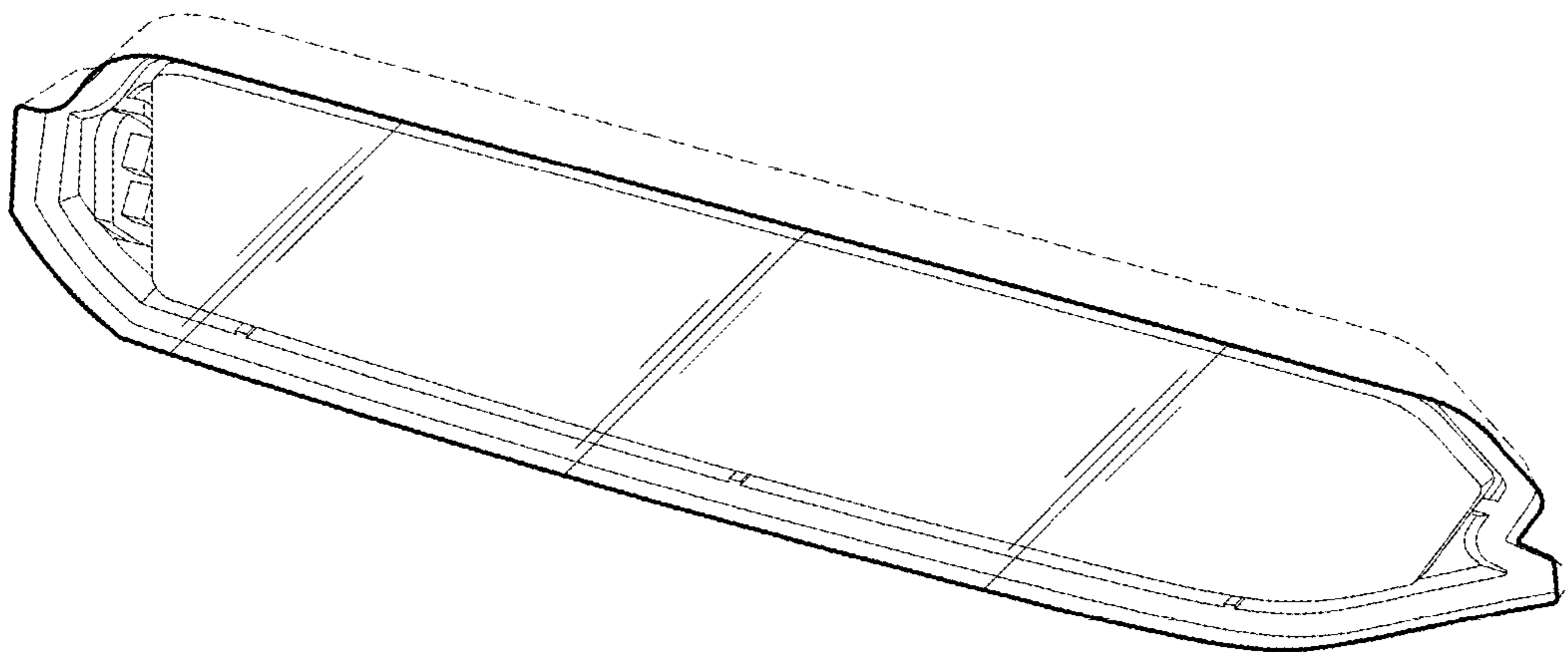


FIG. 1

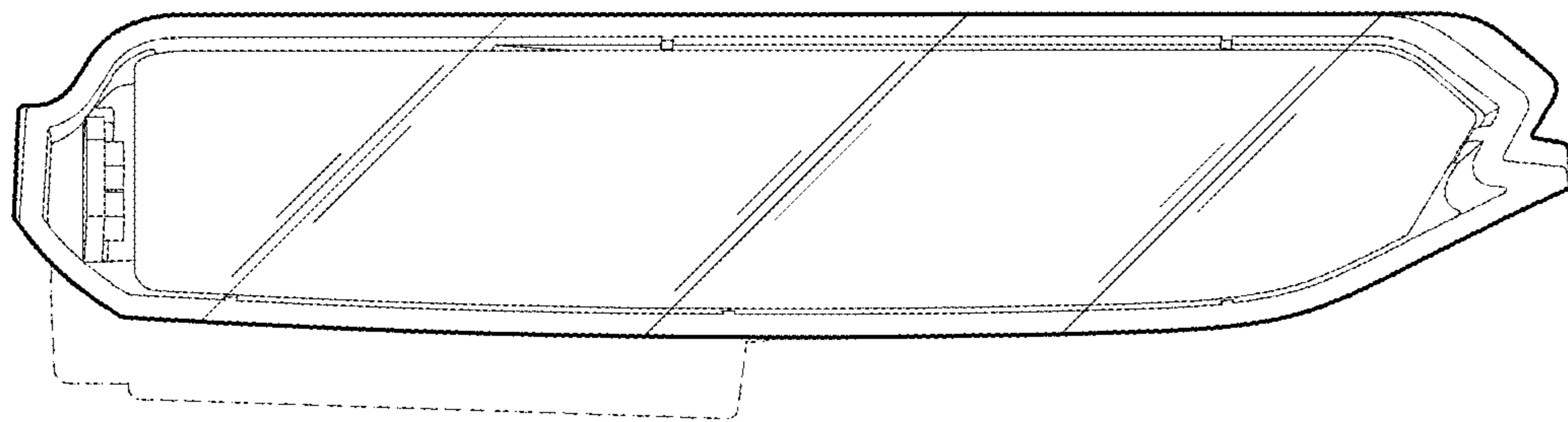


FIG. 2

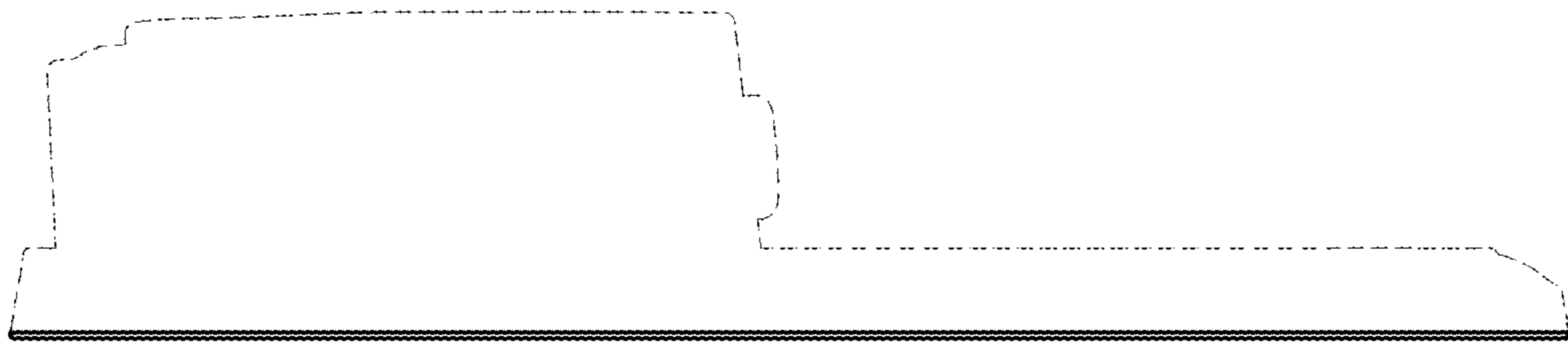


FIG. 3

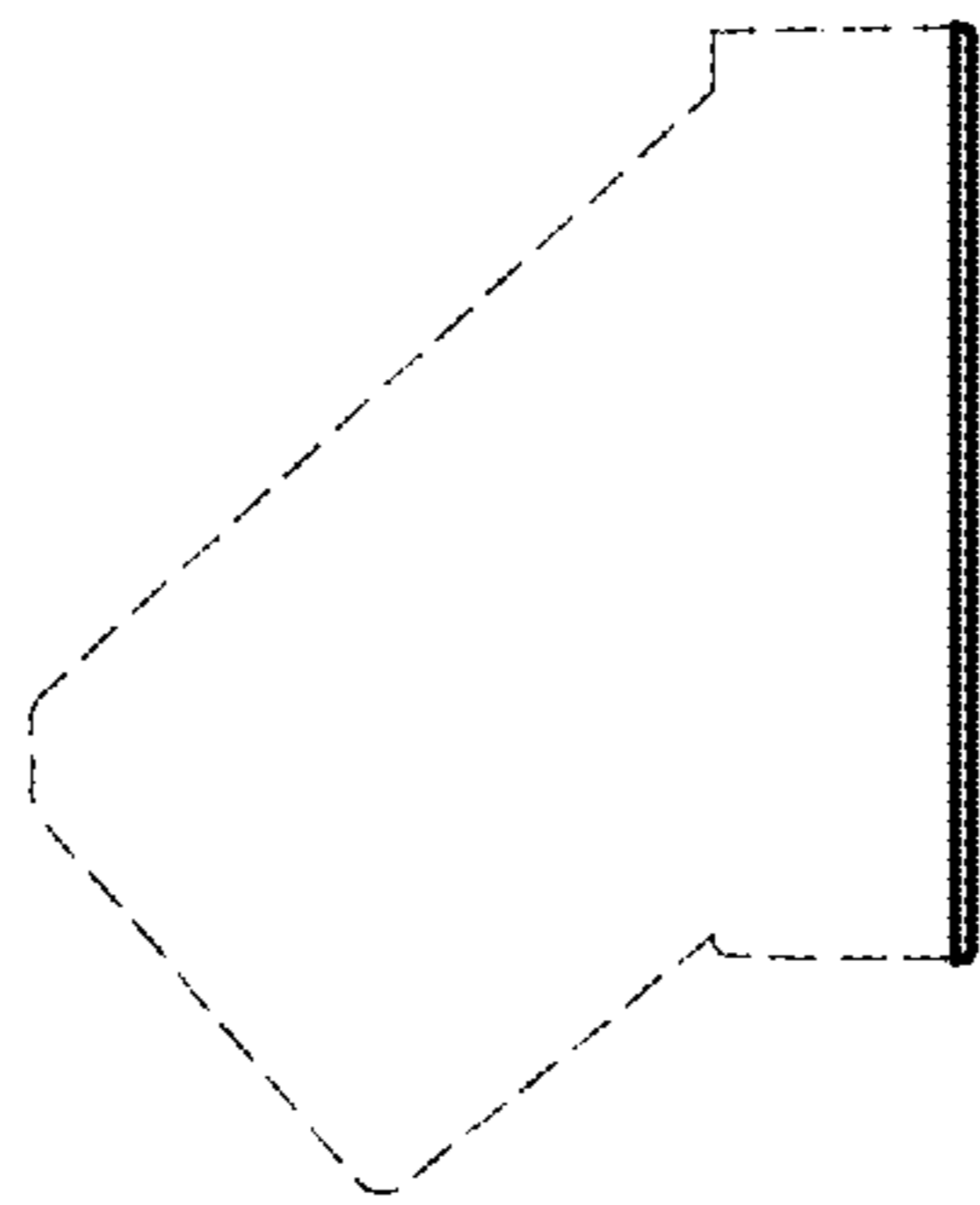


FIG. 4