



US00D770651S

(12) **United States Design Patent** (10) **Patent No.:** **US D770,651 S**
Ma (45) **Date of Patent:** **** Nov. 1, 2016**

(54) **LIGHT FOR A VEHICLE**

(71) Applicant: **Foshan Tuff Plus Auto Lighting Co., Ltd.**, Foshan, Guangdong (CN)

(72) Inventor: **Yong Ma**, Guangdong (CN)

(73) Assignee: **Foshan Tuff Plus Auto Lighting Co., Ltd.**, Foshan, Guangdong (CN)

(**) Term: **15 Years**

(21) Appl. No.: **29/538,978**

(22) Filed: **Sep. 10, 2015**

(51) **LOC (10) Cl.** **26-06**

(52) **U.S. Cl.**
USPC **D26/28**

(58) **Field of Classification Search**
USPC D26/28-36; 362/61, 80-83, 267-269,
362/459-468, 475-478, 485-487
CPC F21S 48/00; F21S 48/10; F21S 48/115;
F21S 48/225; F21S 48/1233; F21S 48/1266;
F21S 48/1388; F21S 48/2268; F21V 5/00
See application file for complete search history.

(56) **References Cited**

U.S. PATENT DOCUMENTS

D550,380 S * 9/2007 Lin D26/28
D560,291 S * 1/2008 Koyama D26/28

D561,358 S * 2/2008 Tachibana D26/28
D561,359 S * 2/2008 Hsu D26/28
D569,533 S * 5/2008 Hsu D26/28
D570,007 S * 5/2008 Hsu D26/28
D593,232 S * 5/2009 Koman D26/28

* cited by examiner

Primary Examiner — Marcus Jackson

(74) *Attorney, Agent, or Firm* — Sand & Sebolt

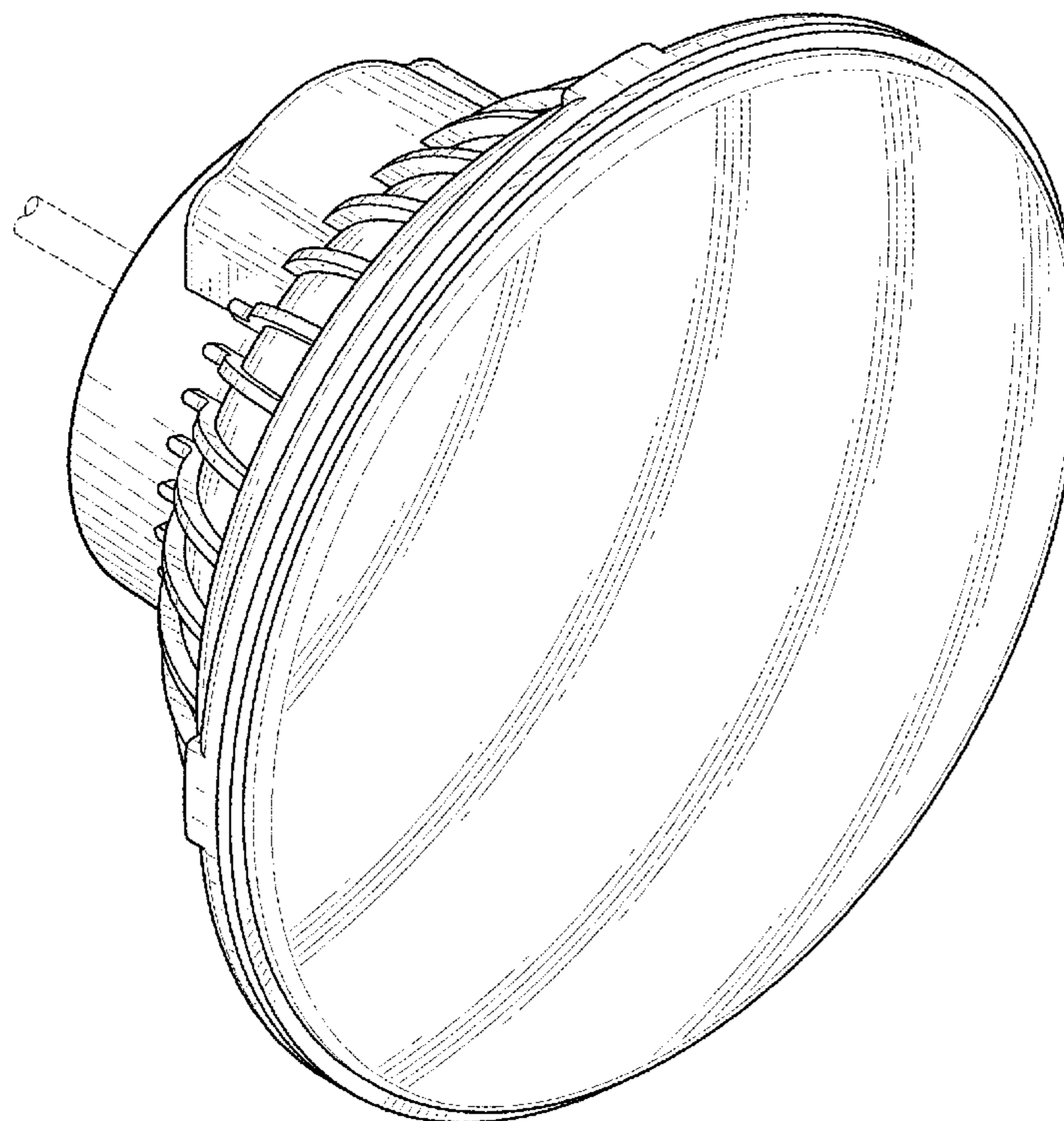
(57) **CLAIM**

The ornamental design for a light for a vehicle, as shown and described.

DESCRIPTION

FIG. 1 is an isometric perspective view of a light for a vehicle in accordance with my design; FIG. 2 is a front elevation thereof; FIG. 3 is a rear elevation thereof; FIG. 4 is a top plan view thereof; FIG. 5 is a bottom plan view thereof; FIG. 6 is a left side elevation thereof; and, FIG. 7 is a right side elevation thereof. The broken lines illustrate portions of the light for a vehicle which form no part of the claimed design.

1 Claim, 7 Drawing Sheets



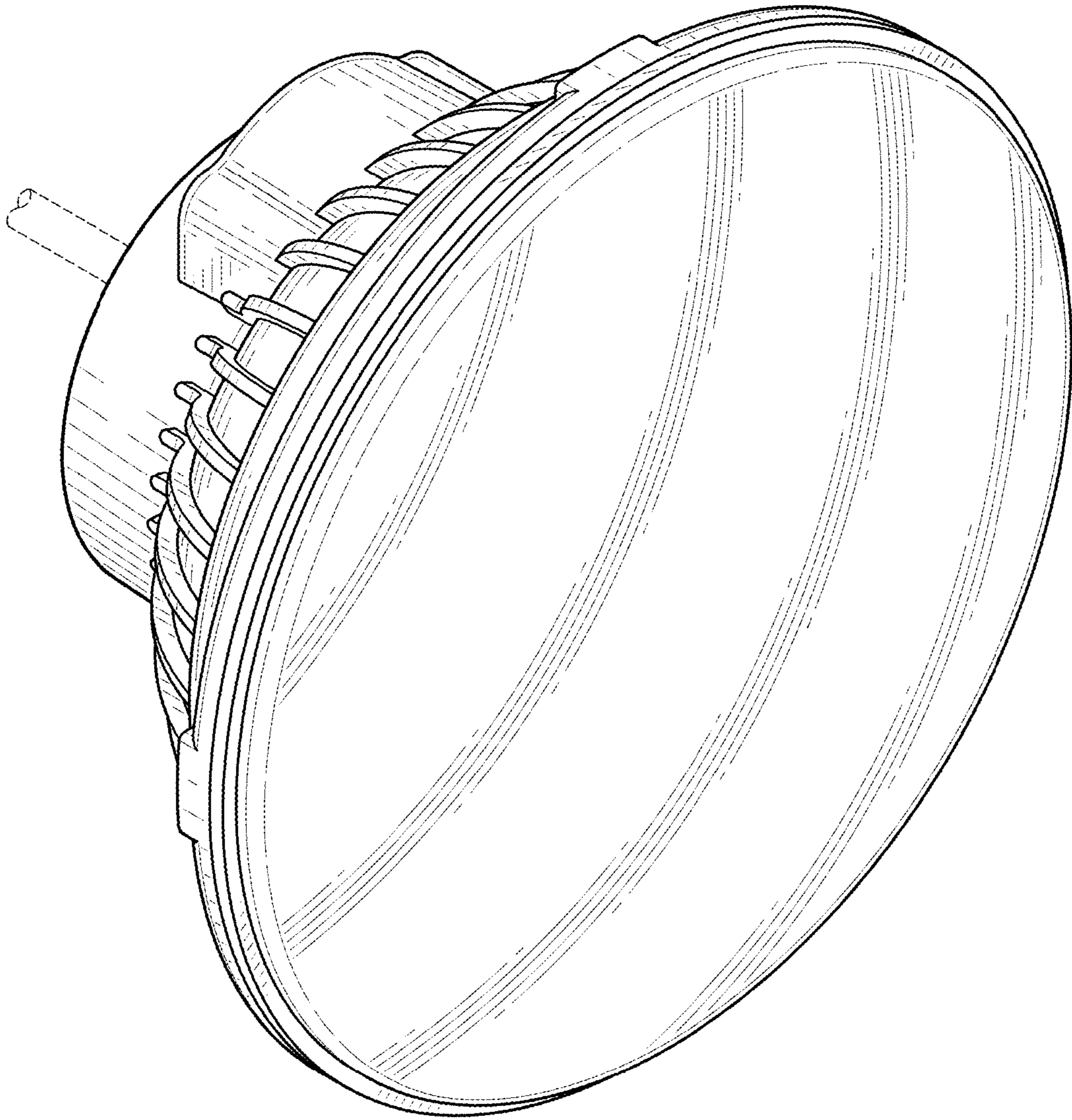


FIG-1

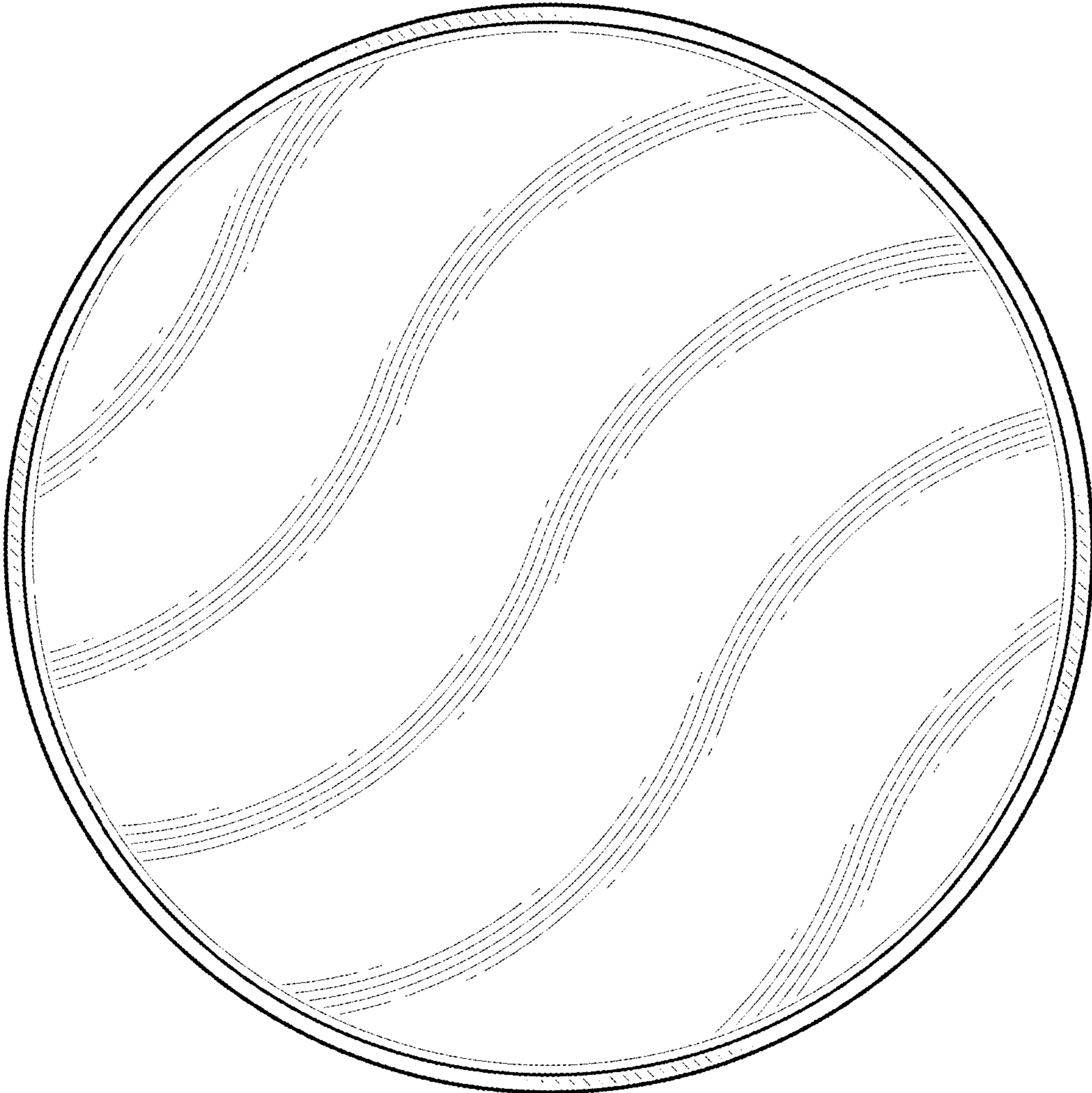


FIG-2

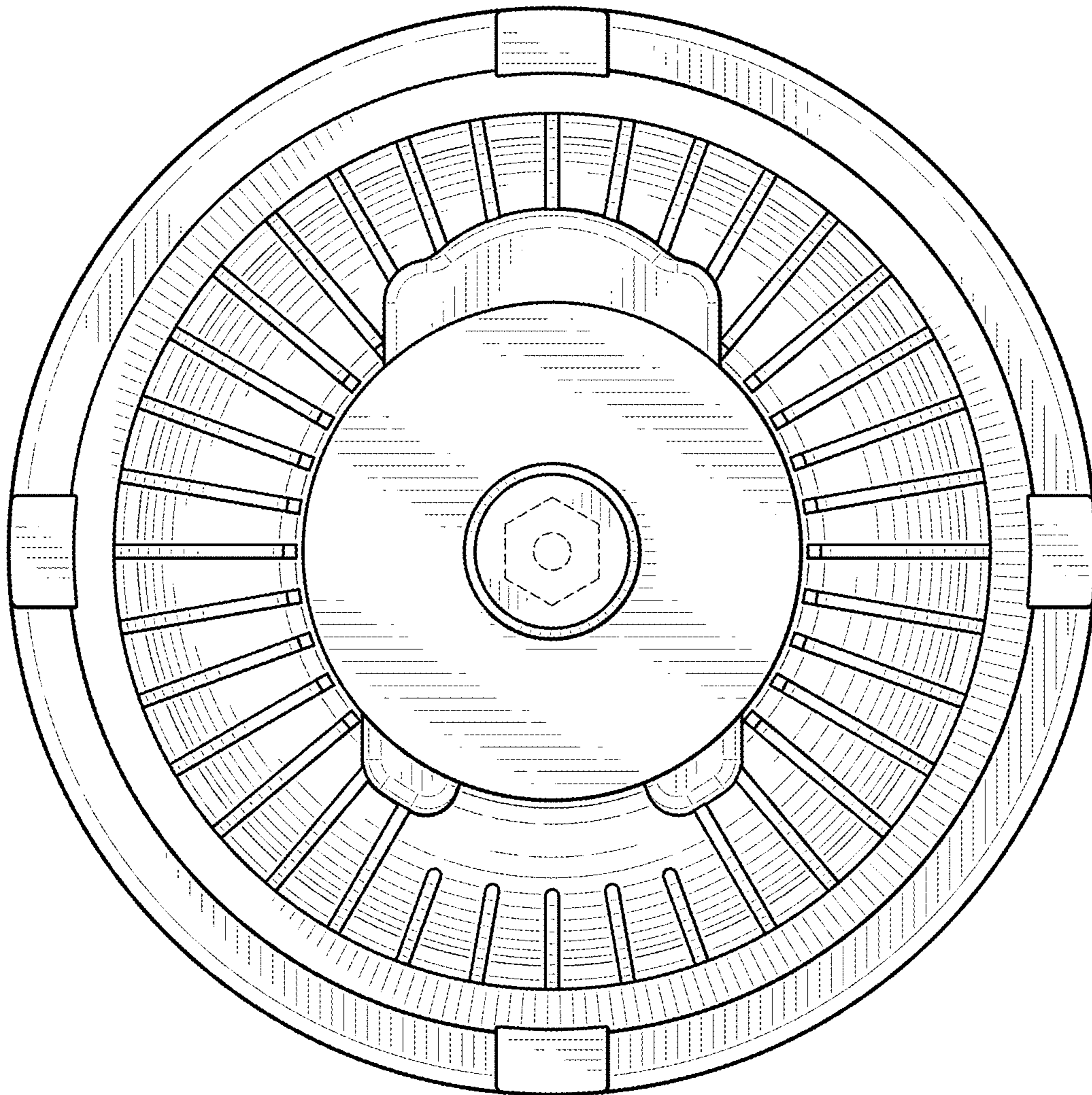


FIG-3

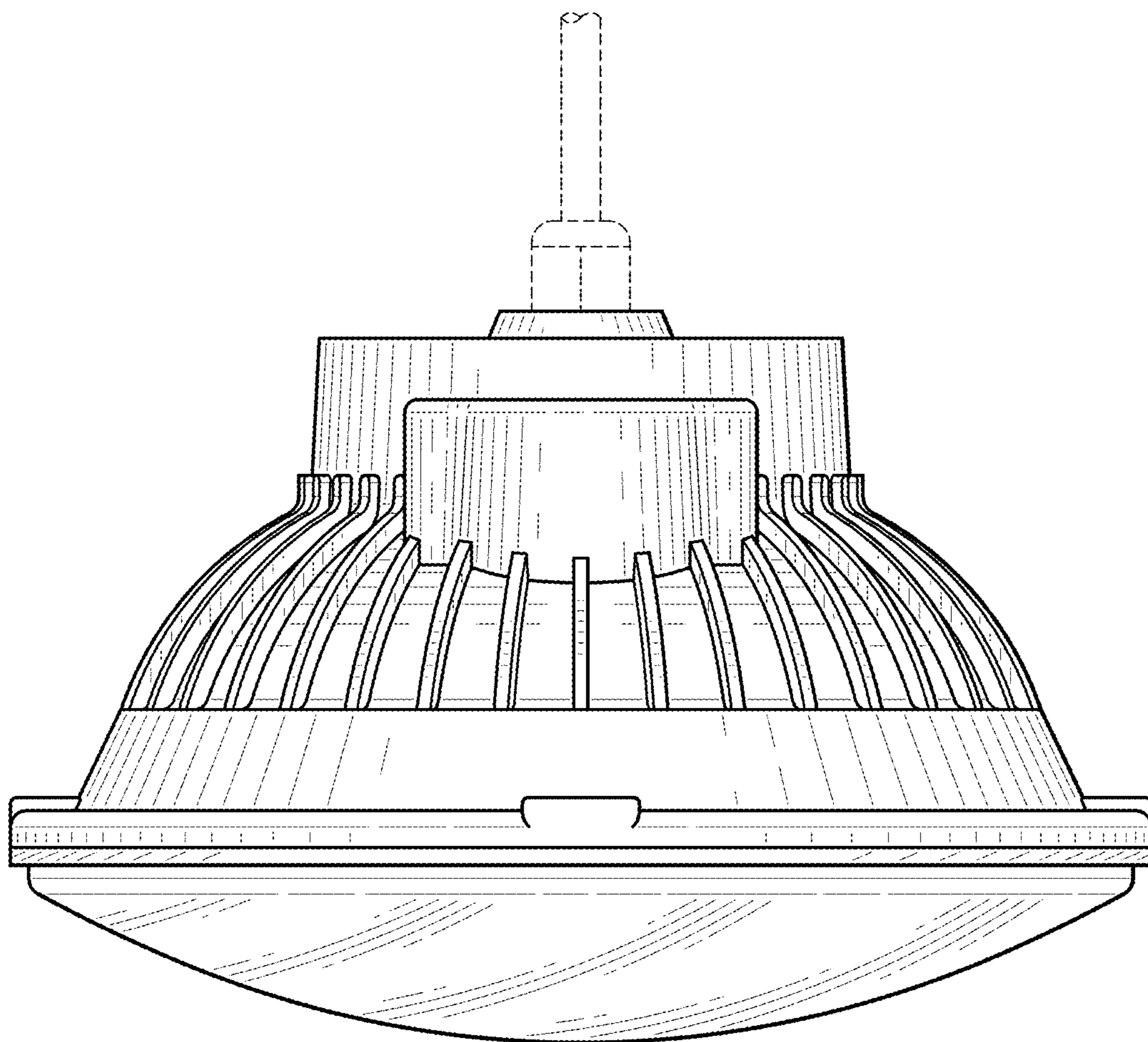


FIG-4

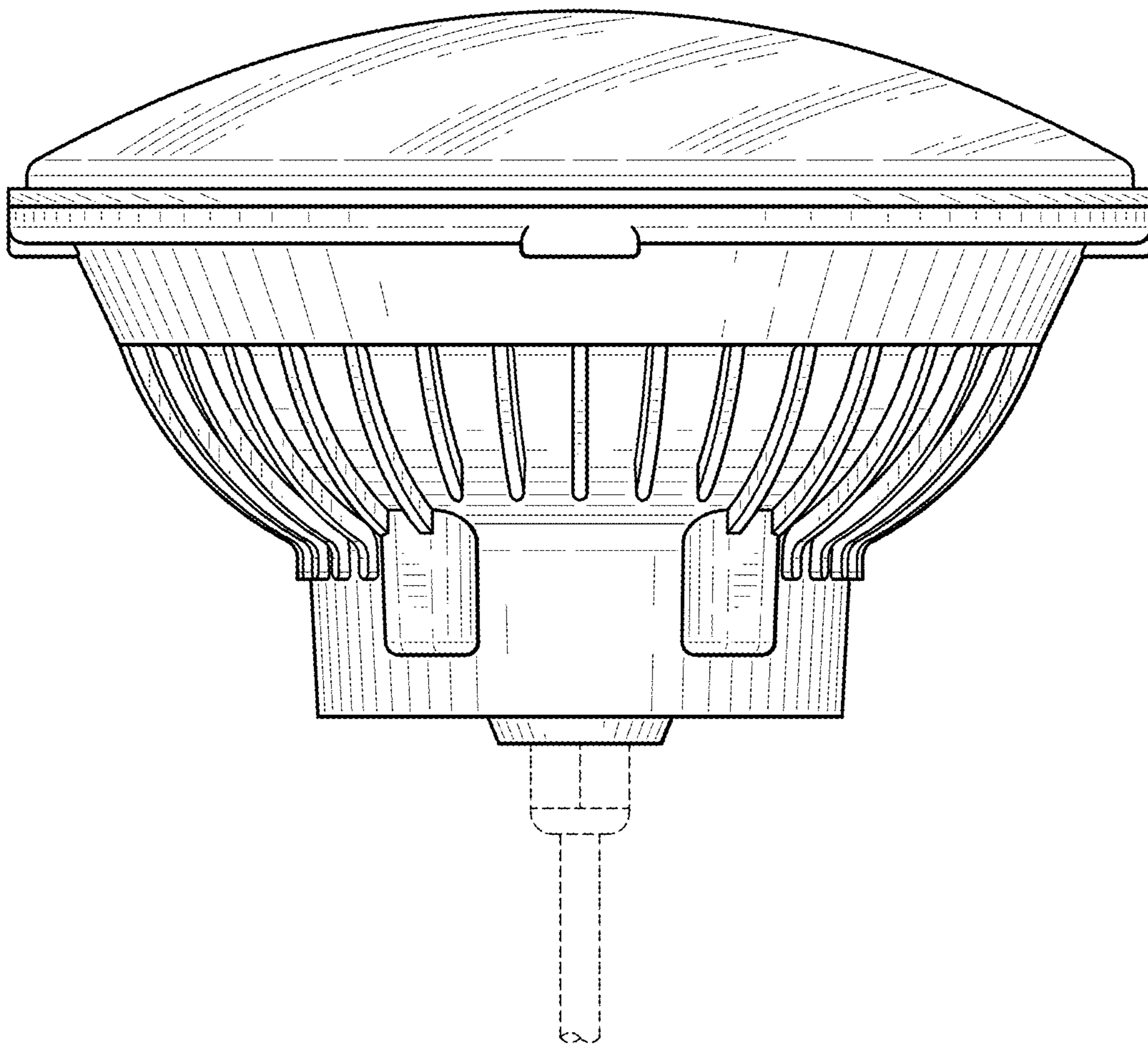


FIG-5

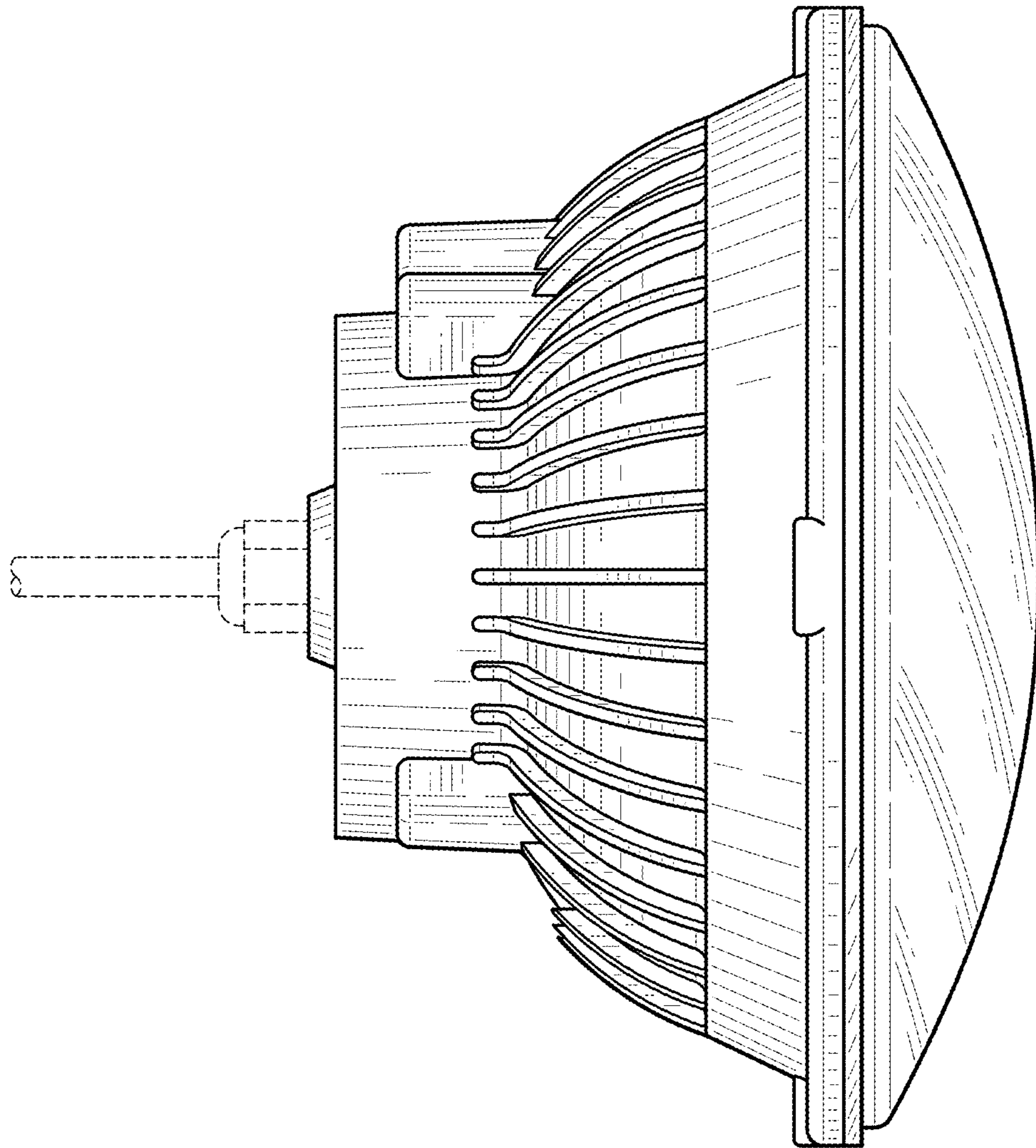


FIG-6

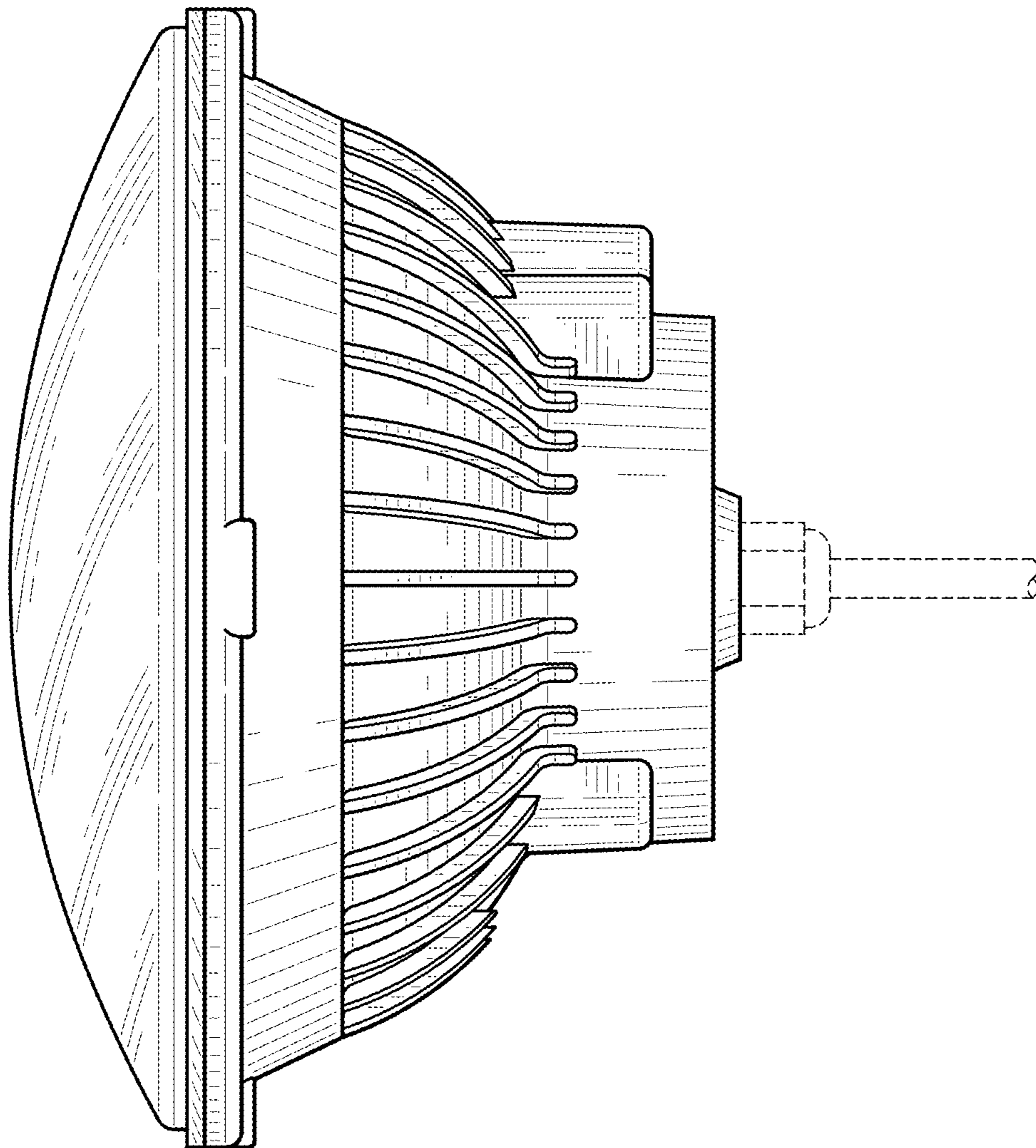


FIG-7