



US00D770649S

(12) **United States Design Patent**
Lim et al.

(10) **Patent No.:** **US D770,649 S**
(45) **Date of Patent:** **** Nov. 1, 2016**

(54) **HEAD LAMP FOR AUTOMOBILES**

(71) Applicant: **Kia Motors Corporation**, Seoul (KR)

(72) Inventors: **Jung-Wook Lim**, Seoul (KR);
Soo-Woon Jeon, Seoul (KR)

(73) Assignee: **Kia Motors Corporation**, Seoul (KR)

(**) Term: **15 Years**

(21) Appl. No.: **29/534,709**

(22) Filed: **Jul. 30, 2015**

(30) **Foreign Application Priority Data**

Feb. 16, 2015 (KR) 30-2015-0008352

(51) **LOC (10) Cl.** **26-05**

(52) **U.S. Cl.**
USPC **D26/28**

(58) **Field of Classification Search**
USPC D26/28-36; 362/459-468, 475-478,
362/485-487

CPC F21S 48/00; F21S 48/10; F21S 48/115;
F21S 48/225; F21S 48/1233; F21S 48/1266;
F21S 48/1388; F21S 48/2268; F21V 21/04
See application file for complete search history.

(56) **References Cited**

U.S. PATENT DOCUMENTS

D678,569 S * 3/2013 Brendel D26/28
D706,471 S * 6/2014 Lai D26/28
D750,299 S * 2/2016 Morikawa D26/28

D753,325 S * 4/2016 Diephuis D26/28
D755,425 S * 5/2016 Kong D26/28
D757,315 S * 5/2016 Binder D26/28
D758,626 S * 6/2016 Sperling D26/28
D759,273 S * 6/2016 Ogiwara D26/28
D759,865 S * 6/2016 Shim D26/28
D761,461 S * 7/2016 Lai D26/28
D761,467 S * 7/2016 Nagasato D26/28
D761,985 S * 7/2016 Kayakabe D26/28
D761,986 S * 7/2016 Obatake D26/28

* cited by examiner

Primary Examiner — Angela J Lee

(74) *Attorney, Agent, or Firm* — Mintz Levin Cohn Ferris
Glovsky and Popeo, P.C.; Kongsik Kim

(57) **CLAIM**

The ornamental design for a head lamp for automobiles, as shown and described.

DESCRIPTION

FIG. 1 is a perspective view of a head lamp for automobiles according to the present invention.

FIG. 2 is a front view of the head lamp for automobiles of FIG. 1.

FIG. 3 is a rear view of the head lamp for automobiles of FIG. 1.

FIG. 4 is a left side view of the head lamp for automobiles of FIG. 1.

FIG. 5 is a right side view of the head lamp for automobiles of FIG. 1.

FIG. 6 is a top view of the head lamp for automobiles of FIG. 1; and,

FIG. 7 is a bottom view of the head lamp for automobiles of FIG. 1.

1 Claim, 7 Drawing Sheets

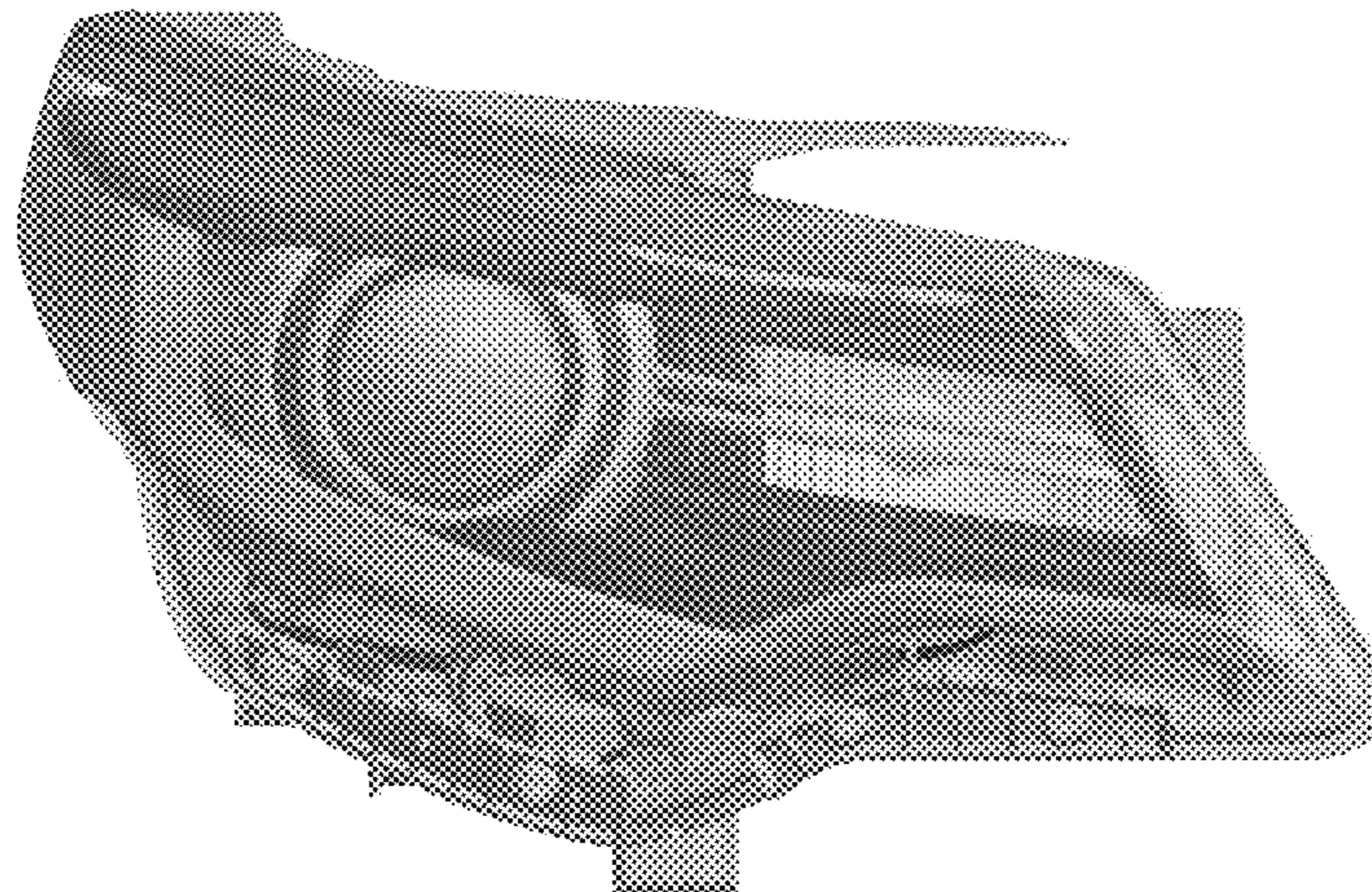


FIG. 1

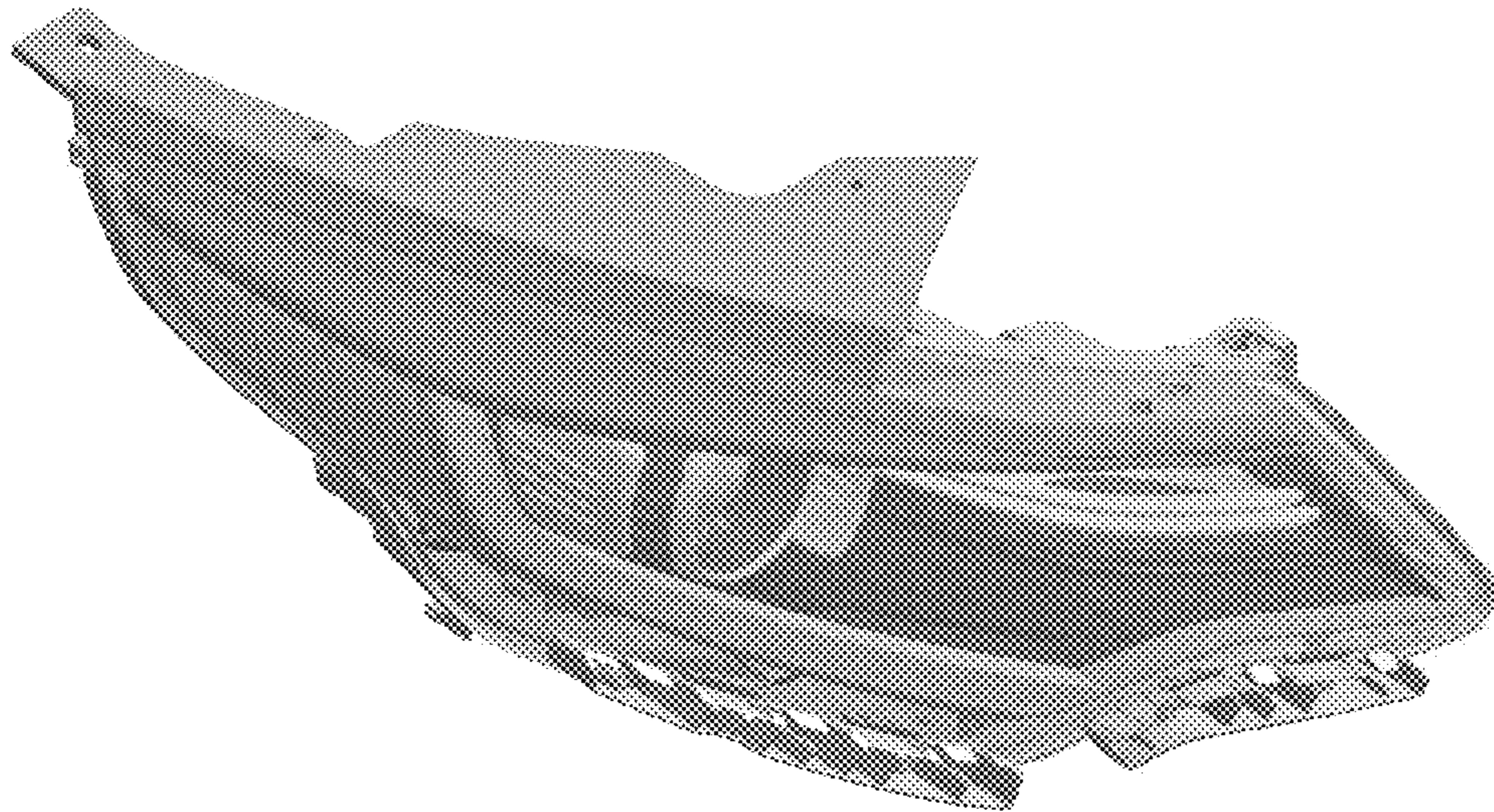


FIG. 2

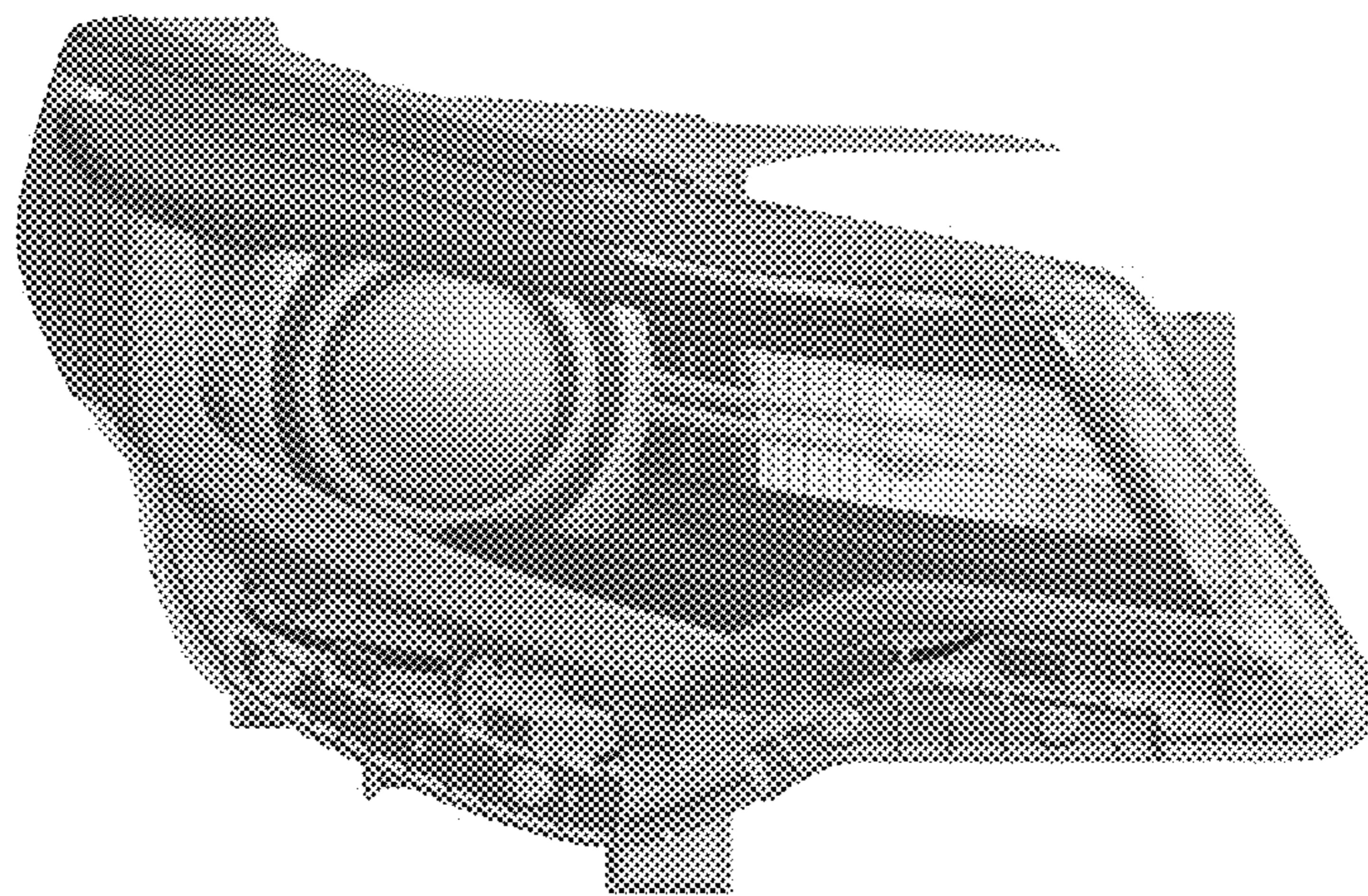


FIG. 3

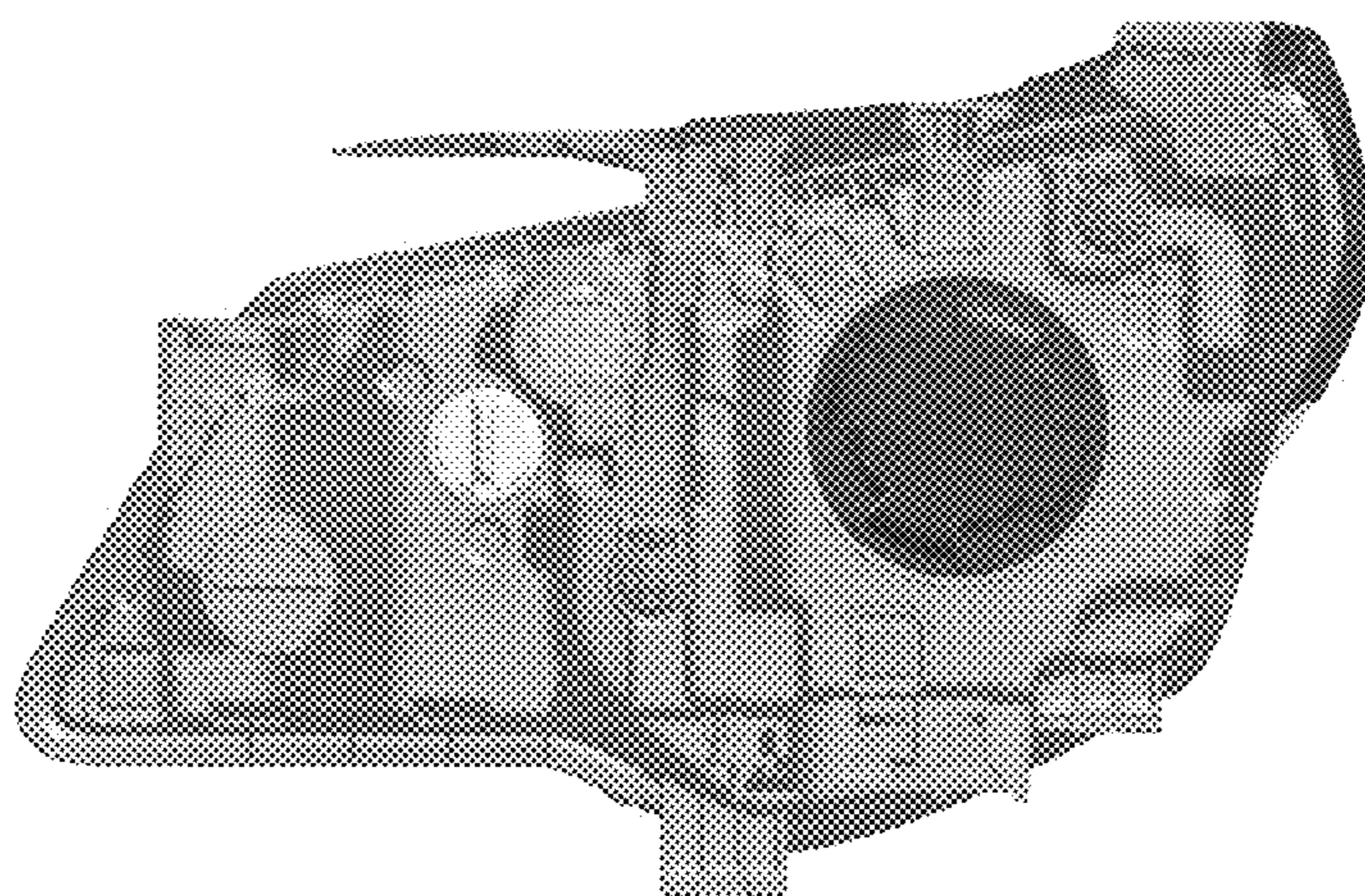


FIG. 4

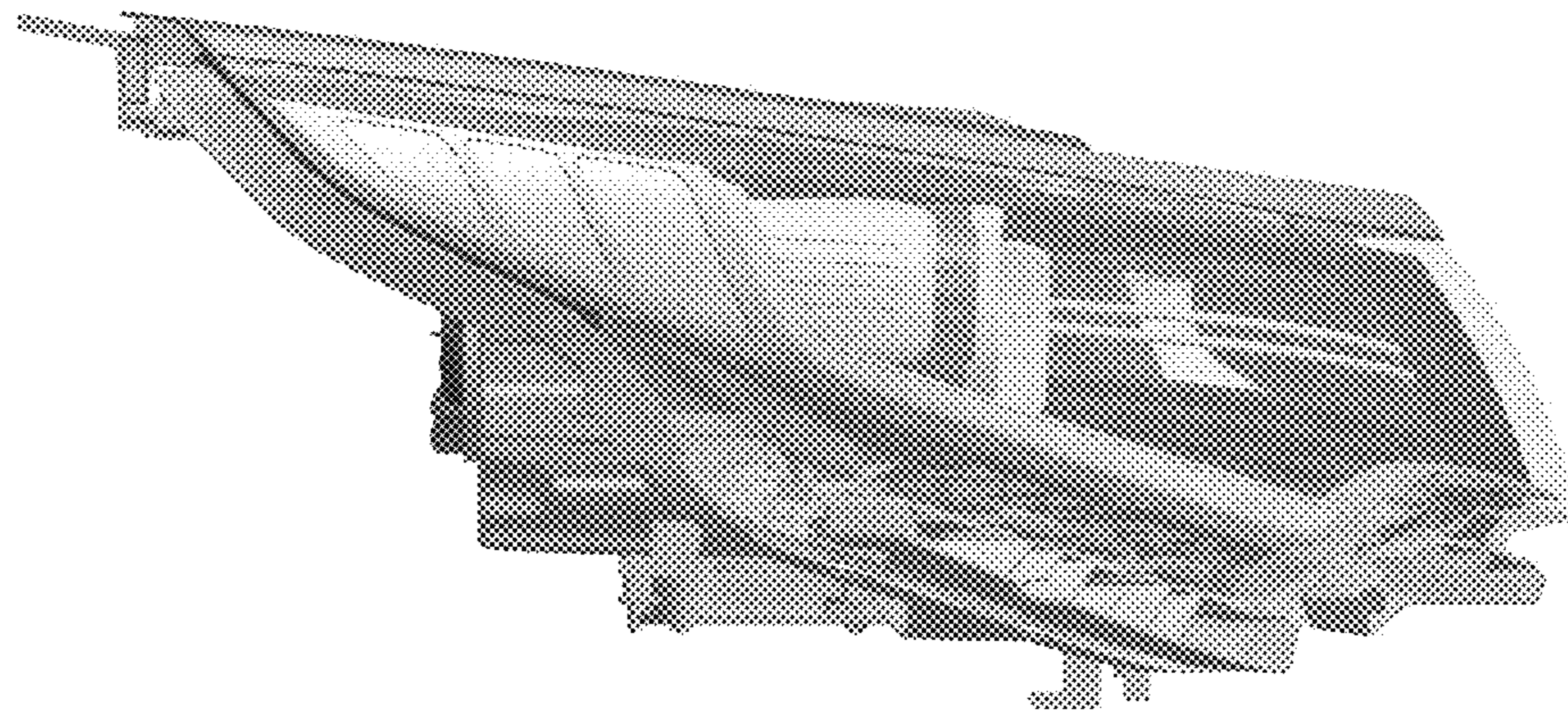


FIG. 5

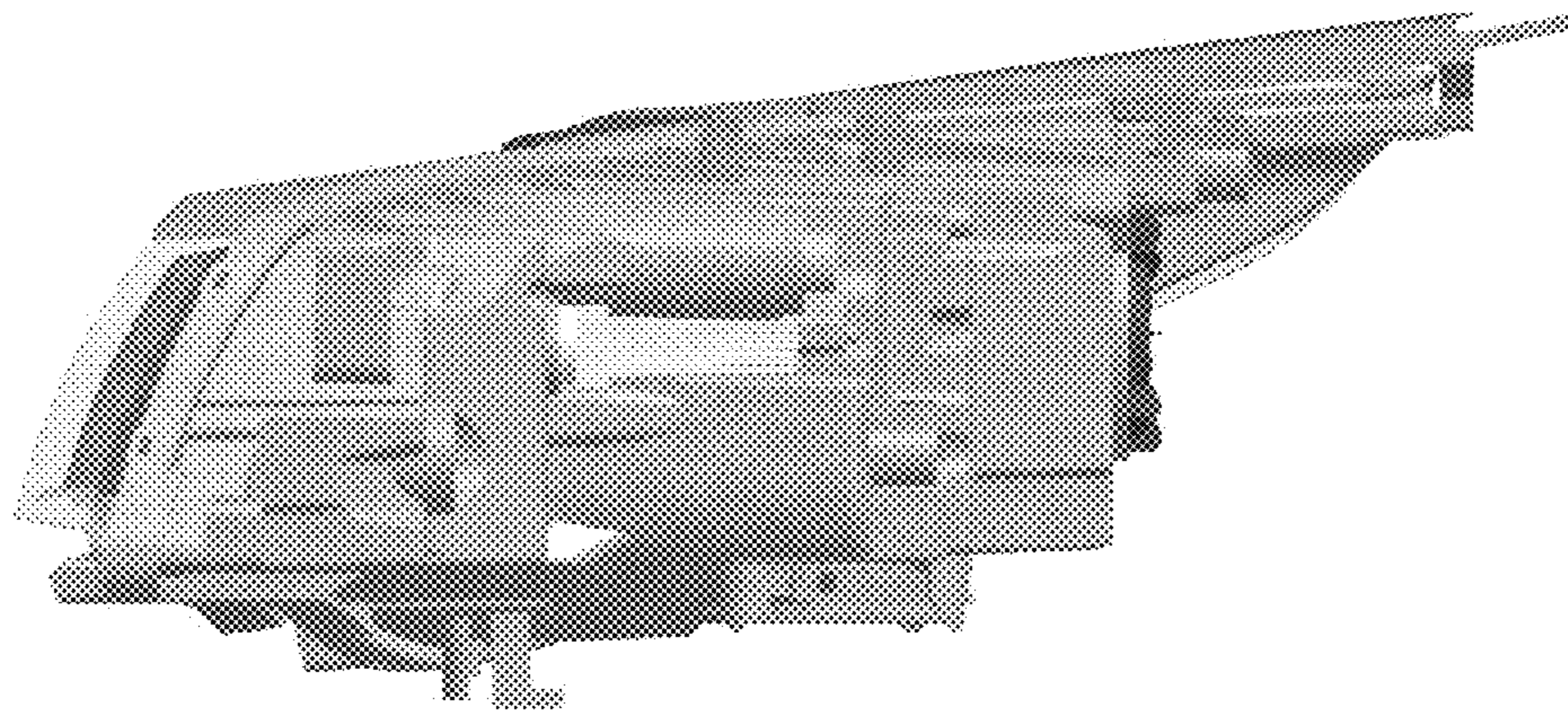


FIG. 6

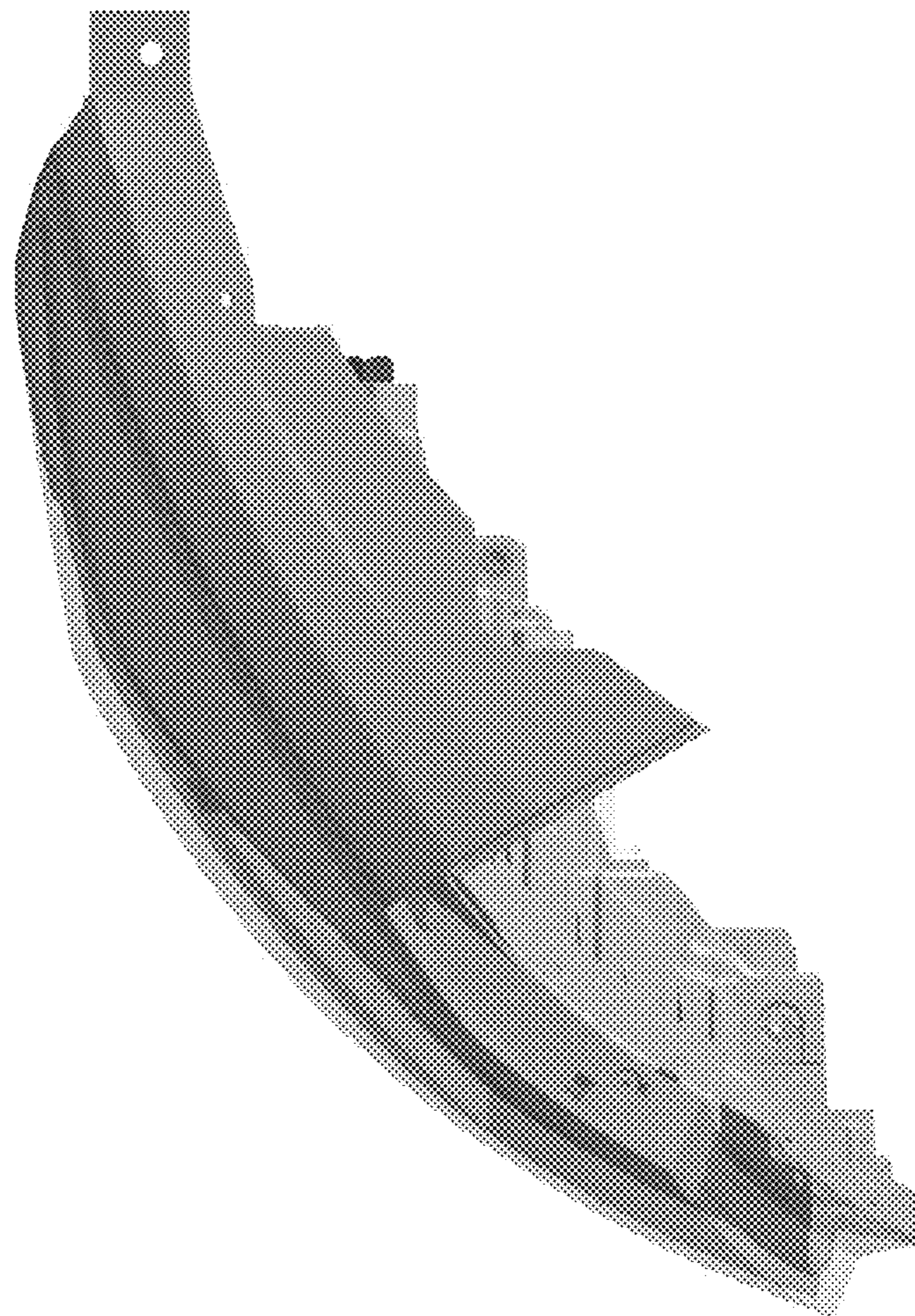


FIG. 7

