



US00D770648S

(12) **United States Design Patent** (10) **Patent No.:** **US D770,648 S**
Lai (45) **Date of Patent:** **** Nov. 1, 2016**

(54) **AUTOMOBILE FOG LIGHT**
(71) Applicant: **Ching-Tsung Lai**, Tainan (TW)
(72) Inventor: **Ching-Tsung Lai**, Tainan (TW)
(**) Term: **15 Years**
(21) Appl. No.: **29/534,249**

D567,973 S * 4/2008 Hsu D26/28
D690,041 S * 9/2013 Lai D26/28
D718,479 S * 11/2014 Lai D26/28
D743,070 S * 11/2015 Lai D26/28
D745,712 S * 12/2015 O'Donnell D26/28
D747,518 S * 1/2016 Lai D26/28
D749,757 S * 2/2016 Han D26/28
D750,817 S * 3/2016 Lin D26/28
D754,895 S * 4/2016 Wheel D26/28
D759,275 S * 6/2016 Hwang D26/28

* cited by examiner

(22) Filed: **Jul. 27, 2015**
(51) **LOC (10) Cl.** **26-06**
(52) **U.S. Cl.**
USPC **D26/28**
(58) **Field of Classification Search**
USPC D26/28-36; 362/459-468, 475-478,
362/485-487
CPC F21S 48/00; F21S 48/10; F21S 48/115;
F21S 48/225; F21S 48/1233; F21S 48/1266;
F21S 48/1388; F21S 48/2268; F21V 21/04
See application file for complete search history.

Primary Examiner — Angela J Lee

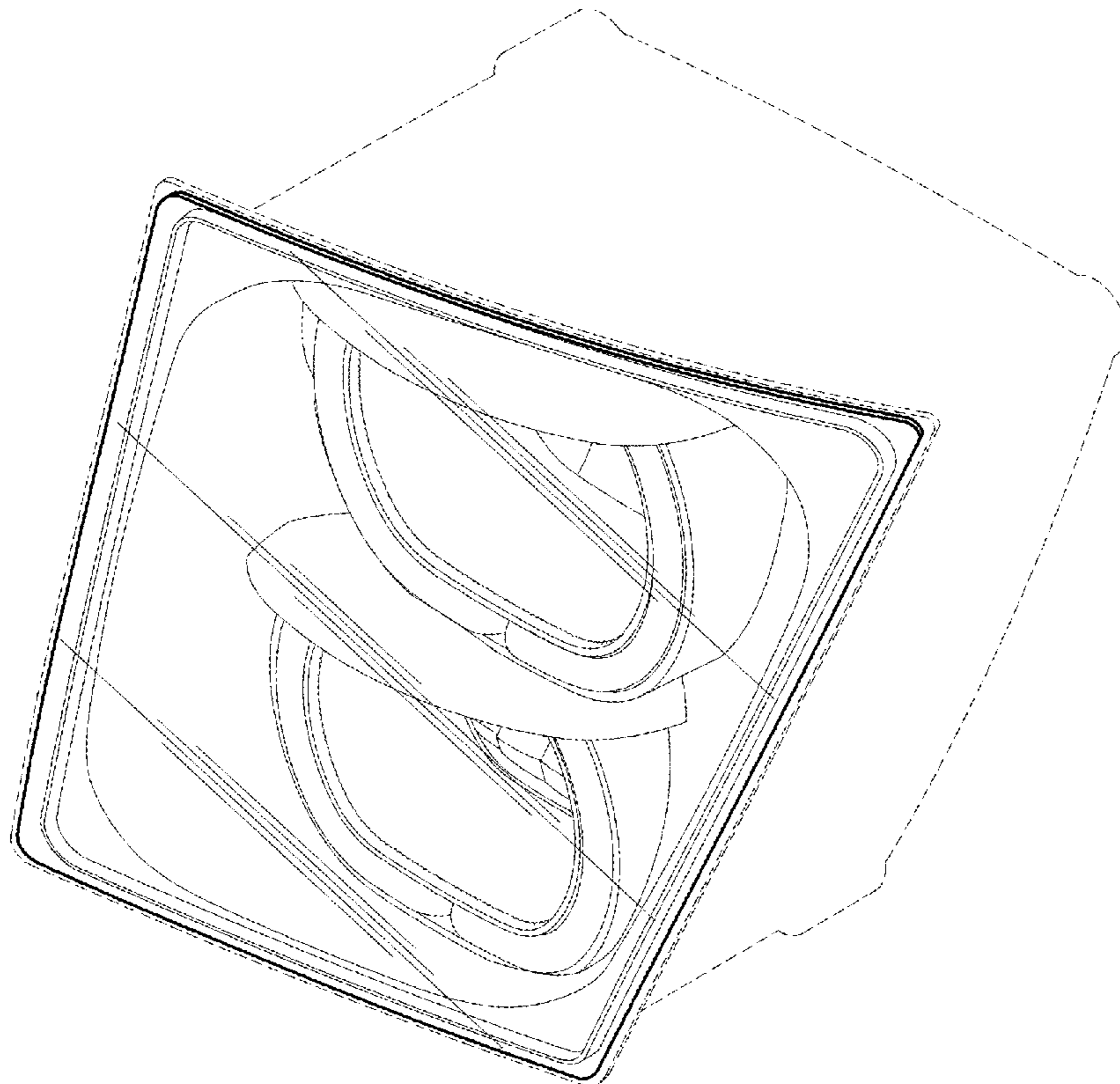
(57) **CLAIM**
The ornamental design for an automobile fog light, as shown and described.

DESCRIPTION

FIG. 1 is a perspective view of an automobile fog light. FIG. 2 is a front view thereof; FIG. 3 is a side view thereof; and, FIG. 4 is a top view thereof. The drawings and descriptions represent the first left side embodiment. A second embodiment is the mirror image of the first embodiment. The broken lines are included for environmental purposes and form no part of the claimed design.

(56) **References Cited**
U.S. PATENT DOCUMENTS
D476,435 S * 6/2003 Lin D26/28
D476,436 S * 6/2003 Lin D26/28
D497,016 S * 10/2004 Wu D26/28

1 Claim, 4 Drawing Sheets



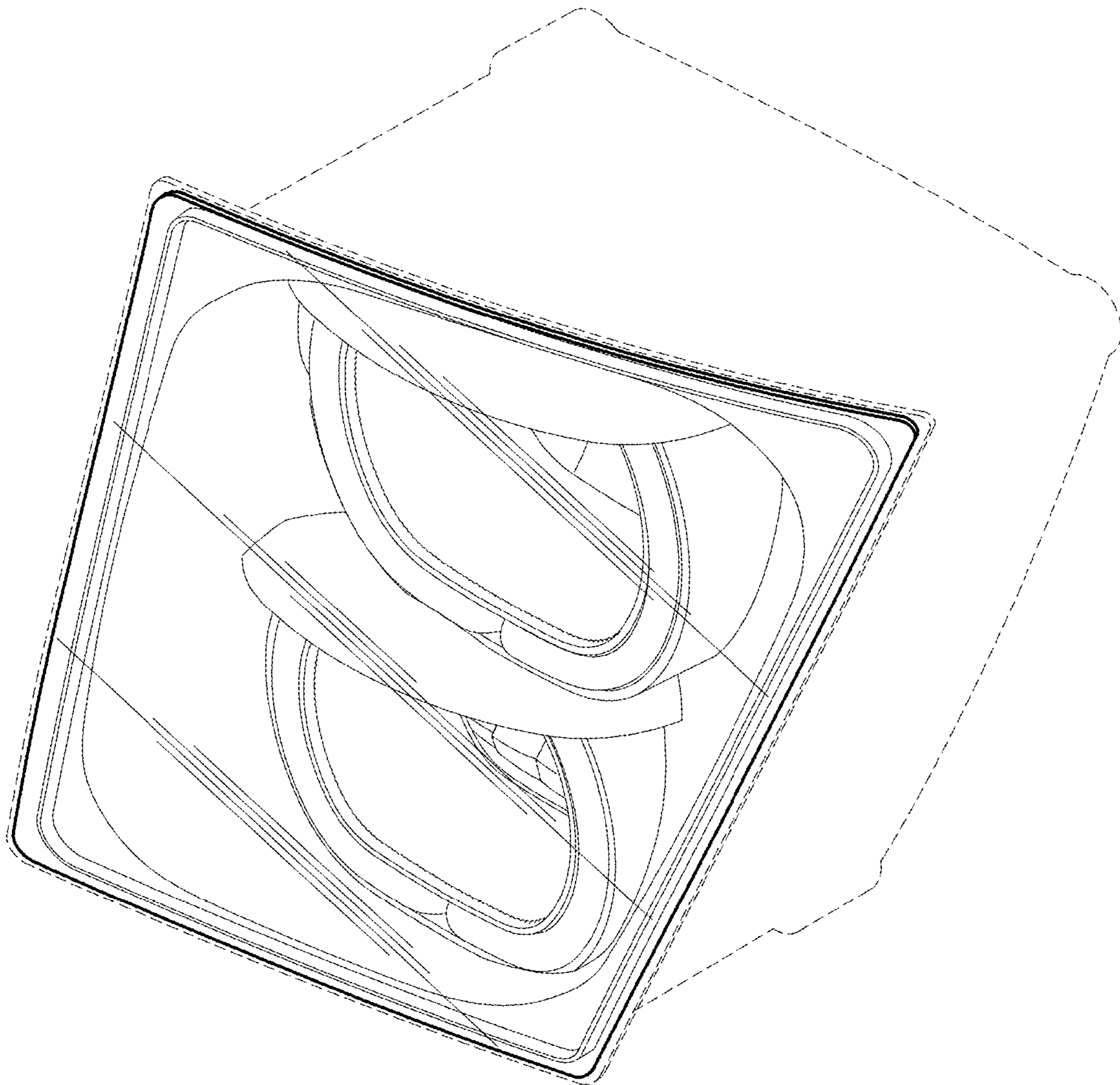


FIG. 1

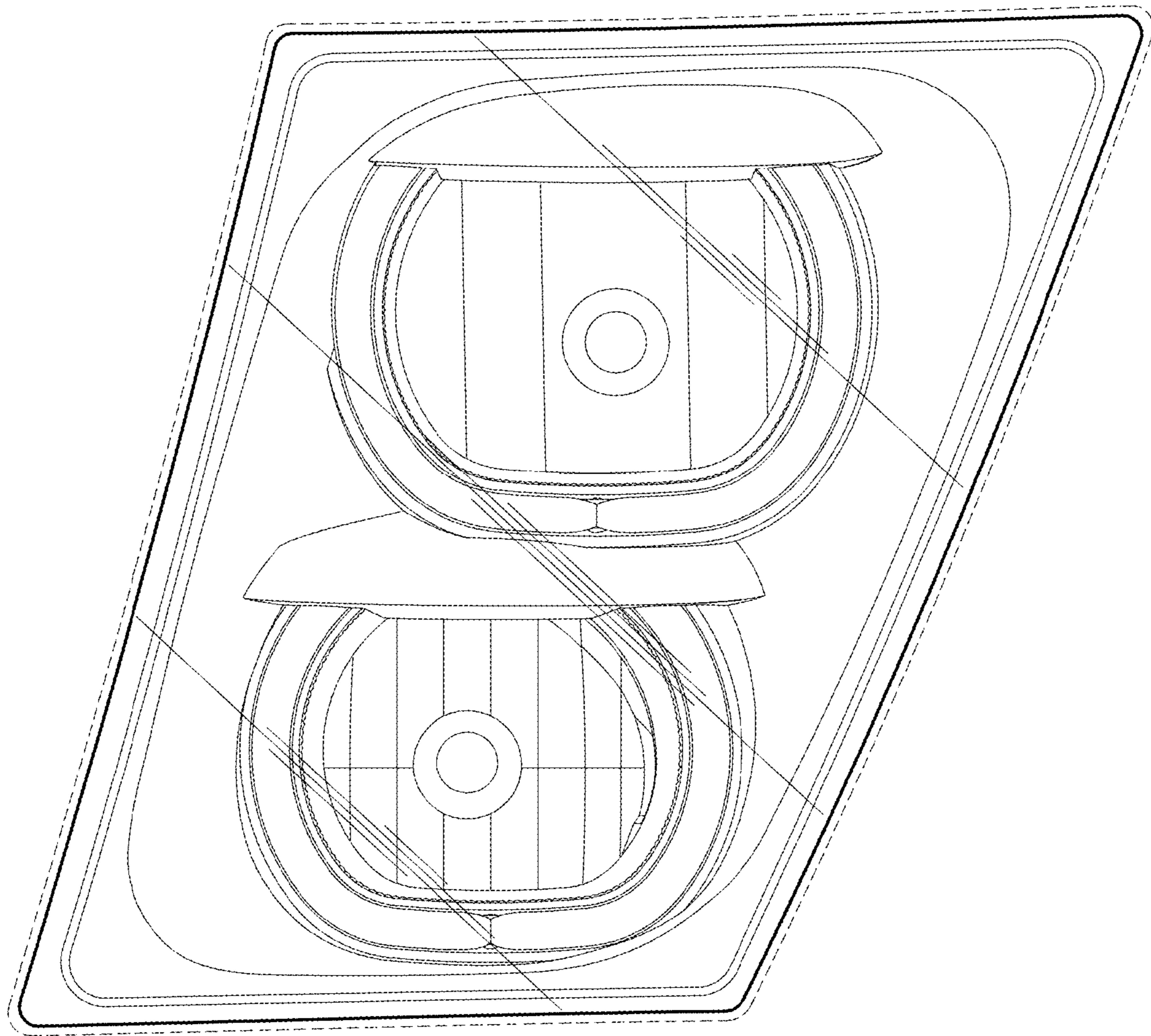


FIG. 2

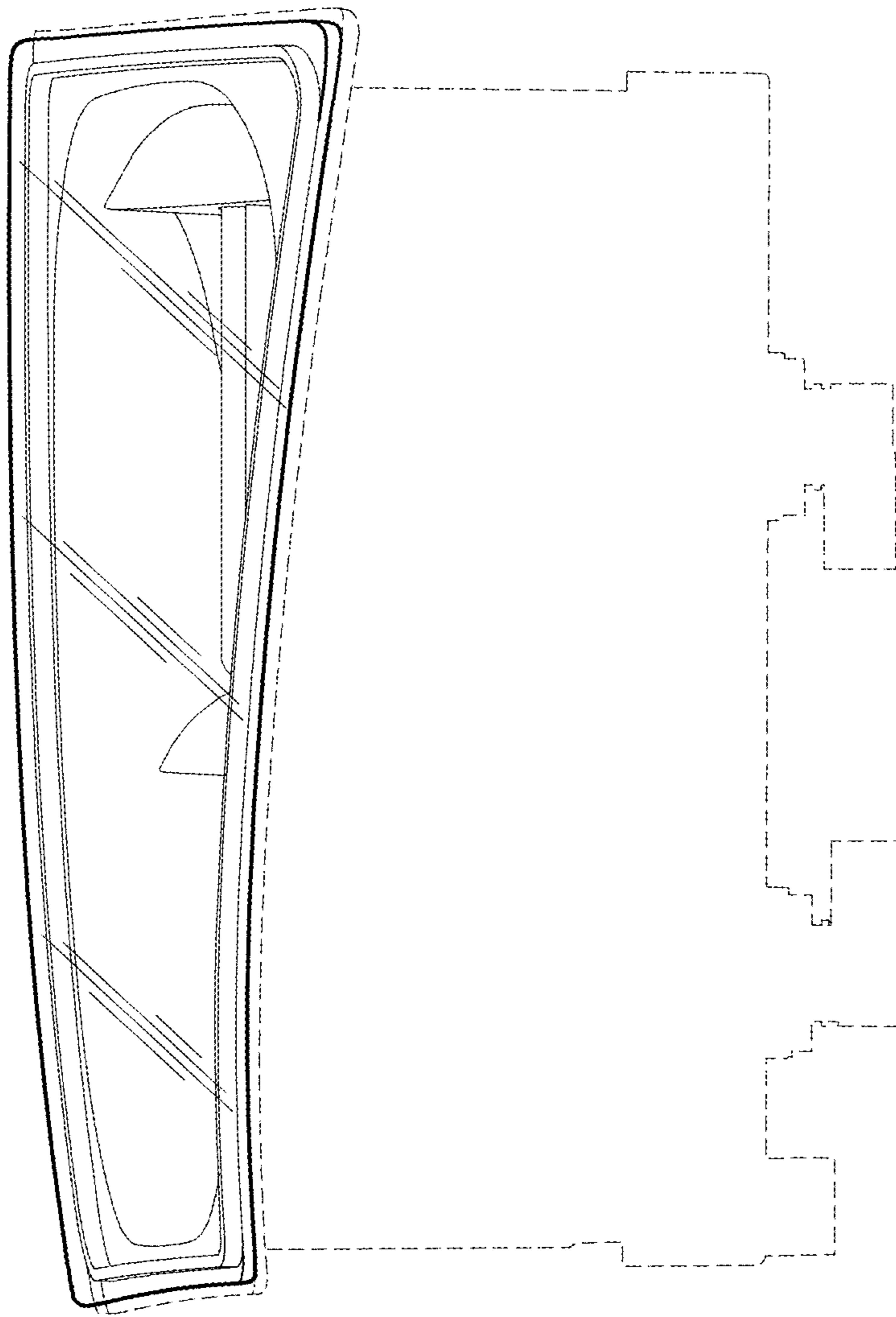


FIG. 3

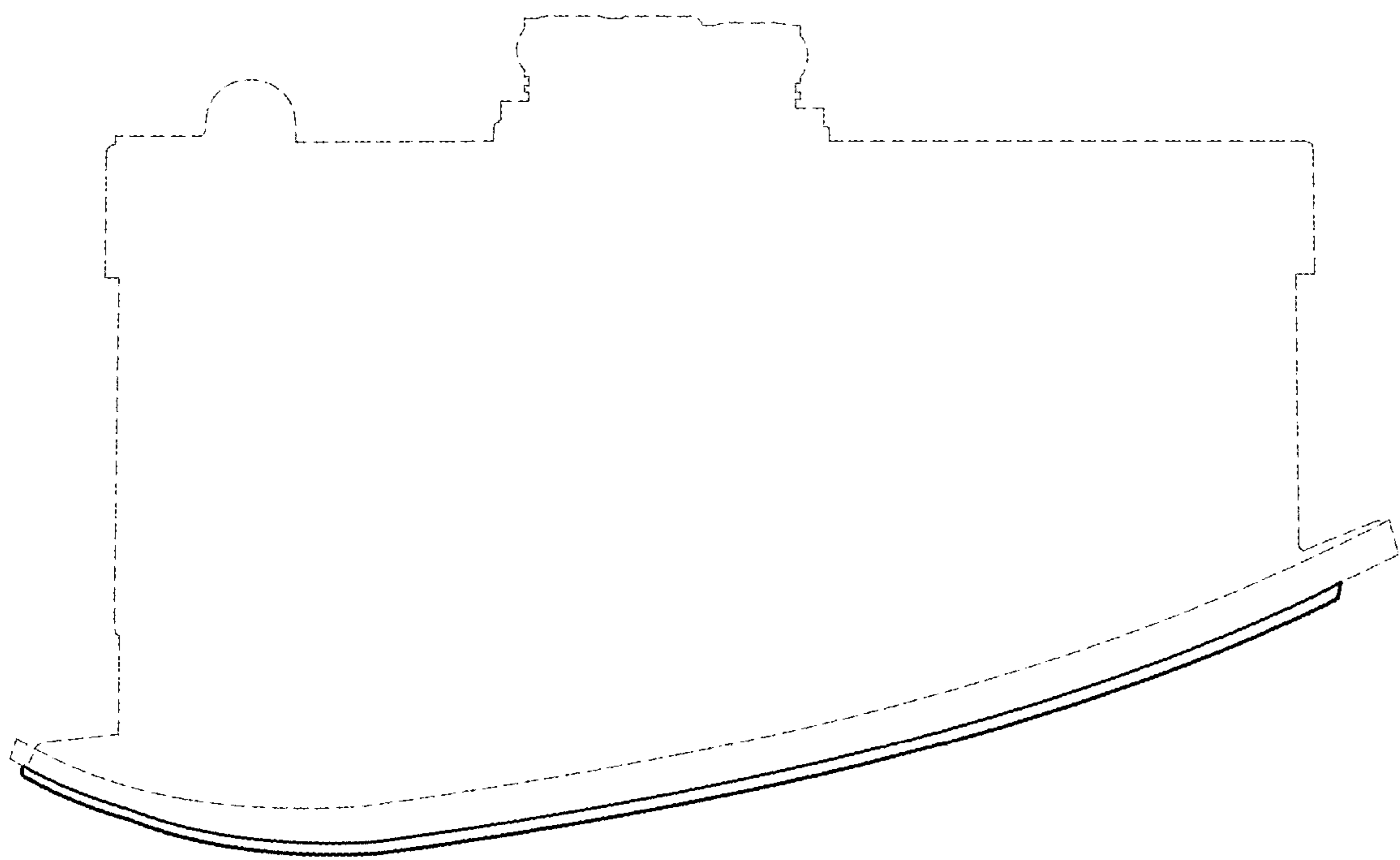


FIG. 4