



US00D770645S

(12) **United States Design Patent**
Kim et al.

(10) **Patent No.:** **US D770,645 S**

(45) **Date of Patent:** **** Nov. 1, 2016**

(54) **LED LAMP**

(71) Applicant: **WOOREE LIGHTING CO., LTD.**,
Gyeonggi-do (KR)

(72) Inventors: **Bo Ram Kim**, Gyeonggi-do (KR);
Jong Hwa Lee, Gyeonggi-do (KR)

(73) Assignee: **WOOREE LIGHTING CO., LTD.**,
Gyeonggi-Do (KR)

(**) Term: **14 Years**

(21) Appl. No.: **29/523,301**

(22) Filed: **Apr. 8, 2015**

(30) **Foreign Application Priority Data**

Mar. 20, 2015 (KR) 30-2015-0014292

(51) **LOC (10) Cl.** **26-04**

(52) **U.S. Cl.**
USPC **D26/2**

(58) **Field of Classification Search**
USPC D26/1-4; 313/313, 315, 316, 317, 318,
313/493; 315/52, 53, 56, 57, 58
CPC H01J 5/48; H01J 5/50; H01J 19/54;
F21V 5/00; F21K 9/13; F21K 9/135; F21K
9/1375
See application file for complete search history.

(56) **References Cited**

U.S. PATENT DOCUMENTS

D535,038 S 1/2007 Egawa D26/2
D646,406 S * 10/2011 Tsai D26/2
D667,969 S * 9/2012 Rioux D26/2

D670,414 S 11/2012 Guohui D26/2
D688,395 S 8/2013 Bukkems et al. D26/2
D698,050 S * 1/2014 Jiang D26/2
D698,051 S * 1/2014 Jiang D26/2
D705,456 S * 5/2014 Yan D26/2

* cited by examiner

Primary Examiner — Marcus Jackson

(74) *Attorney, Agent, or Firm* — Harness, Dickey &
Pierce, P.L.C.

(57) **CLAIM**

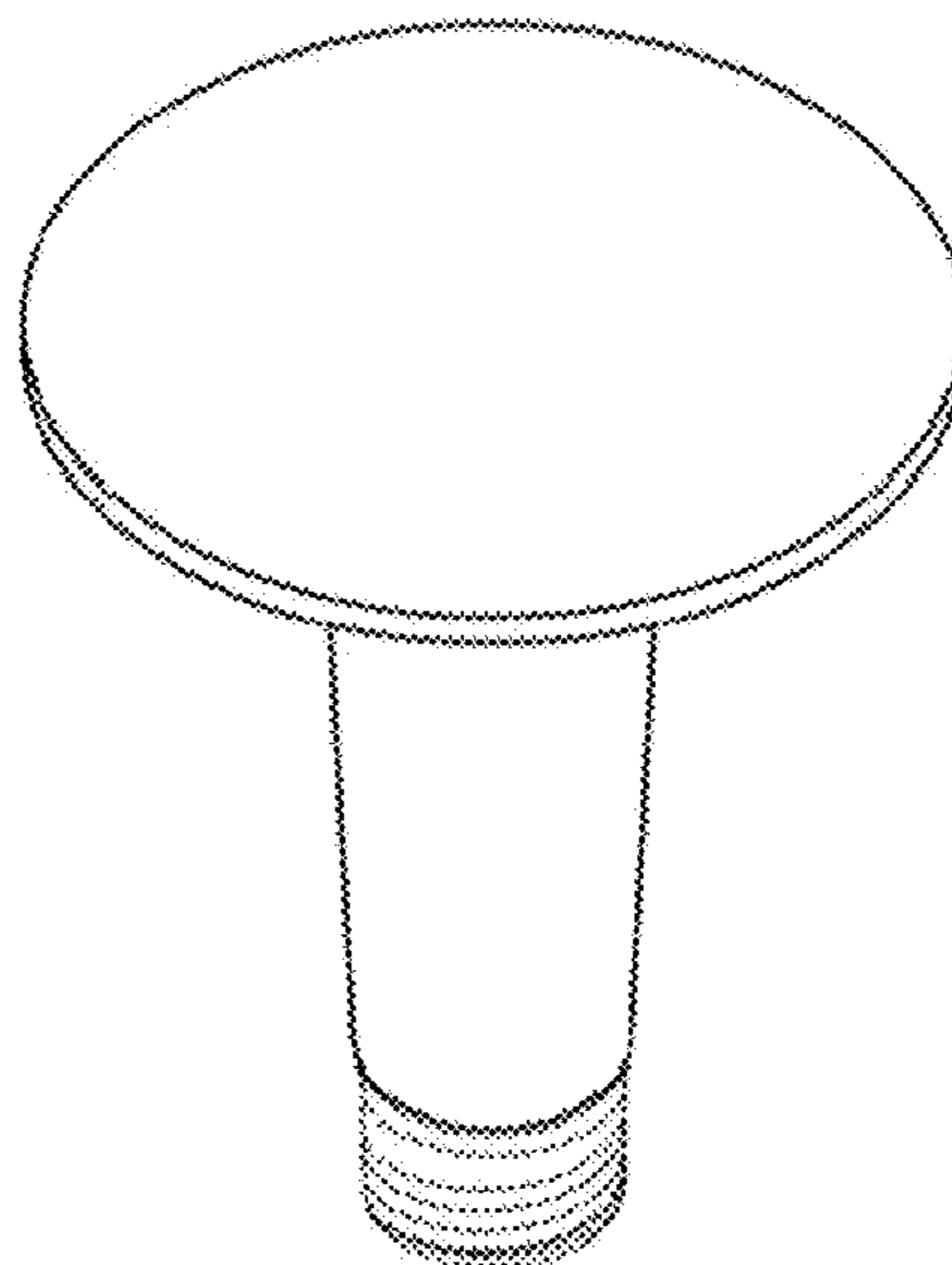
The new ornamental design is for a LED lamp, as shown and described.

DESCRIPTION

FIG. 1 is a perspective view of a LED lamp, showing our new design;
FIG. 2 is a front view thereof;
FIG. 3 is a rear view thereof;
FIG. 4 is a left side view thereof;
FIG. 5 is a right side view thereof;
FIG. 6 is a top view thereof; and,
FIG. 7 is a bottom view thereof.

The dashed lines show embellishments that do not form a part of the claimed design

1 Claim, 7 Drawing Sheets



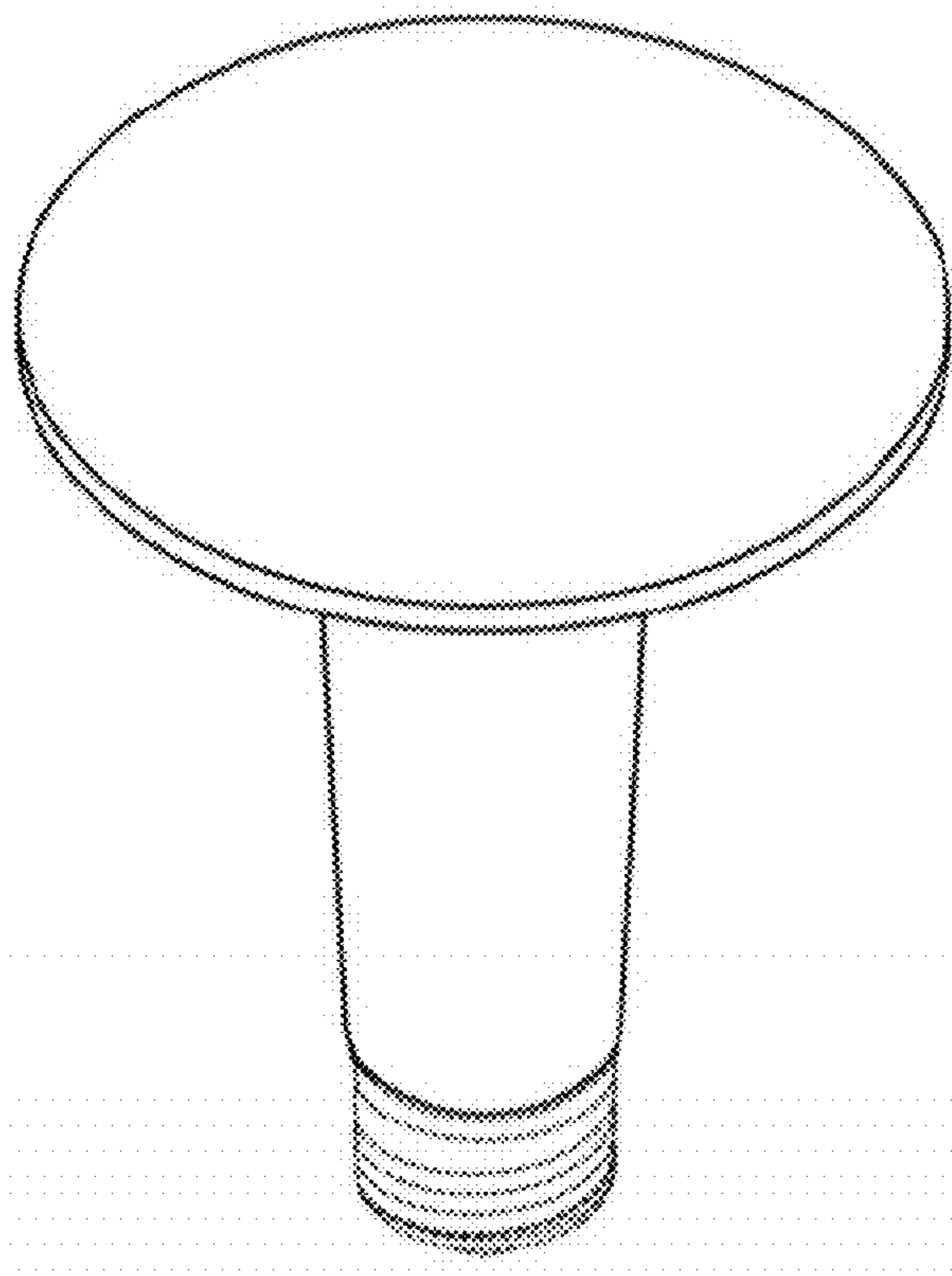


FIG. 1

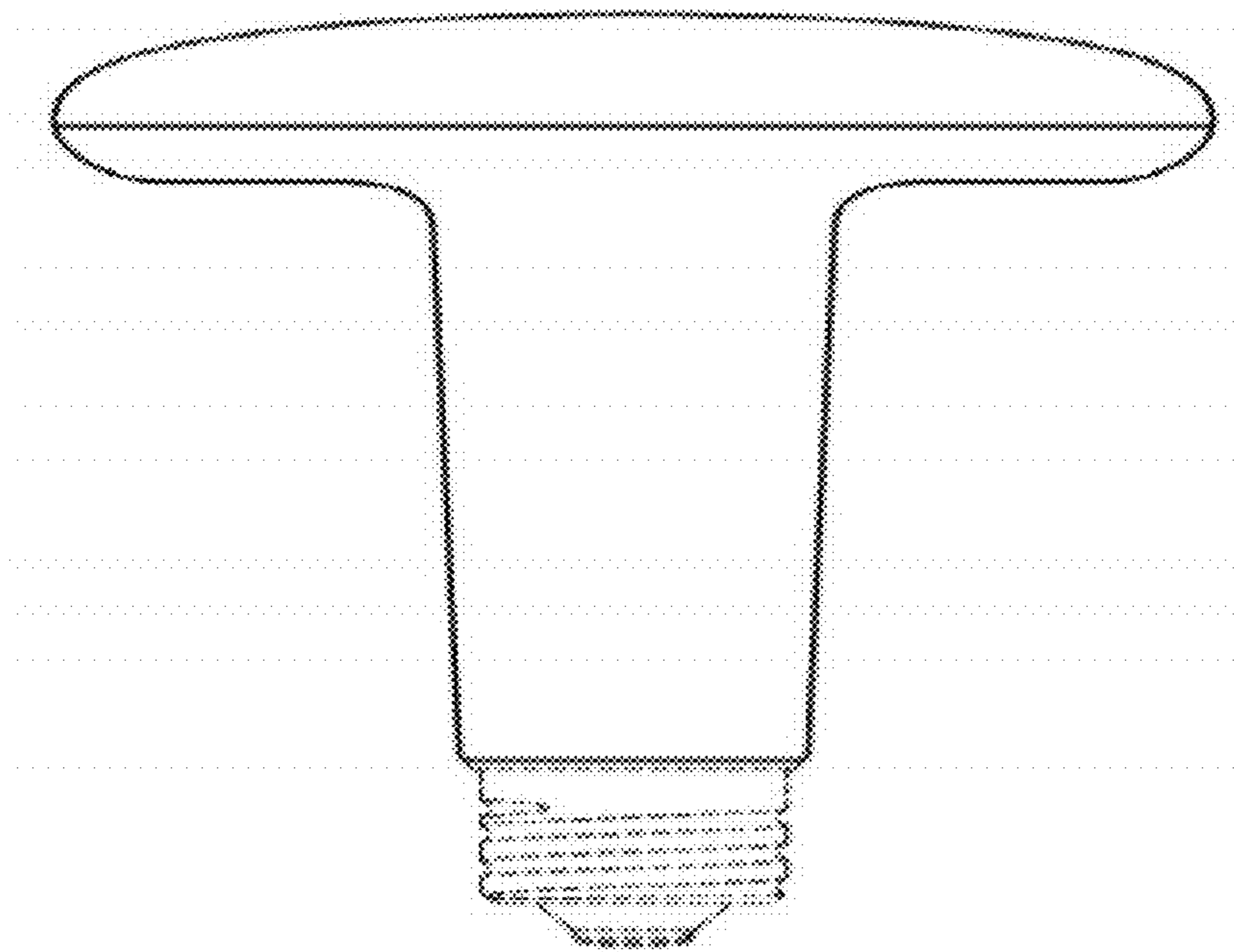


FIG. 2

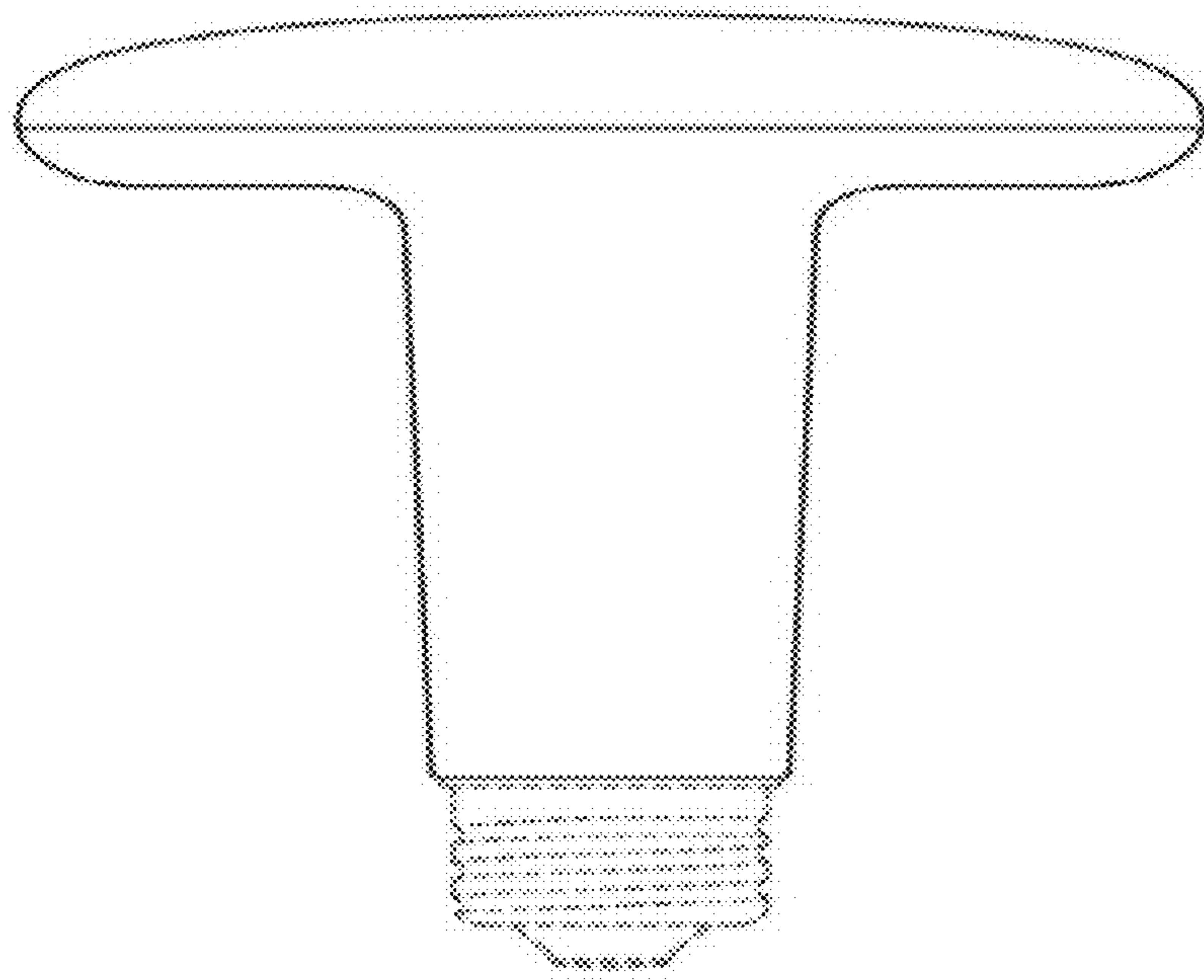


FIG. 3

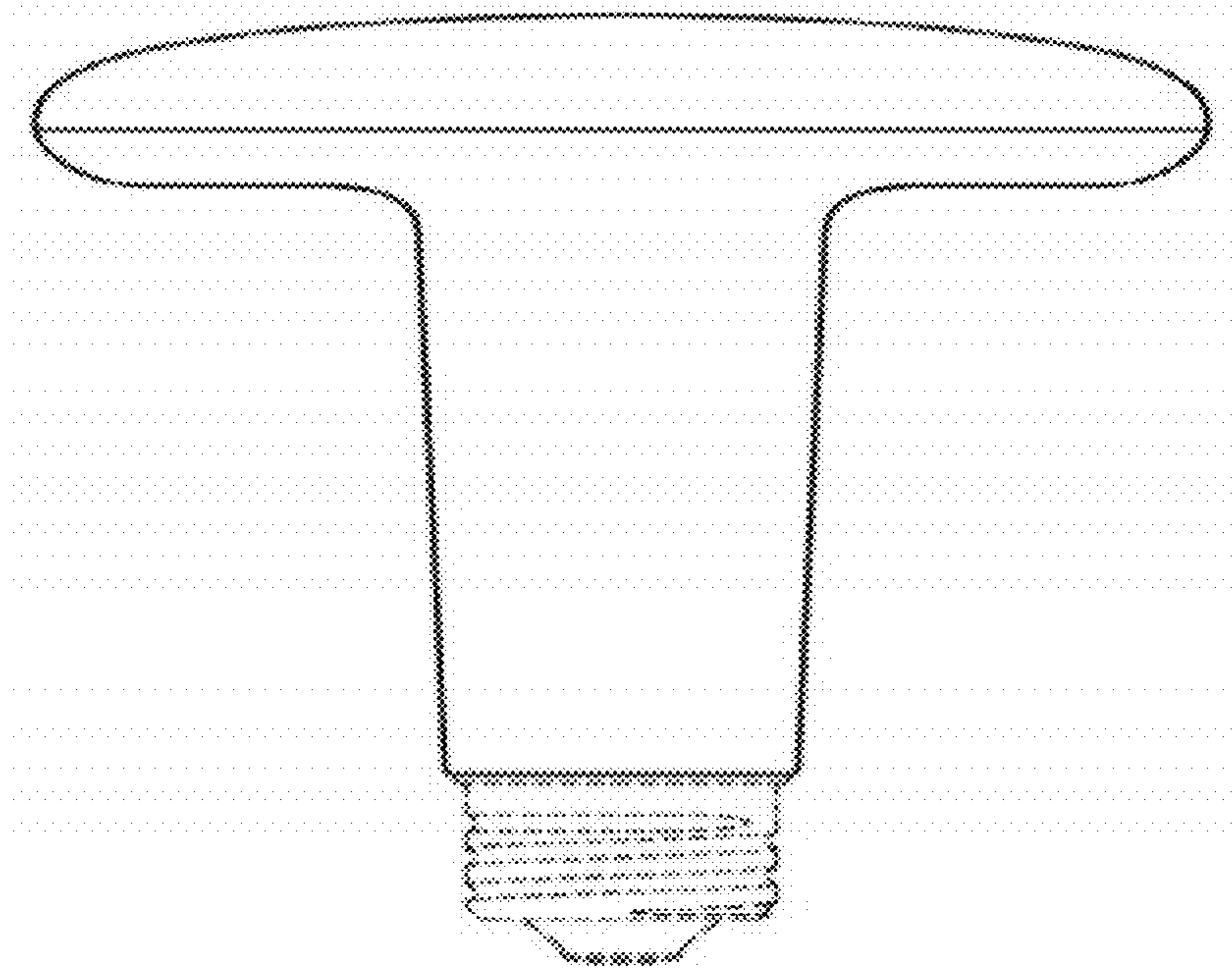


FIG. 4

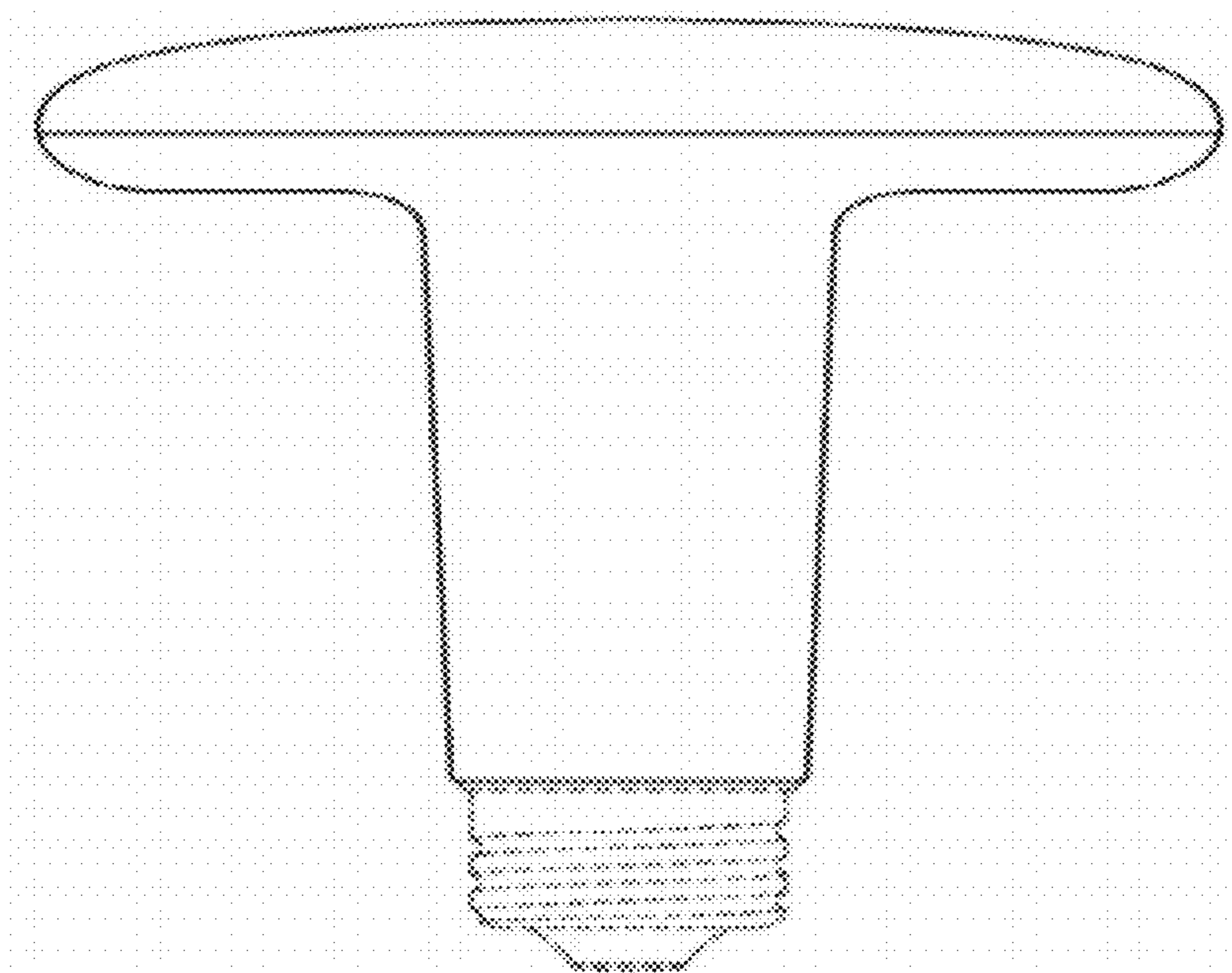


FIG. 5

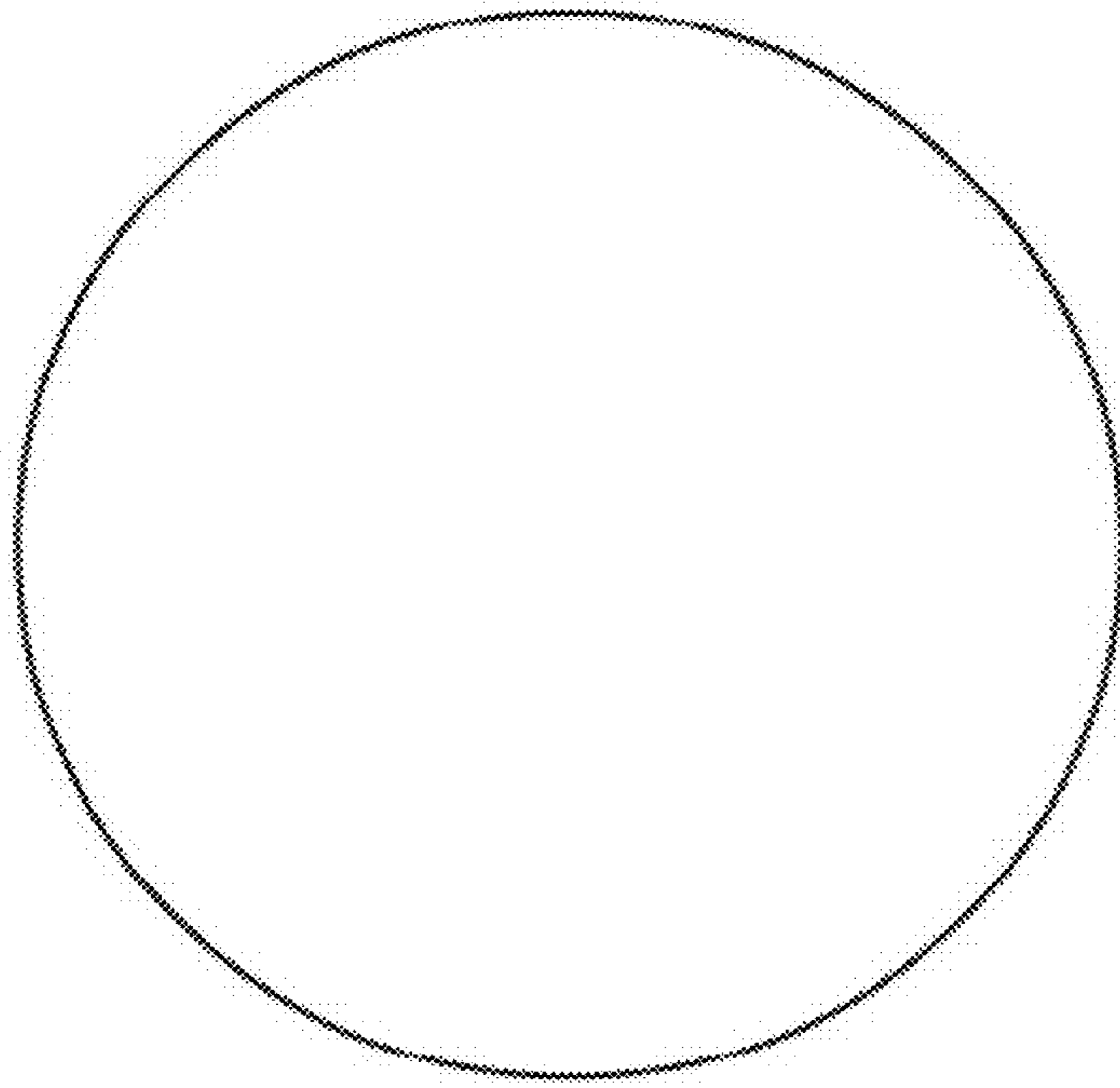


FIG. 6

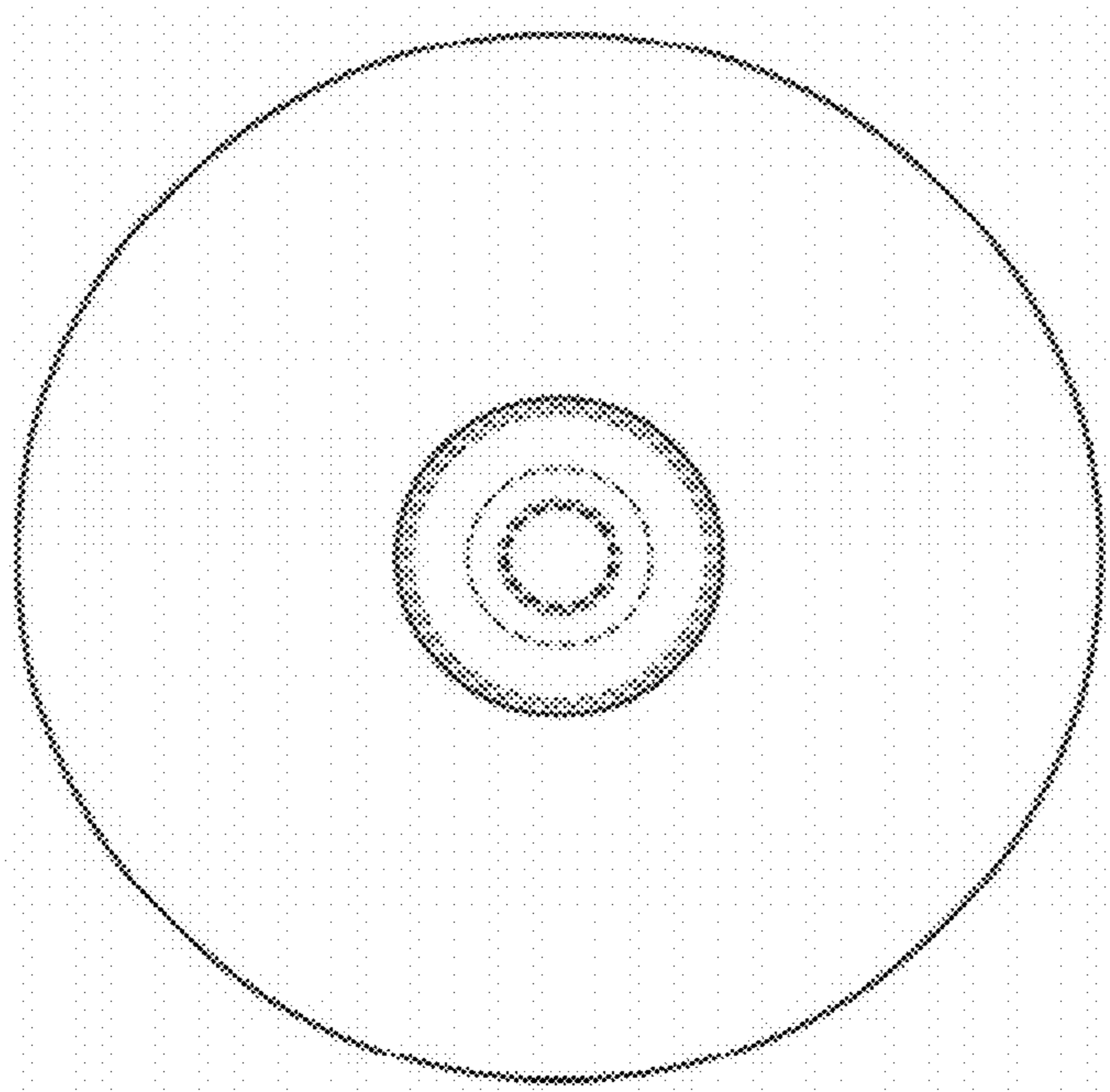


FIG. 7