



US00D770644S

(12) **United States Design Patent** (10) **Patent No.:** **US D770,644 S**
Baldoni et al. (45) **Date of Patent:** **** Nov. 1, 2016**

- (54) **MOLDING SUPPORT**
- (71) Applicant: **Concrete Countertop Solutions, Inc.**,
Clarks Summit, PA (US)
- (72) Inventors: **Edwin Joseph Baldoni**, Union Dale,
PA (US); **Dario Joseph Baldoni**,
Boston, MA (US)
- (73) Assignee: **CONCRETE COUNTERTOP
SOLUTIONS, INC.**, Clarks Summit,
PA (US)
- (**) Term: **14 Years**
- (21) Appl. No.: **29/494,712**
- (22) Filed: **Jun. 24, 2014**
- (51) **LOC (10) Cl.** **25-99**
- (52) **U.S. Cl.**
USPC **D25/199**
- (58) **Field of Classification Search**
USPC D25/2, 157, 199; 4/506; 52/102, 245,
52/246, 247; 156/60, 247, 506; 249/19, 83
See application file for complete search history.

(56) **References Cited**

U.S. PATENT DOCUMENTS

3,864,887	A *	2/1975	Arens	E04F 19/10 4/506
4,050,104	A *	9/1977	Baker	E04H 4/1227 4/510
D258,618	S *	3/1981	Cribben	D25/125
4,574,017	A	3/1986	Stegmeier		
5,695,586	A *	12/1997	Stegmeier	B29C 33/14 156/245
D397,810	S *	9/1998	Basset	D25/199
D399,573	S *	10/1998	Stegmeier	D25/119
D437,945	S *	2/2001	Mast	D25/199
6,332,599	B1 *	12/2001	Spartz	E02D 27/02 249/33

6,662,383	B2	12/2003	Cornelius et al.		
6,758,025	B2	7/2004	Haberler		
7,546,713	B2	6/2009	Bradley		
8,146,309	B1 *	4/2012	Logemann	E01C 11/106 404/64
D689,208	S *	9/2013	Crocker	D25/125
D700,717	S *	3/2014	Campacci	D25/119
2005/0091738	A1 *	5/2005	Smith	E04H 4/142 4/506
2006/0207008	A1	9/2006	Stancill		

* cited by examiner

Primary Examiner — Garth Rademaker

Assistant Examiner — Samantha Q Lawrence

(74) *Attorney, Agent, or Firm* — Morgan, Lewis & Bockius LLP

(57) **CLAIM**

The ornamental design for a molding support, as shown and described.

DESCRIPTION

FIG. 1 is a front perspective view of a molding support in accordance with our new design;

FIG. 2 is a top plan view of the molding support shown in FIG. 1;

FIG. 3 is a bottom plan view of the molding support shown in FIG. 1;

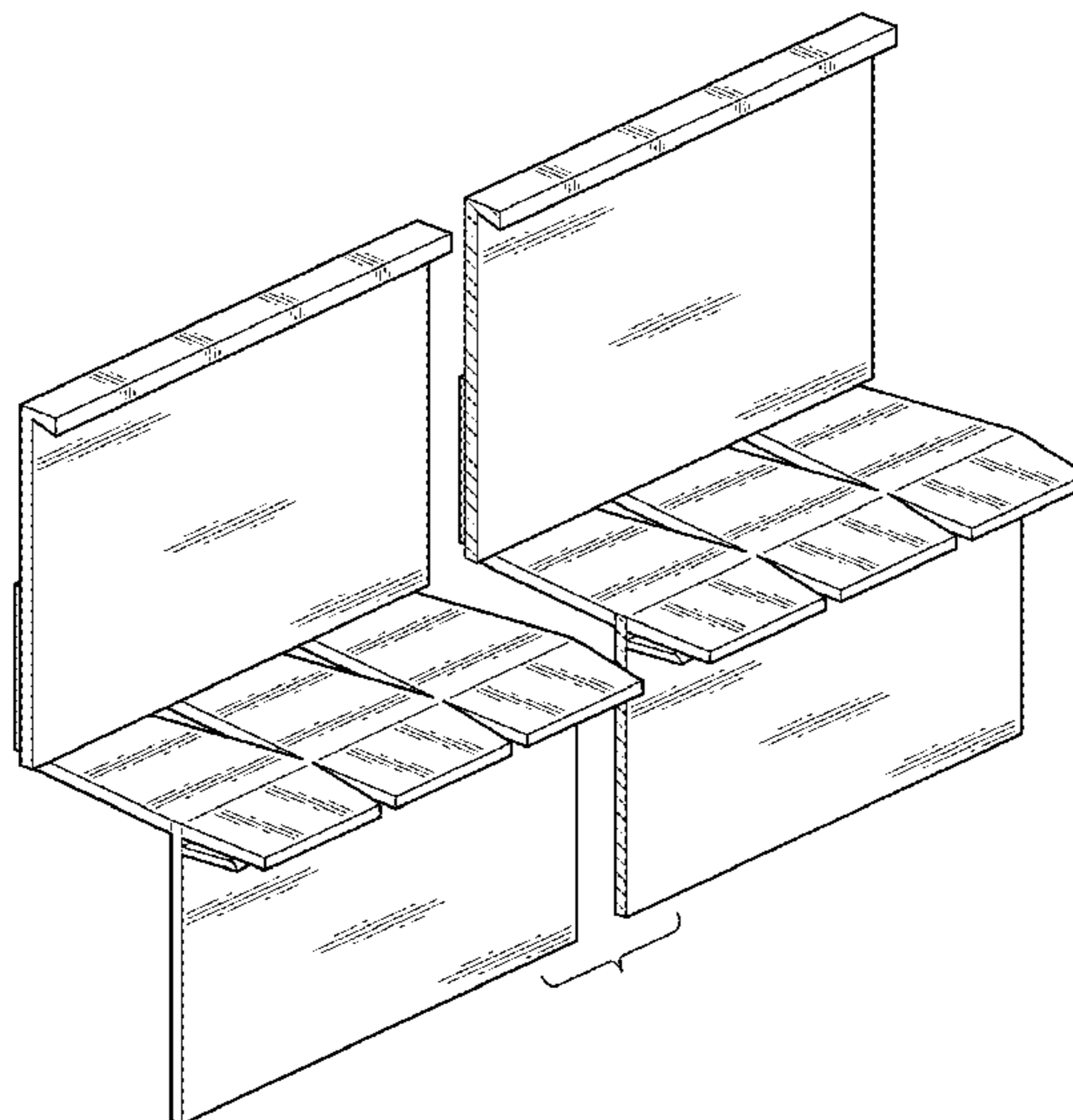
FIG. 4 is a right-side elevational view of the molding support shown in FIG. 1 the left-side being a mirror image;

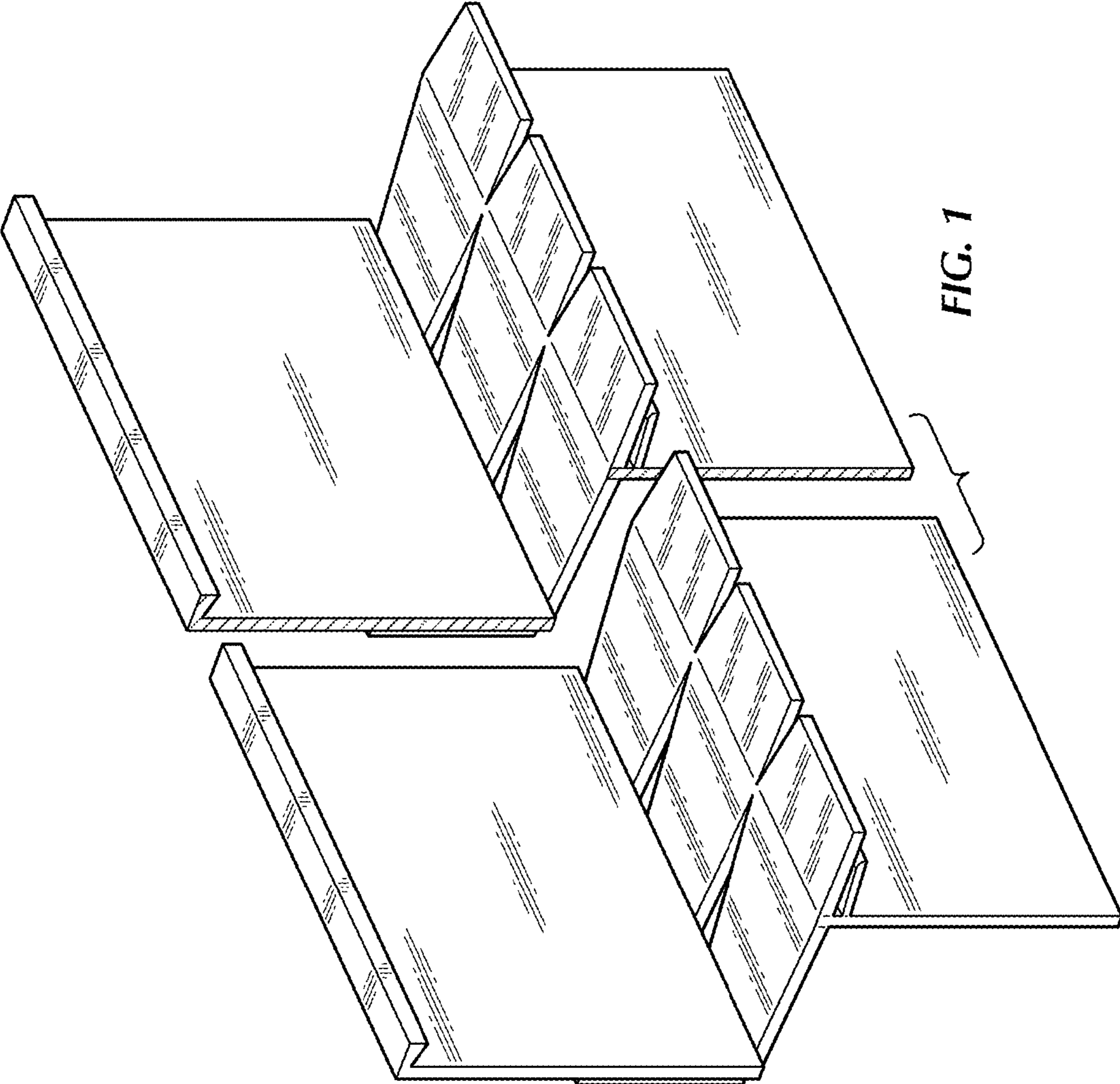
FIG. 5 is a front elevational view of the molding support shown in FIG. 1; and,

FIG. 6 is a rear elevational view of the molding support shown in FIG. 1.

The molding support is shown with a symbolic break in its length. The appearance of any portion of the article between the break lines forms no part of the claimed design.

1 Claim, 6 Drawing Sheets





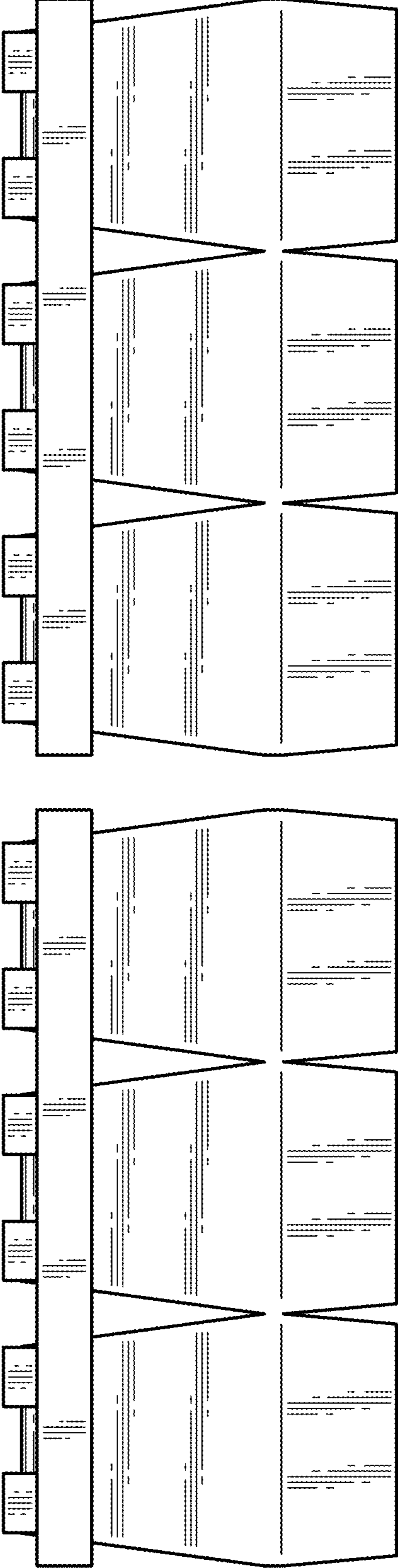


FIG. 2

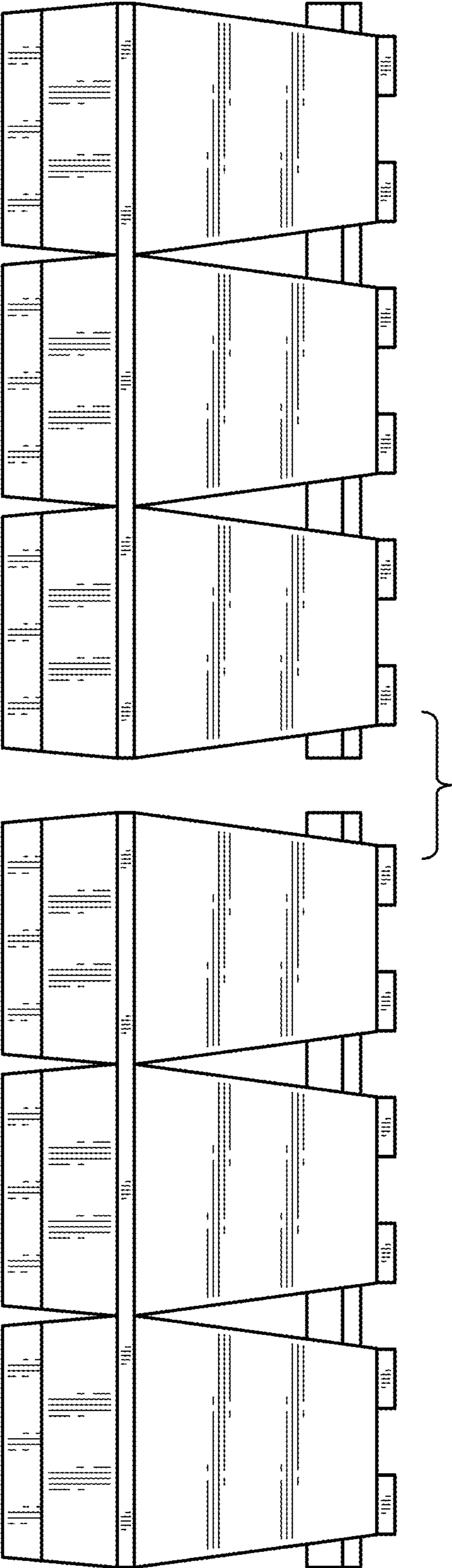


FIG. 3

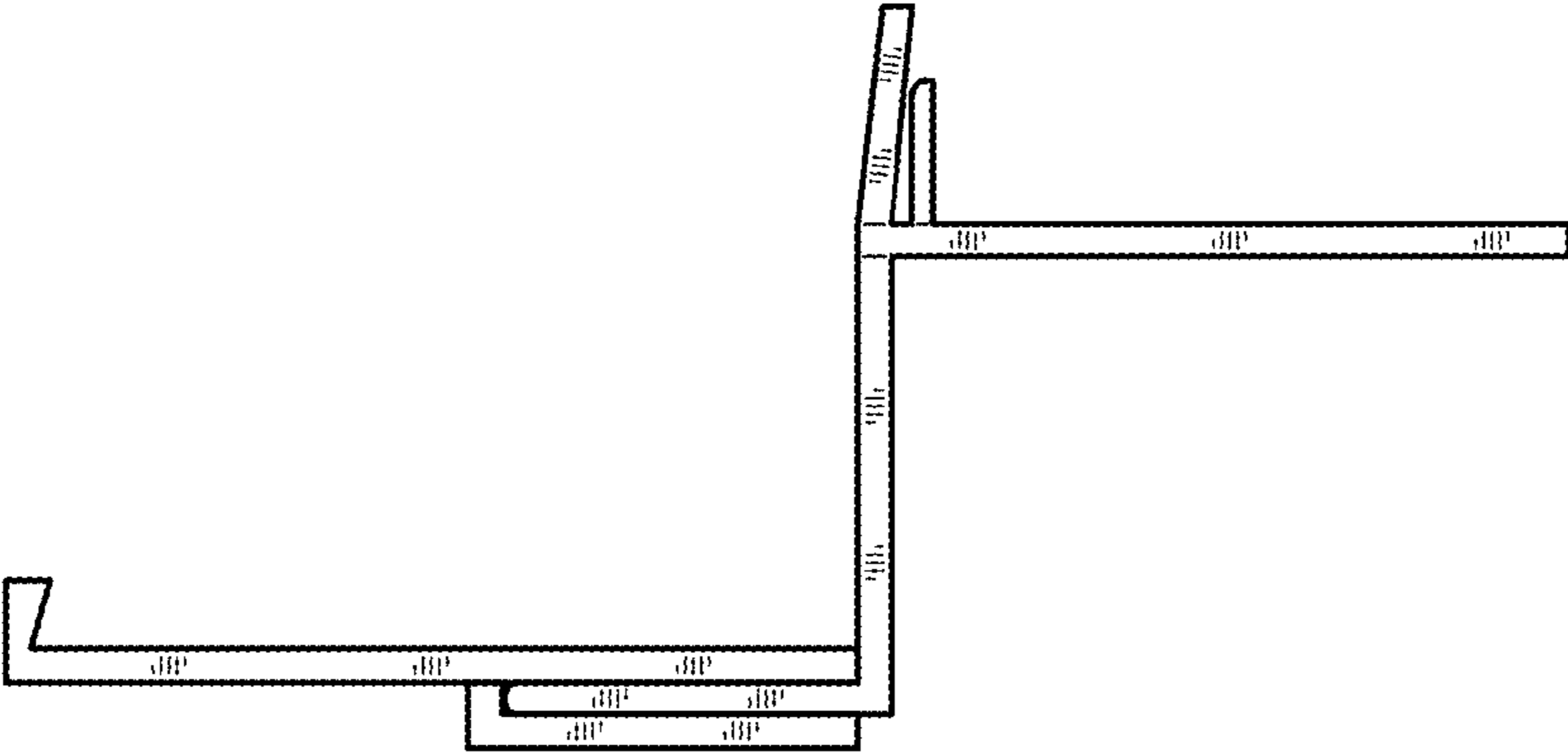


FIG. 4

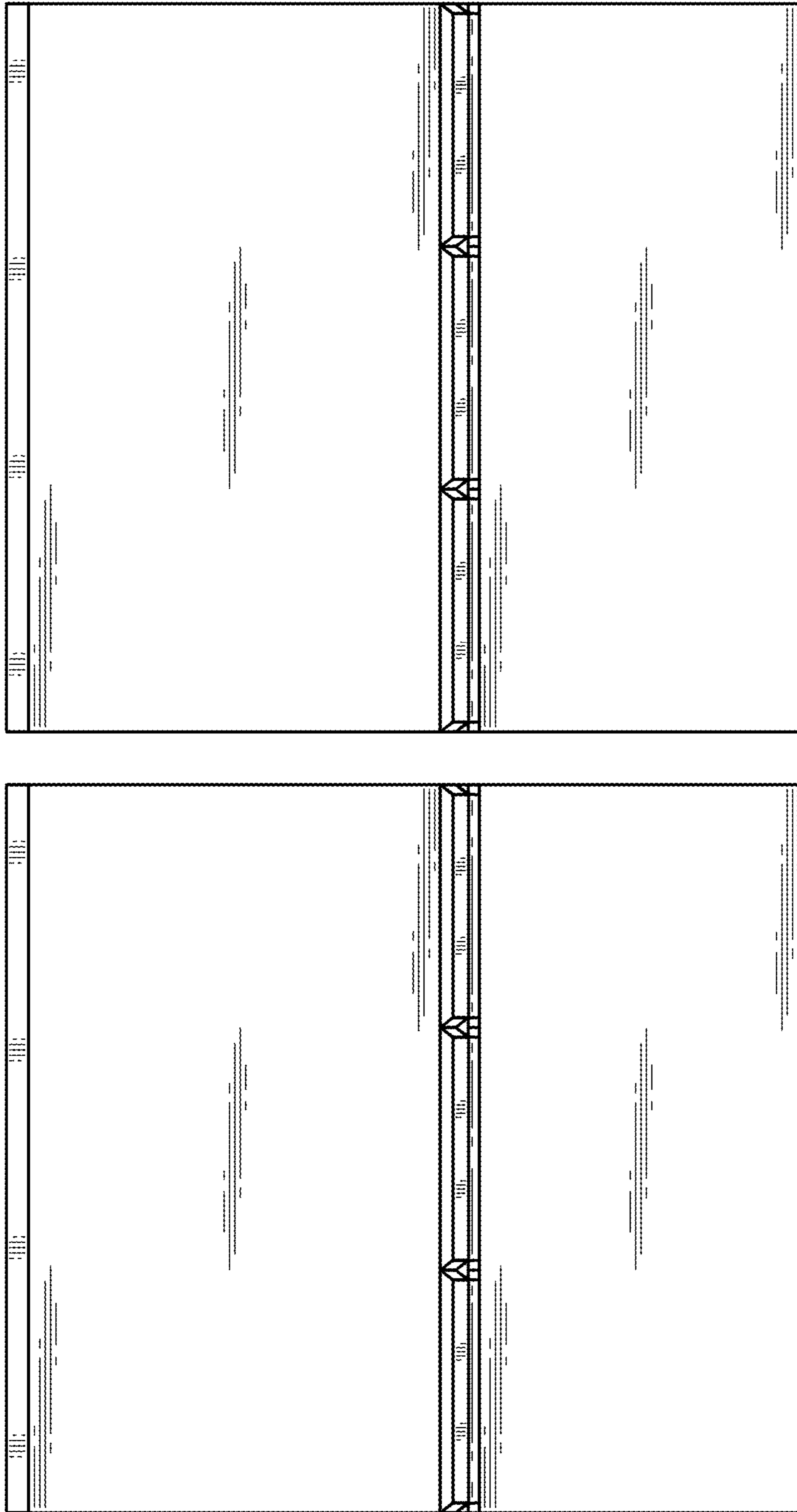


FIG. 5

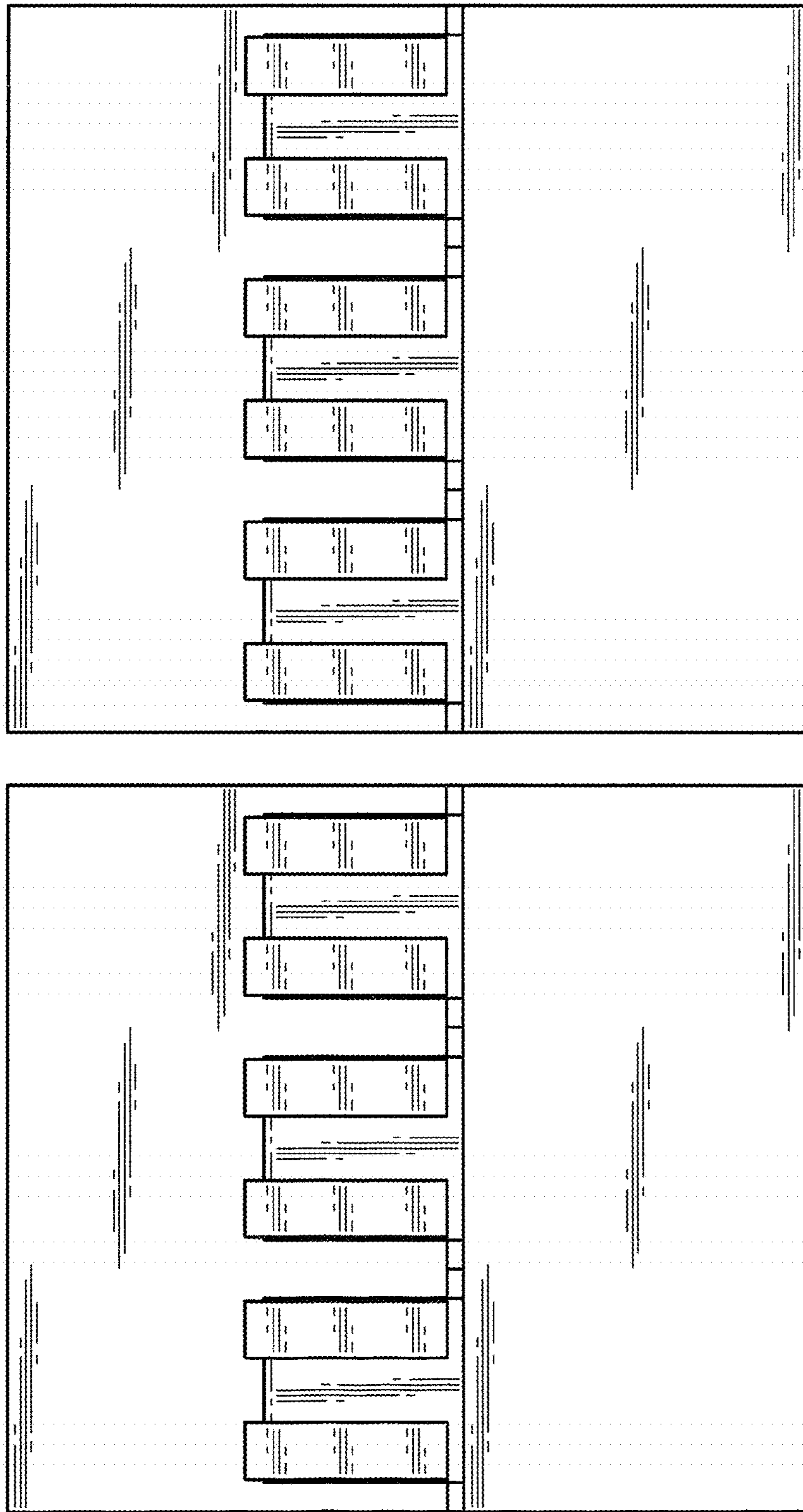


FIG. 6