



US00D770643S

(12) **United States Design Patent**
Shargani

(10) **Patent No.:** **US D770,643 S**

(45) **Date of Patent:** **** Nov. 1, 2016**

(54) **ROD FOR CANOPY**

(71) Applicant: **Afshin Shargani**, Los Angeles, CA
(US)

(72) Inventor: **Afshin Shargani**, Los Angeles, CA
(US)

(**) Term: **14 Years**

(21) Appl. No.: **29/502,729**

(22) Filed: **Sep. 18, 2014**

Related U.S. Application Data

(63) Continuation of application No. 14/448,825, filed on
Jul. 31, 2014, now Pat. No. 9,255,441.

(51) **LOC (10) Cl.** **25-01**

(52) **U.S. Cl.**
USPC **D25/119**

(58) **Field of Classification Search**
USPC D25/38.1, 39, 40, 41.1, 42, 43, 44,
D25/119-124, 126; D20/42, 43, 44; D34/35
CPC E06B 1/36; E06B 1/702; E06B 1/366;
E06B 1/524; E06B 1/68; E06B 1/006;
E06B 1/04; E06B 1/26; E06B 1/28; E06B
2001/628; E06B 3/66; E06B 2003/2615
See application file for complete search history.

(56) **References Cited**

U.S. PATENT DOCUMENTS

D206,265 S * 11/1966 Shea D25/119
D214,085 S * 5/1969 Fremdling D25/122
D242,035 S * 10/1976 Drawsky D25/119

D242,138 S * 11/1976 Drawski D25/119
D267,277 S * 12/1982 Goldhaber D25/119
D270,186 S * 8/1983 Jones D25/119
D270,288 S * 8/1983 Smith D25/119
D459,975 S * 7/2002 Dinh D25/119
D463,578 S * 9/2002 Wall D25/121
D471,083 S * 3/2003 Wall D25/119
6,532,625 B1 * 3/2003 Stone A47H 1/06
16/87.4 R
D472,455 S * 4/2003 Wall D25/119
D479,798 S * 9/2003 Wall D25/119
D479,983 S * 9/2003 Wall D25/119
D668,355 S * 10/2012 Divall D25/119
D695,421 S * 12/2013 Krieger D25/119
D706,125 S * 6/2014 Wendt D25/119
D753,425 S * 4/2016 Johansson D25/119
2015/0068569 A1 * 3/2015 Shargani E04H 15/58
135/90
2016/0130836 A1 * 5/2016 Shargani E04H 15/04
135/90

* cited by examiner

Primary Examiner — Cynthia Ramirez
Assistant Examiner — Llorellys Martinez-Rivera
(74) *Attorney, Agent, or Firm* — Payam Moradian

(57) **CLAIM**
The ornamental design for a rod for canopy, as shown and
described.

DESCRIPTION

FIG. 1 is a front elevation view of a rod for canopy showing
my new design; and,
FIG. 2 is a front perspective view thereof.
The broken lines in FIG. 2 illustrate portions of the rod for
canopy that form no part of the claimed design.

1 Claim, 1 Drawing Sheet

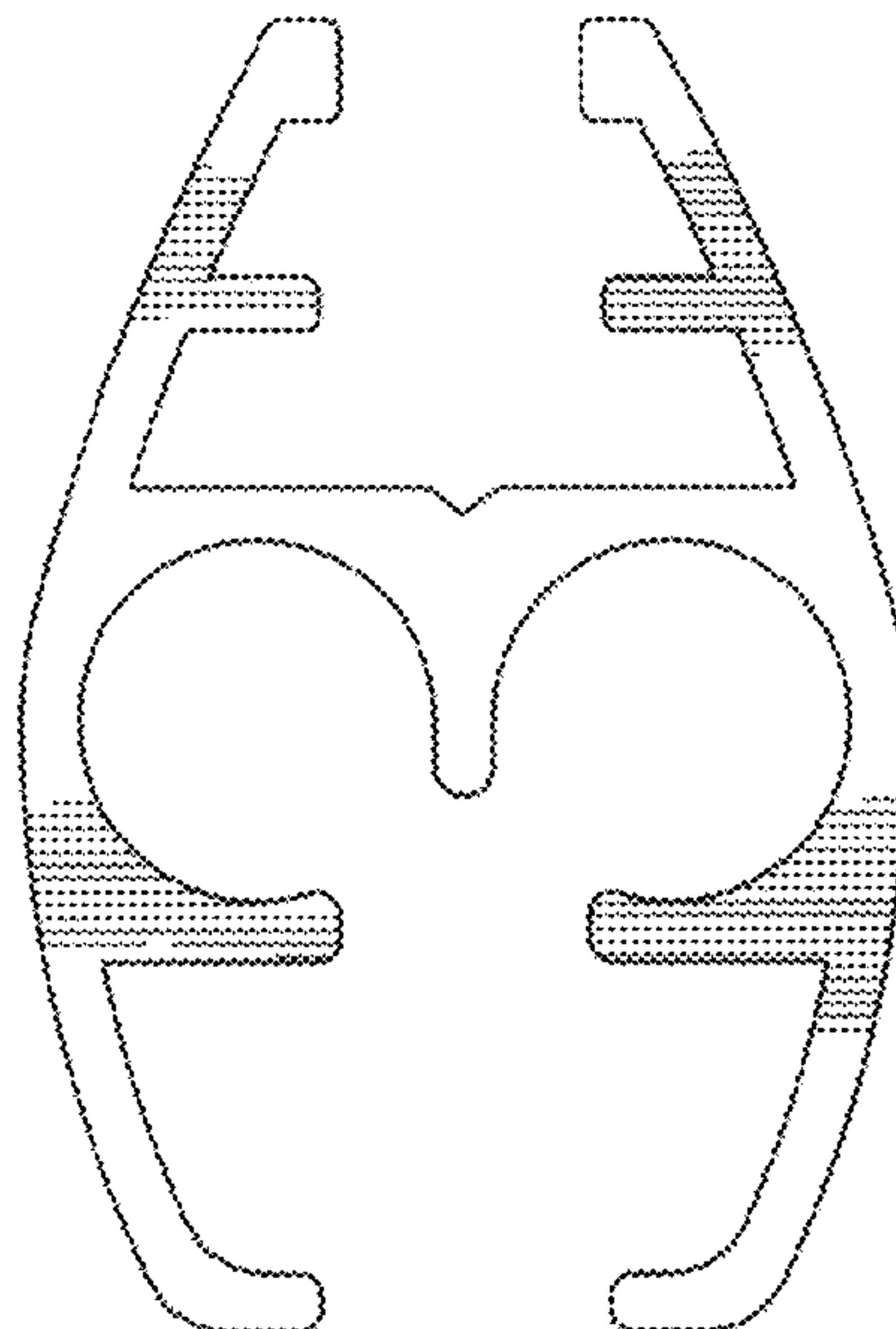


FIG. 1

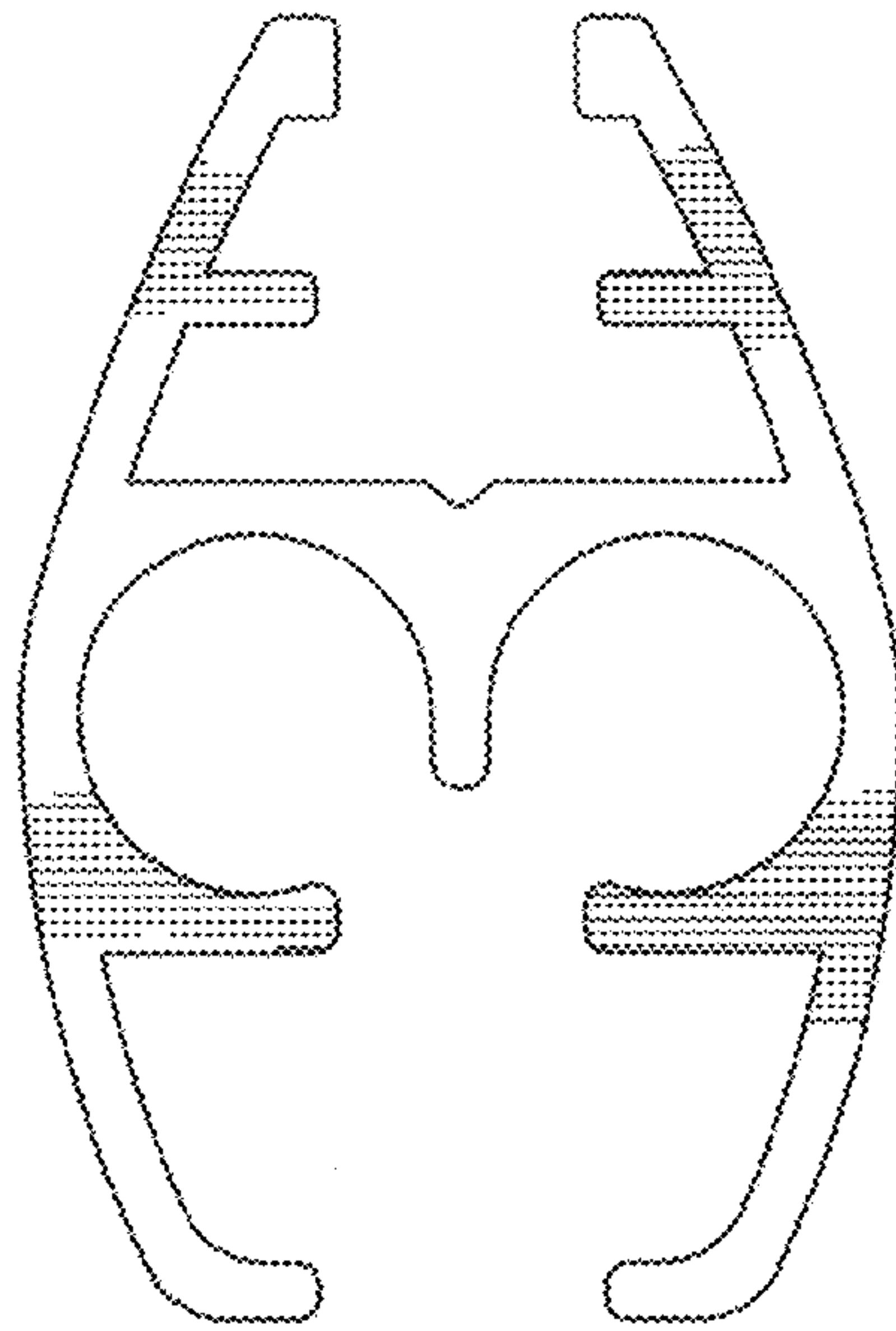


FIG. 2

