



US00D770642S

(12) **United States Design Patent** (10) **Patent No.:** **US D770,642 S**
Johnson (45) **Date of Patent:** **** Nov. 1, 2016**

(54) **STEP EXTENDER**

(71) Applicant: **Lawrence C Johnson**, Puyallup, WA
(US)

(72) Inventor: **Lawrence C Johnson**, Puyallup, WA
(US)

(**) Term: **14 Years**

(21) Appl. No.: **29/485,814**

(22) Filed: **Mar. 24, 2014**

(51) **LOC (10) Cl.** **25-04**

(52) **U.S. Cl.**

USPC **D25/62**; D25/65

(58) **Field of Classification Search**

USPC D6/334–335, 341, 349–353, 691, 691.1,
D6/691.4, 692, 692.1, 692.4, 694, 694.2,
D6/708, 716, 716.1, 716.6; D25/62, 63,
D25/65, 68

CPC A47C 9/00; A47C 9/02; A47C 9/002;
A47C 9/007; A47C 9/025; A47C 9/10;
A47C 11/00; A47C 12/00; A47C 13/00;
A47C 5/02; A47C 5/04; A47C 5/043; A47C
7/00–7/006; A47C 7/02; A47C 16/02–16/04;
A47B 3/00; A47B 3/02; A47B 3/04; A47B
3/12; E04F 11/04–11/09

See application file for complete search history.

(56) **References Cited**

U.S. PATENT DOCUMENTS

2,384,234 A * 9/1945 Breese A47B 85/04
297/2
D145,143 S * 7/1946 Pearson, Jr. D3/200
D241,490 S * 9/1976 Karlin D6/691
D260,683 S * 9/1981 Kokoska 182/91
D287,283 S * 12/1986 Johnson 182/228.1
D322,872 S * 12/1991 Holbrook 119/28.5
5,263,551 A * 11/1993 Andersen B25H 1/06
182/107
D582,168 S * 12/2008 Sandel D6/349
D621,959 S * 8/2010 Klockler D25/62

D649,371 S * 11/2011 Wilcox D6/350
D665,180 S * 8/2012 Ekelchik D6/353
2004/0070245 A1 * 4/2004 McMakin A47C 16/025
297/250.1
2012/0175923 A1 * 7/2012 Damrow A47C 16/02
297/188.08
2013/0186709 A1 * 7/2013 White A47C 12/00
182/89

OTHER PUBLICATIONS

Painting Stair Case—build stair leveling stool. [online] Retrieved
Sep. 13, 2016 from URL: <https://www.youtube.com/watch?v=-
qENjbbsiDI>.*

* cited by examiner

Primary Examiner — Vy Koenig

(74) *Attorney, Agent, or Firm* — K. Lambert; Lambert
Patent Services, LLC

(57) **CLAIM**

The ornamental design for a step extender, as shown and
described.

DESCRIPTION

FIG. 1 is a perspective view of the step extender, showing
the new design;

FIG. 2 is a front perspective view thereof;

FIG. 3 is a top plan view thereof;

FIG. 4 is a bottom plan view thereof;

FIG. 5 is a first side elevational view thereof;

FIG. 6 is a second side elevational view thereof;

FIG. 7 is a front side elevational view thereof;

FIG. 8 is a rear side elevational view thereof;

FIG. 9 is a perspective view thereof, shown in a position of
use with a ladder on a stairwell; and,

FIG. 10 is a perspective view thereof, shown in a position of
use as a stepping stool.

The broken lines shown in the drawings depict environmen-
tal subject matter and form no part of the claimed design.

1 Claim, 6 Drawing Sheets

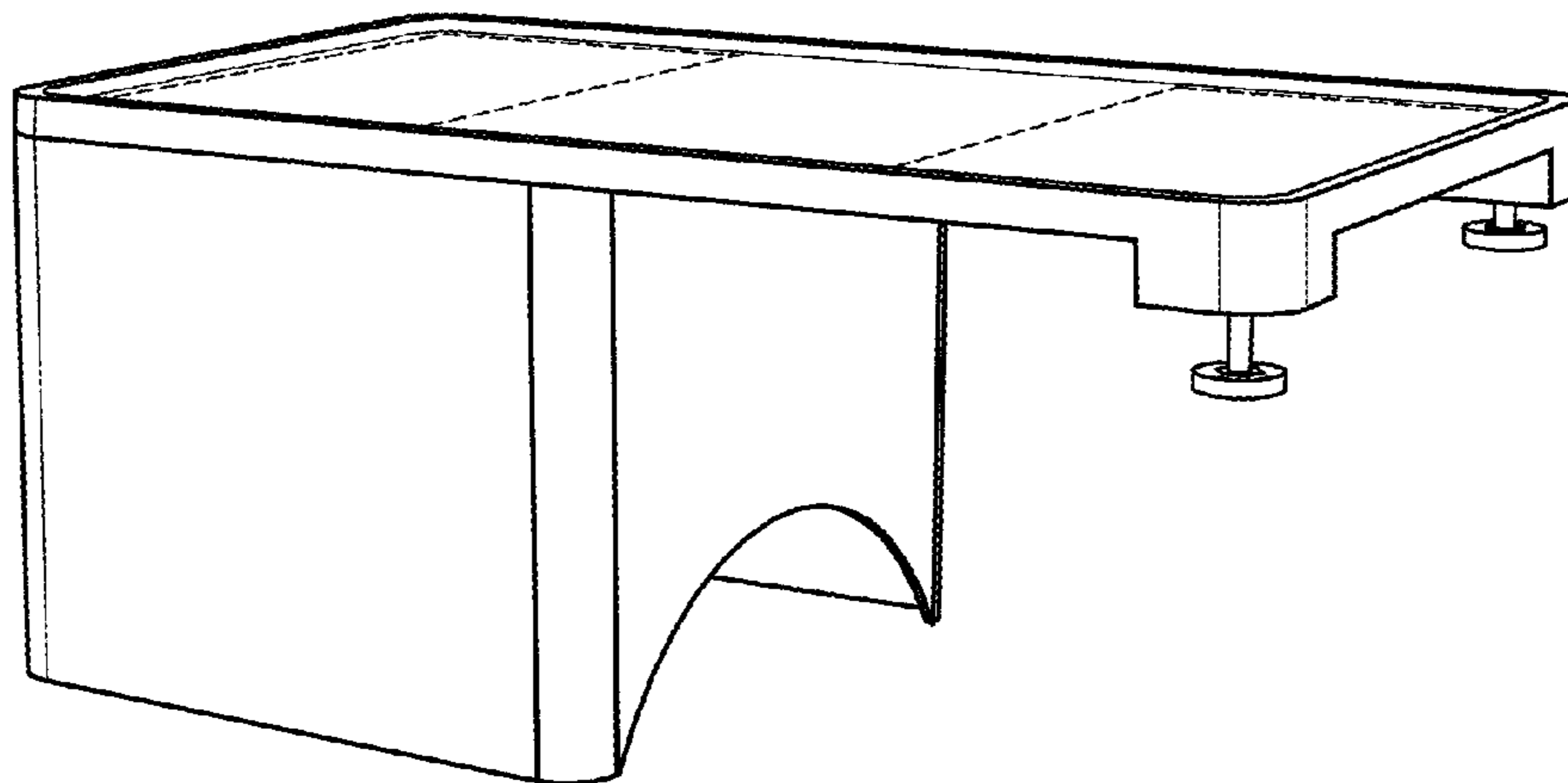


Fig. 1

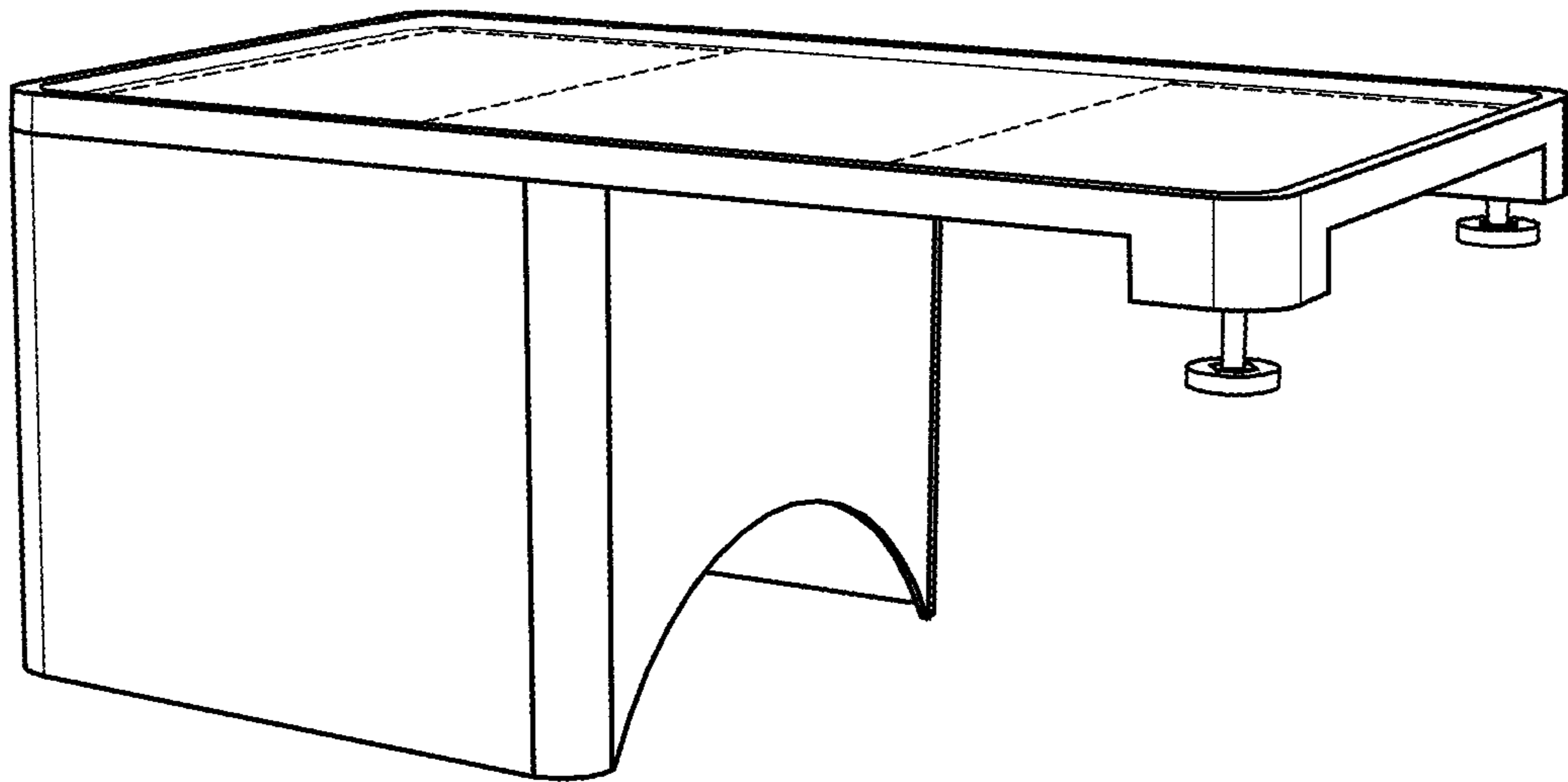


Fig. 2

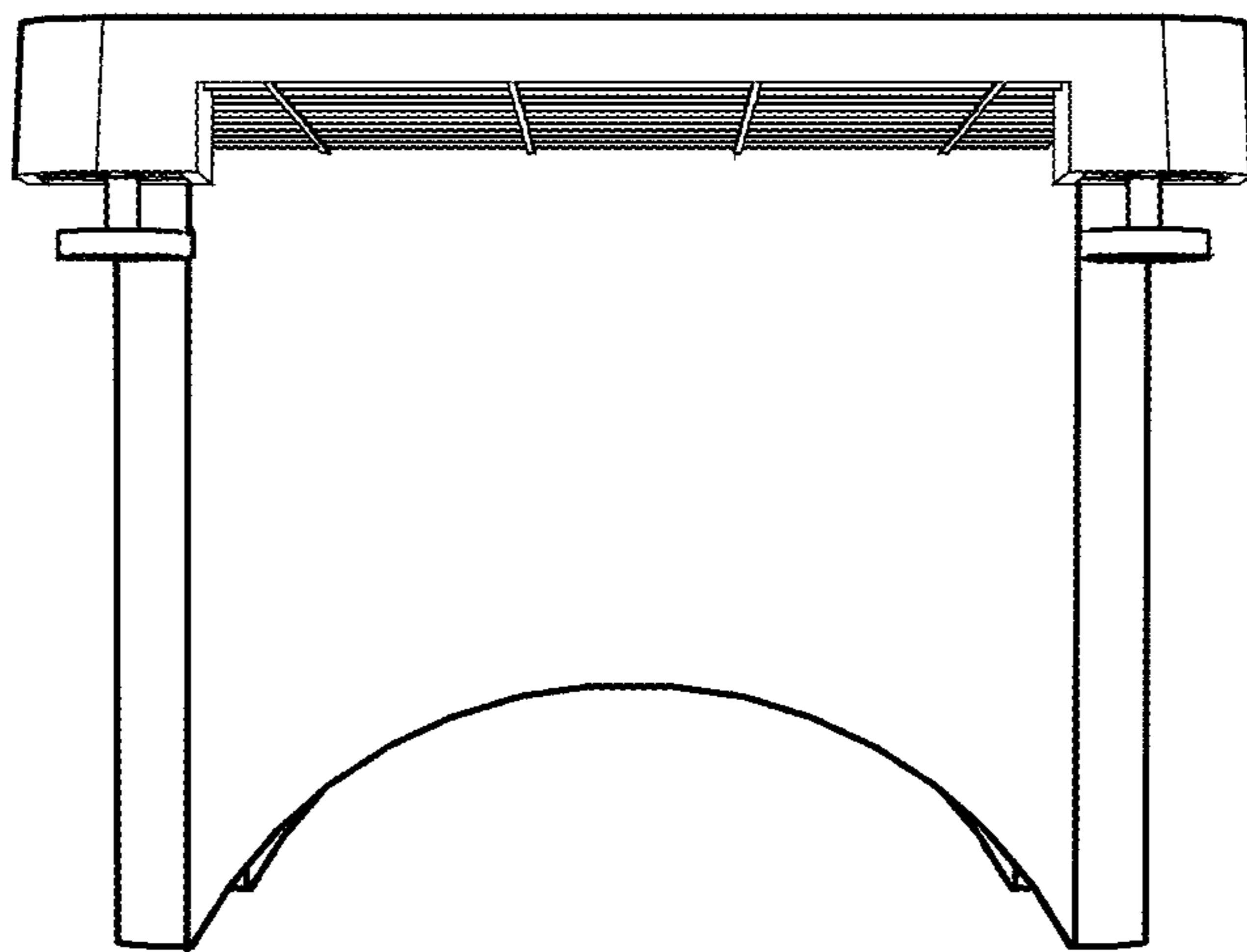


Fig. 3

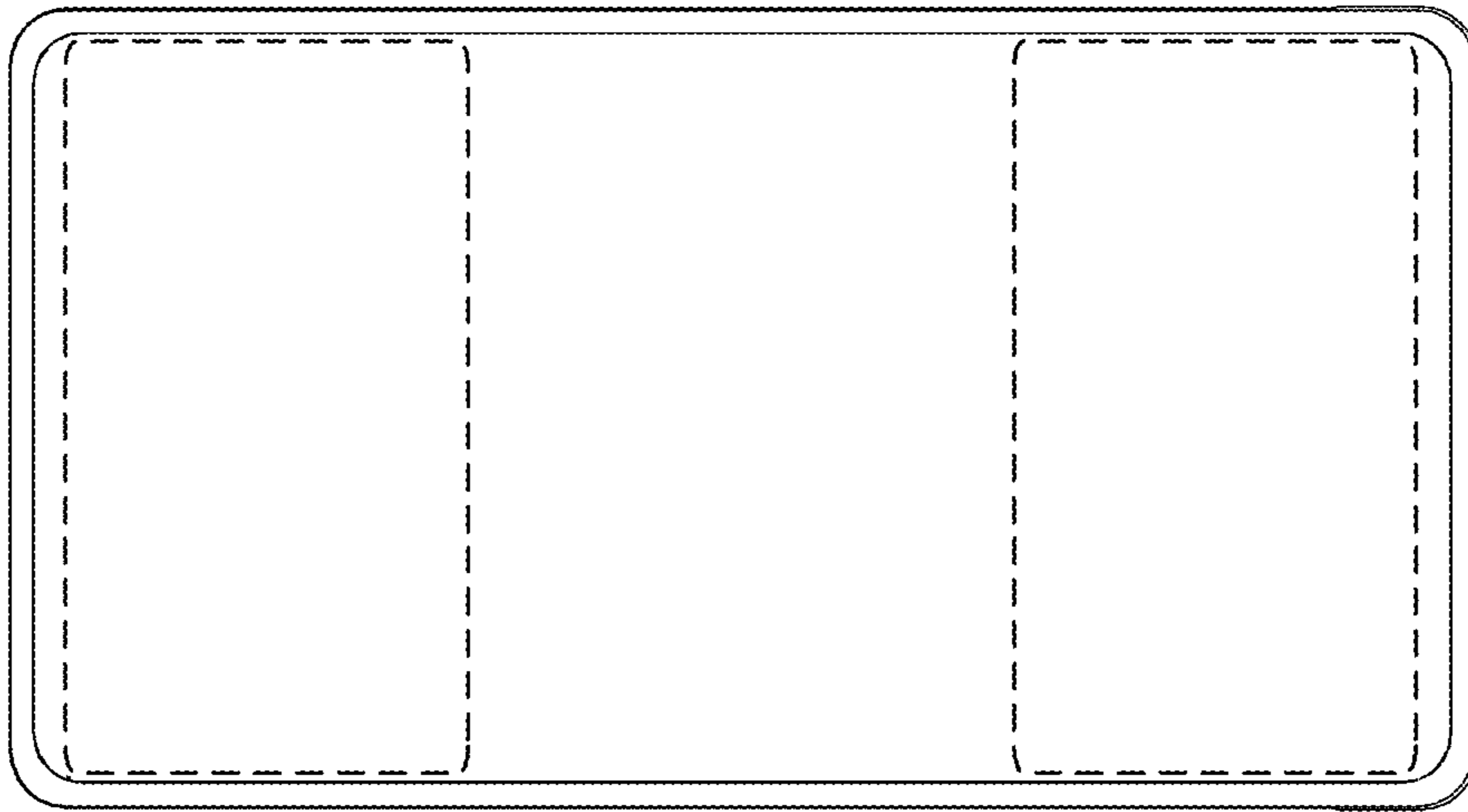


Fig. 4

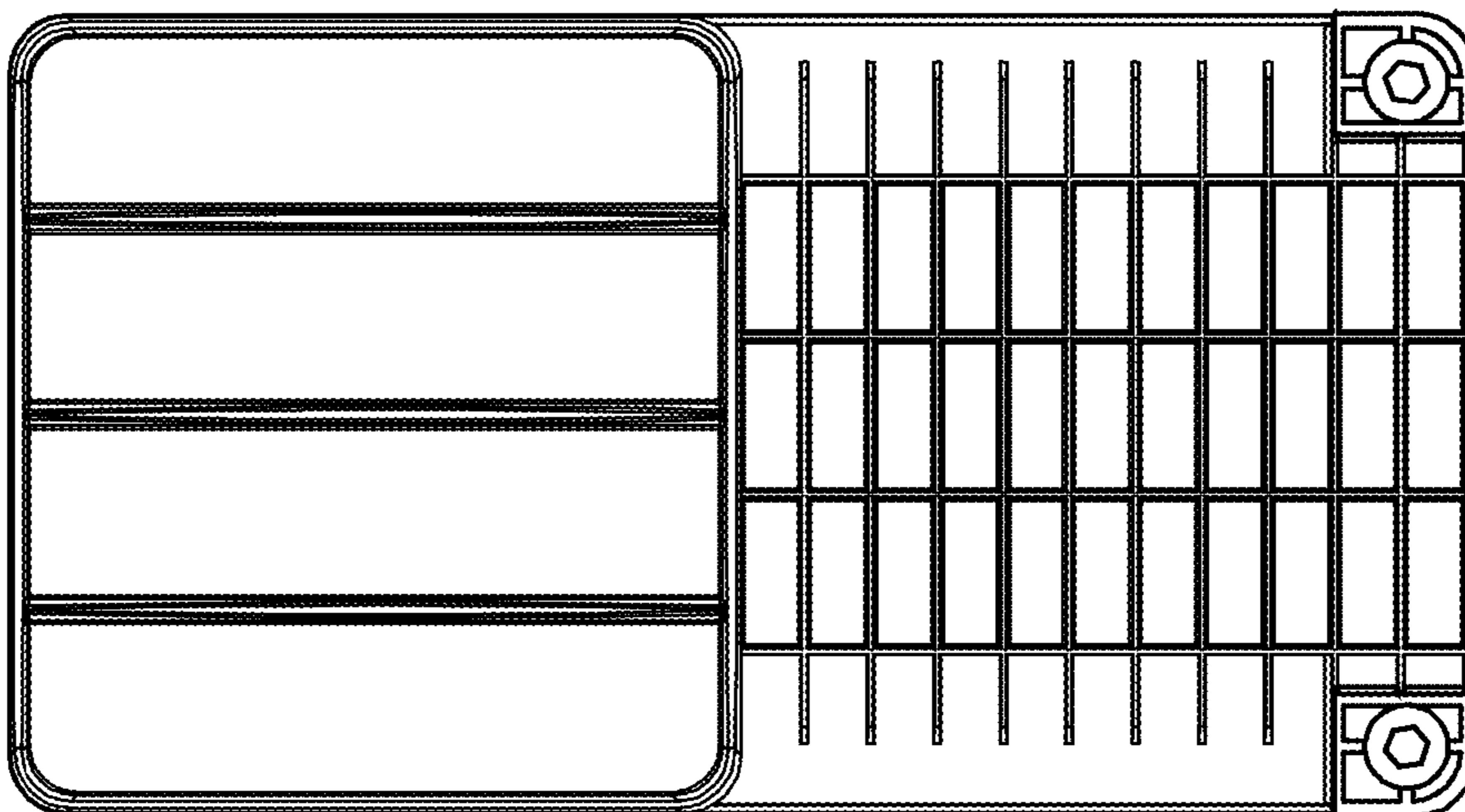


Fig. 5

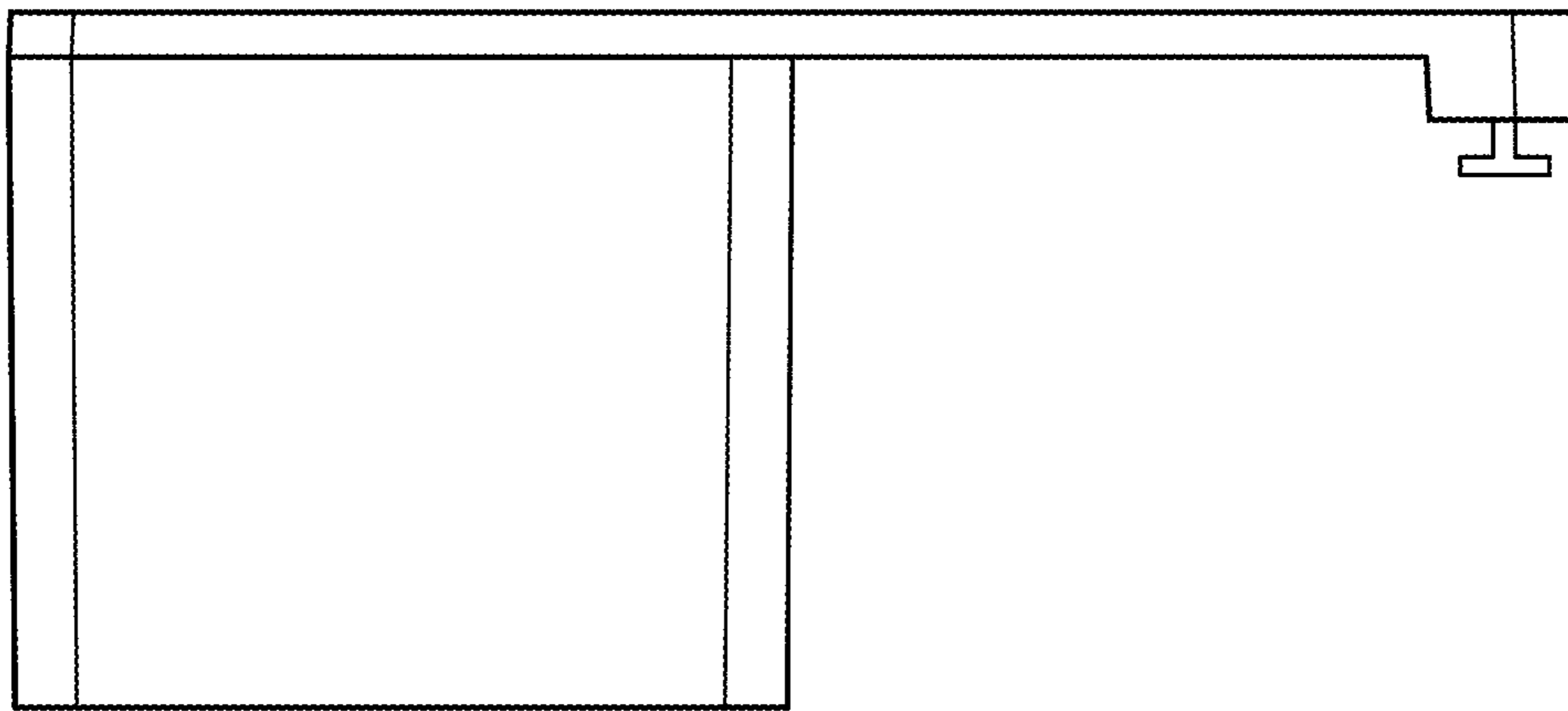


Fig. 6

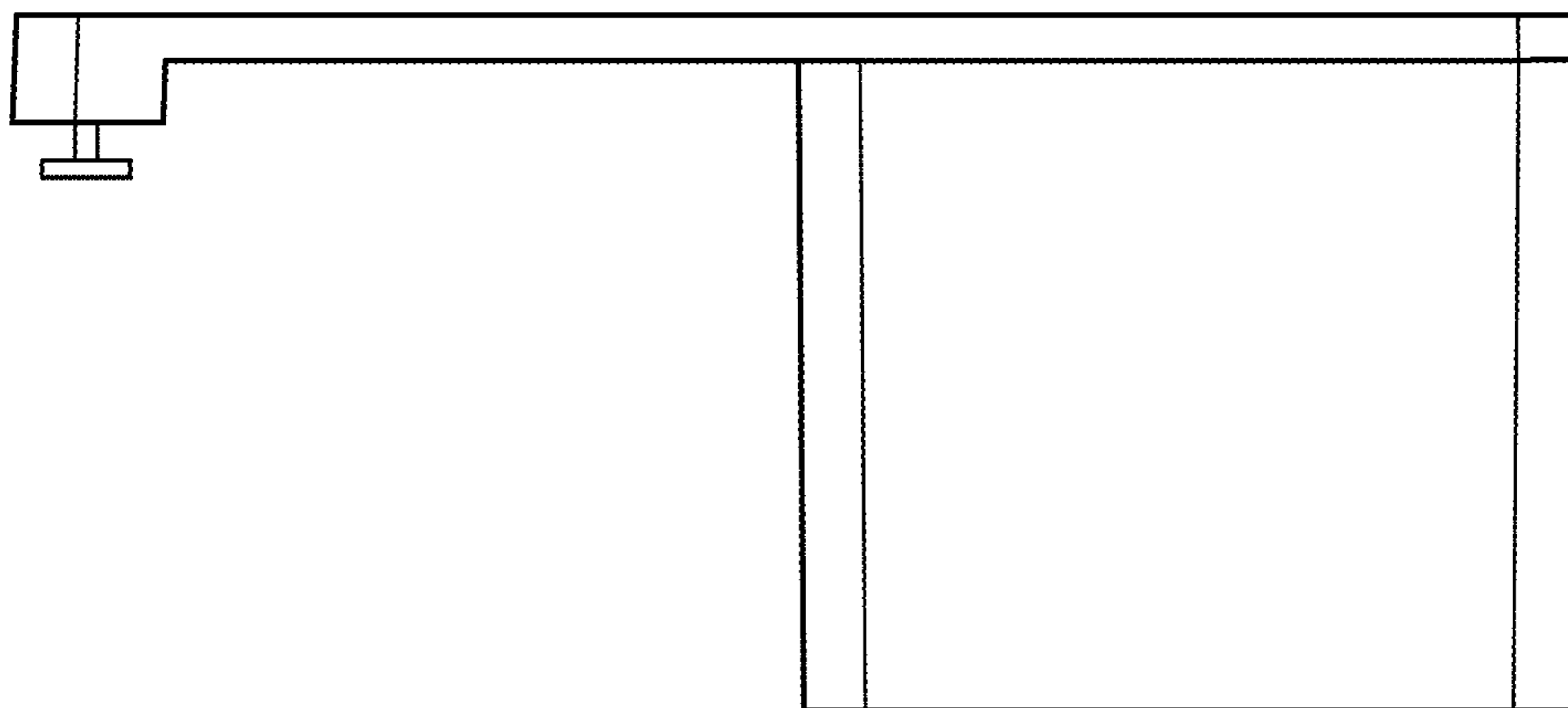


Fig. 7

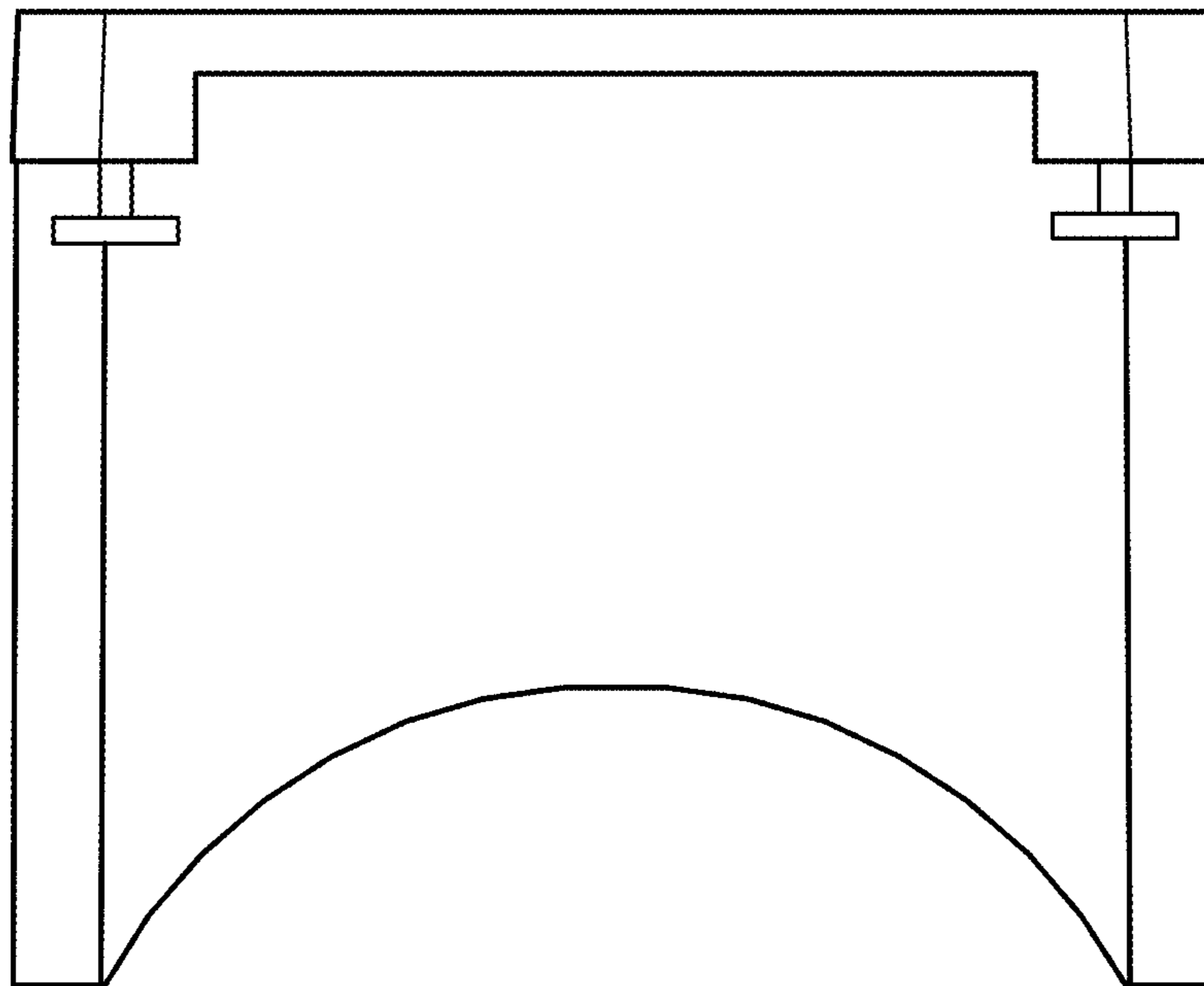


Fig. 8

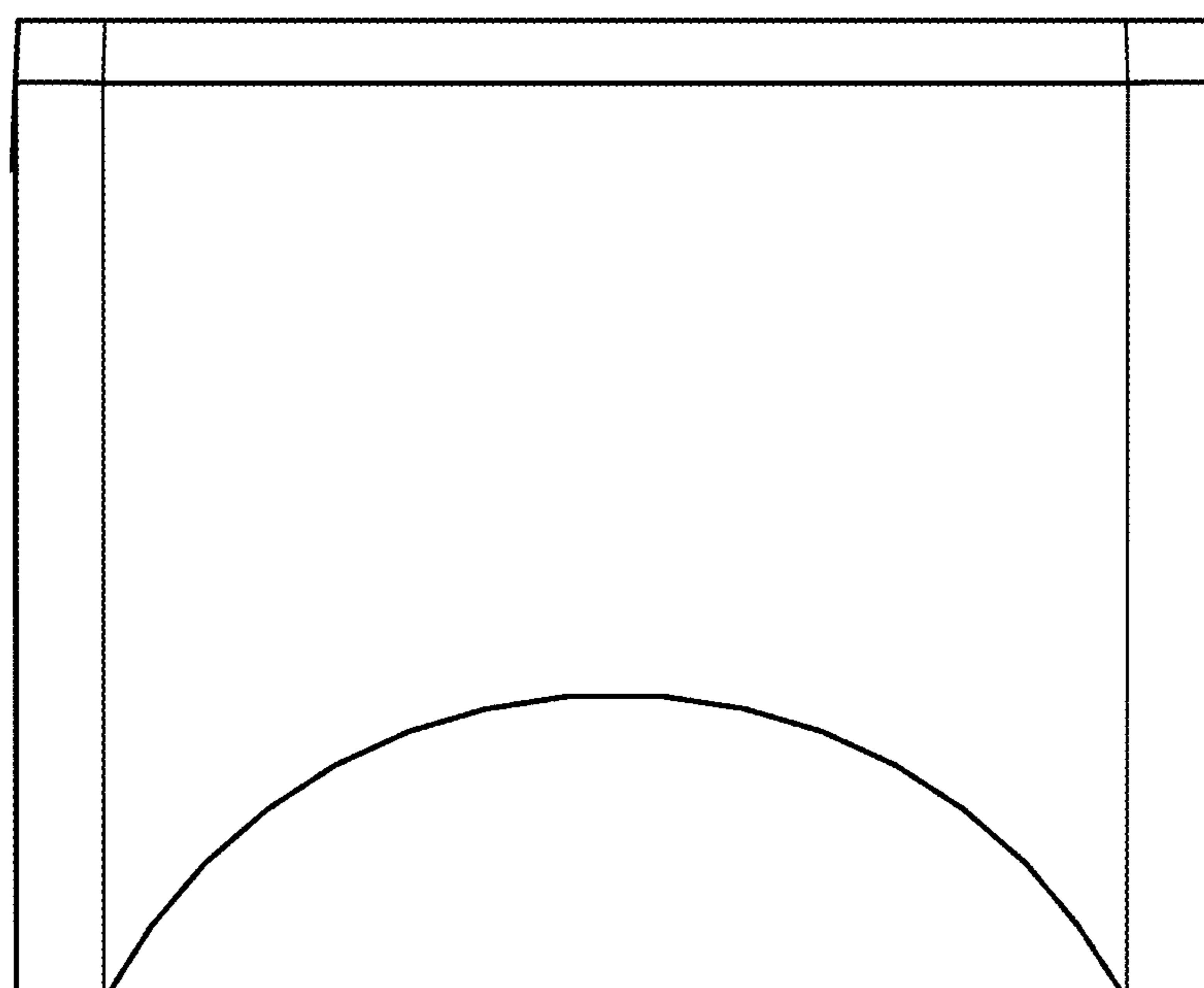


Fig. 9

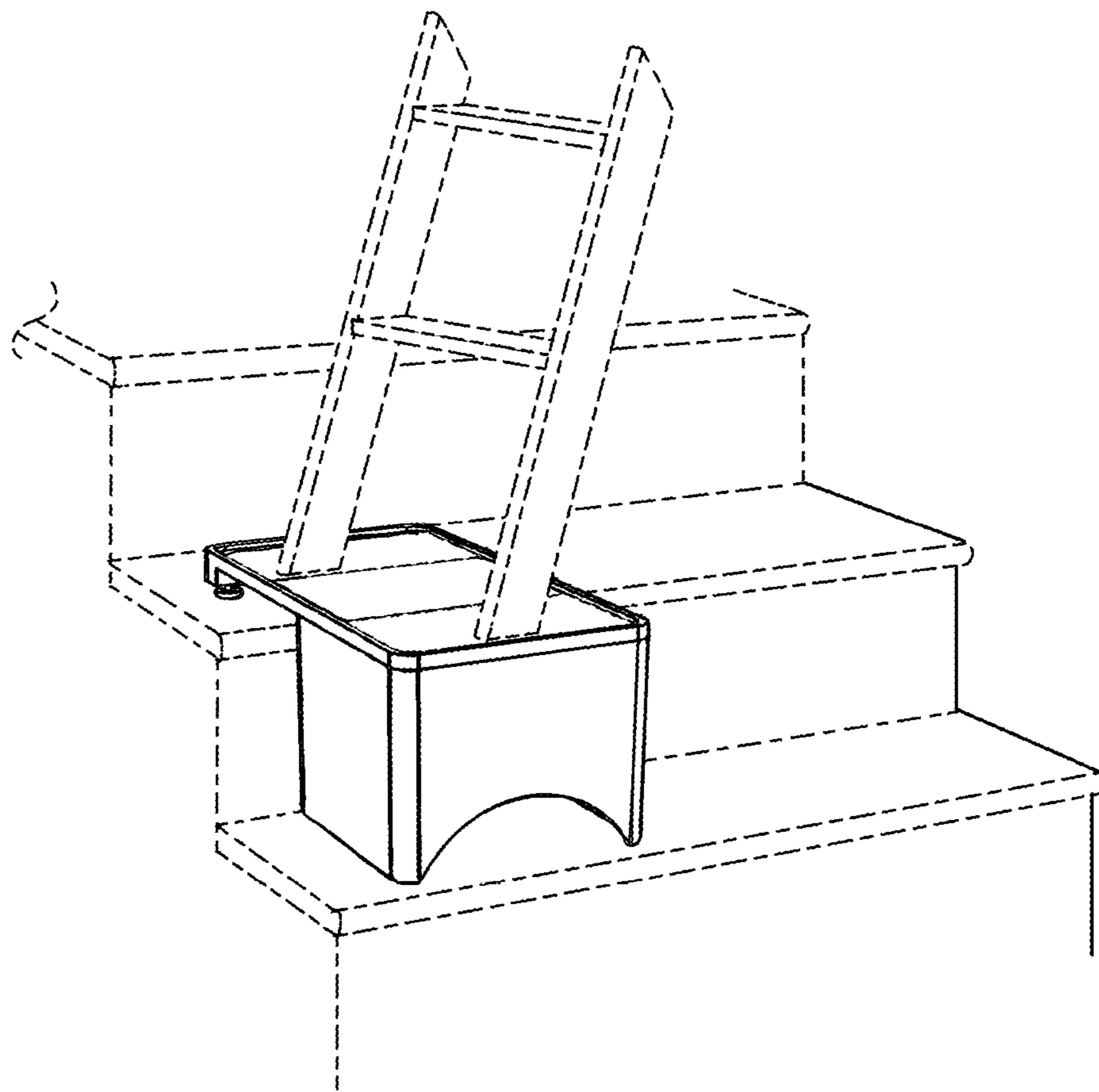


Fig. 10

