



US00D770639S

(12) **United States Design Patent** (10) **Patent No.:** **US D770,639 S**
Till et al. (45) **Date of Patent:** **** Nov. 1, 2016**

(54) **LAMP**

D589,204 S * 3/2009 Sabernig D26/104
D661,009 S * 5/2012 Bennett D26/93
D676,996 S * 2/2013 Gismondi D26/104

(71) Applicant: **Phoseon Technology, Inc.**, Hillsboro,
OR (US)

* cited by examiner

(72) Inventors: **Gary Till**, Newberg, OR (US); **Doug Childers**, Portland, OR (US); **Ed Kiyoi**, Tigard, OR (US)

Primary Examiner — Brian N Vinson
(74) *Attorney, Agent, or Firm* — Alleman Hall McCoy
Russell & Tuttle LLP

(73) Assignee: **Phoseon Technology, Inc.**, Hillsboro,
OR (US)

(**) Term: **14 Years**

(57) **CLAIM**
The ornamental design for a lamp, as shown and described.

(21) Appl. No.: **29/516,006**

DESCRIPTION

(22) Filed: **Jan. 28, 2015**

(51) **LOC (10) Cl.** **24-99**

(52) **U.S. Cl.**
USPC **D24/232**

(58) **Field of Classification Search**
USPC D26/24, 93, 104, 106, 105; D24/232
CPC F21S 6/00; F21S 6/002; F21S 6/004;
F21S 6/008; F21S 8/08; F21V 21/00; F21V
21/02; F21V 2131/30; F21V 1/00; F21V
1/02; F21V 1/04
See application file for complete search history.

FIG. 1 is a front view of a design for a lamp according to the present invention.
FIG. 2 is a back view of the lamp of FIG. 1.
FIG. 3 is a top view of the lamp of FIG. 1.
FIG. 4 is a bottom view of the lamp of FIG. 1.
FIG. 5 is a right side view of the lamp of FIG. 1.
FIG. 6 is a left side view of the lamp of FIG. 1.
FIG. 7 is a top front perspective view of the lamp of FIG. 1; and,
FIG. 8 is a bottom left perspective view of the lamp of FIG. 1.

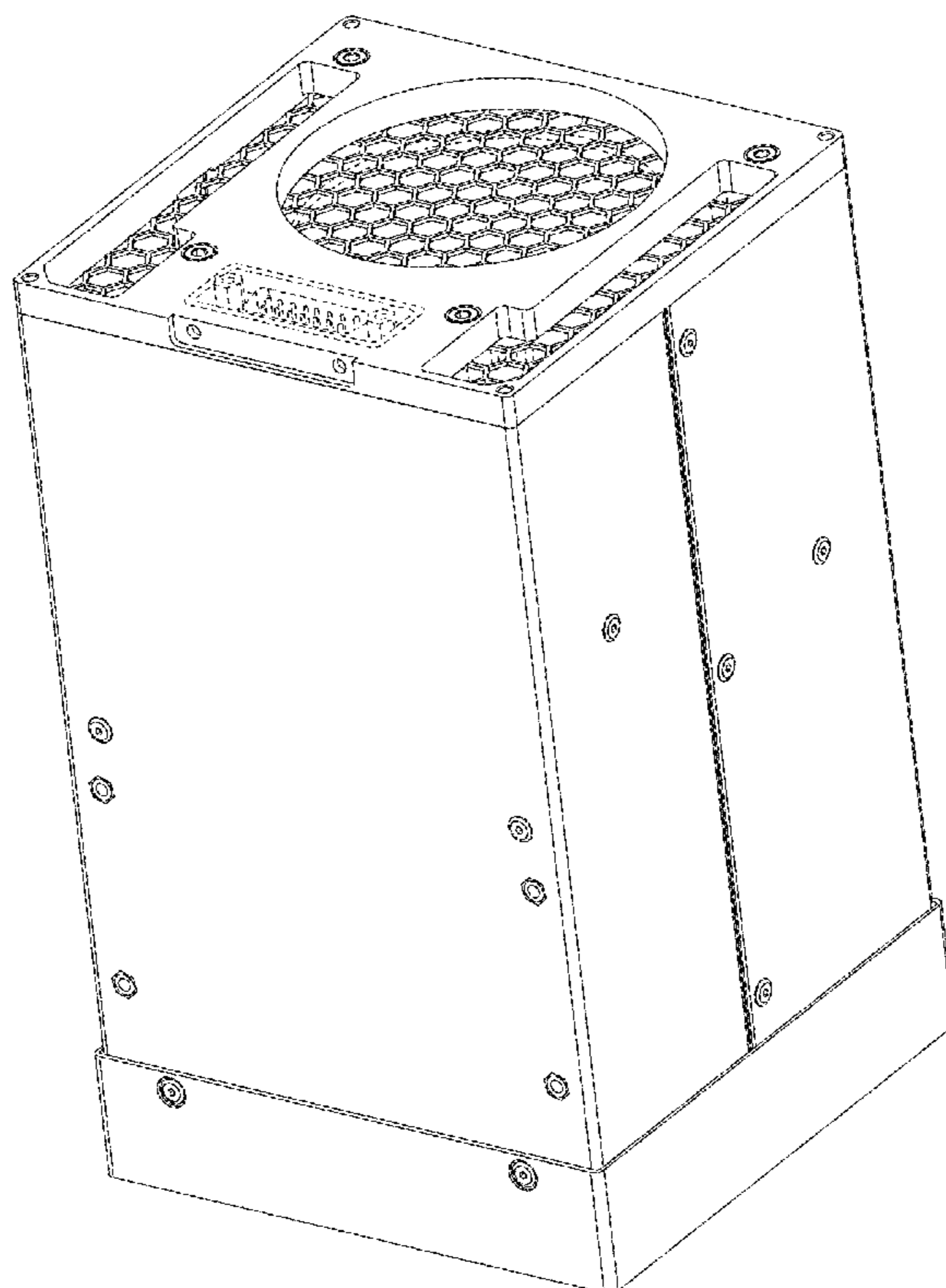
(56) **References Cited**

U.S. PATENT DOCUMENTS

D238,094 S * 12/1975 Ervin D26/104
D336,863 S * 6/1993 MacKenzie D26/24

The solid lines in FIGS. 1-8 illustrate a lamp according to the present invention. In the drawings, the broken lines are for the purpose of illustrating environment only and form no part of the claimed design.

1 Claim, 8 Drawing Sheets



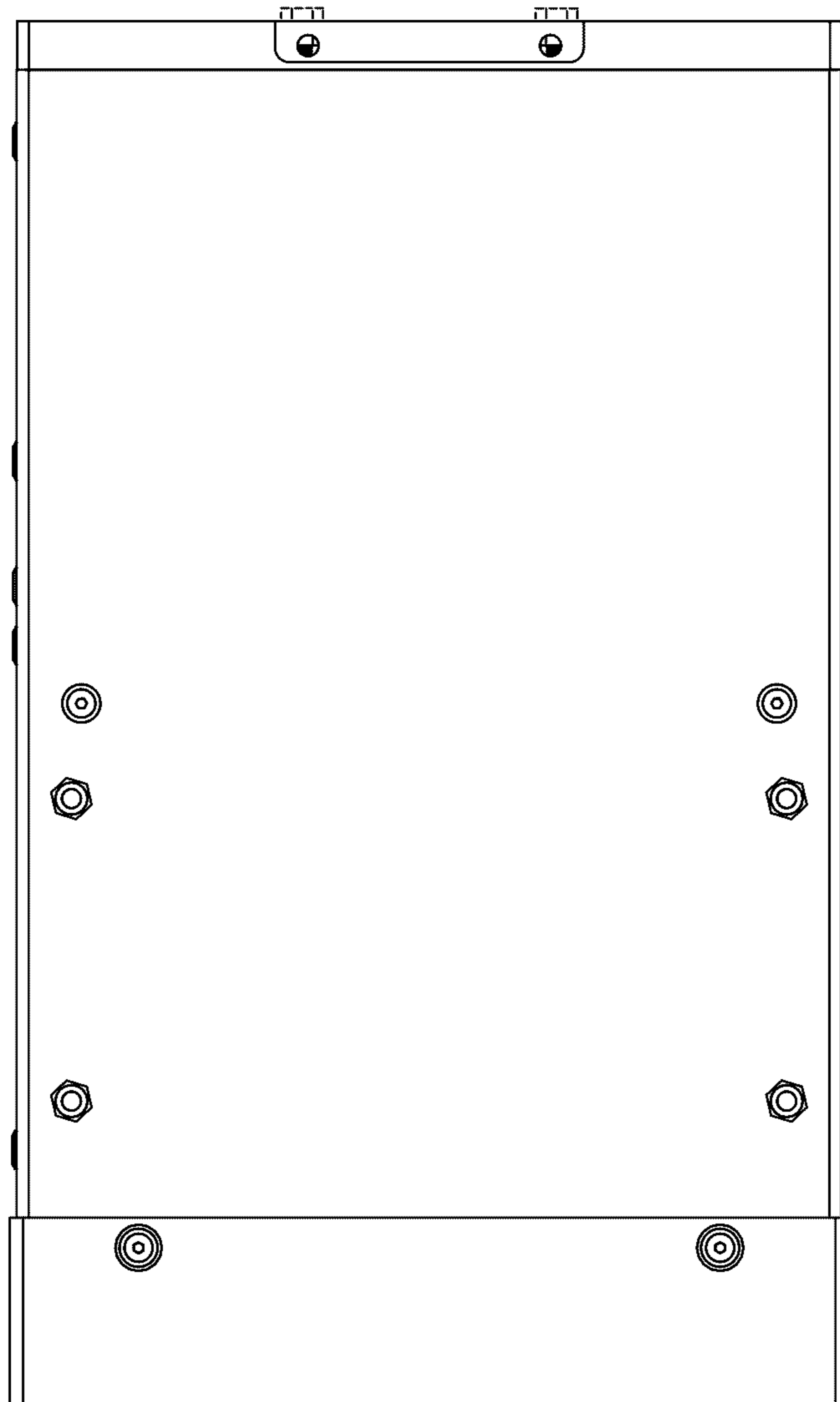


FIG. 1

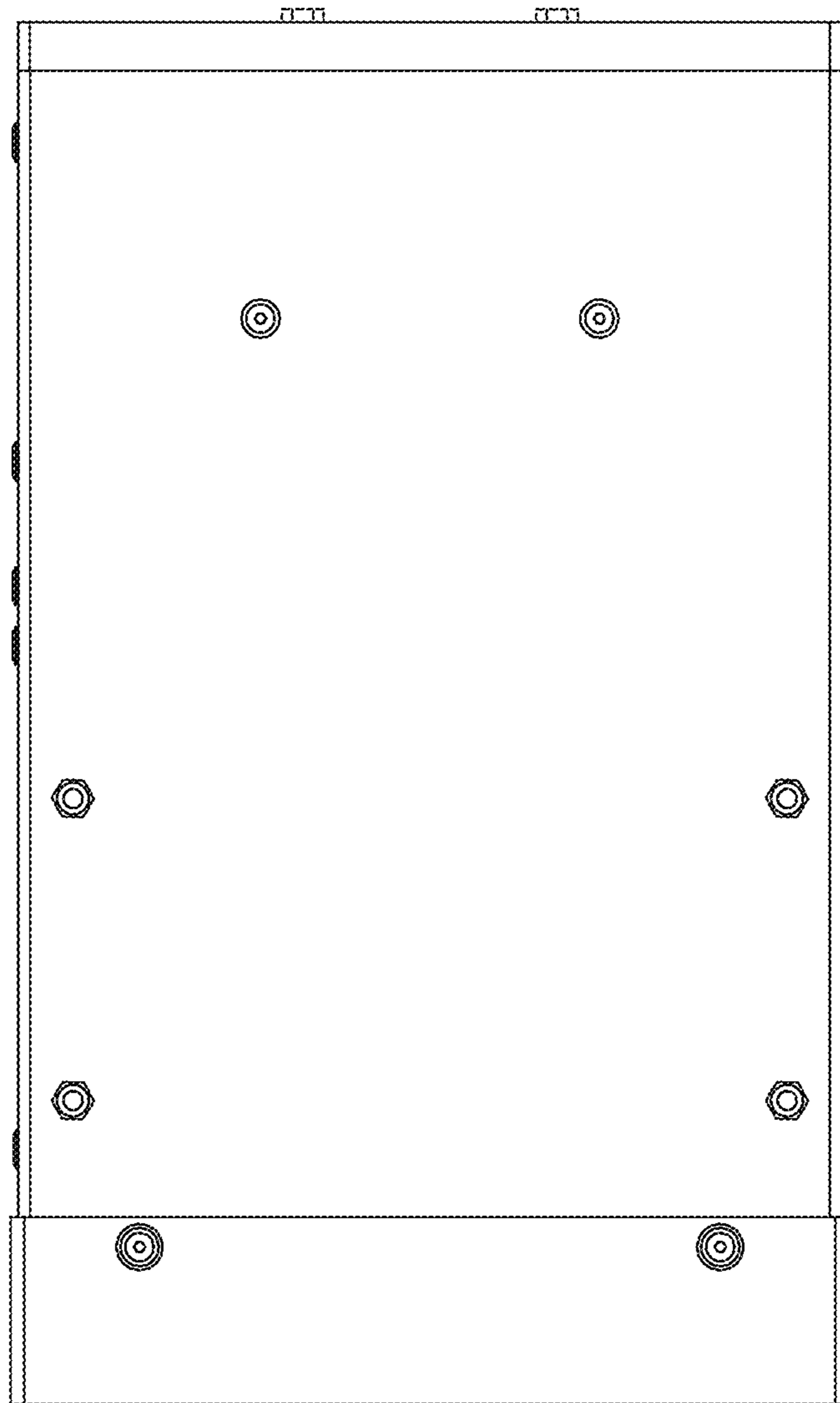


FIG. 2

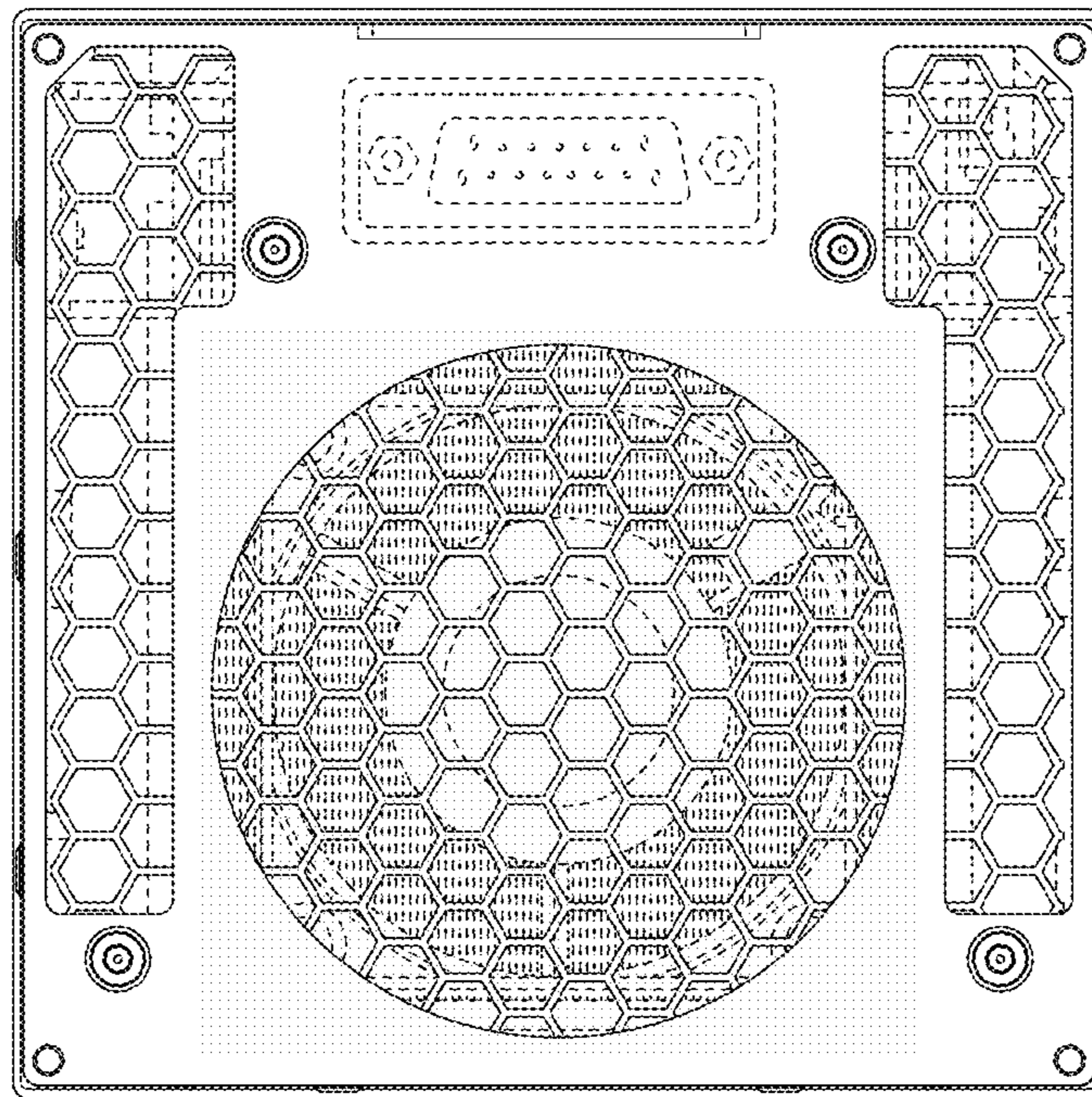


FIG. 3

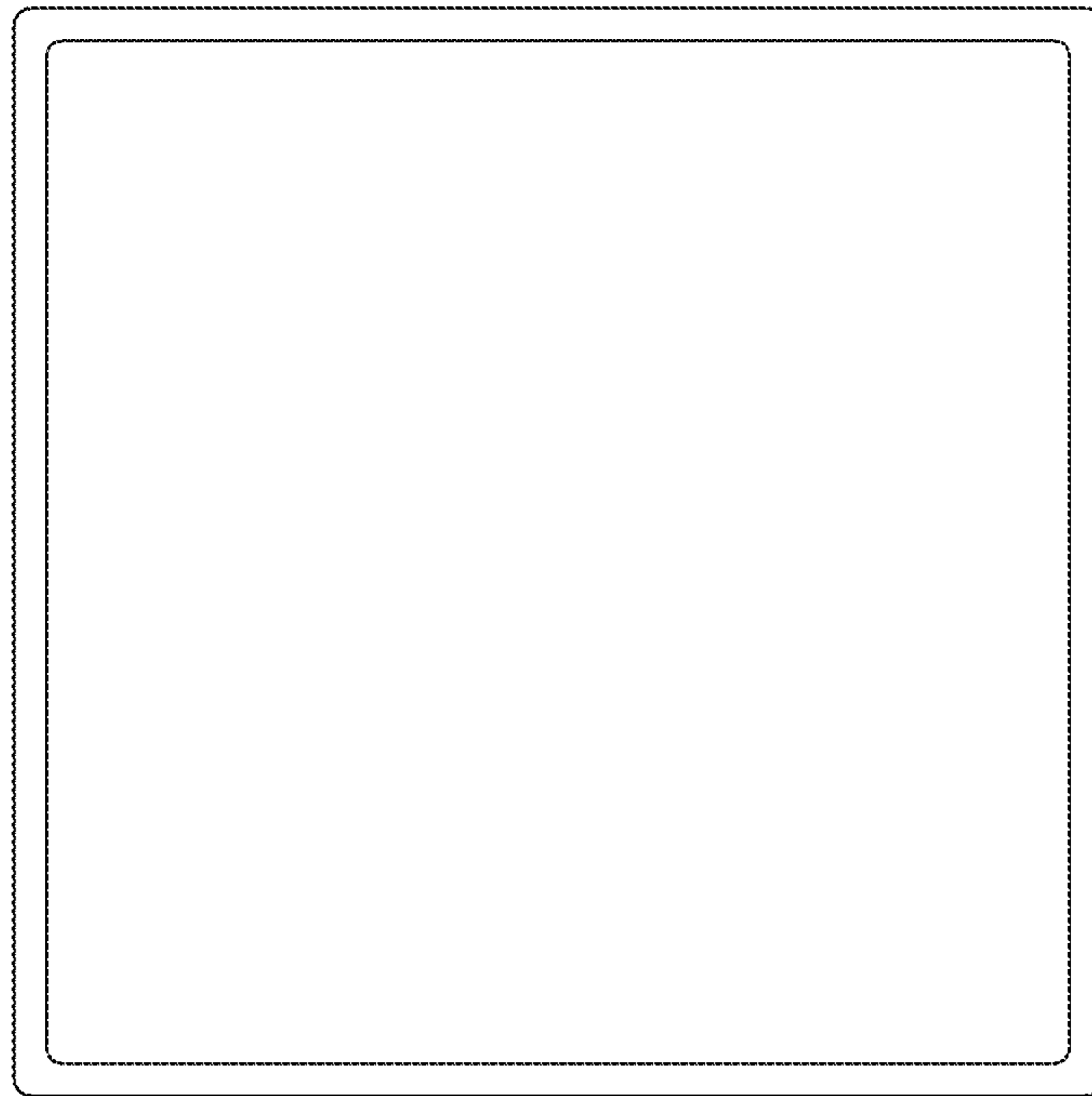


FIG. 4

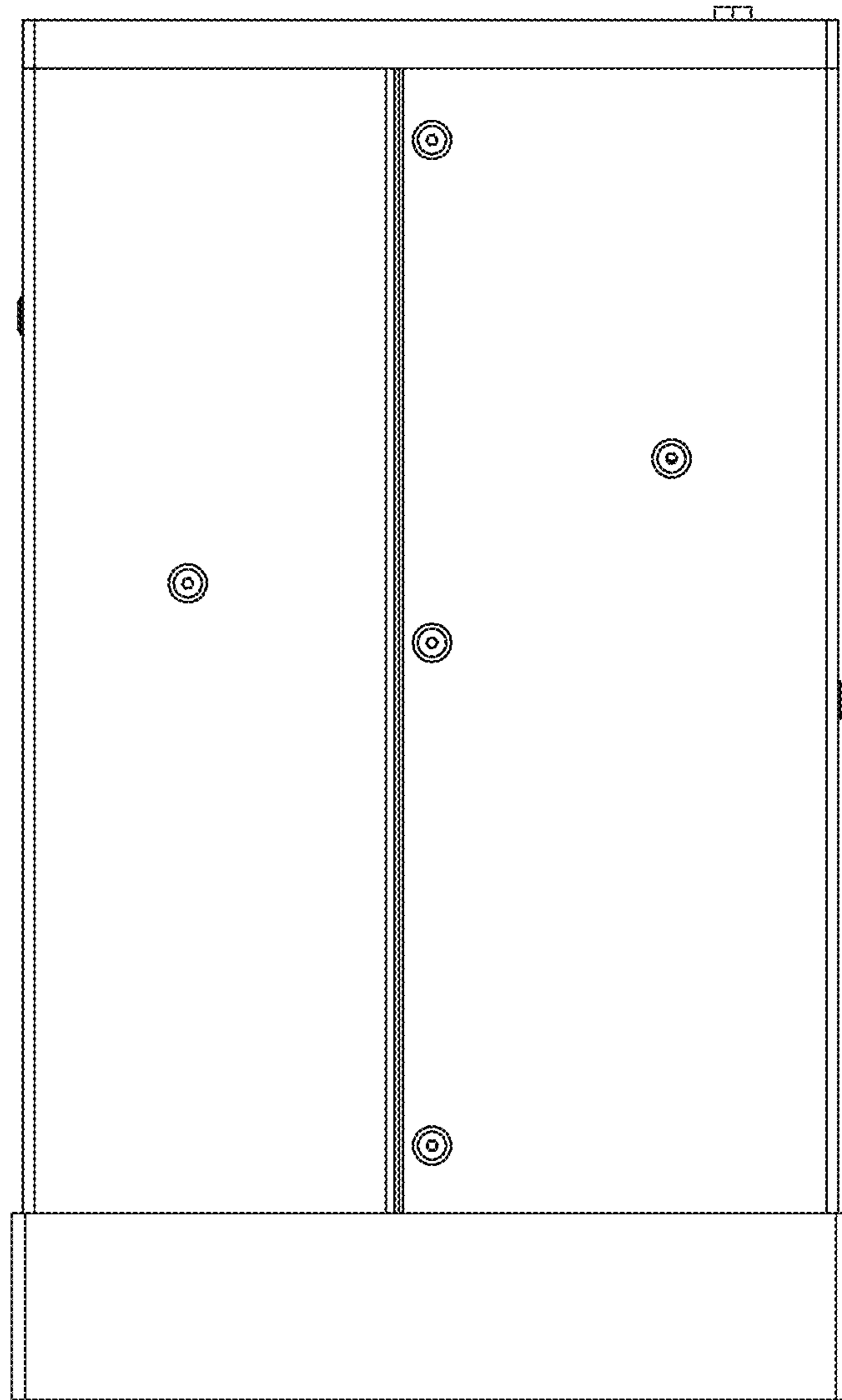


FIG. 5

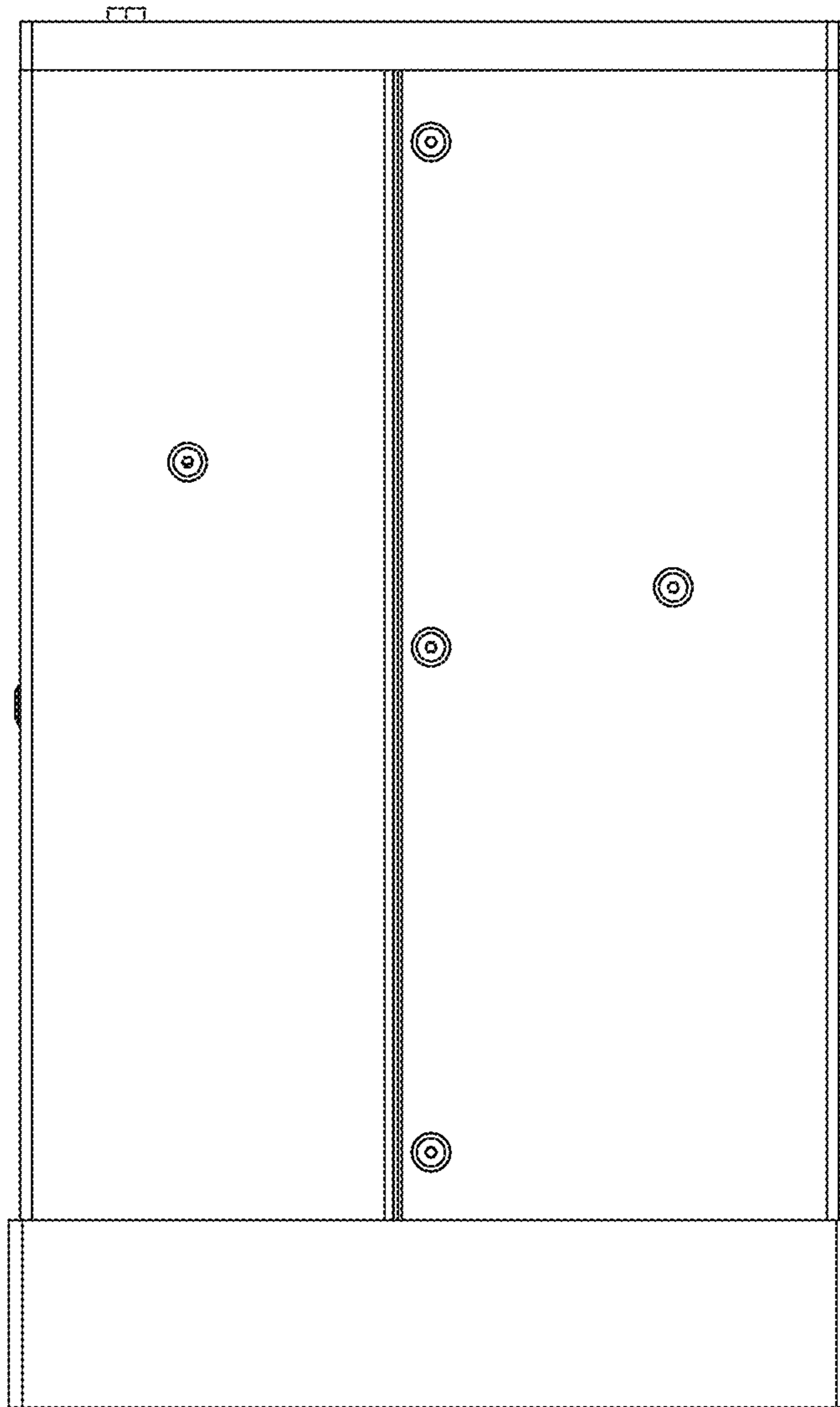


FIG. 6

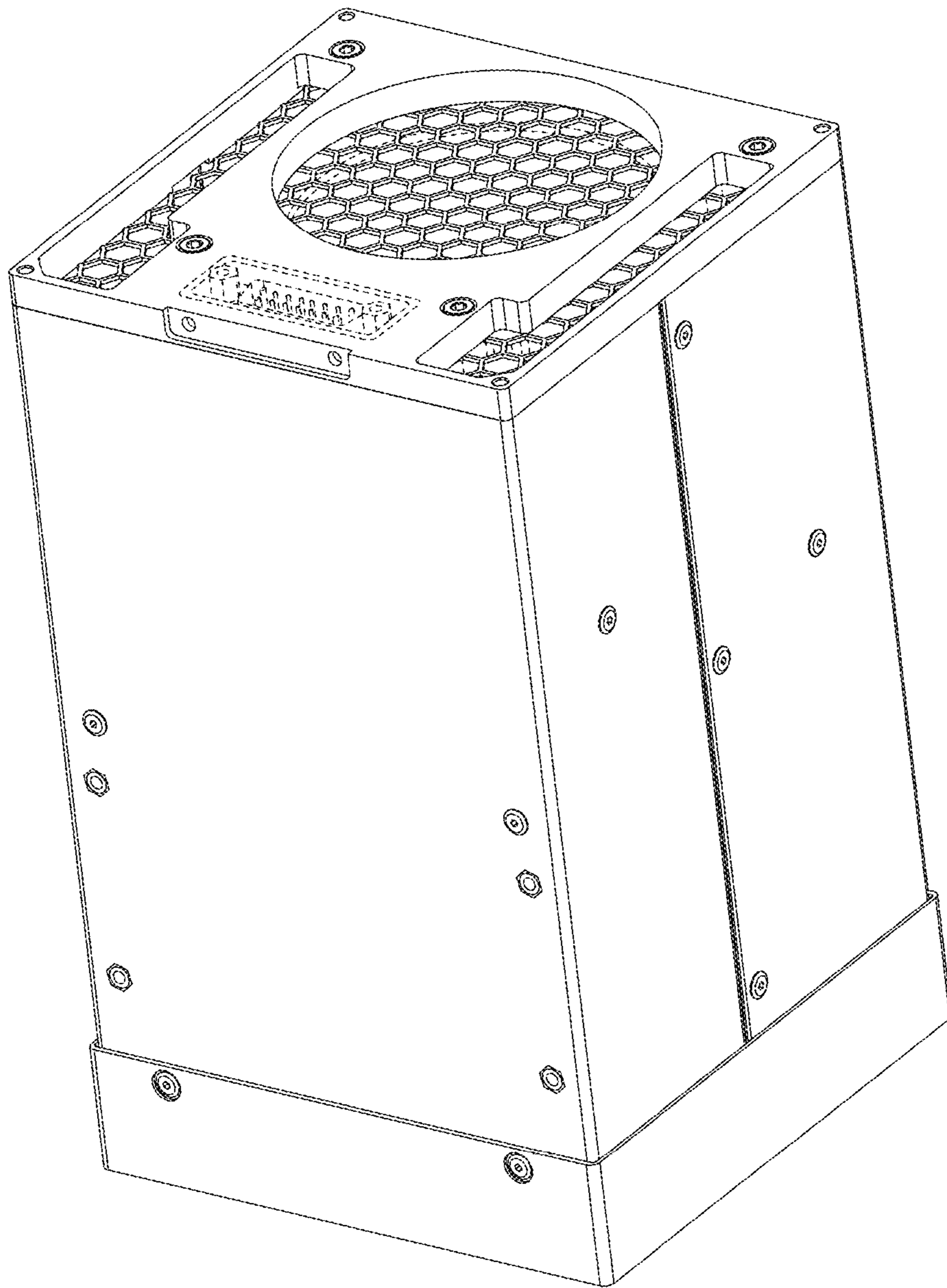


FIG. 7

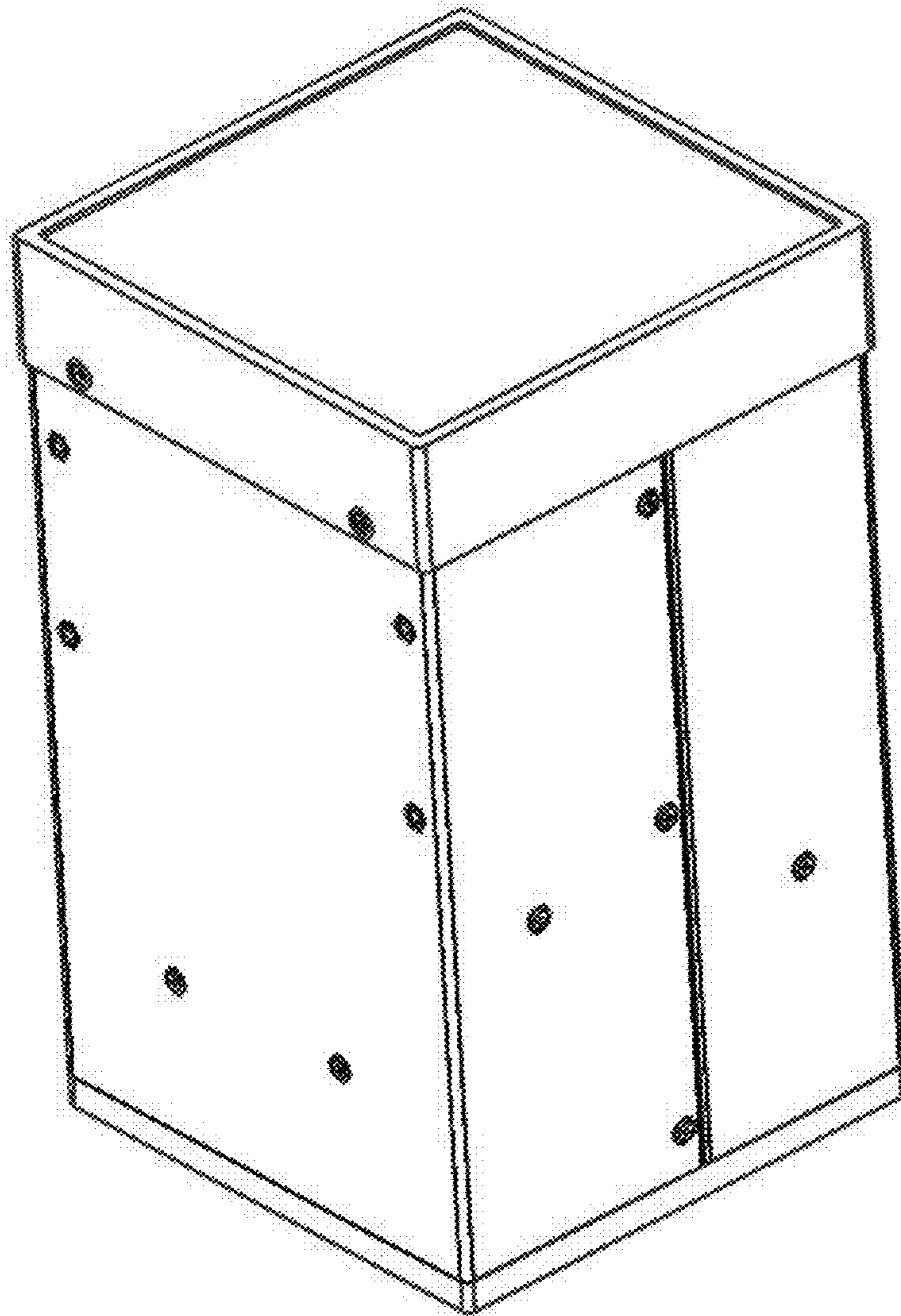


FIG. 8