



US00D770633S

(12) **United States Design Patent**  
**Tanaka et al.**

(10) **Patent No.:** **US D770,633 S**  
(45) **Date of Patent:** **\*\* Nov. 1, 2016**

(54) **WRIST SUPPORTER**

(71) Applicant: **WACOAL CORP.**, Kyoto-shi, Kyoto (JP)

(72) Inventors: **Fumiko Tanaka**, Kyoto (JP); **Nozomu Seike**, Kyoto (JP)

(73) Assignee: **WACOAL CORP.**, Kyoto-Shi, Kyoto (JP)

(\*\*) Term: **14 Years**

(21) Appl. No.: **29/520,803**

(22) Filed: **Mar. 18, 2015**

(30) **Foreign Application Priority Data**

Jan. 26, 2015 (JP) ..... 2015-001334

(51) **LOC (10) Cl.** ..... **24-04**

(52) **U.S. Cl.**  
USPC ..... **D24/190**

(58) **Field of Classification Search**

USPC ..... D24/190-192; D2/618, 619, 621, 610;  
D29/113, 117.1-119, 120.1, 123  
CPC .... A61F 5/0118; A61F 13/04; A61F 13/085;  
A61F 15/01; A61F 5/05866; A61H 9/0078;  
A61H 9/0092; A41D 13/088; A41D 13/08;  
A41D 13/081

See application file for complete search history.

(56) **References Cited**

**U.S. PATENT DOCUMENTS**

5,810,753 A \* 9/1998 Eberbach ..... A61F 5/0118  
602/20  
7,318,812 B2 \* 1/2008 Taylor ..... A61F 5/0118  
602/21  
D580,064 S \* 11/2008 Lin ..... D24/190  
D580,555 S \* 11/2008 Lin ..... D24/190  
D617,502 S \* 6/2010 Chalk ..... D29/120.1  
D692,619 S \* 10/2013 Best ..... D29/120.1  
2004/0154070 A1 \* 8/2004 Gregory ..... A41D 13/088  
2/159

2005/0273030 A1 \* 12/2005 Koby ..... A61F 5/0118  
602/60  
2009/0187126 A1 \* 7/2009 Nelson ..... A61F 15/004  
602/3  
2014/0343469 A1 \* 11/2014 Bush ..... A61F 13/043  
602/1

**FOREIGN PATENT DOCUMENTS**

JP 1400704 S 11/2010

\* cited by examiner

*Primary Examiner* — George D Kirschbaum

*Assistant Examiner* — Jennifer Watkins

(74) *Attorney, Agent, or Firm* — Nath, Goldberg & Meyer; Jerald L. Meyer; Stanley N. Protigal

(57) **CLAIM**

The ornamental design for a wrist supporter, as shown and described.

**DESCRIPTION**

FIG. 1 is a perspective view;  
FIG. 2 is a front view;  
FIG. 3 is a rear view;  
FIG. 4 is a left side view;  
FIG. 5 is a right side view;  
FIG. 6 is a top plan view;  
FIG. 7 is a bottom plan view;  
FIG. 8 is a front view showing the inside of the article by turning it inside out;  
FIG. 9 is a rear view showing the inside of the article by turning it inside out;  
FIG. 10 is a left side view showing the inside of the article by turning it inside out; and,  
FIG. 11 is a right side view showing the inside of the article by turning it inside out.

The broken lines shown are included for the purpose of illustrating the unclaimed portions of the article and form no part of the claimed design. The lines consisting of long lines and dots indicate conceptual border lines between the claimed portions and the disclaimed portions.

**1 Claim, 6 Drawing Sheets**

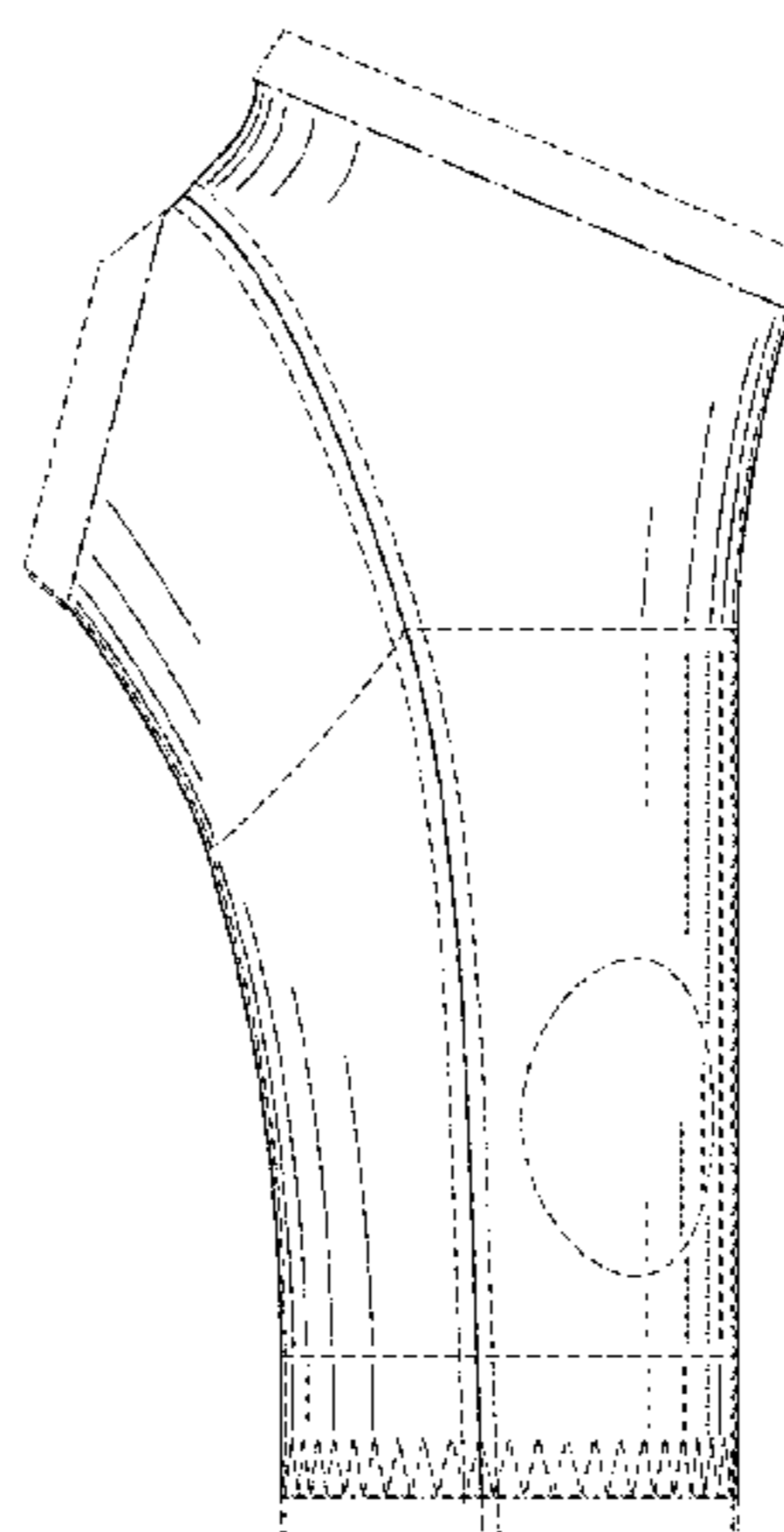
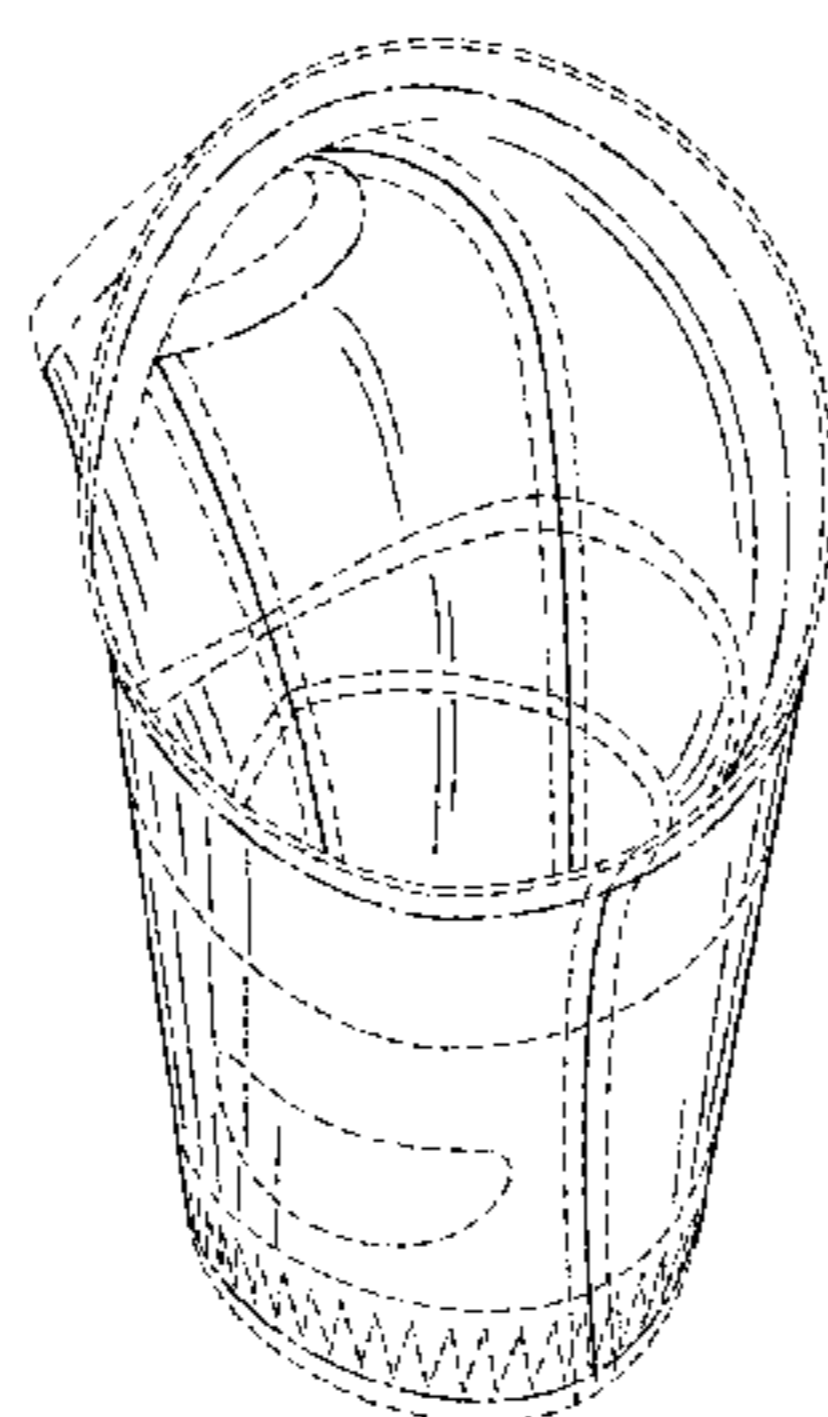


Fig. 1

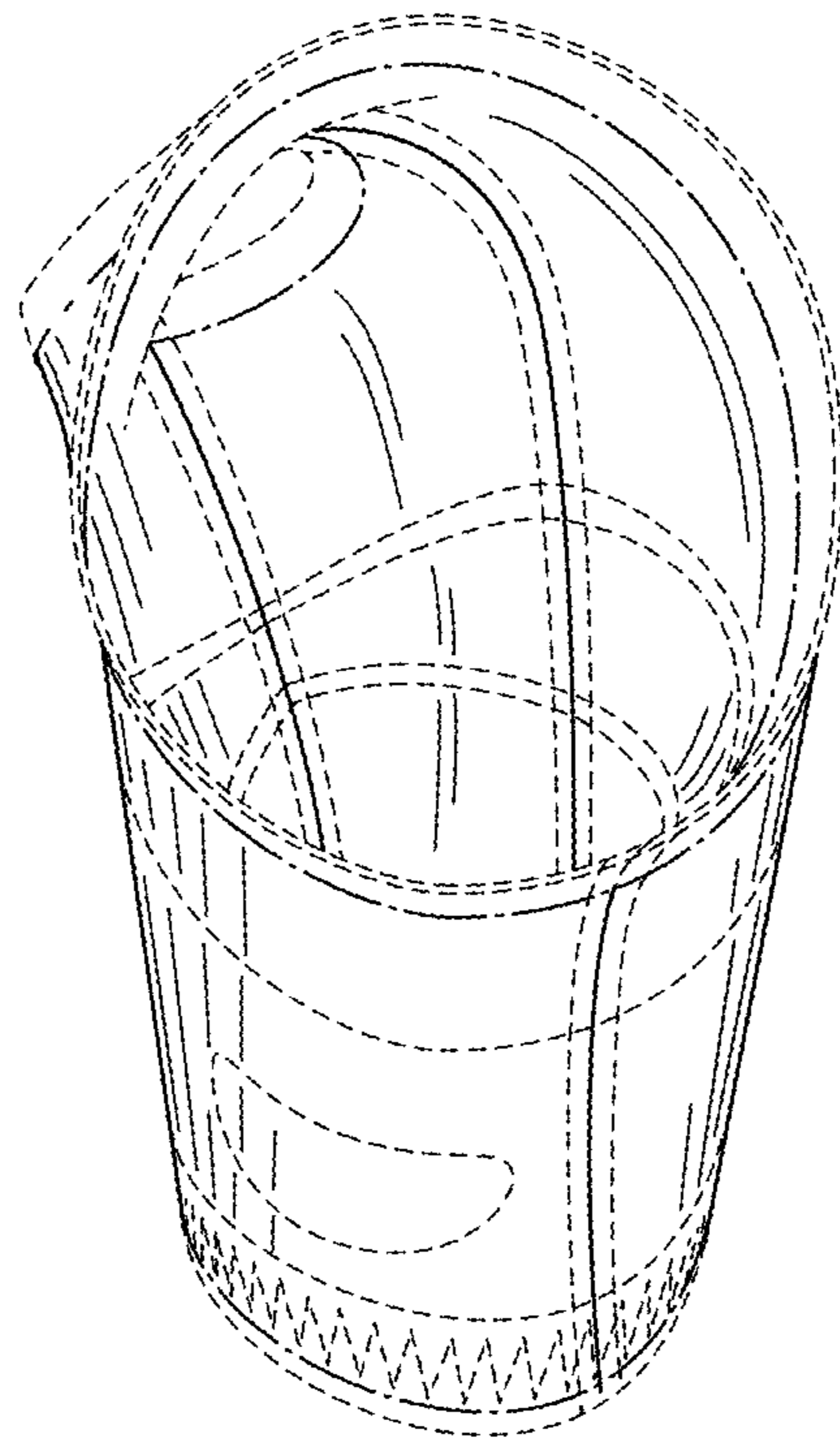


Fig.2

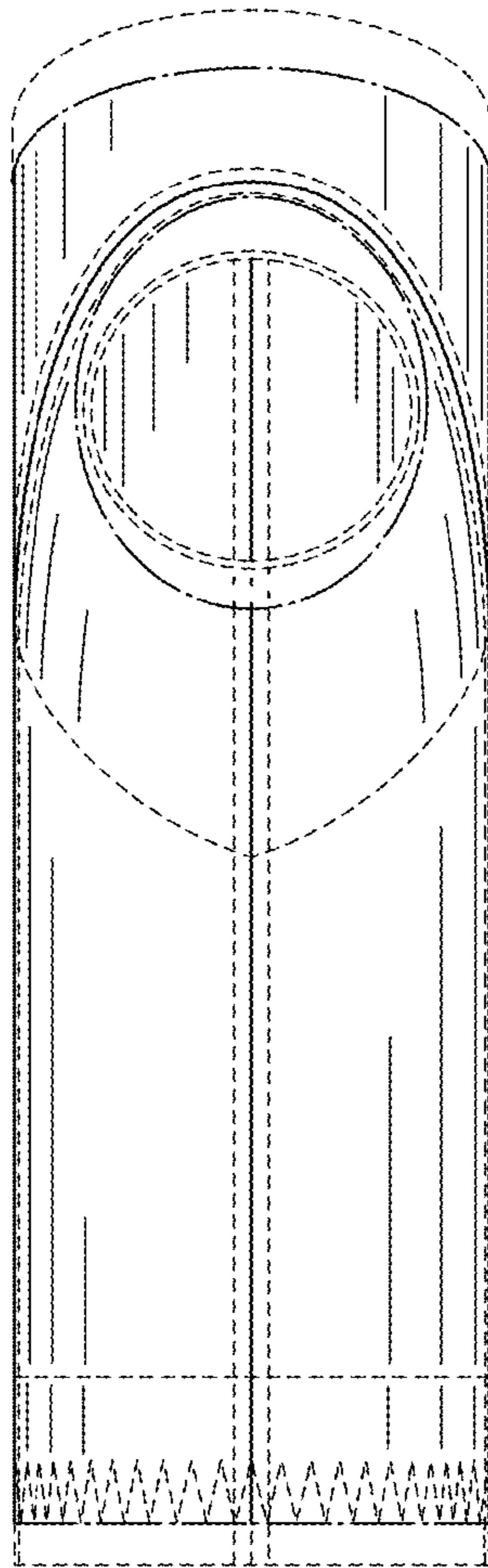


Fig.3

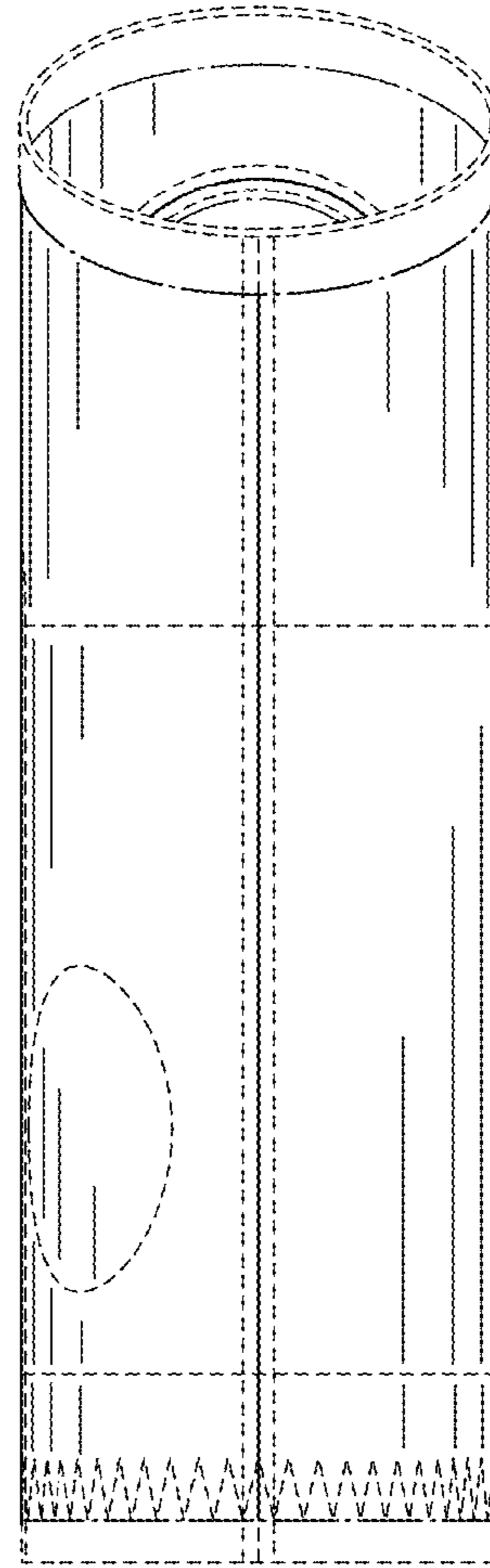


Fig.4

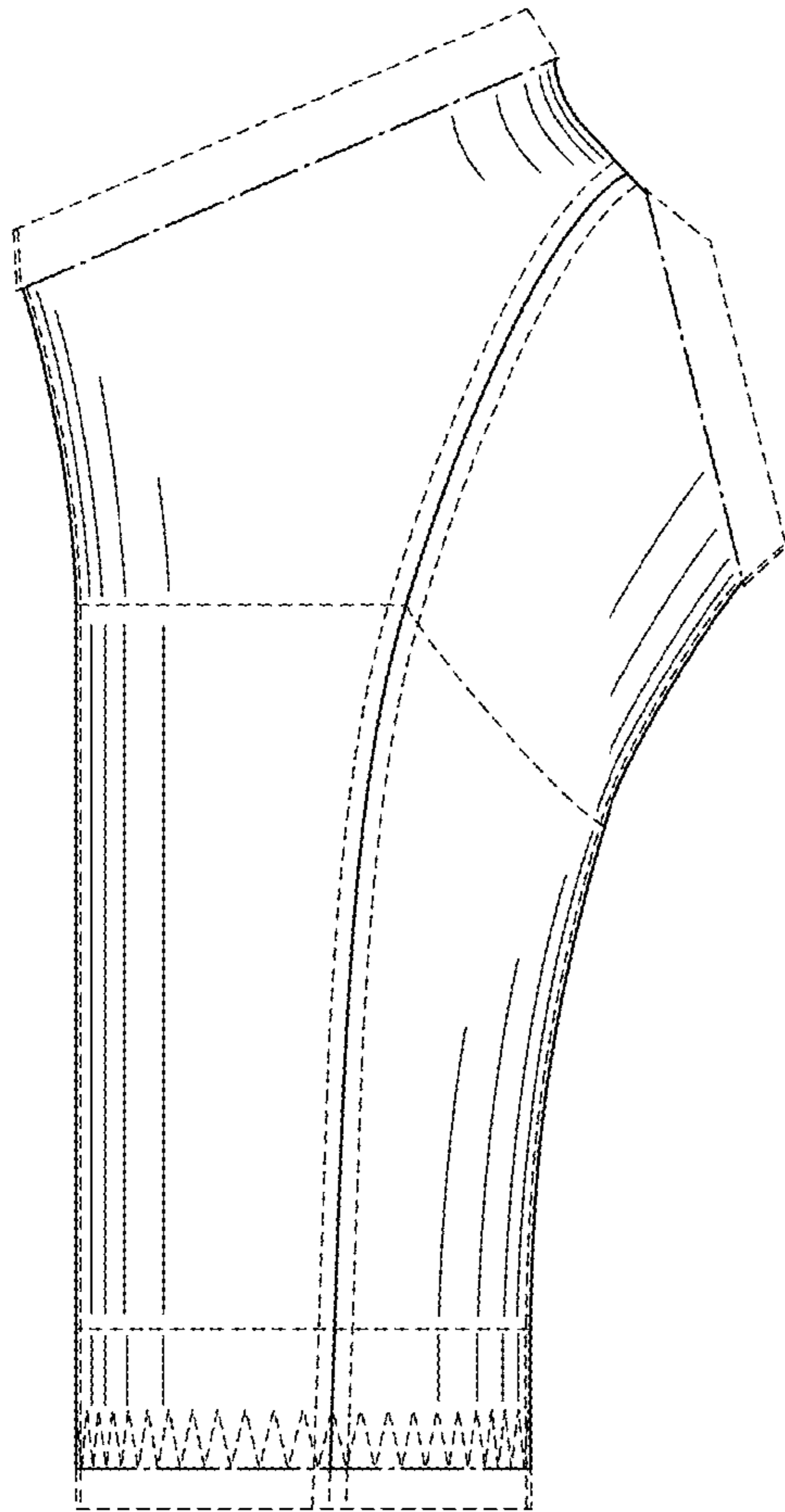


Fig.5

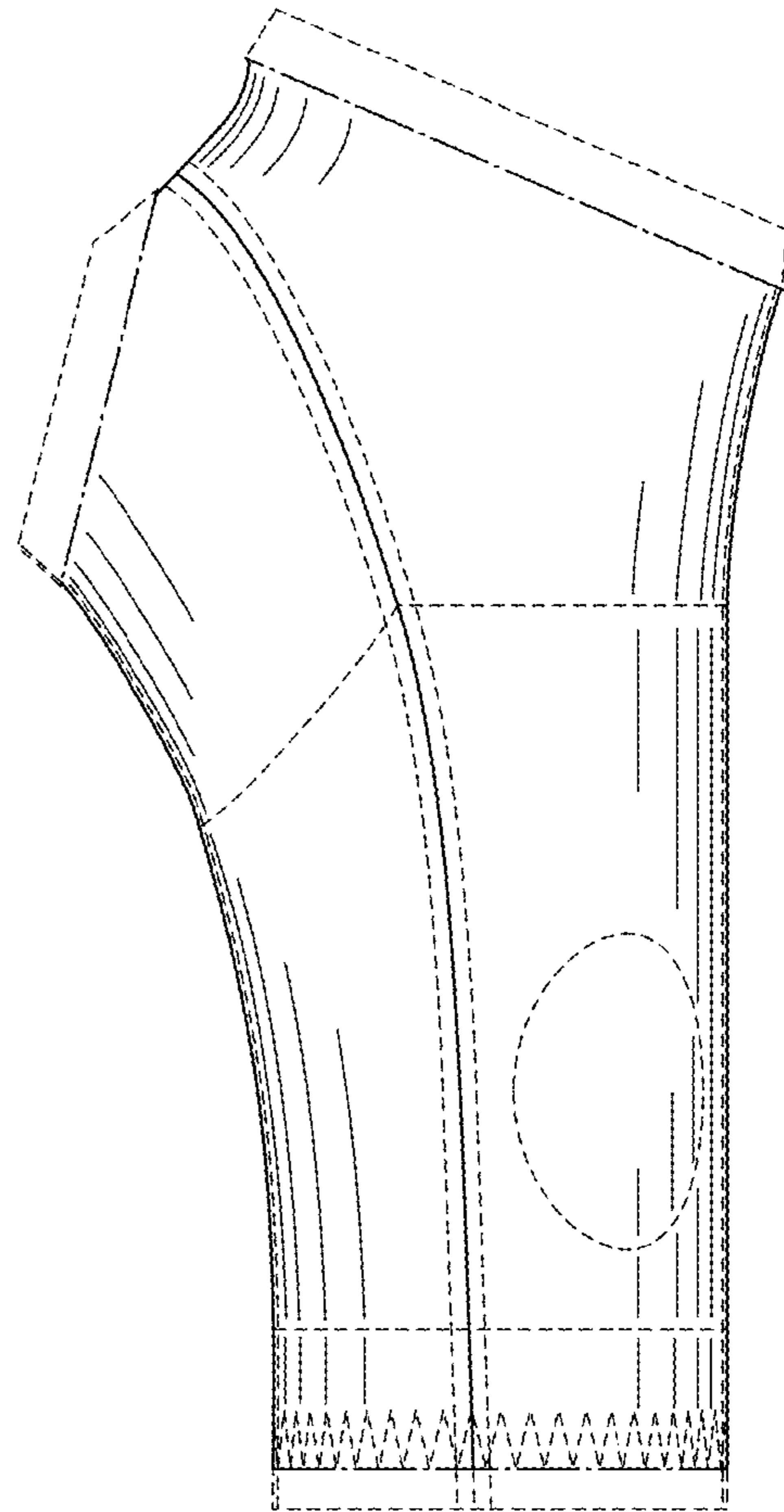


Fig.6

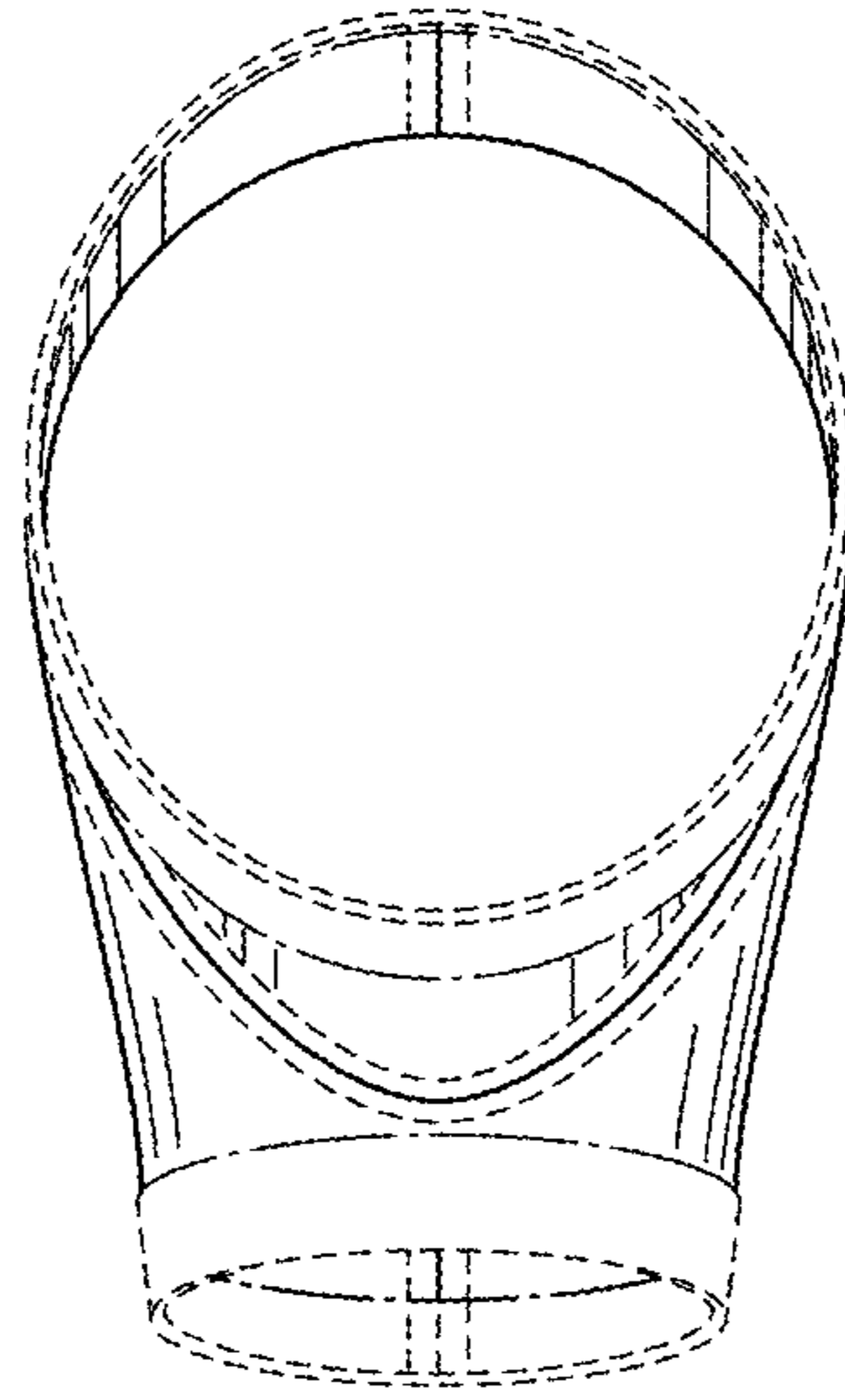


Fig.7

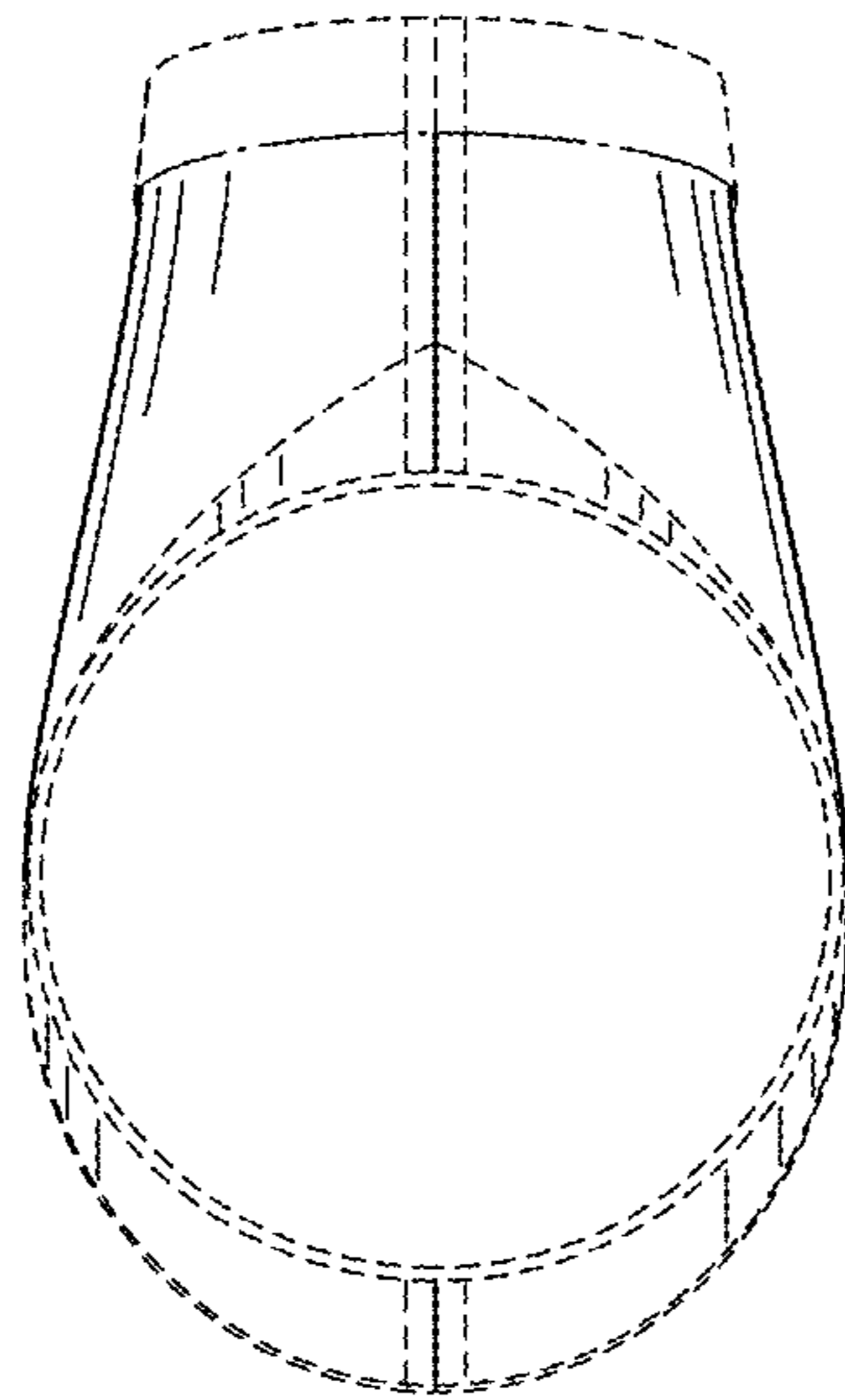




Fig.8

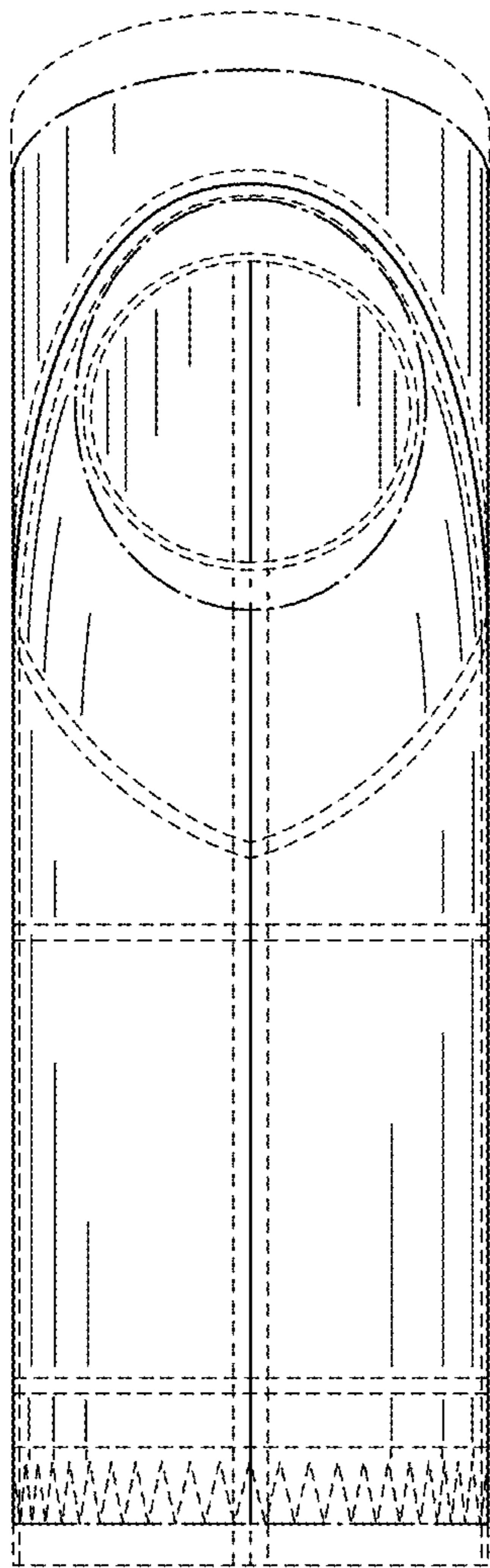


Fig.9

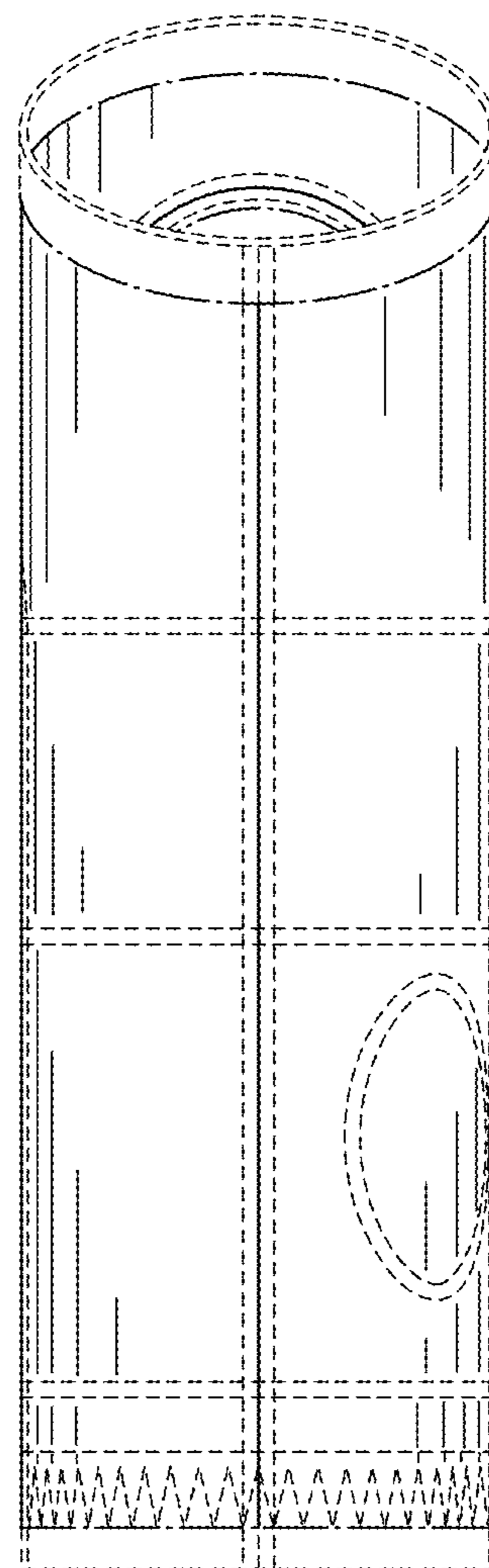


Fig.10

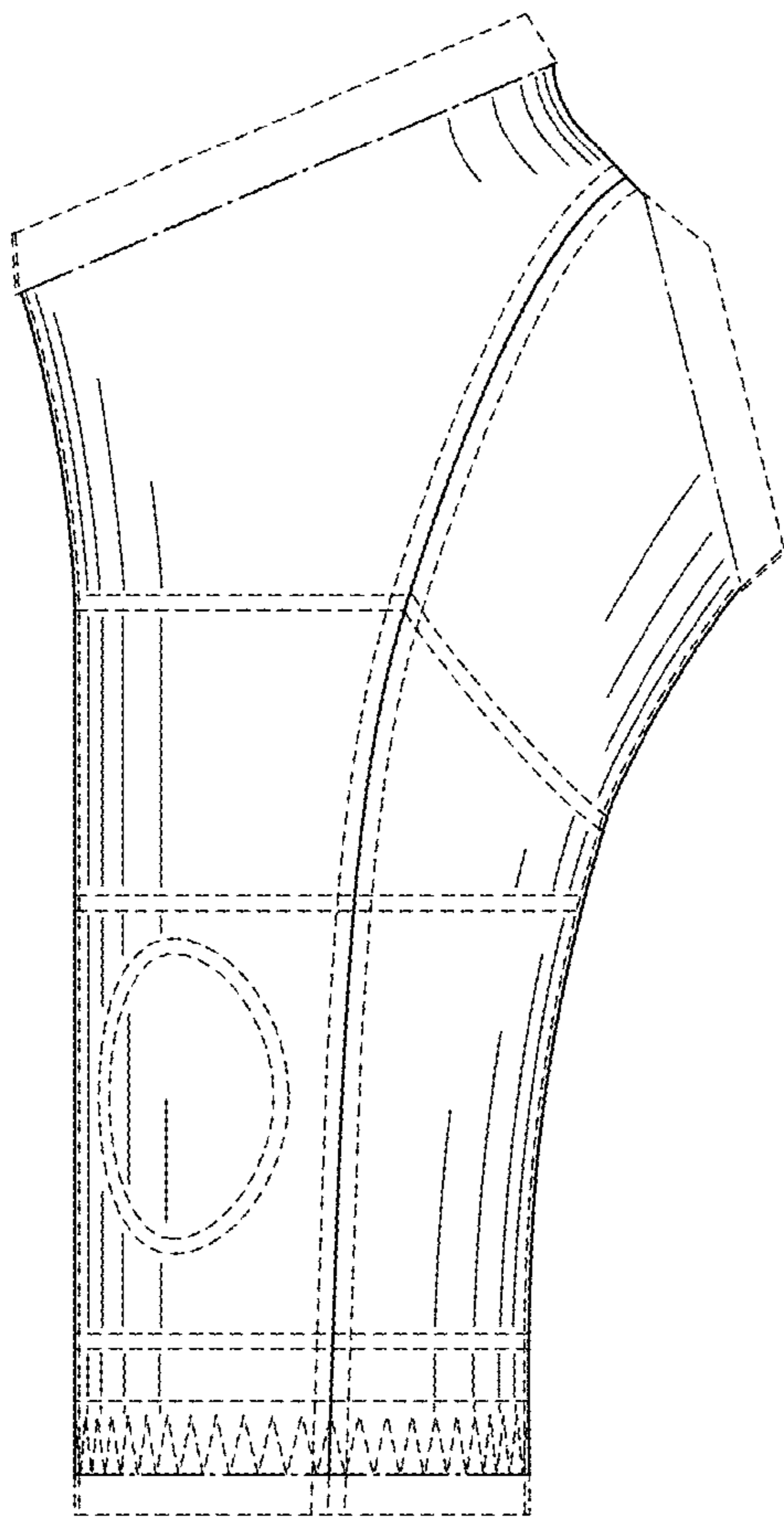


Fig.11

