



US00D770627S

(12) **United States Design Patent**  
**Bradley et al.**

(10) **Patent No.:** **US D770,627 S**

(45) **Date of Patent:** **\*\* Nov. 1, 2016**

(54) **ADHERENCE MONITOR HOLDER FOR AN ORAL APPLIANCE**

(71) Applicant: **BRAEBON MEDICAL CORPORATION**, Ottawa (CA)

(72) Inventors: **Donald Carmon Bradley**, Ottawa (CA); **Richard Anthony Bonato**, Carp (CA)

(73) Assignee: **BRAEBON Medical Corporation**, Ottawa (CA)

(\*\*) Term: **15 Years**

(21) Appl. No.: **29/530,956**

(22) Filed: **Jun. 22, 2015**

(51) **LOC (10) Cl.** ..... **24-02**

(52) **U.S. Cl.**  
USPC ..... **D24/176**

(58) **Field of Classification Search**  
USPC ..... D24/176-182, 184, 127-128, 185;  
D14/447, 451; 433/25, 33, 229;  
248/176.1, 309.1, 310  
CPC .... A61C 19/00; A61C 19/002; A61G 15/14;  
A61G 15/10; A61G 15/16  
See application file for complete search history.

(56) **References Cited**

**U.S. PATENT DOCUMENTS**

D237,202 S \* 10/1975 White ..... D15/126  
D280,761 S \* 9/1985 Silsby ..... D15/135

D346,657 S \* 5/1994 LaPlante ..... D24/176  
D513,322 S \* 12/2005 Jackson, III ..... D24/176  
D606,665 S \* 12/2009 Ahearn ..... D24/177  
D697,624 S \* 1/2014 Bausback ..... D24/177  
9,041,347 B2 \* 5/2015 Paschke ..... F16M 11/041  
320/108  
2013/0134282 A1 \* 5/2013 Negretti ..... A47B 23/04  
248/176.1

\* cited by examiner

*Primary Examiner* — Wan Laymon

(74) *Attorney, Agent, or Firm* — Jason R. Mueller-Neuhaus; Borden Ladner Gervais LLP

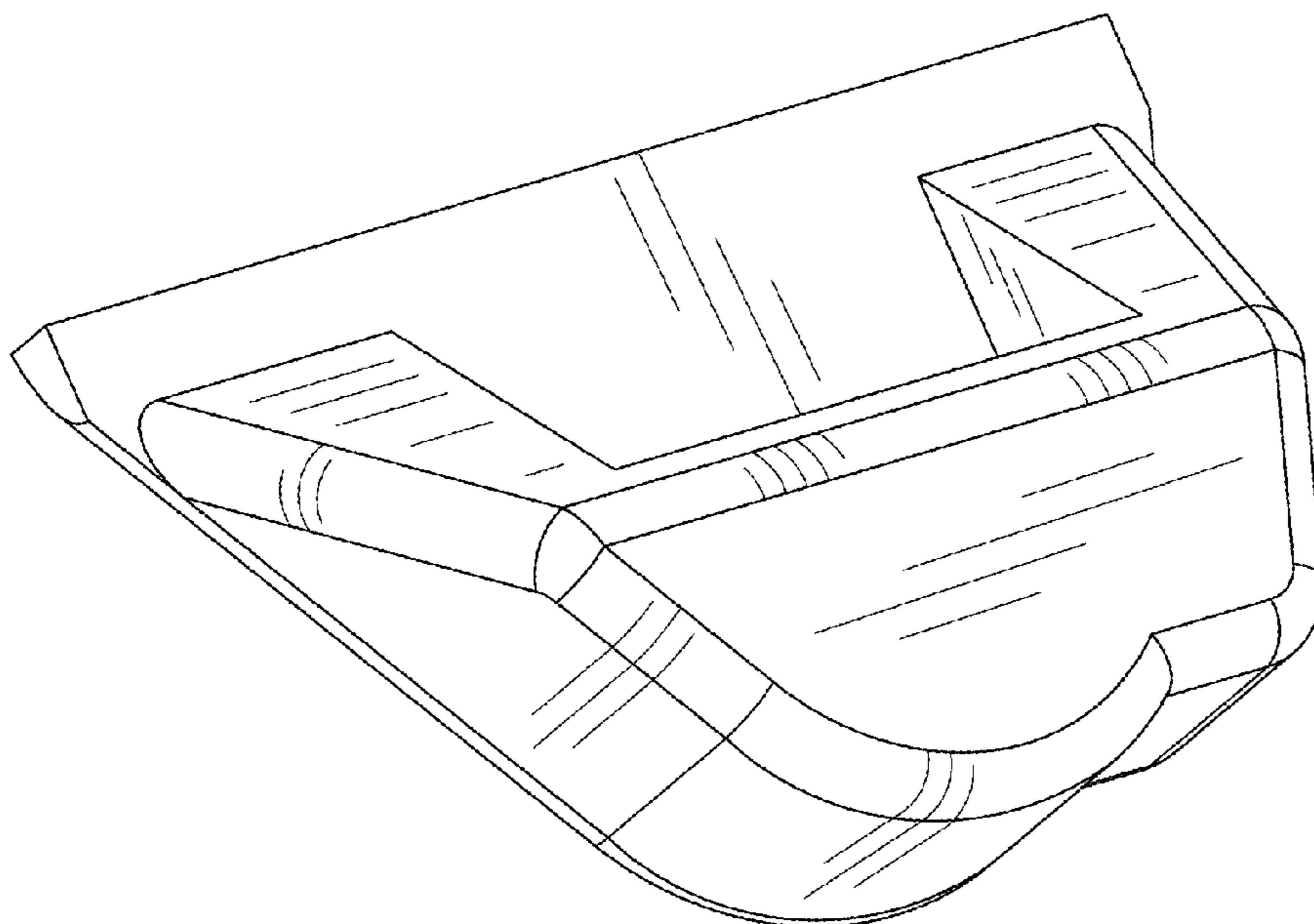
(57) **CLAIM**

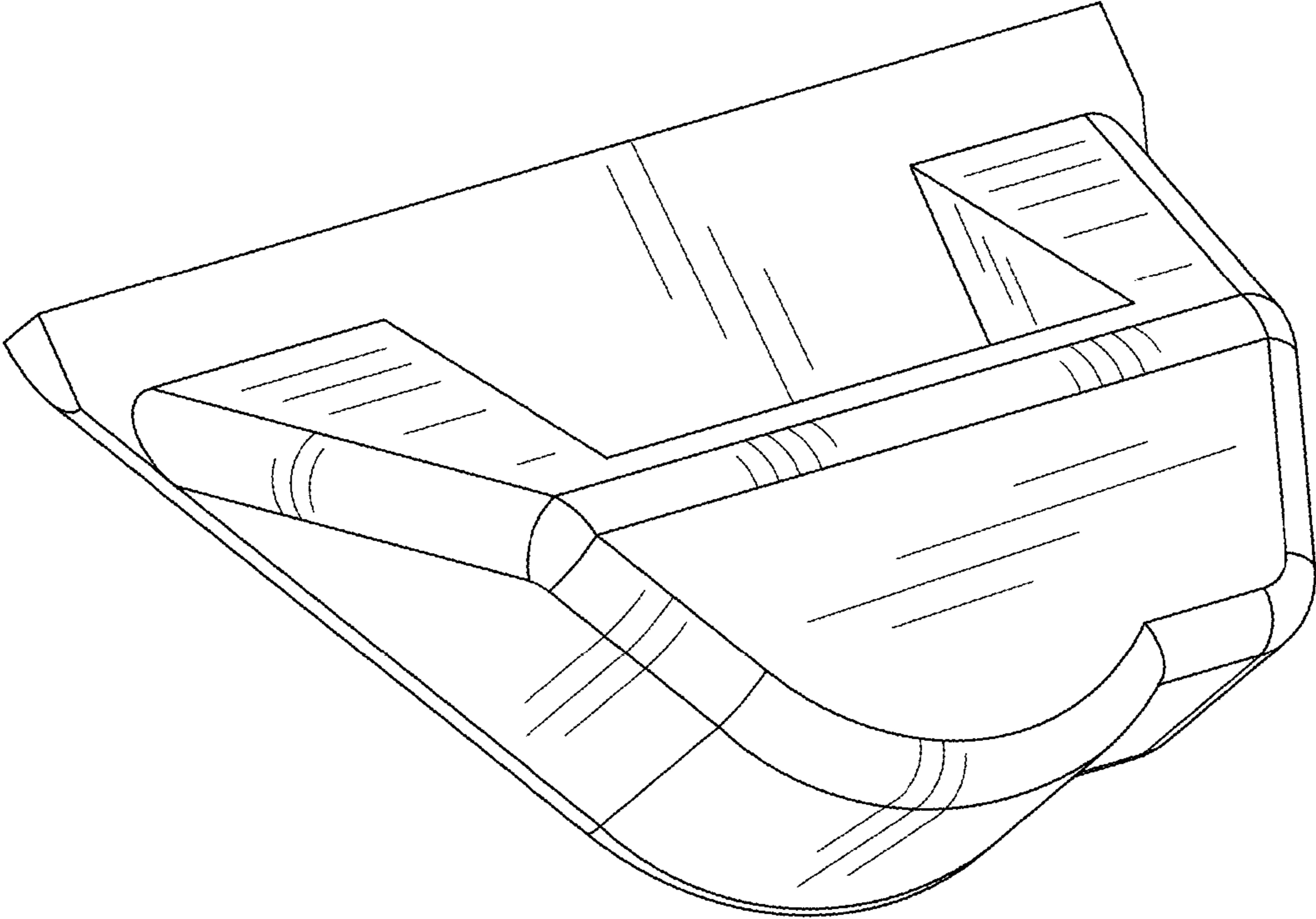
The ornamental design for adherence monitor holder for an oral appliance, as shown and described.

**DESCRIPTION**

FIG. 1 is a top perspective view of the adherence monitor holder for an oral appliance;  
FIG. 2 is a top view thereof;  
FIG. 3 is a bottom view thereof;  
FIG. 4 is a front view thereof;  
FIG. 5 is a rear side view thereof;  
FIG. 6 is a left side view thereof; and,  
FIG. 7 is right side view thereof.  
Shading is used in the drawings to better illustrate the design.  
Portions of the adherence monitor holder for an oral appliance shown in broken lines form no part of the claimed design.

**1 Claim, 7 Drawing Sheets**





**FIG. 1**

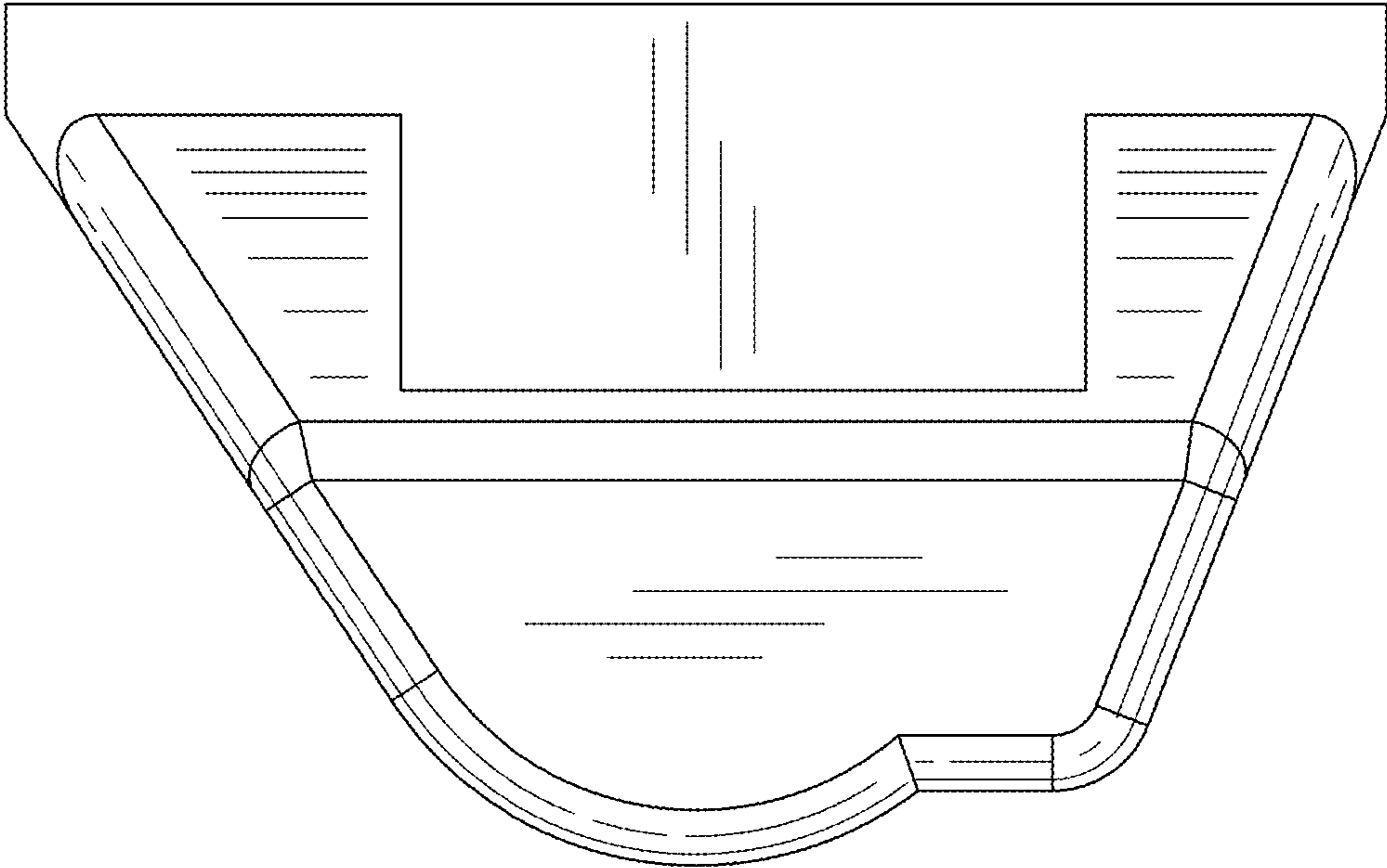
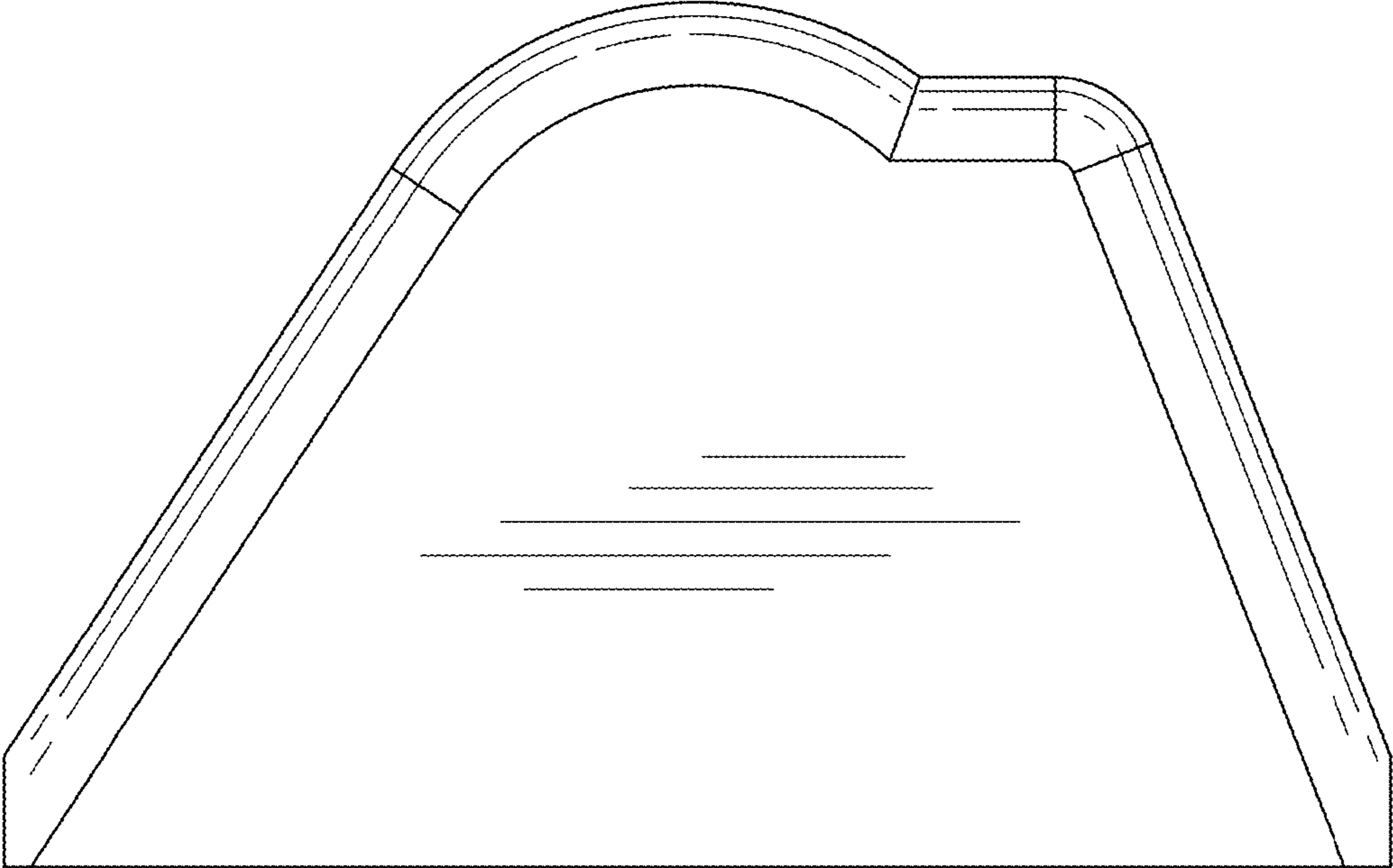
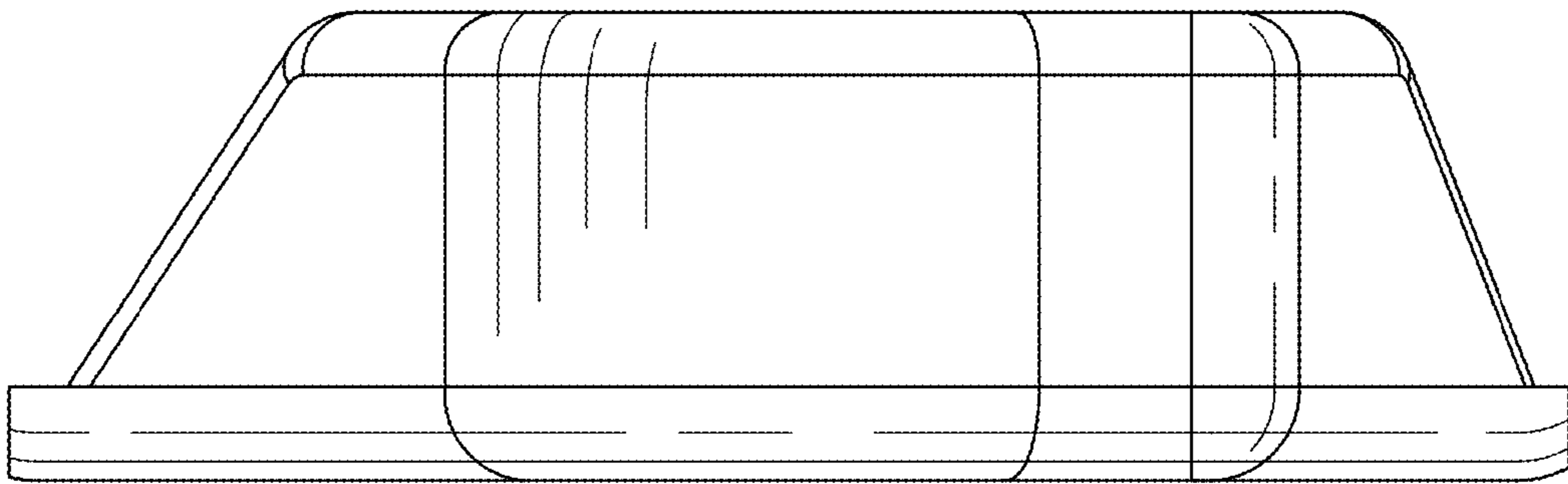


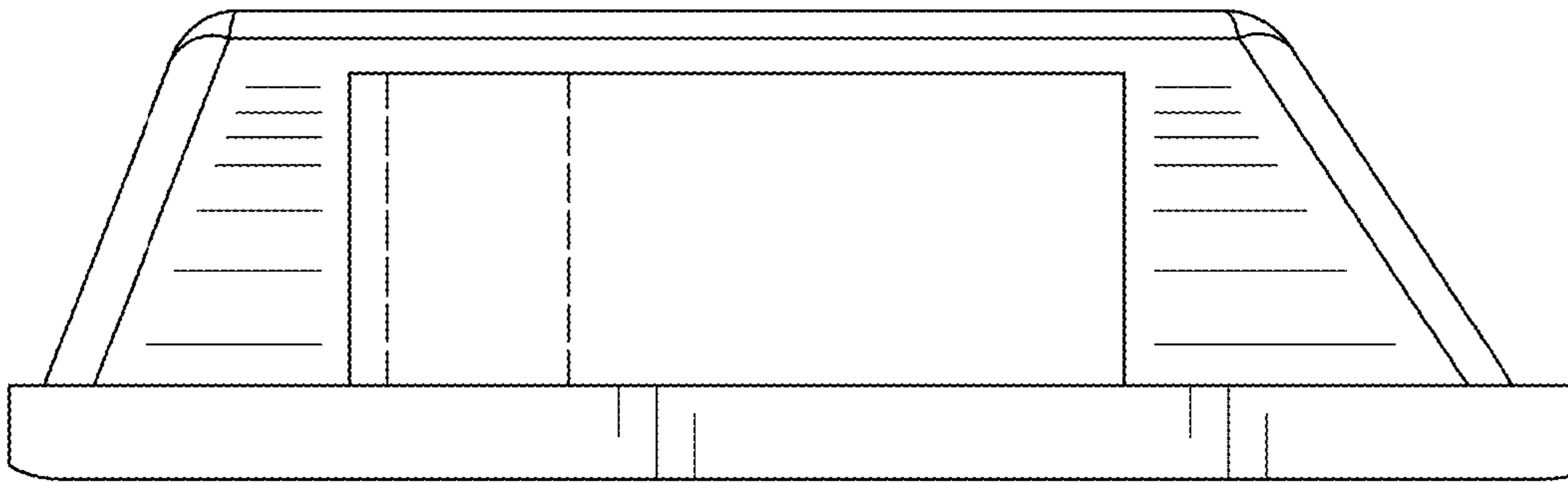
FIG. 2



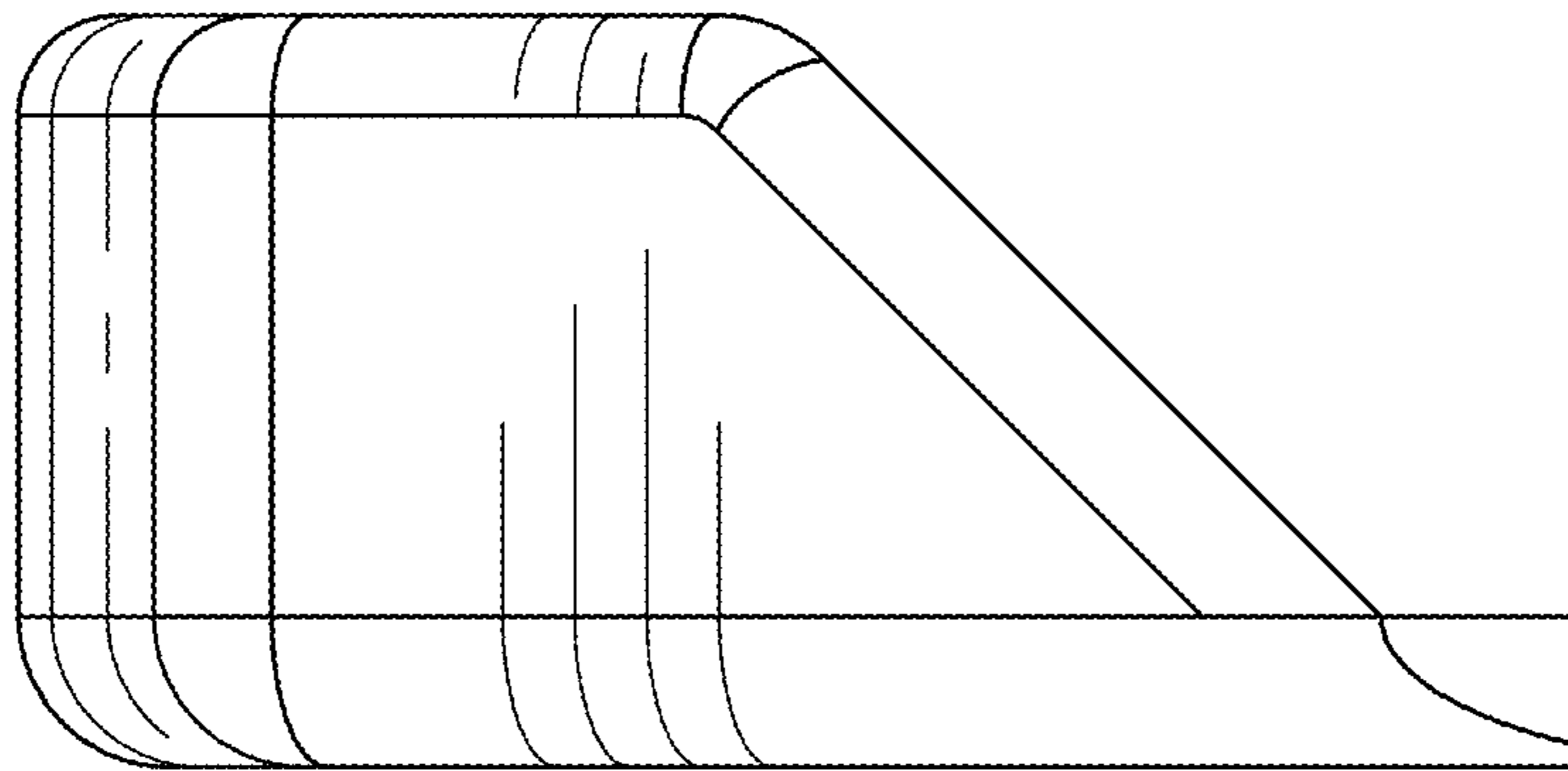
**FIG. 3**



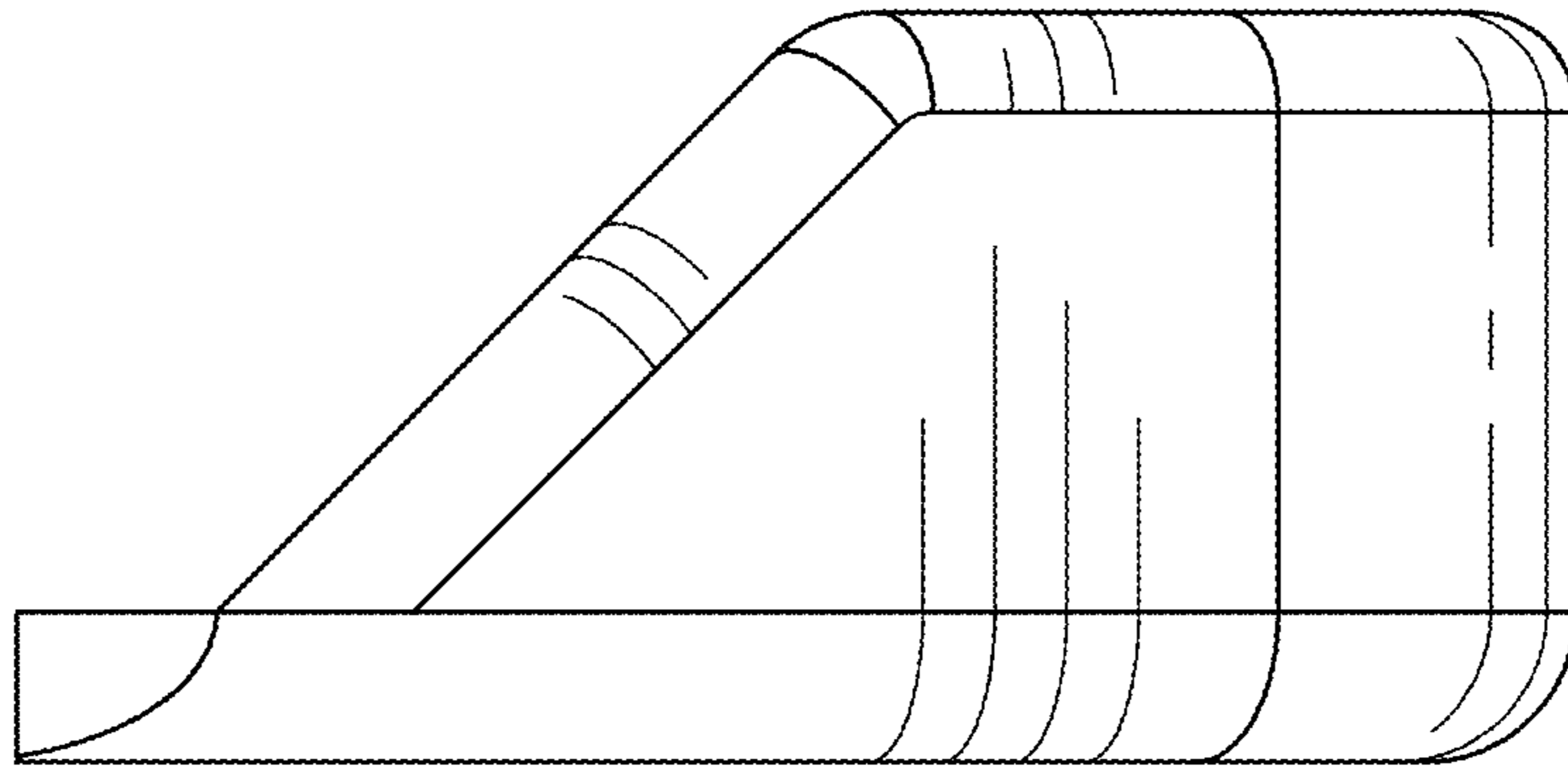
**FIG. 4**



**FIG. 5**



**FIG. 6**



**FIG. 7**