



US00D770626S

(12) **United States Design Patent**
Werner et al.

(10) **Patent No.:** **US D770,626 S**
(45) **Date of Patent:** **** Nov. 1, 2016**

(54) **DISPLAY FOR DENTAL SCALER**
(71) Applicant: **Dentsply International, Inc.**, York, PA (US)
(72) Inventors: **Peter H. Werner**, Columbia, PA (US); **Michael C. Dietrich**, East Petersburg, PA (US); **David J. Kierce**, York, PA (US); **Jeremy J. Kile**, York, PA (US); **Jill C. Denna**, Kalamazoo, MI (US); **Clifford Krapfl**, Chicago, IL (US); **Thomas R. Mitchell**, Chicago, IL (US)
(73) Assignee: **Dentsply International, Inc.**, York, PA (US)
(**) Term: **15 Years**

D661,399 S * 6/2012 Wang D24/176
8,314,605 B2 * 11/2012 Pruckner A61C 17/20
324/120
2007/0166662 A1 * 7/2007 Lint A61C 17/20
433/101
2009/0162810 A1 * 6/2009 Werner A61C 17/20
433/119
2016/0038257 A1 * 2/2016 Eder A61C 1/0061
433/118

* cited by examiner

Primary Examiner — Wan Laymon
(74) *Attorney, Agent, or Firm* — Baker & Hostetler LLP

(21) Appl. No.: **29/530,699**
(22) Filed: **Jun. 18, 2015**
(51) **LOC (10) Cl.** **24-02**
(52) **U.S. Cl.**
USPC **D24/176**
(58) **Field of Classification Search**
USPC D24/176–180; D10/46
CPC A61C 17/20; A61C 1/0007; A61C 1/02;
A61C 1/0084; A61C 1/088
See application file for complete search history.

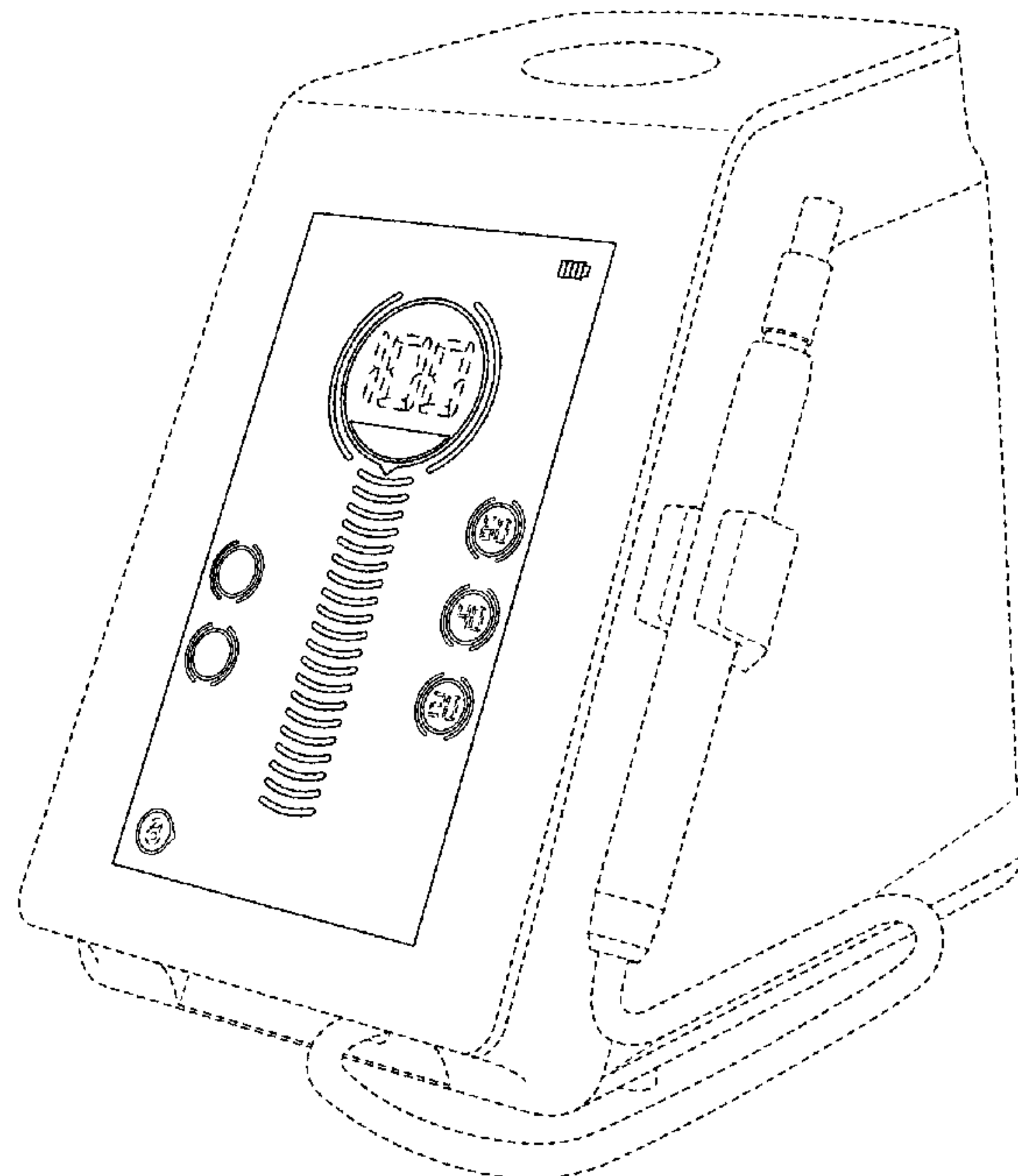
(57) **CLAIM**
The ornamental design for a display for a dental scaler, as shown and described.

DESCRIPTION

FIG. 1 is a front perspective view of a display for dental scaler in accordance with our new design; FIG. 2 is a front elevational view thereof; FIG. 3 is a top plan view thereof; FIG. 4 is a front display of FIG. 1 with the environmental structure removed for ease of illustration; FIG. 5 is a second embodiment of the display for dental scaler of FIG. 1; and, FIG. 6 is a third embodiment of the display for dental scaler of FIG. 1.
The broken lines showing various features in the figures represent portions of the dental scaler with display that form no part of the claimed design.

(56) **References Cited**
U.S. PATENT DOCUMENTS
7,131,837 B2 * 11/2006 Guaragno A61C 17/20
433/119
D539,428 S * 3/2007 Nakanishi D24/177

1 Claim, 6 Drawing Sheets



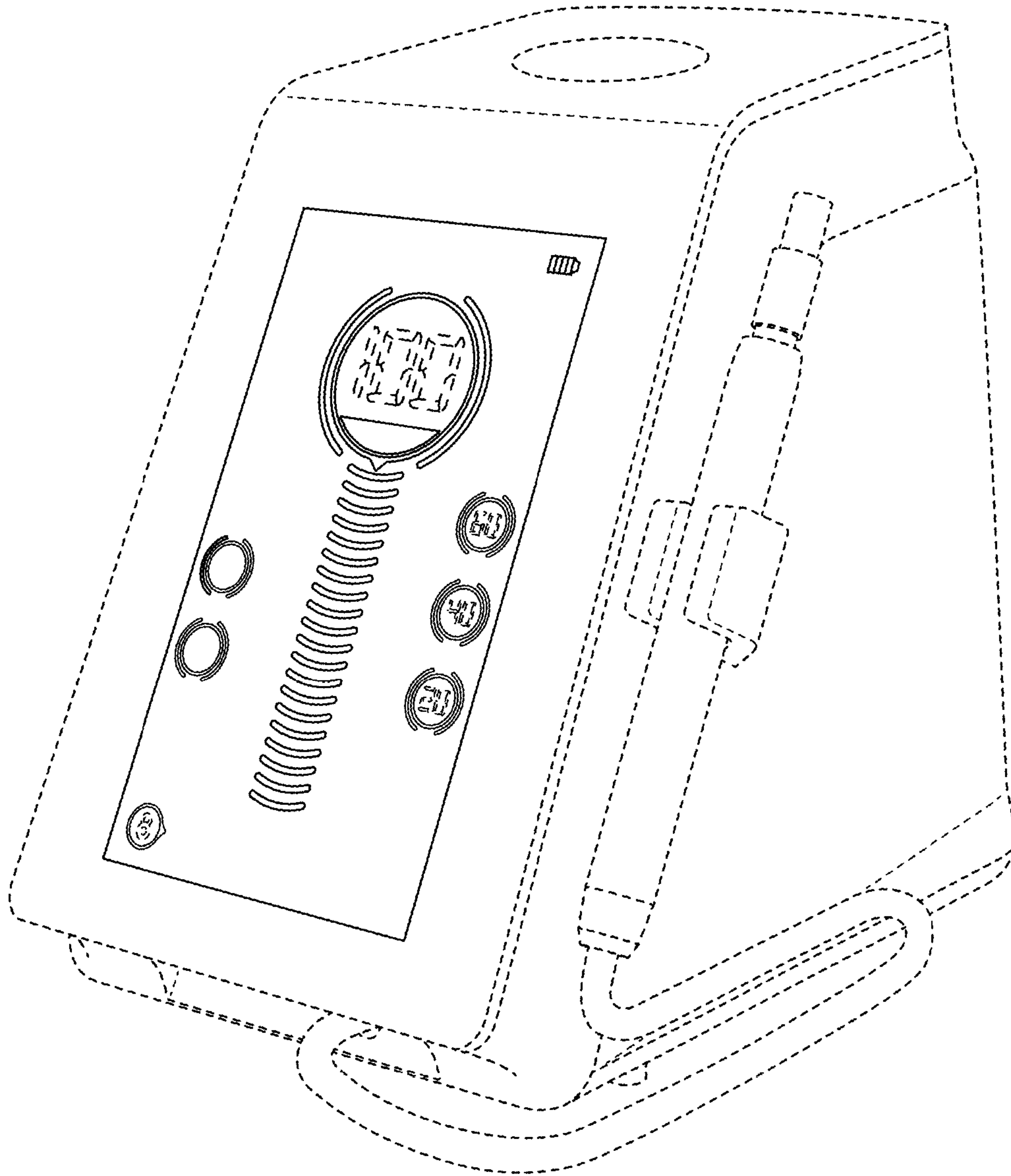


FIG. 1

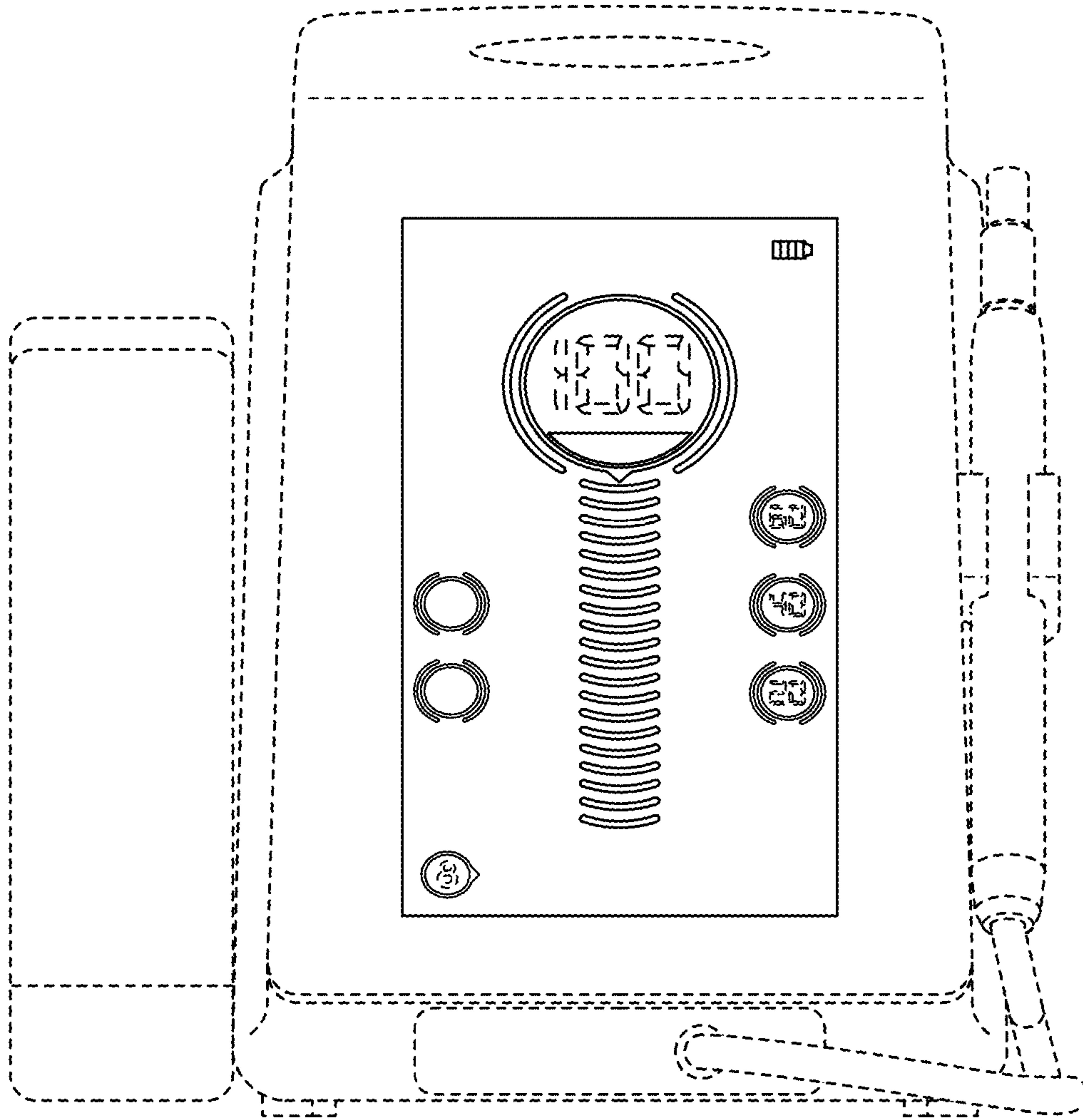


FIG. 2

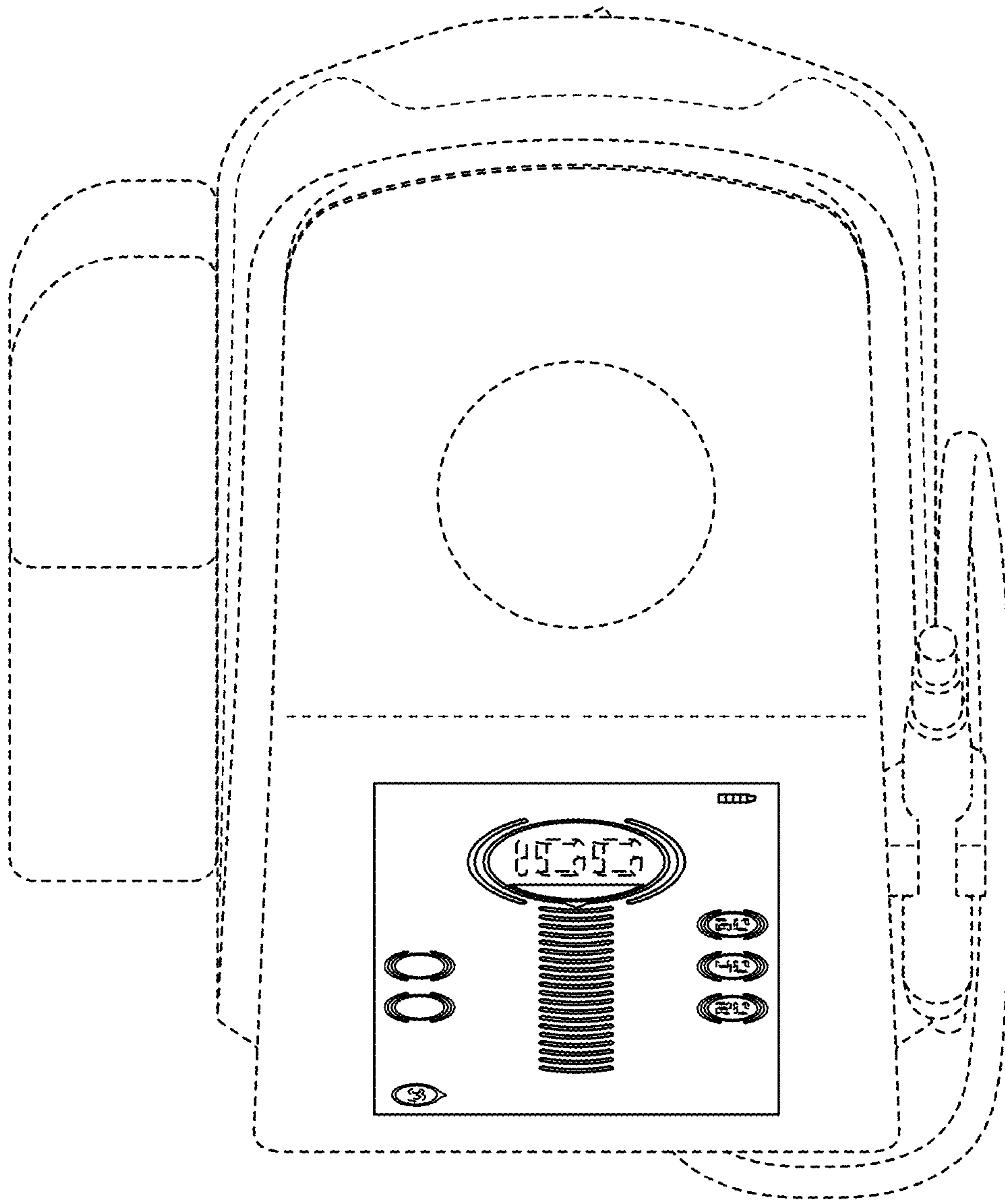


FIG. 3

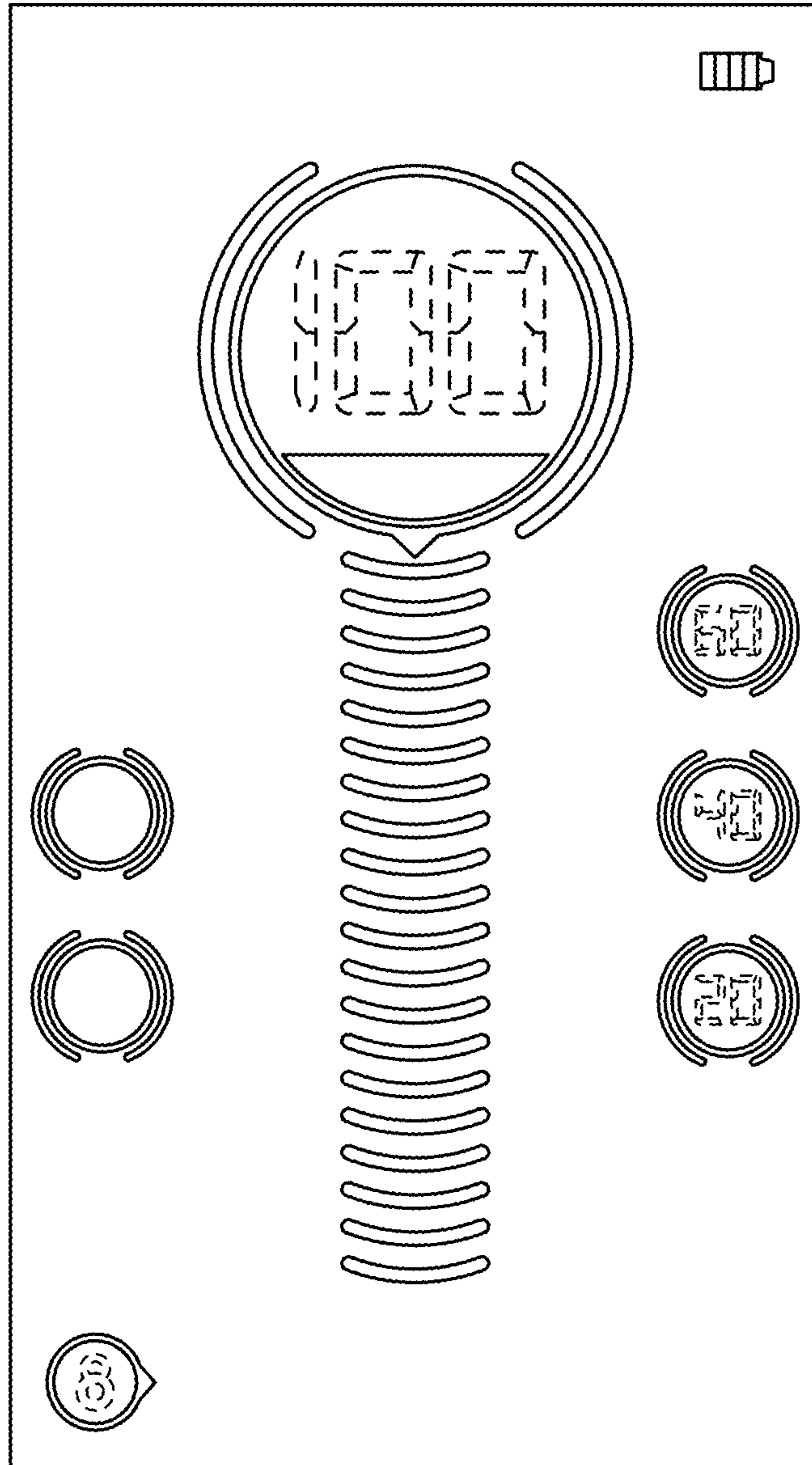


FIG. 4

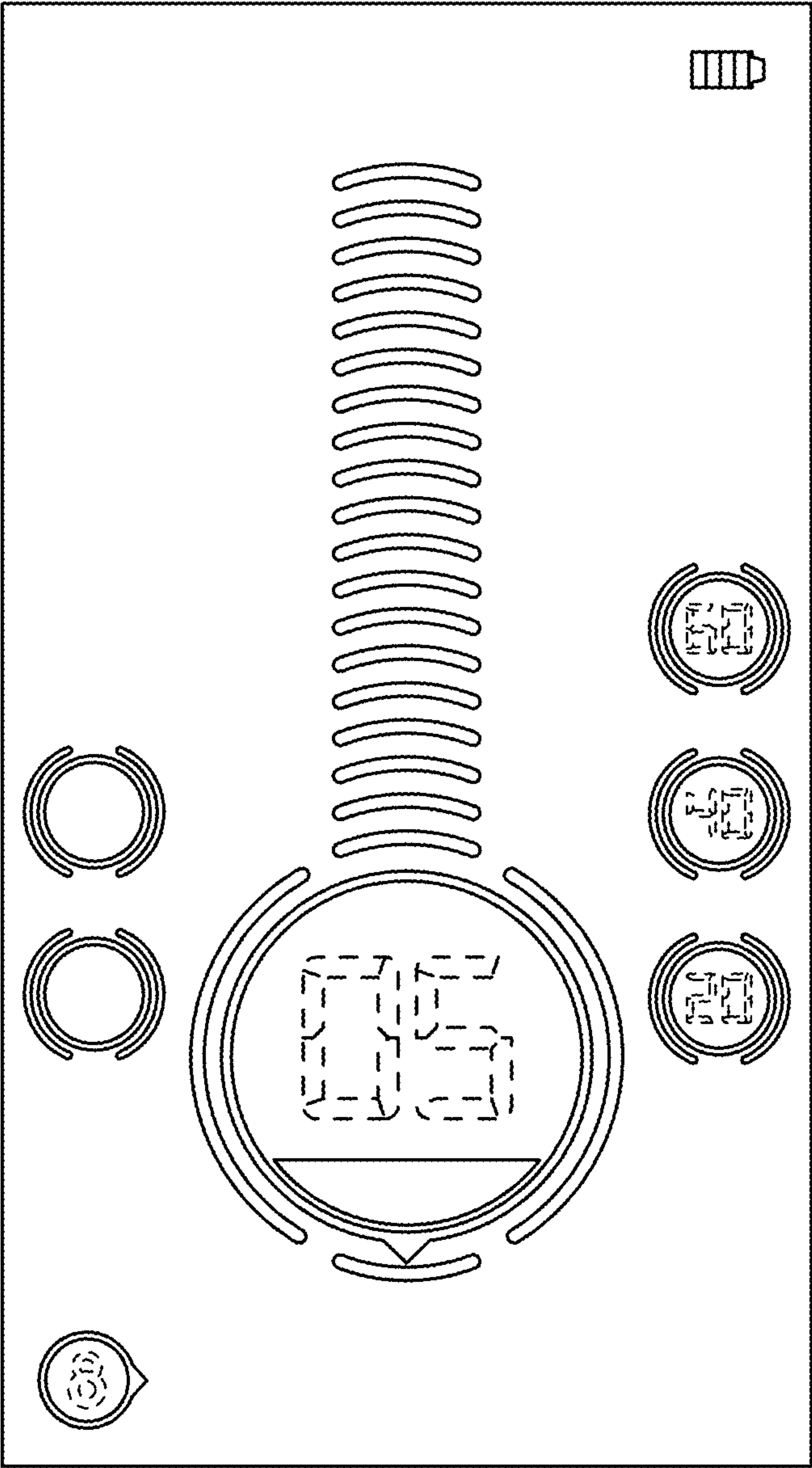


FIG. 5

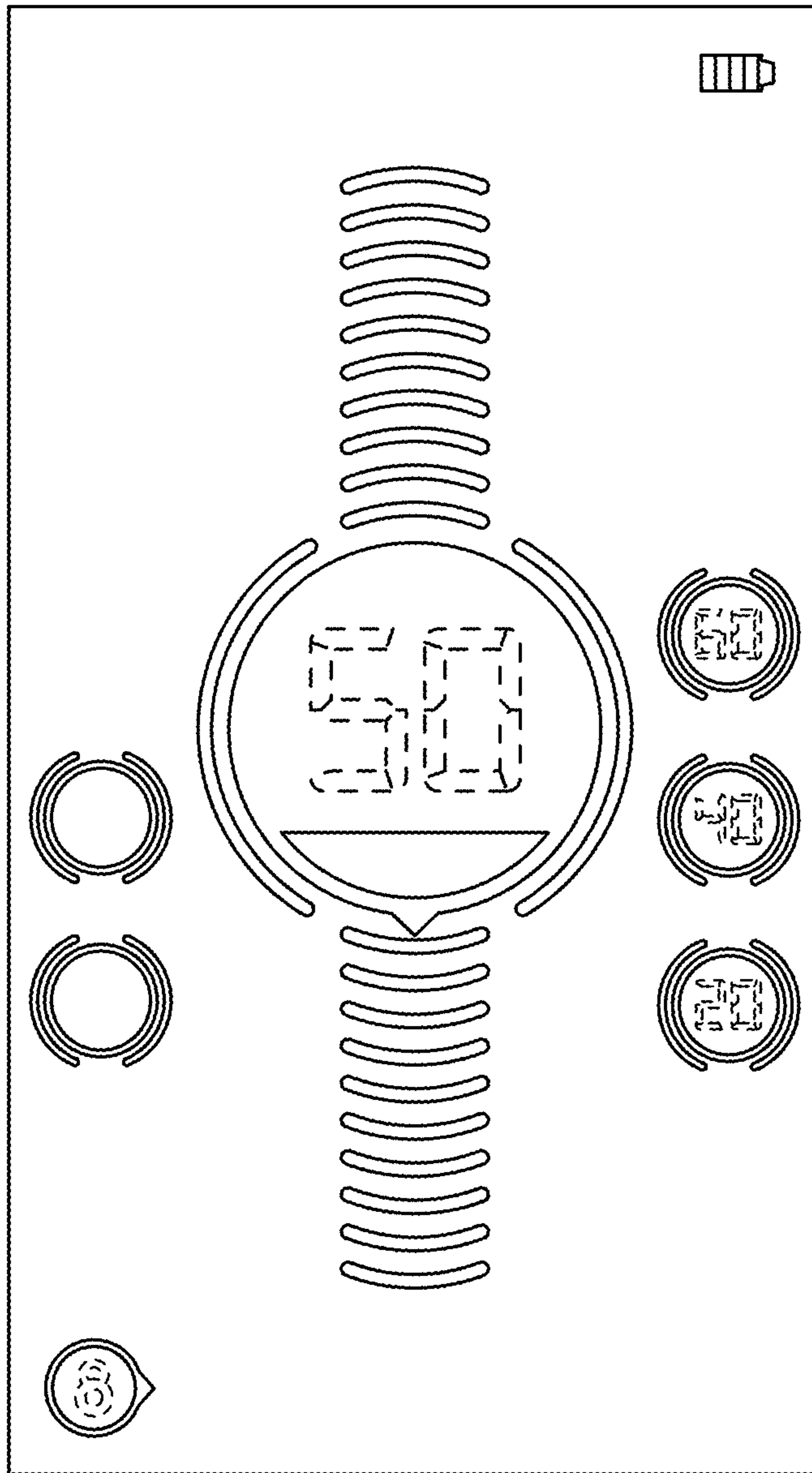


FIG. 6