



US00D770621S

(12) **United States Design Patent** (10) **Patent No.:** **US D770,621 S**  
**Matheny** (45) **Date of Patent:** **\*\* Nov. 1, 2016**

(54) **NASAL SUPPORT DEVICE**  
(71) Applicant: **Matheny ENTerprises, LLC**, Plano, TX (US)  
(72) Inventor: **Keith E. Matheny**, Plano, TX (US)  
(73) Assignee: **Matheny ENTerprises, LLC**, Plano, TX (US)  
(\*\*) Term: **15 Years**  
(21) Appl. No.: **29/546,255**  
(22) Filed: **Nov. 20, 2015**

8,709,080 B2 \* 4/2014 Marten et al. .... A61B 17/0057  
623/9  
8,740,929 B2 \* 6/2014 Gopferich et al. .... A61F 2/186  
424/425  
D745,969 S \* 12/2015 Matheny ..... D24/155  
2005/0203450 A1 \* 9/2005 Shippert ..... A61F 5/08  
602/7  
2006/0142736 A1 \* 6/2006 Hissink ..... A61F 11/002  
604/540  
2012/0071913 A1 \* 3/2012 Tamez ..... A61F 5/08  
606/199  
2013/0338700 A1 \* 12/2013 Matheny ..... A61M 35/00  
606/199

\* cited by examiner

*Primary Examiner* — Charles Hanson  
(74) *Attorney, Agent, or Firm* — Conley Rose, P.C.;  
Rodney B. Carroll

**Related U.S. Application Data**

(62) Division of application No. 29/432,554, filed on Sep. 17, 2012, now Pat. No. Des. 745,969.  
(51) **LOC (10) Cl.** ..... **24-02**  
(52) **U.S. Cl.**  
USPC ..... **D24/155**  
(58) **Field of Classification Search**  
USPC ..... D24/155–157  
CPC ..... A61F 5/08; A61F 2/186; A61F 11/002  
See application file for complete search history.

(57) **CLAIM**

The ornamental design of a nasal support device, substantially shown and described.

**DESCRIPTION**

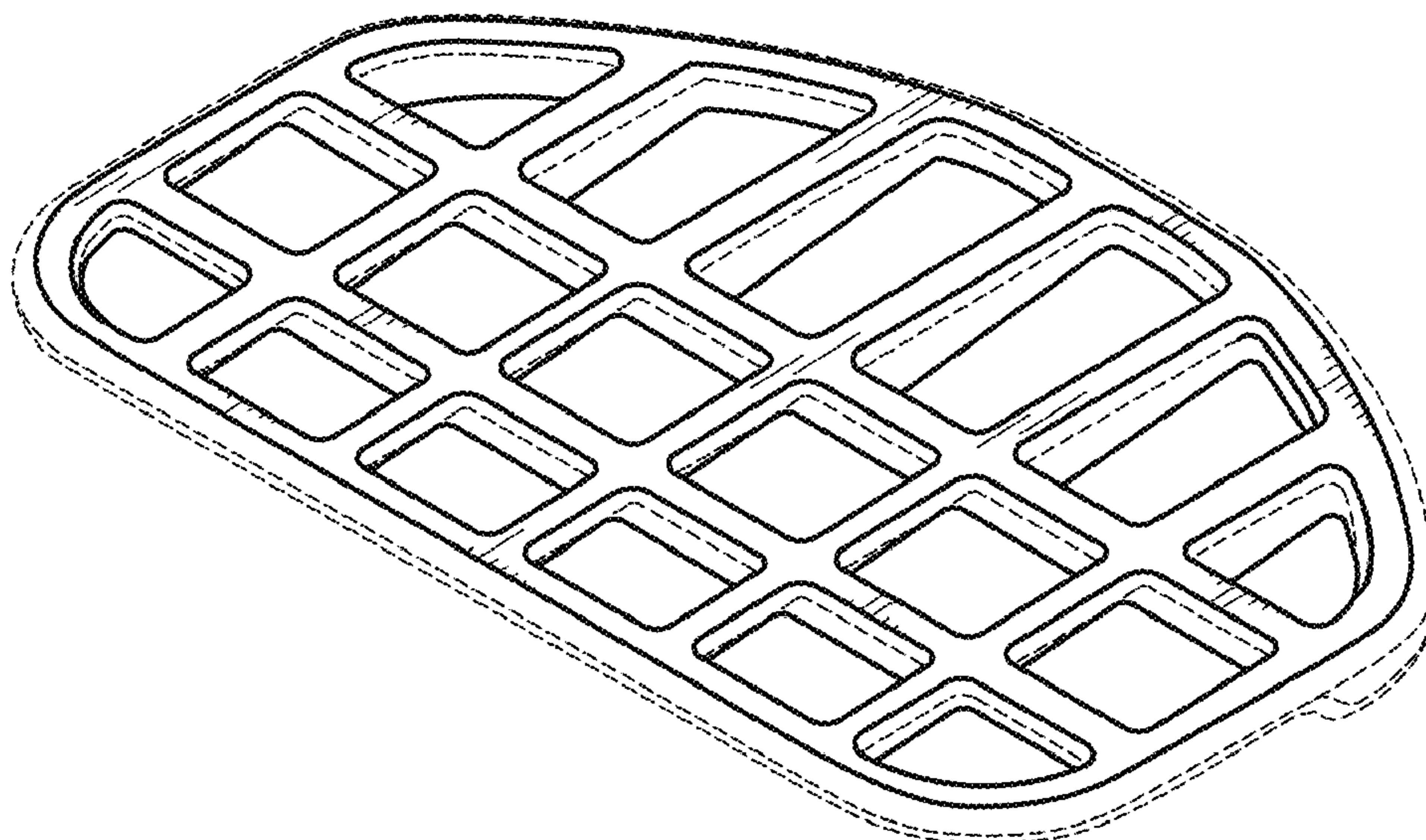
FIG. 1 is a top perspective view of an embodiment of a nasal support device;  
FIG. 2 is a bottom perspective view thereof;  
FIG. 3 is a first side view thereof;  
FIG. 4 is a second side view thereof, wherein the second side view is opposed to the first side view;  
FIG. 5 is a third side view thereof;  
FIG. 6 is a fourth side view thereof, wherein the fourth side view is opposed to the third side view;  
FIG. 7 is a top view thereof; and,  
FIG. 8 is a bottom view thereof.  
The broken line showing is included for the purpose of illustrating unclaimed subject matter and forms no part of the claimed design.

(56) **References Cited**

**U.S. PATENT DOCUMENTS**

5,601,594 A \* 2/1997 Best ..... A61F 5/08  
606/196  
D468,826 S \* 1/2003 Doyle ..... D24/128  
7,022,890 B2 \* 4/2006 Sessions ..... A61F 13/12  
602/46  
8,585,753 B2 \* 11/2013 Scanlon et al. .... A61F 2/07  
623/1.42

**1 Claim, 3 Drawing Sheets**



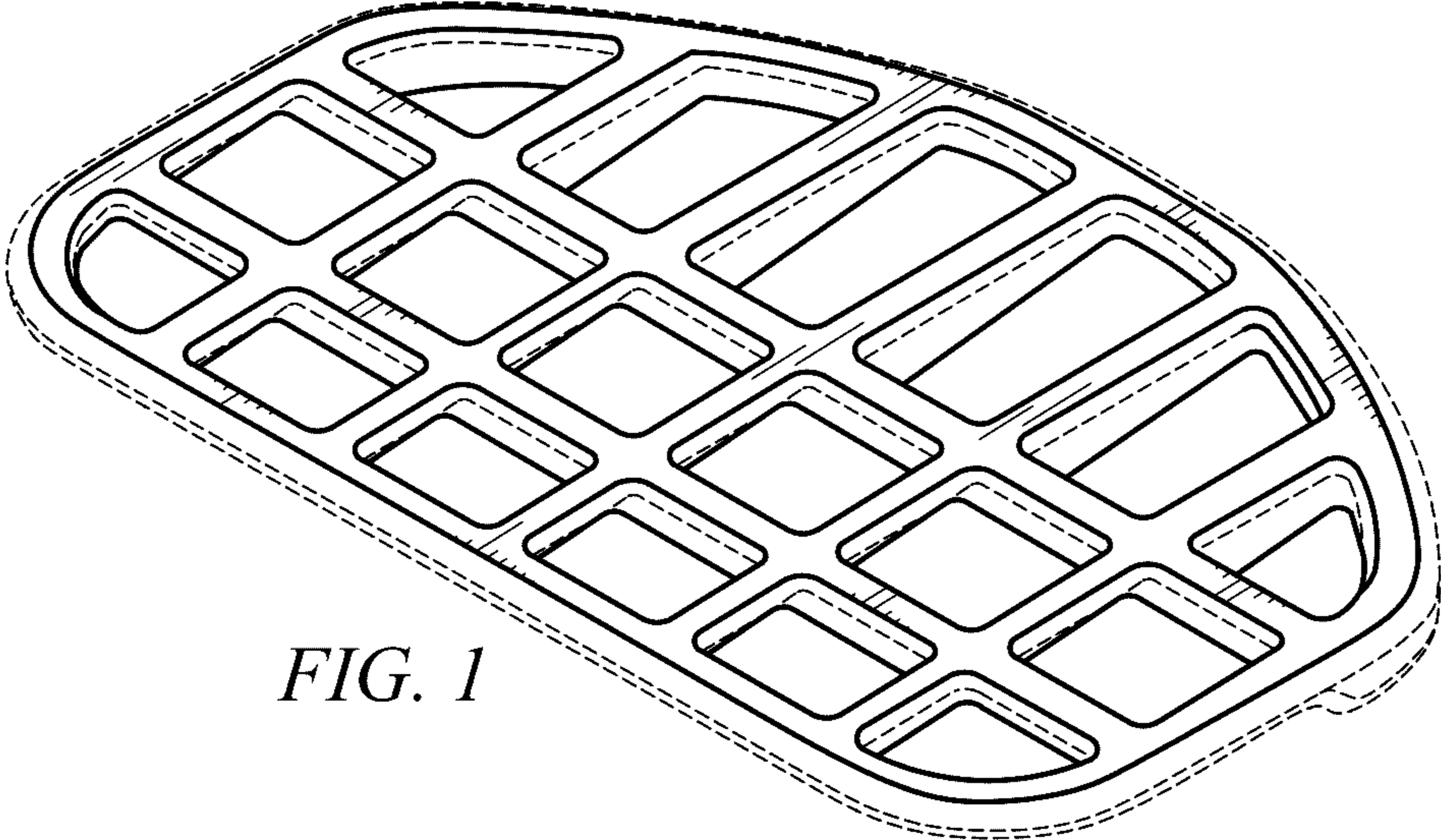


FIG. 1

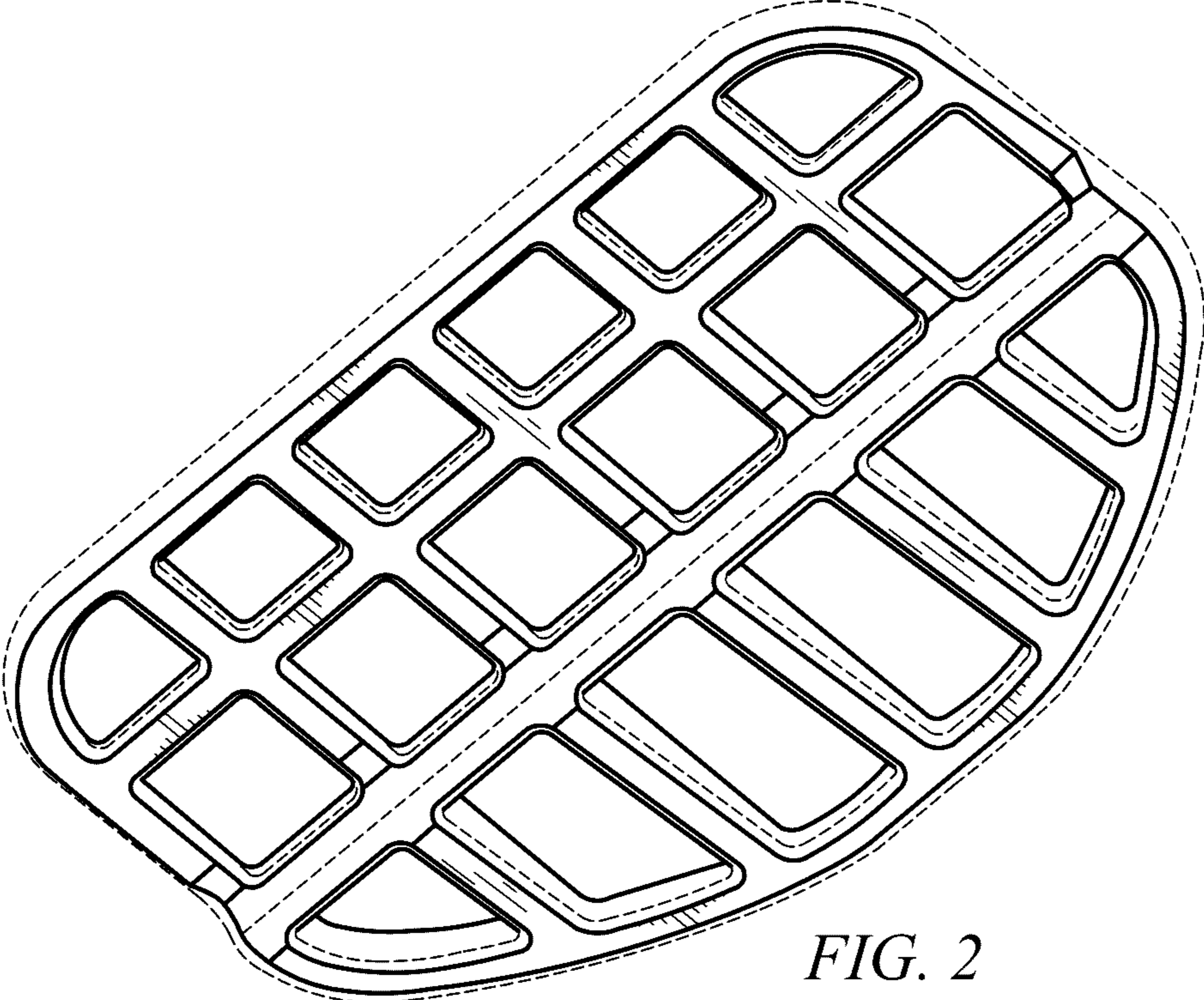


FIG. 2

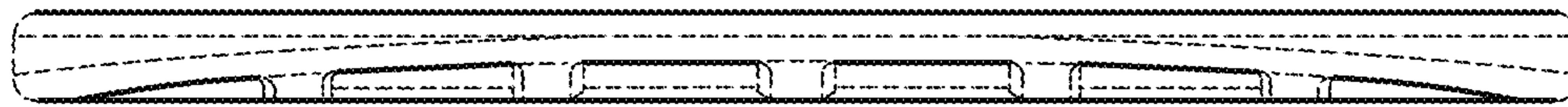


FIG. 3



FIG. 4



FIG. 5



FIG. 6



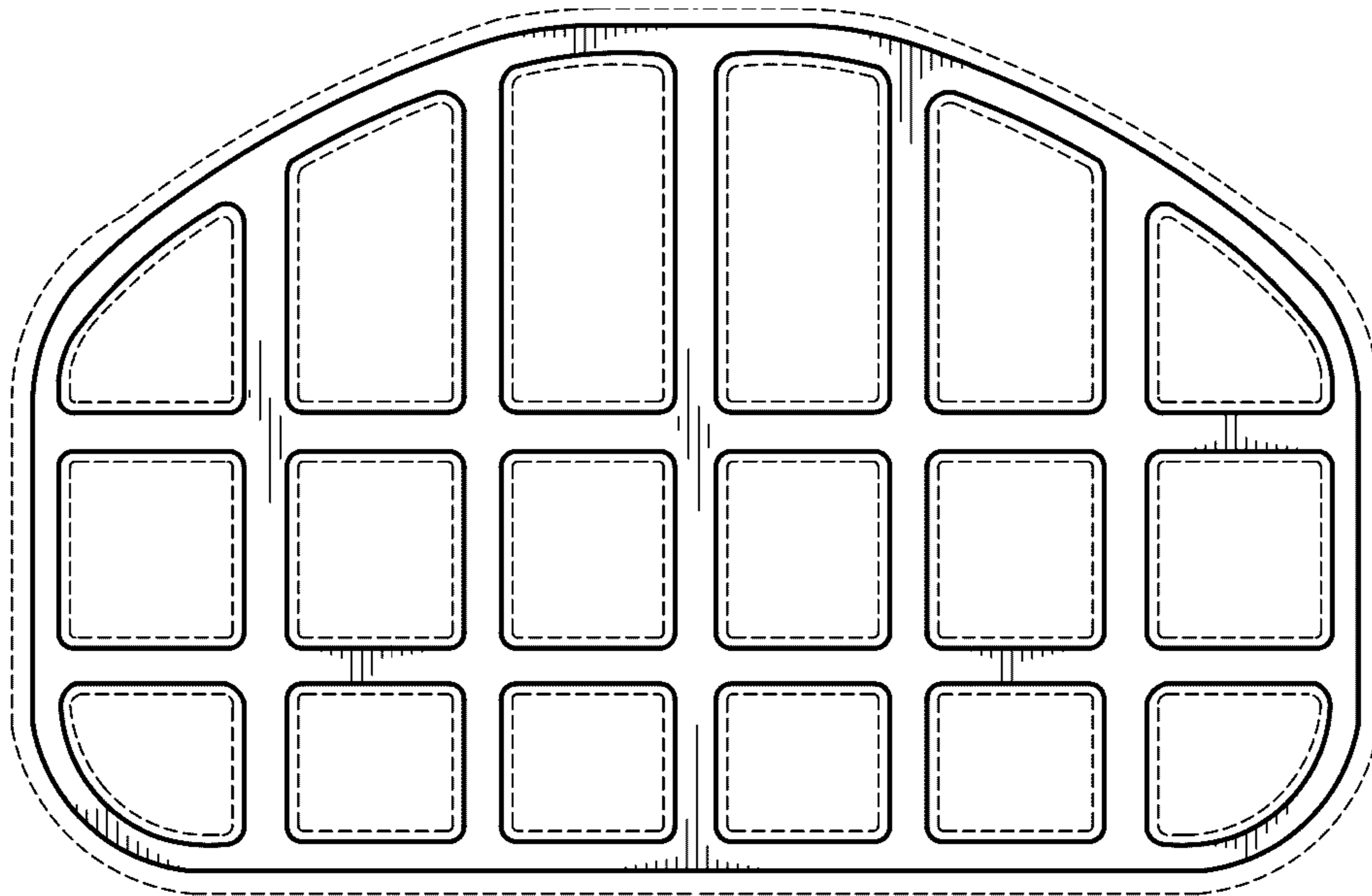


FIG. 7

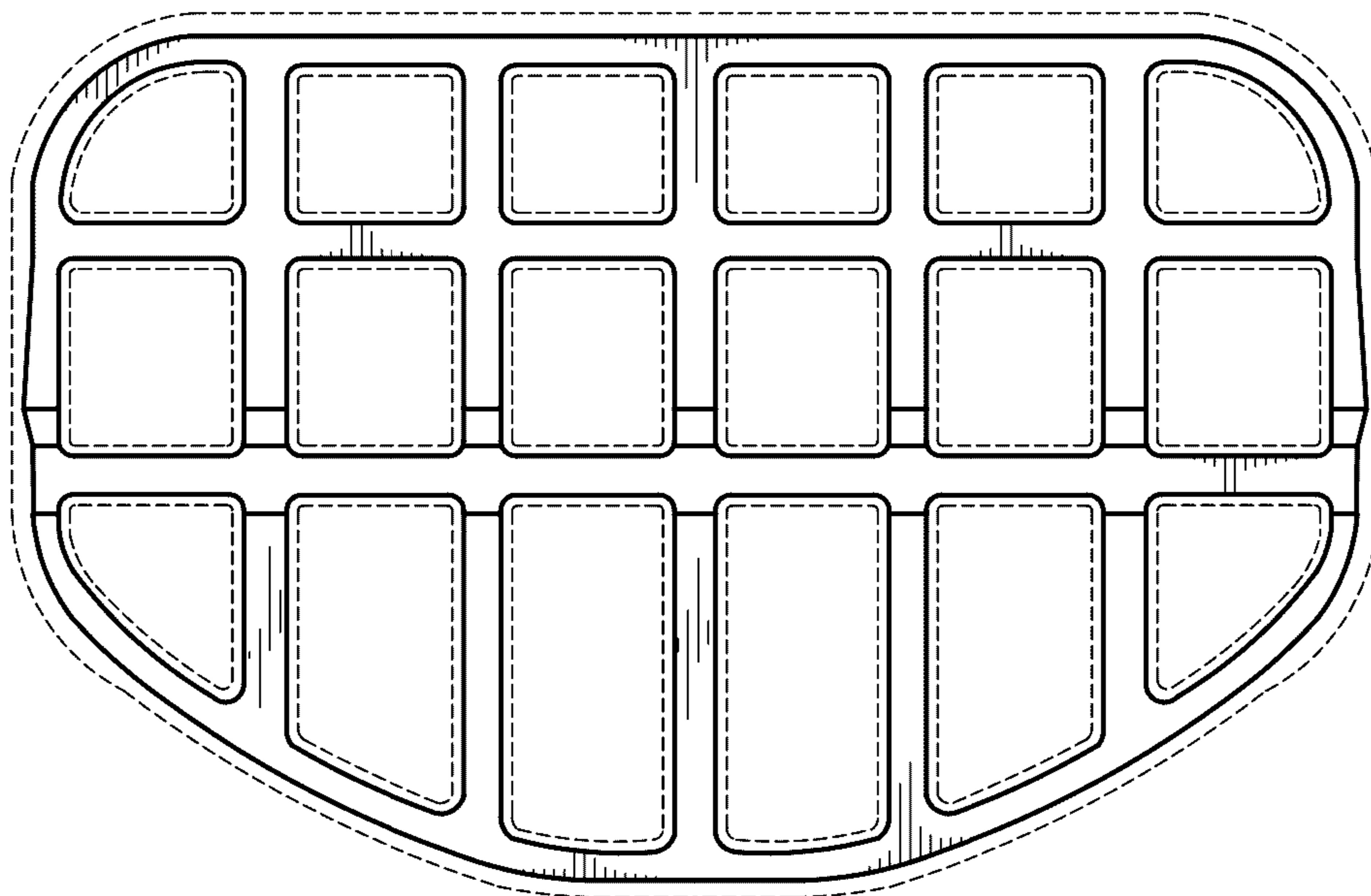


FIG. 8